



27" Double Electric Wall Oven with Fan Convection

Double Wall Oven

Available Products: FCWD2727AB, FCWD2727AS, FCWD2727AW

Available Colors: Black, Stainless Steel, White

Version: 08/22

Product Specifications

Cooking Controls

Bake	Yes
Bake Time	Yes
Broil	Yes
Cancel	Yes
Clock	Yes
Convection Bake	Yes
Cook Time	Yes
Delay Start	Yes
Keep Warm	Yes
Kitchen Timer	Yes
Light	Yes
Off	Yes
Oven Light	Yes
Preheat	Yes
Quick Preheat	Yes
Self Clean	Yes
Start	Yes
Temperature Display	Yes
Timer On / Off	Yes

Oven

Bake Element Type	Hidden
Bake Element Pass	8
Bake Element	2,500 Watts
Broil System	Yes
Broil Element Pass	6
Broil Element	4,000 Watts
Cleaning System	Yes
Convection	Yes
Convection Type	Fan
Rack Position Type	Embossed
Number of Rack Positions	5
Rack Type 1	Handle
Rack Type 1 Quantity	2
Oven Interior Color	Midnight Black
Oven Light Type	Halogen
Oven Light Quantity	1
Oven Light Watts	40 Watts
Number of Convection Fans	1

Cooking Controls Function

Change between Continuous Bake Setting or 12-Hour Energy Saving Feature	Yes
Delayed Bake	Yes
Program Fahrenheit or Celsius	Yes
Silent Control Panel	Yes

Controls

Control Lock	Yes
Sabbath Mode	Yes

Dimensions and Volume

Height	50 7/8"
Width	27"
Depth	24 3/4"
Depth With Door 90° Open	45 3/4"
Depth With Handle	27 7/16"
Lower Oven Interior Height	17"
Lower Oven Interior Width	20 1/2"
Lower Oven Interior Depth	18 3/4"
Upper Oven Interior Height	17"
Upper Oven Interior Width	20 1/2"
Upper Oven Interior Depth	18 3/4"
Maximum Cutout Height	50 1/4"
Maximum Cutout Width	25 1/4"
Minimum Cutout Height	48 7/8"
Minimum Cutout Width	24 7/8"
Oven Lower Capacity	3.8 Cu. Ft.
Oven Upper Capacity	3.8 Cu. Ft.
Total Capacity	7.6 Cu. Ft.

Installation

Power Supply Connection Location	Top Left
----------------------------------	----------

Certifications and Approvals

Star-K Certification	Yes
----------------------	-----

Display

Display Interface Color	White
Display Light Color	White
Display Type	LED
Control Location	Front

Electrical Specifications

Amps @ 240 Volts	40 Amps
Connected Load @ 240V	9 kW
Minimum Circuit Required	40 Amps
Voltage Rating	240 V

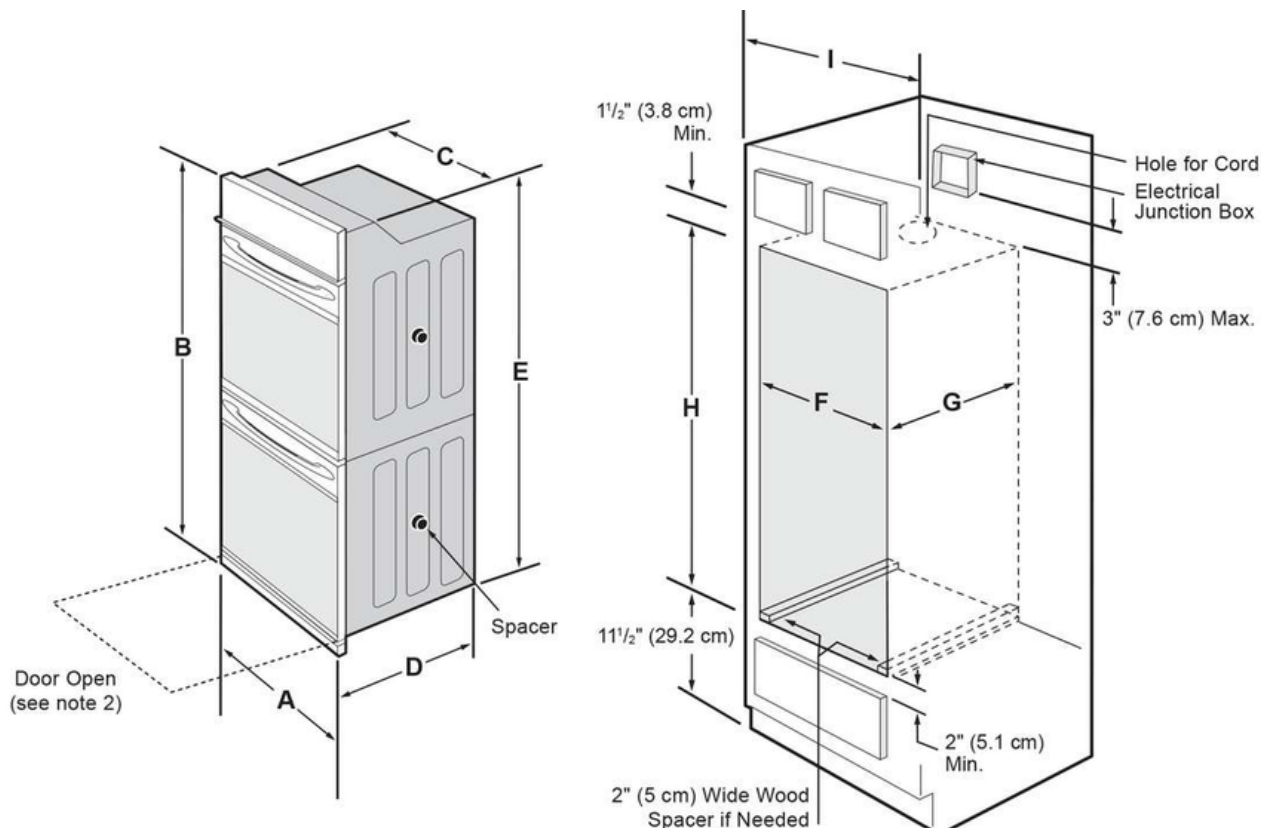
General Specifications

Prop 65 Label	Yes
Warranty - Labor	1 Year
Warranty - Parts	1 Year
Frigidaire Fit Promise	Yes

Safety Certifications and Approvals

CSA Listed	Yes
UL Listed	Yes
RoHS	Yes

Installation Diagram



NOTES:

1. Allow at least 21" (53.3 cm) clearance in front of oven for door depth when it is open.
2. Dimension G (cutout depth) is critical to the proper installation of the built-in oven. If the oven trim does not butt against the cabinet, or if noise is heard on convection models, verify dimension G to assure it is according to the required dimension.
3. For a cutout height greater than 49³/₈" (125.4) add 2" (5 cm) wide wood shims of appropriate height to each side of the opening under the appliance side rails. You can order a larger bottom trim through a service center.
4. If the junction box is below the oven, longer conduit cables are available through a service center.

PRODUCT DIMENSIONS					
A	B	C	D		E
27 (68.6)	50 ⁷ / ₈ (129.2)	24 ⁵ / ₈ (62.5)	24 ³ / ₄ (62.9)		48 ⁵ / ₈ (123.5)
CUTOUT DIMENSIONS AND CABINET WIDTH					
F		G	H. Standard Height (**Others, see note 3)		I
Min.	Max.	Min.	Min.	Max.	
24 ⁷ / ₈ (63.2)	25 ¹ / ₄ (64.1)	24 (61.0)	48 ⁷ / ₈ (124.1)	50 ¹ / ₄ (127.6)	27 ¹ / ₈ (68.9) Min