



20.0 Cu. Ft. Top Freezer Refrigerator

Top Freezer Refrigerator

Available Products: FFTR2045VB, FFTR2045VD, FFTR2045VS, FFTR2045VW

Available Colors: Black, Black Stainless Steel, Stainless Steel, White

Version: 01/24

Product Specifications

Refrigerator

Air Filter Ready	Yes
Crisper Color	Clear
Deli Drawer	Yes
Door Bin Color	Clear
Humidity Controls	Automatic
Interior Lighting	LED
Shelf Material	Glass
Number of Fixed 2 Liter Door Bins	1
Number of Fixed Gallon Door Bins	2
Number of Adjustable Shelves	2
Number of Crispers	2

Ice Maker

Ice Maker	No
Ice Maker Ready	Yes

Exterior

Door Swing	Reversible
------------	------------

Electrical Specifications

Minimum Circuit Required	15 Amps
--------------------------	---------

Certifications and Approvals

ADA Compliant	Yes
---------------	-----

Safety Certifications and Approvals

UL Listed	Yes
-----------	-----

Freezer

Automatic Defrost	Yes
Baskets / Bins Color	Clear
Shelf Material	Glass
Number of Fixed Door Bins	2
Number of Adjustable Shelves	1

Controls

Digital Display	No
-----------------	----

Dimensions and Volume

Height With Hinge	66 3/8"
Height Without Hinge	65 7/8"
Width	30"
Width of Cabinet	30"
Depth of Cabinet	28 1/4"
Depth With Door	32"
Depth With Door 90° Open	58 5/8"
Depth With Door and Handle	32"
Freezer Capacity	5.4 Cu. Ft.
Fresh Food Capacity	14.6 Cu. Ft.
Total Capacity	20 Cu. Ft.

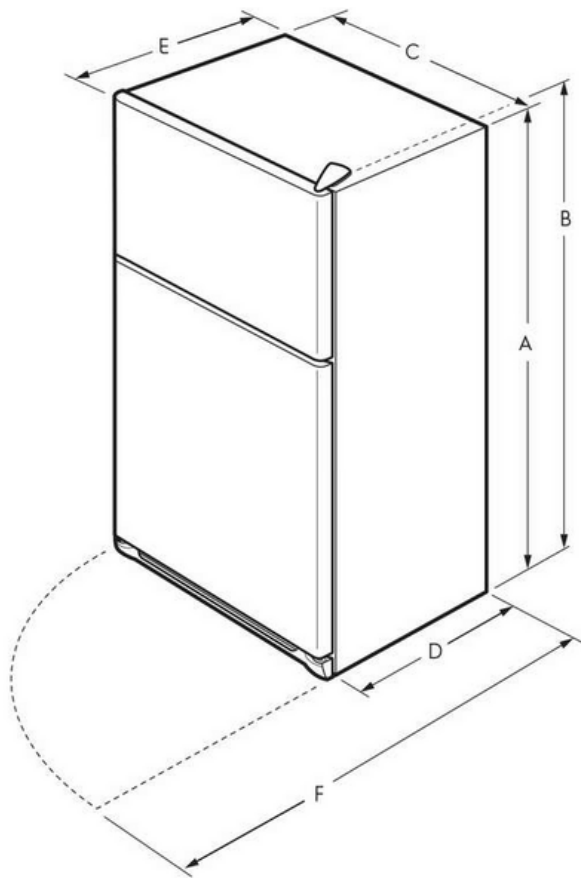
General Specifications

Annual Energy	427 kWh
Refrigerant Type	R-600A
Warranty - Labor	1 Year
Warranty - Parts	1 Year

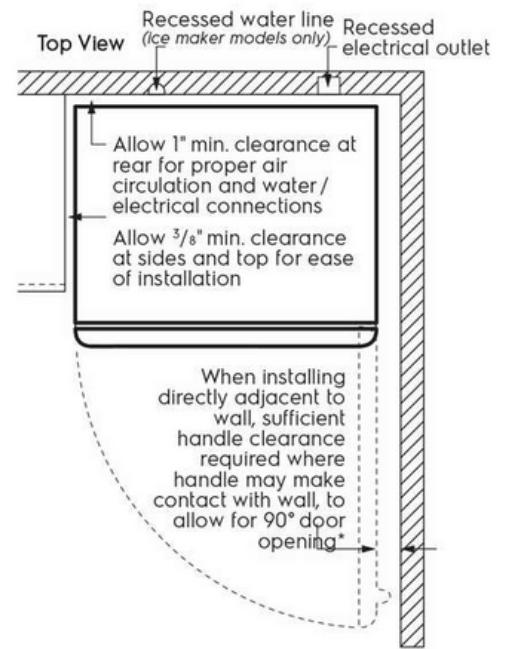
Performance Certifications and Approvals

ENERGY STAR Certified	No
-----------------------	----

Installation Diagram



A	65 ⁷ / ₈ "
B	66 ³ / ₈ "
C	30"
D	28 ¹ / ₂ "
E	32"
F	58 ⁵ / ₈ "



* When installing refrigerator adjacent to wall, cabinet or other appliance that extends beyond front edge of unit, 20" minimum clearance recommended to allow for optimum 140° door swing, providing complete crisper access and removal. (Absolute 3" minimum clearance will ONLY allow for 90° door swing which will provide limited crisper access with restricted removal.)