



## 5 SERIES WARMING DRAWER

Viking 5 Series – VWD

### PROFESSIONAL FEATURES

- Temperature settings from 90 to 250°F accommodate all types of food
  - Low setting is ideal for plate warming or bread proofing
  - High setting keeps soups and sauces piping hot
- Large drawer capacity
  - 27"W. model: 19-1/8"W. x 5-1/2"H. x 20-1/4"D.
  - 30"W. model: 22-1/8"W. x 5-1/2"H. x 20-1/4"D.
- Entire drawer is easily removable for cleaning
- Versatile moisture-selector control regulates amount of moisture released from drawer
  - Adjustments can be made without opening the drawer and affecting the interior temperature and humidity – open vent to keep foods crisp; close vent to keep foods moist
- Shipped with two removable stainless steel low racks and removable stainless steel moisture cup
  - Low racks cover entire bottom of pan for the largest loads or remove one section for half coverage
  - Moisture cup holds water to increase interior humidity
- Powerful 475-watt heating element
- Power “on” indicator light cycles on and off with heating element



### COMMERCIAL CONSTRUCTION AND DESIGN

- Commercial-type size and styling
- Heavy-duty drawer handle and perimeter trim
- Stainless steel roller-bearing glides for smooth drawer operation
- Large, easy-to-read, commercial-type knob (hidden when door is closed)

### INSTALLATION OPTION

- Can be installed flush to the cabinet with no separate accessory needed

### MODEL NUMBERS

- VWD527 – 27"W. Warming Drawer
- VWD530 – 30"W. Warming Drawer

### COLOR FINISHES

- Stainless Steel (SS) and White (WH)



- Available in 14 exclusive color finishes Alluvial Blue (AB), Arctic Gray (AG), Black Forest Green (BF), Bywater Blue (BW), Cast Black (CS), Cypress Green (CY), Damascus Gray (DG), Frost White, (FW) Kalamata Red (KA), Pacific Gray (PG), Reduction Red (RE), Slate Blue (SB), San Marzano Red (SM), Vanilla Cream (VC)



### WARRANTY

- 2-year full – complete product
- 90-day full – cosmetic parts such as glass, painted items and decorative items
- 5-year limited – electric heating elements

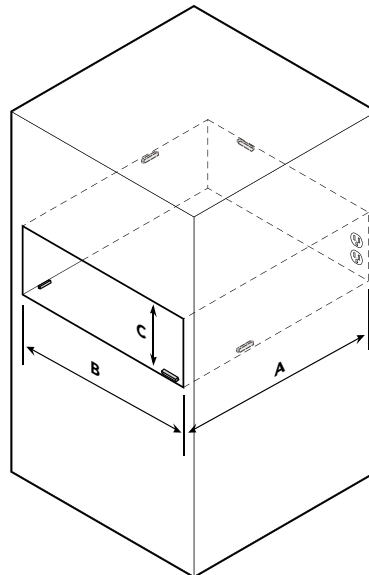
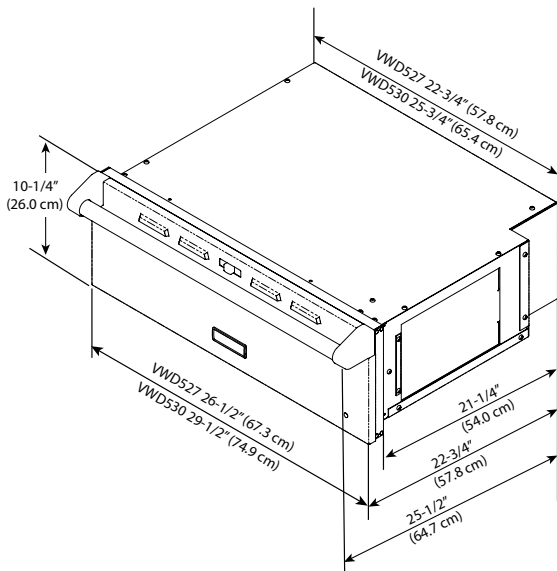


# 5 SERIES WARMING DRAWER

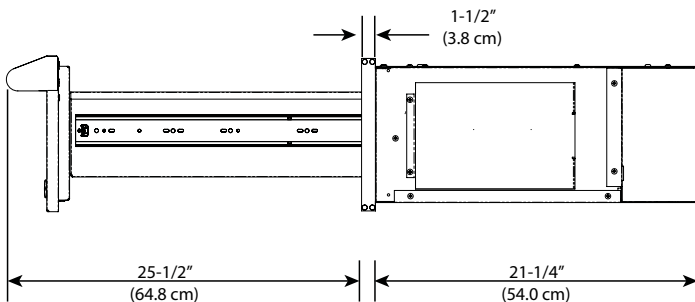
Viking 5 Series – VWD

ELECTRIC WARMING DRAWERS		
DESCRIPTION	VWD527	VWD530
Overall Width	26-1/2" (67.3 cm)	29-1/2" (74.9 cm)
Overall Height	10-1/4" (26.0 cm)	
Overall Depth from Rear	To end of handle – 25-1/2" (64.8 cm) With drawer fully extended – 48-1/4" (122.6 cm)	
Electrical Requirements	120V/15 amp power cord included with the unit	
Maximum Amp Usage	4.08 amps	
Interior Dimensions	Width – 19-1/8" (48.6 cm) Height – 5-1/2" (14.0 cm) Depth – 20-1/4" (51.4 cm)	Width – 22-1/8" (56.1 cm) Height – 5-1/2" (14.0 cm) Depth – 20-1/4" (51.4 cm)
Approximate Shipping Weight	80 lb. (36 kg)	90 lb. (40.5 kg)

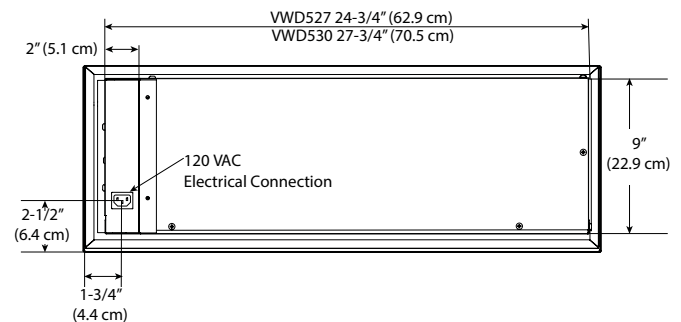
Please do not prepare installation from brochure data only. See installation instructions for important clearance/installation information.



	VWD527	VWD530
<b>Standard Mount</b>		
A	23-1/2" (59.7 cm)	23-1/2" (59.7 cm)
B	25-1/4" (64.1 cm)	28-1/4" (71.7 cm)
C	9-1/4" (23.5 cm)	9-1/4" (23.5 cm)
<b>Flush Mount</b>		
A	24-7/8" (63.2 cm)	24-7/8" (63.2 cm)
B	26-3/4" (67.9 cm)	29-3/4" (75.6 cm)
C	10-1/2" (26.7 cm)	10-1/2" (26.7 cm)



SIDE VIEW



REAR VIEW



VIKING RANGE, LLC 111 FRONT STREET GREENWOOD, MISSISSIPPI 38930 USA

For detailed product information, model numbers, or to request a quote call 1-888-845-4641 or visit [vikingrange.com](http://vikingrange.com)  
© 2023 Viking Range, LLC All rights reserved. Specifications subject to change without notice.