



30" AND 36"W. BUILT-IN OUTDOOR GAS GRILLS

Viking 5 Series – VQGI

COMMERCIAL-TYPE COOKING POWER AND FEATURES

- Large grilling surface
 - 30"W. Model - 840-sq.-in. cooking surface (600 primary, 240 secondary)
 - 36"W. Model - 935 sq. in. cooking surface (640 primary, 295 secondary)
- 25,000 BTU Cast brass burners
 - 30" W. Model – 1 burner
 - 36"W./42"W. Models – 2 burners
- 23,000 BTU ProSear Burner
- Dual-position rotisserie with heavy-duty, 3-speed motor and rear infrared burner (14,000 BTU)
- Control illumination with blue LEDs
- Hot surface ignition system
- Dual halogen grill surface lights
- Temperature gauge
- Premium smoker box included
- Stainless steel grilling grates
- Ceramic Briquettes facilitate even radiant heat distribution



30" WIDE GAS GRILL



36" WIDE GAS GRILL

EASY MAINTENANCE AND CLEANUP

- Full-width, pull-out drip tray
- Stainless steel rollers allow drip tray to pull out easily and remain level when fully extended
- Heavy-duty welded construction eliminates gaps where grease and moisture can collect

MODEL NUMBERS

- VQGI5301SS* – 30" W. Outdoor Gas Grill
- VQGI5361SS* – 36" W. Outdoor Gas Grill
- Also available in 42" and 54"W. models

*Specify natural (N) or LP/propane (L) gas

ACCESSORIES

- VIJ30 – Insulated Jacket for 30" Grill
- VIJ36 – Insulated Jacket for 36" Grill
- WGO300 – Wind Guard for 30" Grill
- WGO360 - Wind Guard for 36" Grill
- CQ530BI – Carbon Fiber Grill Cover for 30" Grill
- CQ536BI – Carbon Fiber Grill Cover for 36" Grill

COLOR FINISHES

- Available in Stainless Steel (SS)



WARRANTY

- 1-year full – complete product
- 90-day full – cosmetic parts such as glass, painted items and decorative items
- 5-year limited – stainless steel burner assembly, ceramic pro sear burner, electric warming drawer element, grill grate, side/power burner grate, or briquette tray



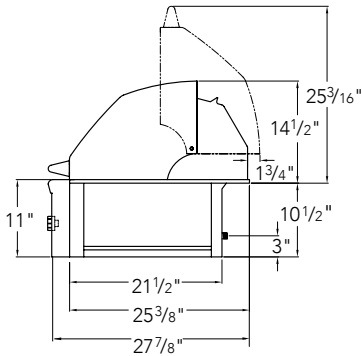
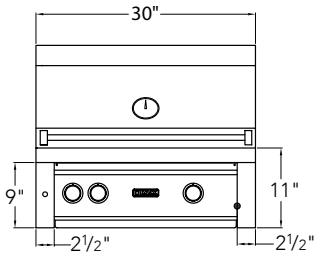
30" AND 36"W. BUILT-IN OUTDOOR GAS GRILLS

Viking 5 Series – VQGI

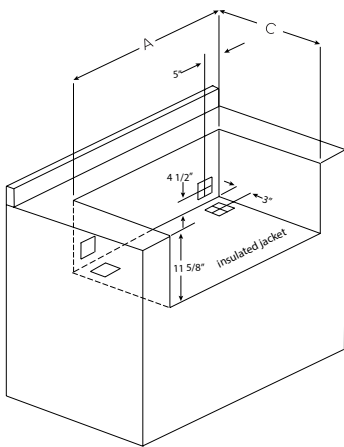
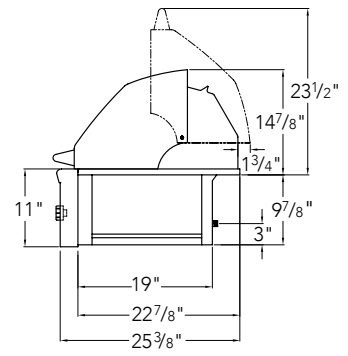
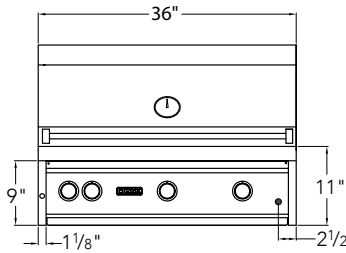
GAS GRILLS		
DESCRIPTION	VQGI5301(N/L)SS	VQGI5361(N/L)SS
Overall Width	30" (76.2 cm)	36" (91.4 cm)
Overall Depth	27-7/8" (70.8 cm)	25-3/8" (64.5 cm)
Cutout Width	29" (73.7 cm)	35" (88.9 cm)
Cutout Height	10-7/8" (27.6 cm)	10-1/8" (25.7 cm)
Cutout Depth	24-1/2" (62.2 cm)	22" (55.9 cm)
Gas Requirements	Natural: standard residential 3/4" (1.9 cm) ID gas service line. LP/Propane: Equipped with high-capacity hose/regulator assembly for connection to standard 5 gal., 20 lb. LP/Propane gas cylinder with a Tybe 1, QCC-1 connector or standard residential 3/4" (1.9 cm) ID gas service line.	
Electrical Requirements	120VAC/60Hz – 6' (182.9 cm) power supply cord with 3-prong grounded plug	
Maximum Amp Usage	1.5 amps	
Grill Burner Rating	1 H Burner - 25,000 BTU; 1 ProSear burner - 23,000 BTU	2 H Burners - 25,000 BTU each; 1 ProSear Burner - 23,000 BTU
Rotisserie Burner Rating	14,000 BTU	
Approximate Shipping Weight	241 lbs. (109.2 kg)	291 lbs. (132 kg)

Please do not prepare installation from brochure data only. See installation instructions for important clearance/installation information.

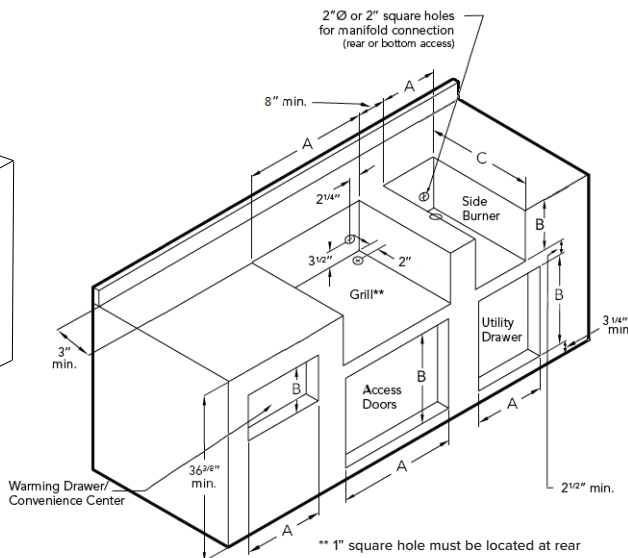
30"W. GAS GRILL



36"W. GAS GRILL



4" square holes for gas and electrical connections both left and right sides (rear or bottom access). Make these holes in the frame based on your requirements. 120V GFI outlet must be located within 6' of the 4" hole. If using a countertop with overhang a 9/16" notch is required.



** 1" square hole must be located at rear of grill cutout. 120V GFI outlet must be located within 6' of the 1" hole.

	A	B	C
Grills			
VQGI5301	29"	10.88"	24.5"
VQGI5361	35"	10.13"	22"
Side Burners			
VQGSB5131	12.13"	10.63"	24.5"
VQGPB5201	19"	10.63"	22"
Warming Drawers			
VQEWD5301	28.5"	10"	20.5"
VQEWD4201	40.25"	19.38"	24.5"
With Insulated Jacket Installed			
VIJ5301	36"	11.63"	26.4"
VIJ5361	42"	11.63"	24"

IMPORTANT

Cutout dimensions will be different when installing next to combustible materials and using a VIJ insulated jacket kit (sold separately).



VIKING RANGE, LLC 111 FRONT STREET GREENWOOD, MISSISSIPPI 38930 USA

For detailed product information, model numbers, or to request a quote call 1-888-845-4641 or visit vikingrange.com

© 2023 Viking Range, LLC All rights reserved. Specifications subject to change without notice.

