

JTD500DN/BN/EN/FN/SN

GE® 30" Smart Built-In Self-Clean Convection

Double Wall Oven with Never Scrub Racks

DIMENSIONS AND INSTALLATION INFORMATION

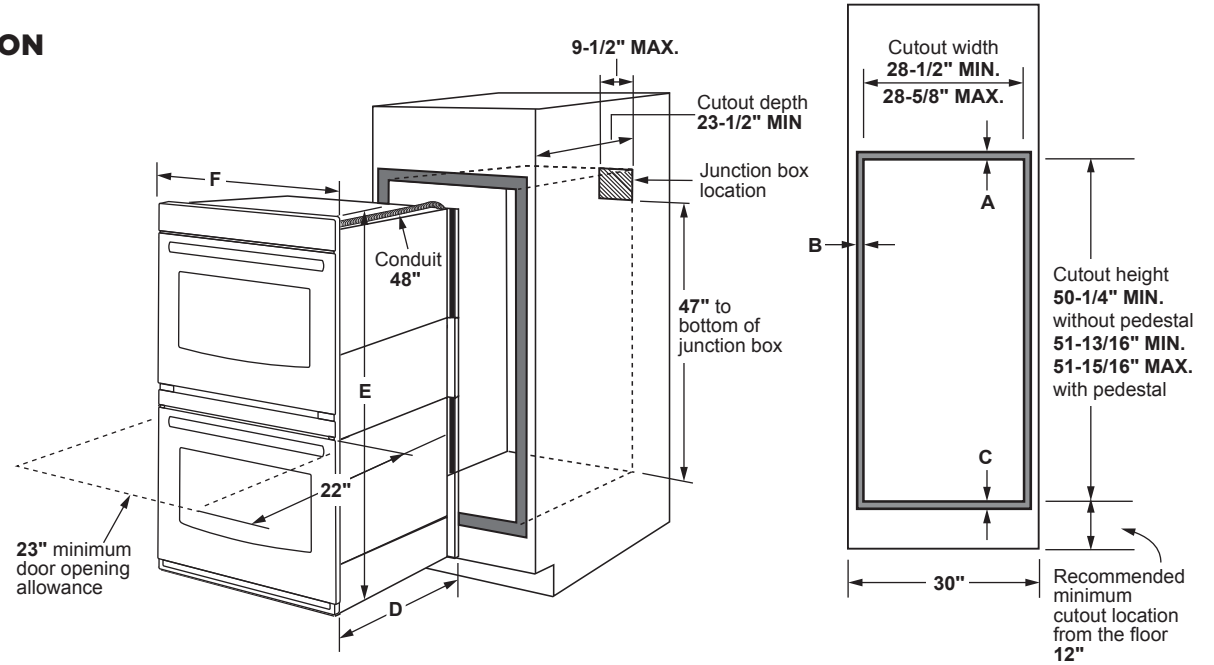
NOTE: Wall coverings, countertops and cabinets surrounding the wall oven must be able to withstand a temperature of up to 200°F (94°C).

NOTE: If the cabinet in which the wall oven is installed does not have a solid bottom, two braces or runners must be installed to support the weight of the oven. The runners and braces must support up to 400 lbs (181 kg).

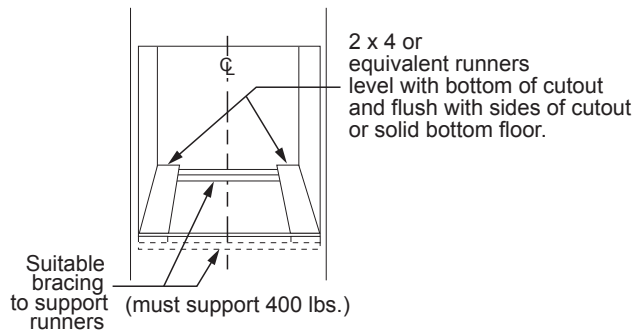
NOTE: Door handle protrudes 3" from door face. Cabinets and drawers on adjacent 45° and 90° walls should be placed to avoid interference with the handle.

ATTENTION INSTALLER: Electric wall ovens are NOT approved for installation with a plug and receptacle. They must be hard wired into an approved junction box.

IMPORTANT: Before installing, consult installation instructions packed with product for current dimensional data.



KW RATING	
240V	8.4
208V	6.3
BREAKER SIZE	
240V	40 Amps
208V	40 Amps



JTD5000	
Cabinet	30"
A - Overlap of oven at top of cutout	1"
B - Overlap of oven other side of edge of cutout	3/4"
C - Overlap of oven at bottom of cutout	1-1/4"
Oven	
D - Install depth	23-1/2"
E - Overall height with trim	53"
F - Overall width	29-3/4"



For answers to your GE Profile™ Series or GE Appliances product questions, visit our website at geappliances.com or call GE Answer Center® Service, 800.626.2000.



Listed by Underwriters Laboratories



JTD500DN/BN/EN/FN/SN

GE® 30" Smart Built-In Self-Clean Convection Double Wall Oven with Never Scrub Racks

DIMENSIONS AND INSTALLATION INFORMATION

NOTE: 30" Double electric wall ovens are approved for installation above 27" and 30" warming drawers.

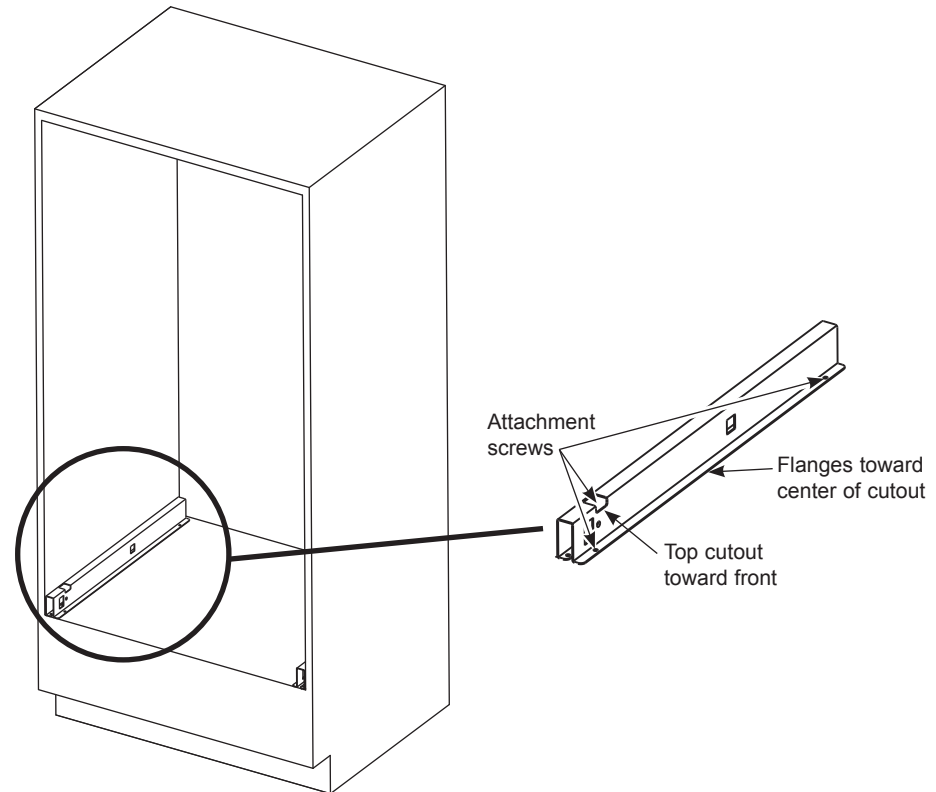
ATTENTION INSTALLER: Electric wall ovens are NOT approved for installation with a plug and receptacle. They must be hard wired into an approved junction box.

IMPORTANT: Before installing, consult installation instructions packed with ALL products for current dimensional and combination data.

WHEN TO USE THE PEDESTAL RAILS: When replacing an older GE Appliances 30" double wall oven with a new GE Appliances model. Cutout Height = 51-13/16" to 51-15/16". This is our traditional cutout height.

WHEN NOT TO USE THE PEDESTAL RAILS: When replacing a 30" double wall oven from another manufacturer (ie; Whirlpool) with a new GE Appliances model. Cutout height = 50-1/4". You will need to verify that the existing cutout matches the 50-1/4" dimension.

If the new GE Appliances 30" double wall oven is being installed into new construction (ie; not a replacement), then the recommended installation is to use the pedestal rails.



For answers to your GE Profile™ Series or GE Appliances product questions, visit our website at geappliances.com or call GE Answer Center® Service, 800.626.2000.

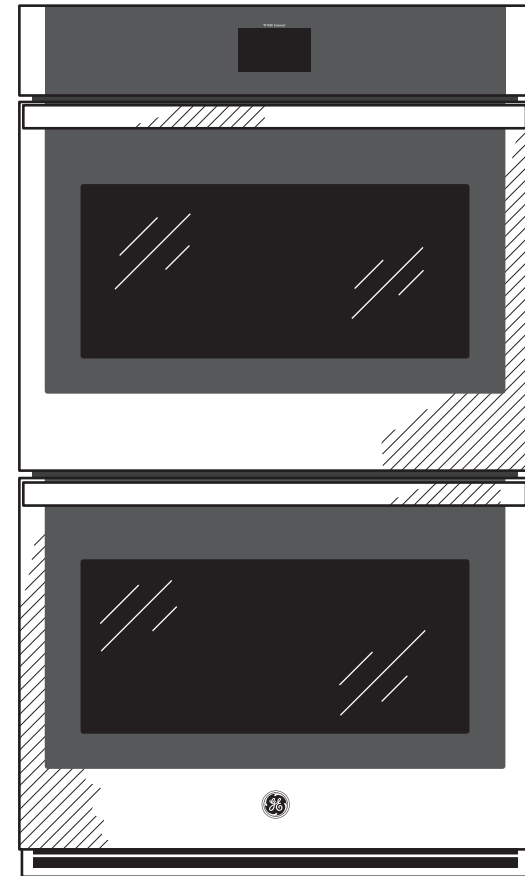
Specification Revised 6/20

JTD5000DN/BN/EN/FN/SN

GE® 30" Smart Built-In Self-Clean Convection Double Wall Oven with Never Scrub Racks

FEATURES AND BENEFITS

- True European Convection
- Anywhere control with remote notifications
- Remote temperature probe
- Self-clean with optional Steam Clean
- Never-scrub, heavy-duty smooth glide roller racks
- Never-scrub, heavy-duty racks
- Hidden backlit LCD control
- 10-pass hidden bake element
- 8-pass broil element
- Fit Guarantee
- Model JTD5000DNBB – Black
- Model JTD5000DNWW – White
- Model JTD5000BNTS – Black Stainless
- Model JTD5000ENES – Slate
- Model JTD5000FNDS – Black Slate
- Model JTD5000SNSS – Stainless Steel



FIT GUARANTEE

Replacing a similar wall oven from GE Appliances or another brand? GE wall ovens are guaranteed for an exact fit or GE Appliances will pay up to \$300 toward modifications.

Visit geappliances.com for more info

