



XOU24WDZGO

24" PANEL READY UNDERCOUNTER
DUAL-ZONE WINE COOLER

24" PANEL READY DUAL ZONE WINE COOLER



XOU24WDZGO

- Racks Fully Extend While Loaded
- Dual Zone Stores White And Red Wine At Different Temperatures
- Tri-Color Led Lighting
- Secure Lock For Each Door

24" UNDERCOUNTER WINE COOLER with OVERLAY FRAME DOOR

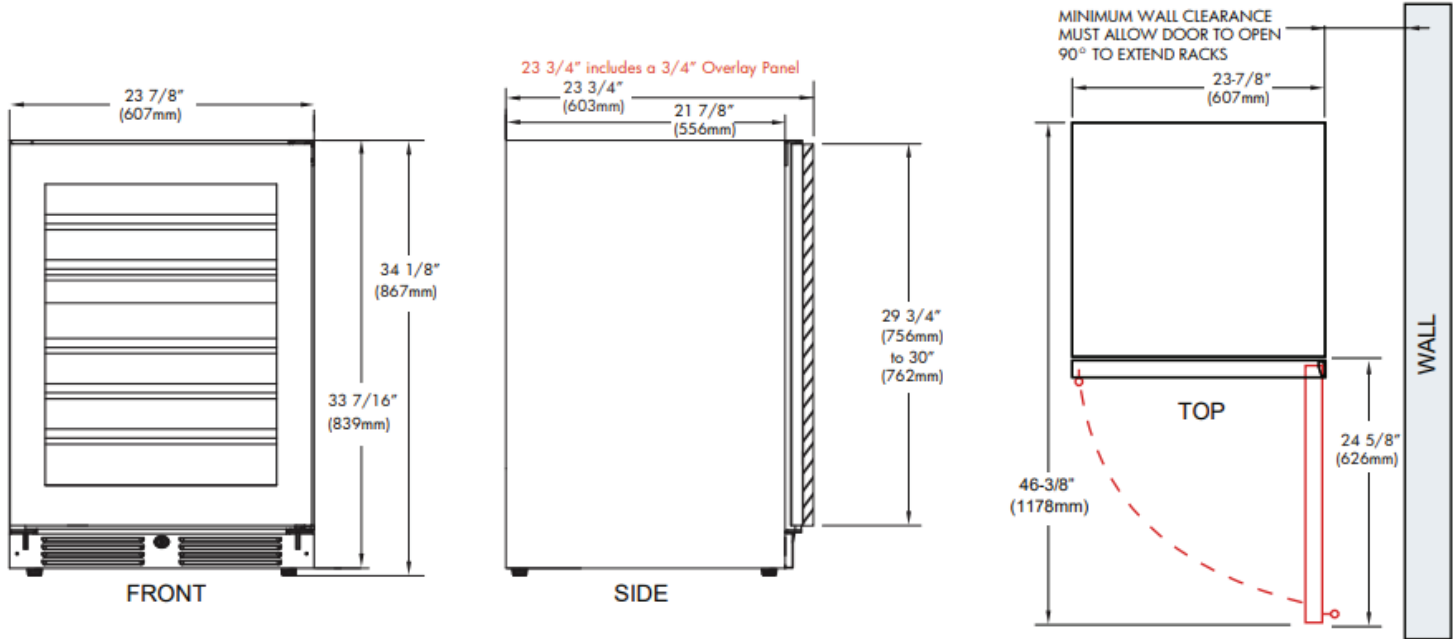
Keep 16 bottles ready to serve in the upper zone at 41° to 50° while you store 30 bottles in the lower zone at 50° to 64° . This elegant, efficient wine storage and serving center is the perfect choice for convenient entertaining. Both red and white wines are close at hand with this quiet, undercounter unit.

The XO Dual Zone Wine Cooler gives you the best of both worlds.

WORLD CLASS SERVICE | COMPREHENSIVE WARRANTIES

OUR LASTING COMMITMENT TO YOU

*Specify **R** for right hand hinge - or - **L** for left hand hinge



FEATURES

CAPACITY

Full extension smooth glide racks hold:
 (16) 750ml bottles upper section at 41° to 50° F
 (30) 750ml bottles lower section at 50° to 64° F

FEATURES

- Zero clearance hinges for flush integration*
- Secure door lock
- Non- reversible door - specify right or left hinge
- Library quiet 39 dBA operation
- Elegant tri-color interior illumination
- Intuitive digital touch controls
- 6-1/2' Power Cord with low profile 90° flat plug
- Low E Glass blocks harmful UV light
- Alarm Functions
- Energy Saver and Sabbath Mode

* Note: zero clearance hinges are visible just above and below the door panel

XO the next level
in luxury appliances

xoappliance.com | 800.966.8300

SPECIFICATIONS

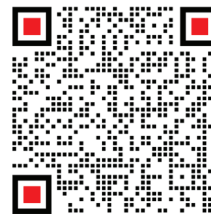
ELECTRICAL 120V 60HZ 4.35 AMP*

DIMENSIONS
 H 34 1/8"
 W 23 7/8"
 D 23 3/4" (w 3/4" finish panel)

PRODUCT WEIGHT 125 lbs

ROUGH IN
 H 34 1/4" min
 W 24"
 D 24"

REFRIGERANT R600A

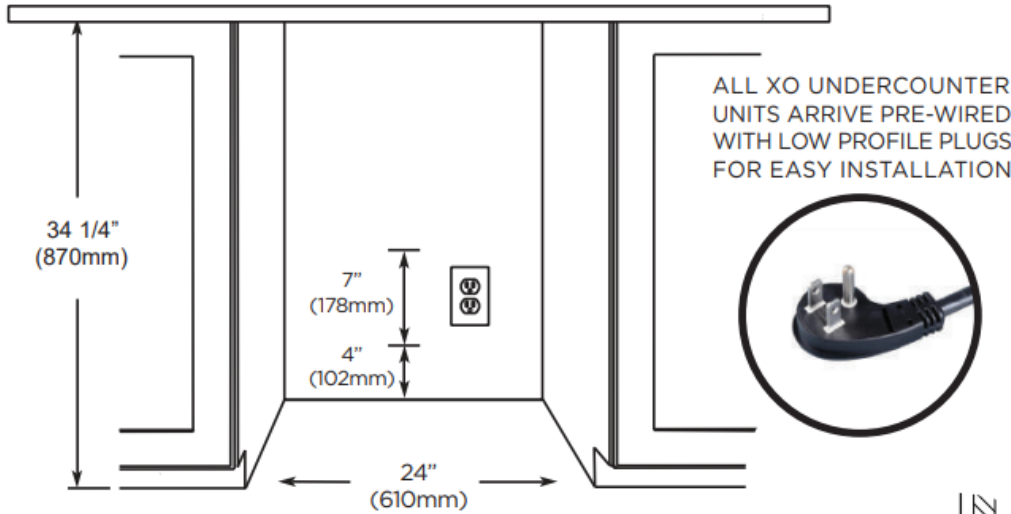


Scan the QR Code to see the installation video.

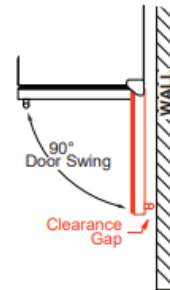
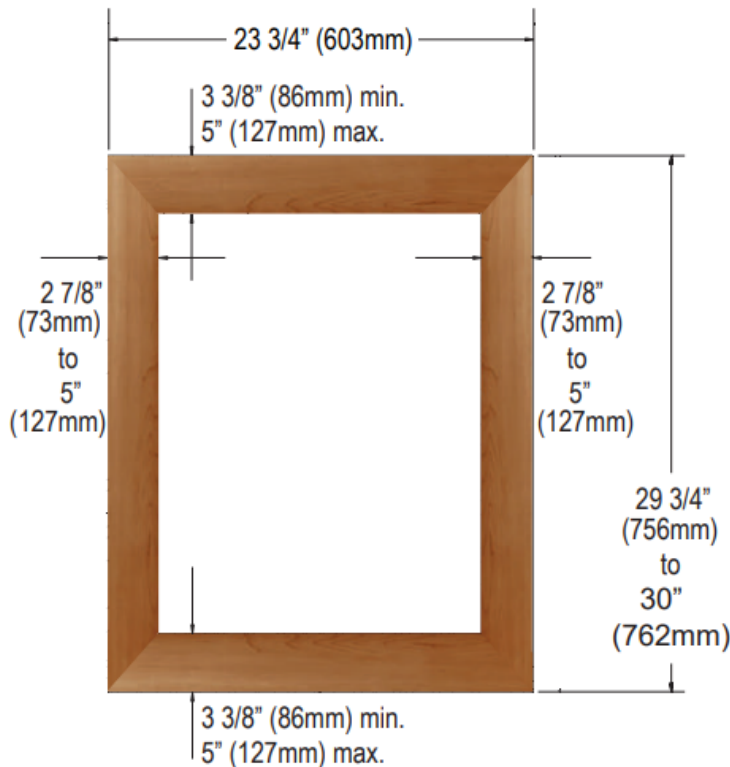


XO is exclusively distributed by
 EASTERN MARKETING CORP.
 24 Eisenhower Parkway
 Roseland, NJ 07068

ROUGH IN DIMENSIONS

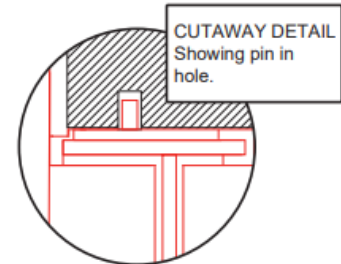


OVERLAY FRAME DIMENSIONS

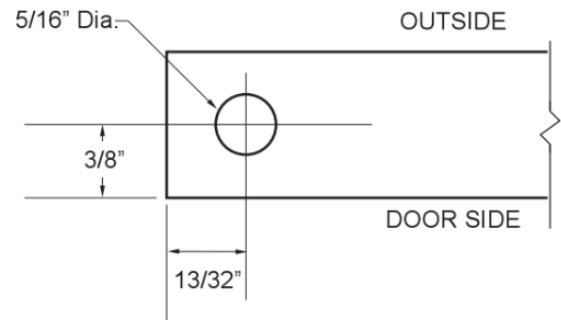


WHEN INSTALLING WITH THE HINGE SIDE NEXT TO A WALL - LEAVE ADEQUATE SPACE FOR CABINET HANDLES

DOOR MUST BE ABLE TO OPEN A MINIMUM OF 90°.



TO ACCOMMODATE THE HINGE PINS ON THE HINGE SIDE OF THE PANEL DRILL A HOLE AT LEAST 5/16" IN DIAMETER AND 1" DEEP INTO THE TOP AND BOTTOM OF THE FRAME IN THE LOCATION SHOWN.



THE DOOR STOP IS SET AT 110° BUT CAN BE RESET TO 90° OR 140°.

IF THE DOOR CANNOT OPEN FULLY YOU CANNOT EXTEND THE RACKS.