



Installation Instructions

One-Piece Deep Wall Sleeve

For Use with Packaged Terminal Units

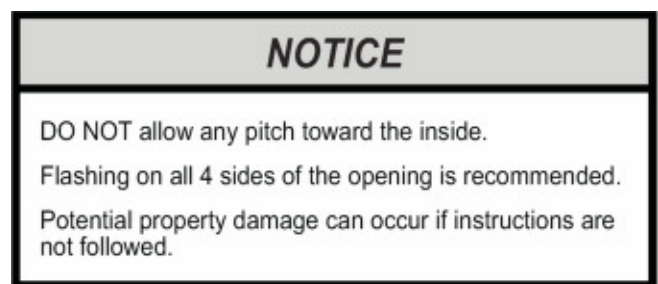
Please read these instructions completely before attempting installation.

NOTE: Ensure that the unit is only installed in a wall structurally adequate to support the unit including the sleeve, chassis and accessories. If the sleeve projects more than 8" into the room, a subbase or other means of support **MUST** be used.

Contents:

1. 4 #10x1 Sheet Metal Screws
2. 4 Nut, Speed U
3. 1 Weatherboard

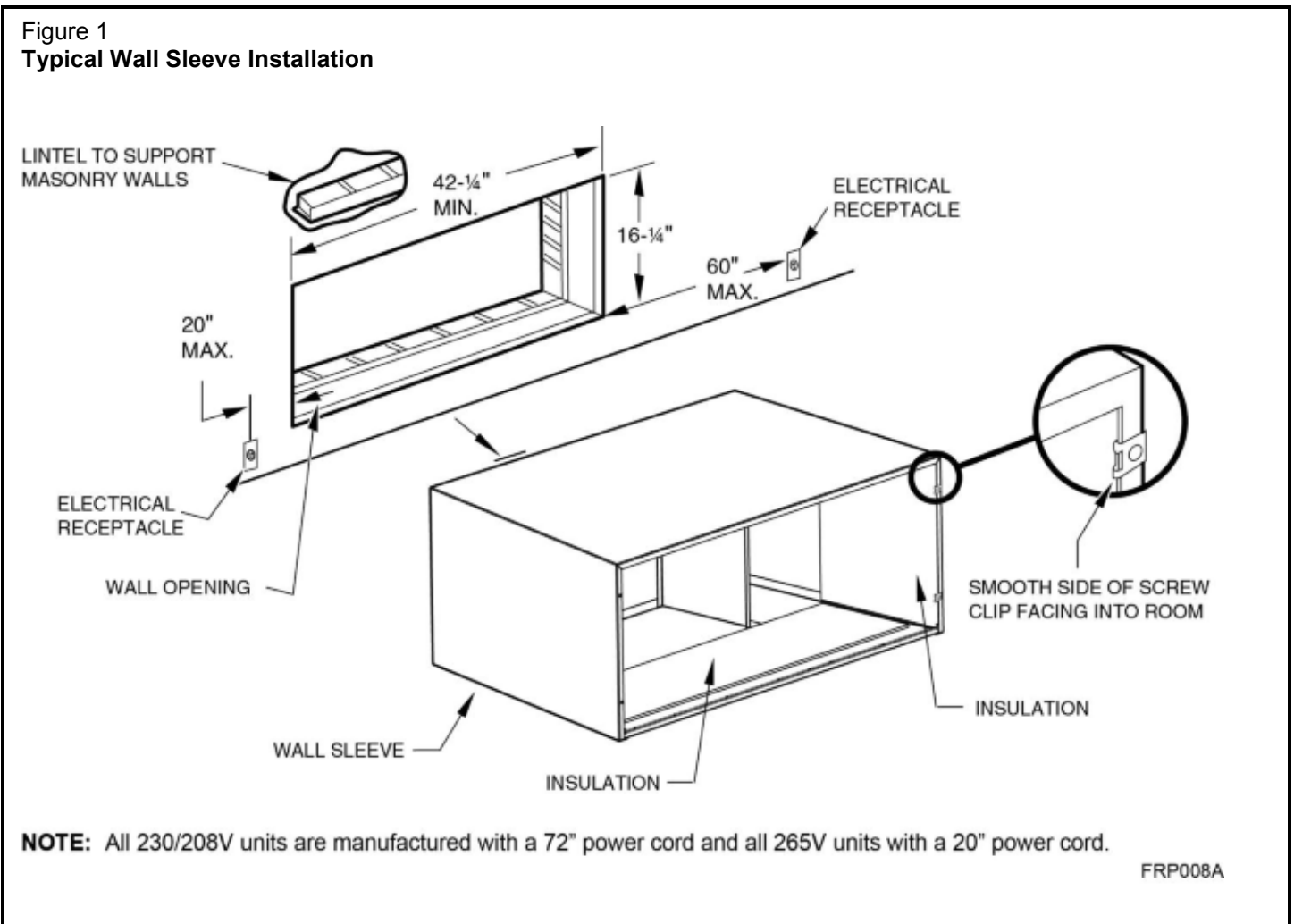
Tools Required: Screwdriver



- Step 1.** The PXDR10 Drain Kit (optional for new construction), if applicable, must be installed before the wall sleeve is installed into the wall. See Figure 6.
- Step 2.** The External Drain (for new construction or unit replacement), if applicable, must be installed before the wall sleeve is installed in the wall. See Figure 7.
- Step 3.** From inside the building, position the wall sleeve in the opening and push it into the wall until it protrudes at least 1/4" on the outside. Do not allow sleeve to be pulled. See Figure 6.
- Step 4.** Position the wall sleeve with a slight tilt towards the outside to facilitate condensate drainage. It should be level side-to-side and the front should be 1/4" bubble than the back.
- Step 5.** Drill two 3/16" holes through each side of the sleeve approximately 4" from top and 4" from bottom of sleeve. Screw four #10 x 1" screws (included) or appropriate fasteners for your installation, through the holes in the sides of the wall sleeve.
- Step 6.** Apply sealant around the wall sleeve where it projects through the inside and outside wall surfaces. Apply the sealant to the screw heads or the tops of the fasteners used in Step #5.



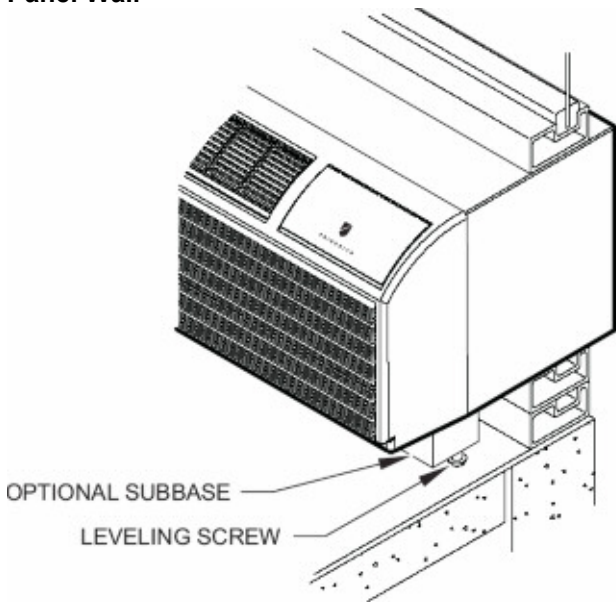
- Step 7.** If the chassis and exterior grille are to be installed later, leave the weatherboard and center support in place, otherwise remove and dispose of them.
- Step 8.** Provide a support lintel if the wall sleeve is installed in a concrete or masonry wall. See Figure 5.





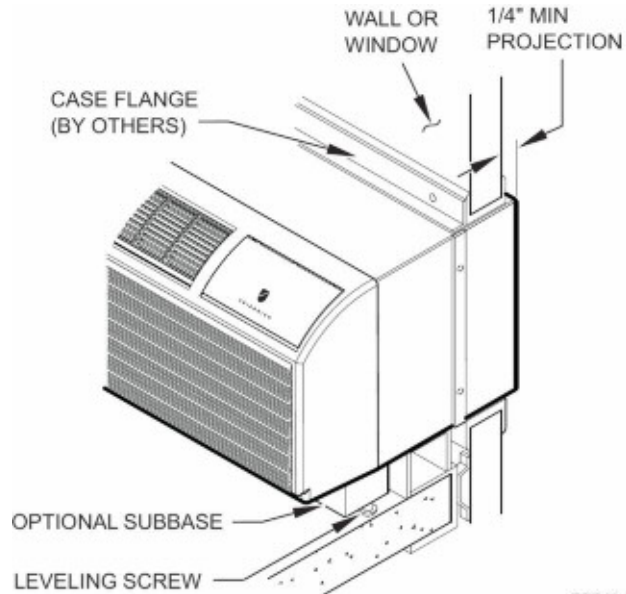
Alternate Wall Installation

Figure 2
Panel Wall



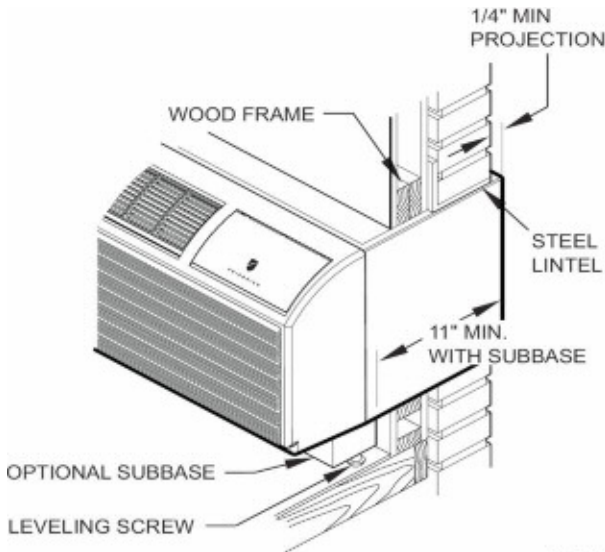
FRP003

Curtain Wall



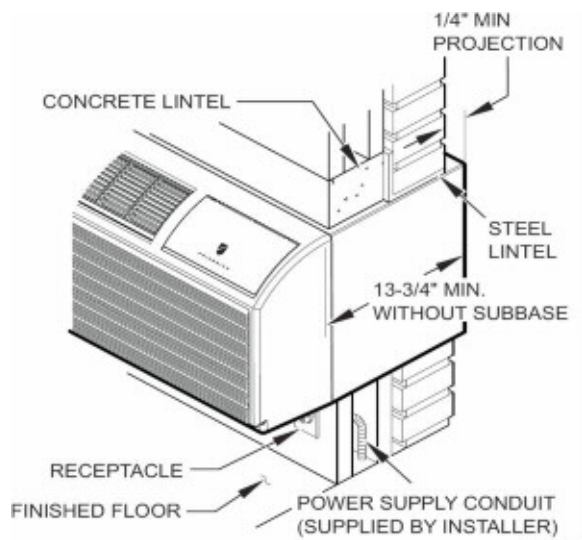
FRP004

Frame and Brick Veneer



FRP005

Block and Brick Veneer

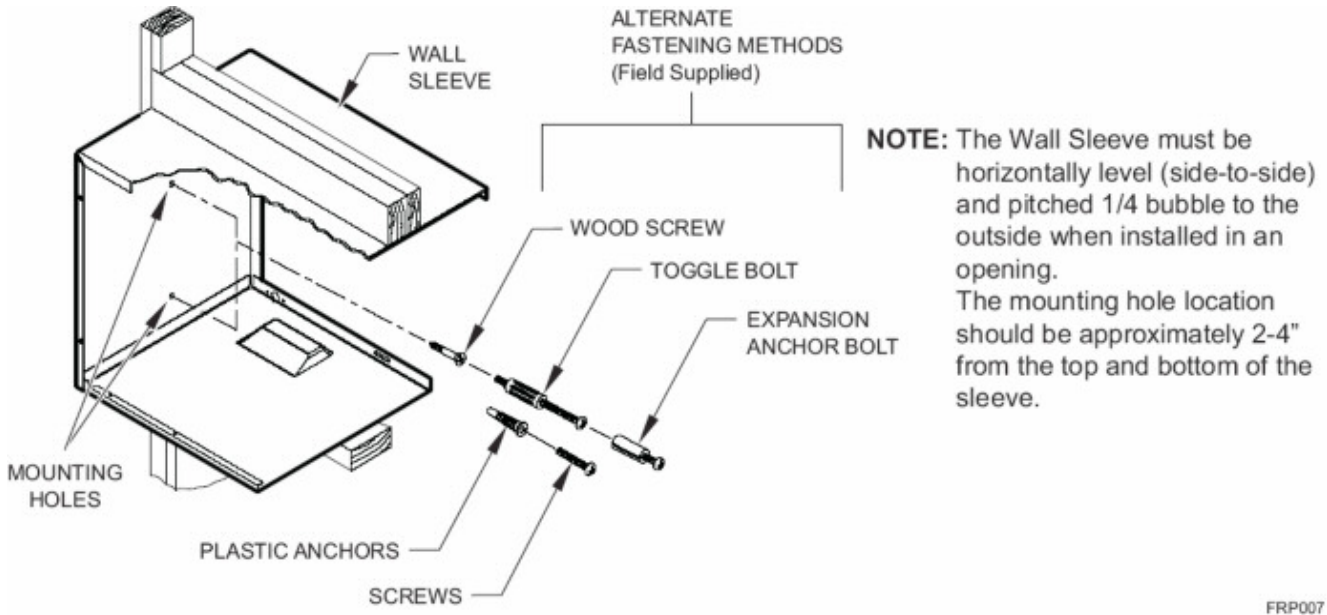


FRP006

NOTE: Follow all wall system manufacturer installation instructions. For sunrooms and modular buildings, adhere to their installation instructions for supporting and sealing sleeve to their frames. All wall and window/wall installations must provide for proper drainage. In applications where the drain holes on the PTAC wall sleeve are not exposed beyond the wall an internal drain system is recommended. It is the installer's responsibility to ensure there is adequate drainage for the PTAC unit.

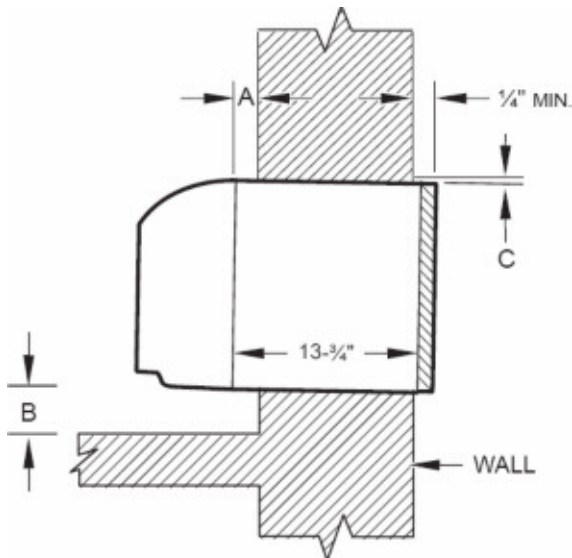


**Figure 3
Wall Sleeve Attachment**



FRP007

**Figure 4
Dimensions**



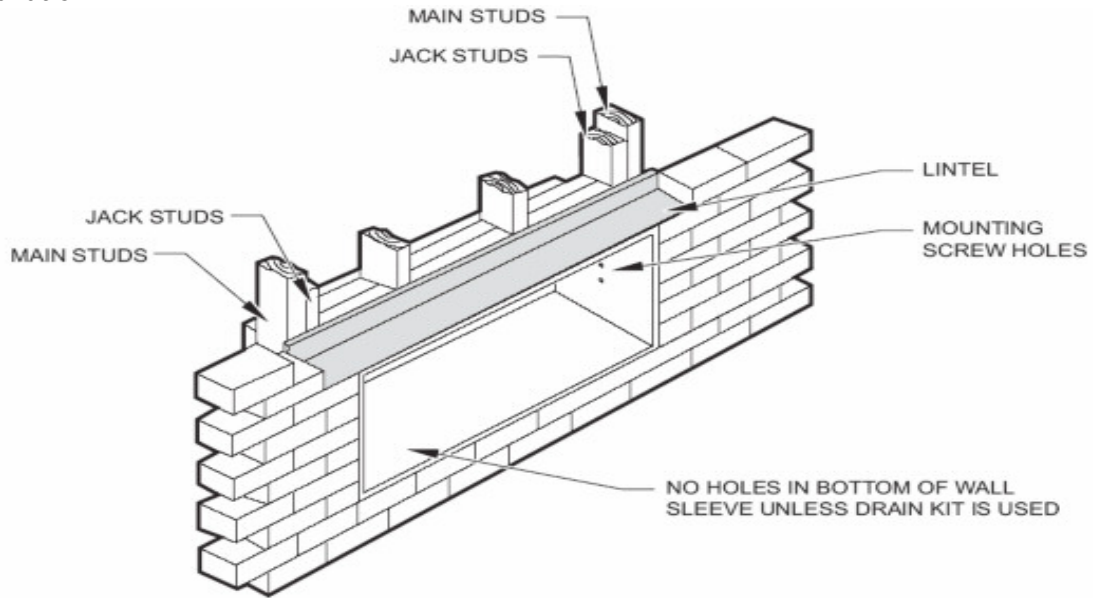
Dimension*	A	B		C
	Allow for wall finishing (Minimum)	Allow for floor finishing Min.	Max.	Allow for proper drainage (Front-to-Back)
No Accessories	1/4"	1/4"	---	---
With Subbase	1-3/4"	3-1/2"	5"	---
With Lateral Duct	3/4"	---	---	---
Wall Sleeve Tilt	---	---	---	1/4"

* If more than one accessory is to be used, use the maximum dimension. If the wall thickness is more than 13-3/4" - (A+ 1/4"), a one-piece deep wall sleeve must be used.

FRP009



Figure 5
Lintel Installation



NOTE: Construct wall opening to comply with all applicable building codes.

FRP010



PXDR10 Drain Kit Installation Instructions (optional for new construction)

NOTE: Determine whether drain will be located within the wall, on the indoor side, or will drain to the exterior of the building. Follow appropriate instructions below depending on your particular type of installation.

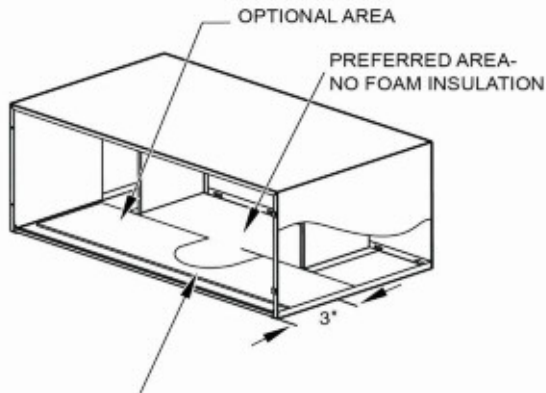
Internal Drain

NOTE: If installing an internal drain, you **MUST** install a drain kit on the wall sleeve before the wall sleeve is installed.

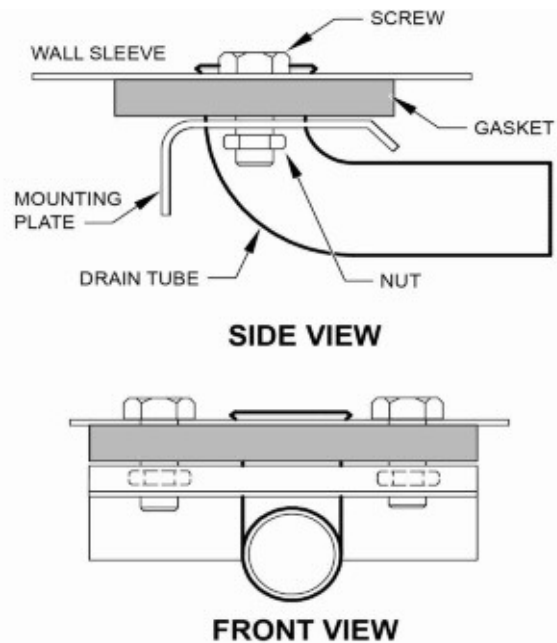
- Step 1.** Refer to Figure 6 and locate the drain within the “Preferred” area of best drainage. Maintain at least a ½” clearance from the embossed area.
- Step 2.** Using the mounting plate with the ½” hole as a template, mark and drill two, 3/16” mounting holes and a ½” drain hole in the sleeve bottom.
- Step 3.** Remove the backing from the gasket and mount it on the flat side of the mounting plate. See Figure 7. Insert the drain tube through the hole in the gasket and mounting plate so the tube flange will be against the wall sleeve.
- Step 4.** Position the assembly beneath the drilled holes and secure it with #10-24 x ½” machine screws and lock nuts provided. Seal the tops of the screws with silicone caulking.
- Step 5.** Use ½” I.D. copper tube, PVC pipe, or vinyl hose (obtained locally) to connect the internal drain tube to the drain system in the building.
- Step 6.** Referring to Figure 7, Detail A, locate and assemble the (2) two cover plates and gaskets over the drain holes at the rear of the wall sleeve. Attach them with the #10 sheet metal screws provided. Make certain that the four overflow slots at the rear of the wall sleeve are not blocked. See drawing of the back of the sleeve Figure 7.
- Step 7.** If a deep wall extension (PDXWSEXT) is used, after installing the field supplied flashing, caulk as required. Be sure to caulk around the flashing and the wall sleeve where the hole was drilled for the drain tube.



Figure 6
Drain Kit Location and Installation



IF THE DRAIN MUST BE LOCATED IN THE OPTIONAL AREA, THE FOAM INSULATION MUST BE CUT AWAY AND REMOVED TO ALLOW ACCESS TO THE DRAIN.



FRPO11A

External Drain (for new construction or unit replacement)

When using an external drain system, the condensate is removed through either of two drain holes on the back of the wall sleeve. Select the drain hole which best meets your drainage situation and install the drain kit. Seal off the other with a cover plate.

Drain Tube Installation (See Figure 7)

1. Peel the backing tape off the gaskets and apply the sticky side to one cover plate and one mounting plate as shown in Details A and B
2. Place the drain tube through the gasket and the mounting plate with the flange toward the wall sleeve.
3. Attach the drain tube assembly to one of the two drain holes at the rear of the wall sleeve. The large flange on the mounting plate is positioned at the bottom of the sleeve facing toward the sleeve, Detail B. When the drain tube is positioned at the desired angle, tighten the screws.

Cover Plate Installation

4. Mount the foam gasket to the cover plate. Using two #10 x 1/2" sheet metal screws (provided), attach the cover plate to the remaining drain hole. Make certain the large flange on the plate is positioned at the bottom of the sleeve.
5. Discard the additional cover plate, gasket, machine screws, and locknuts.



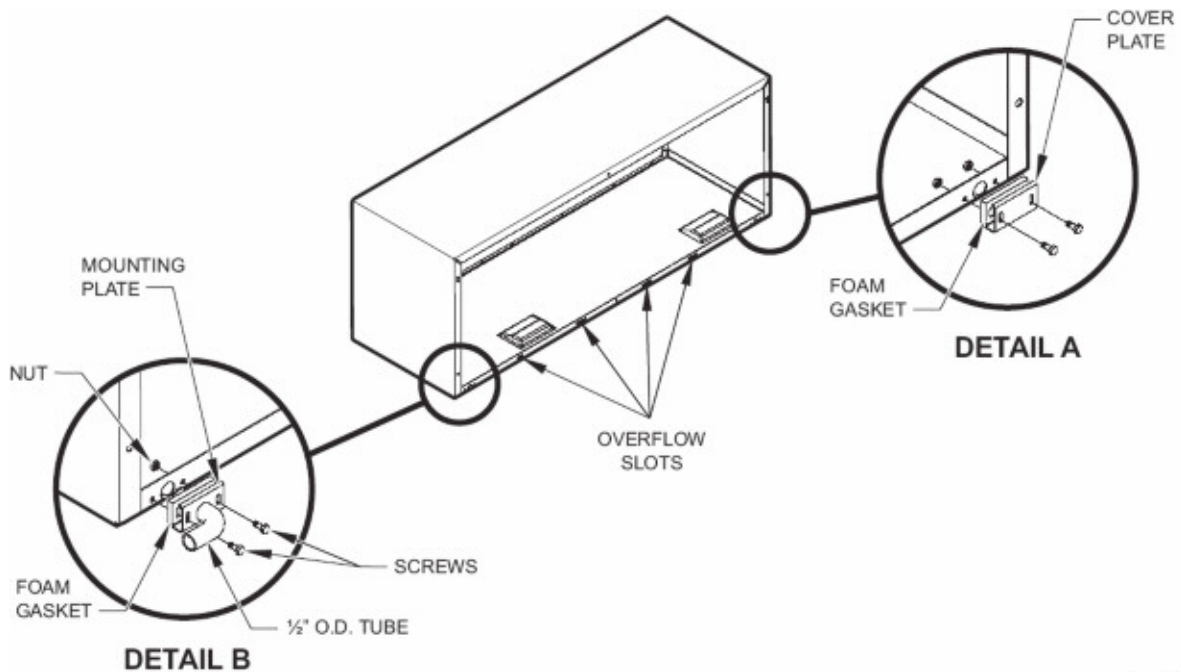
NOTICE

If the wall sleeve has not been installed, the drain tube must be rotated to a horizontal position until after the sleeve is installed. Tighten the mounting plate screws when the tube is in the proper position. Make certain that the four overflow slots at the rear of the wall sleeve are not blocked (See Figure 7).

When sealing the sleeve on the outside of the building, be careful NOT to let the sealant block the two condensate drain holes or the four overflow slots at the bottom flange of the sleeve.

Potential property damage can occur if instructions are not followed.

Figure 7
External Drain Kit Installation



FRP012