

# NK30B3500US

## 30" Under Cabinet Range Hood

SAMSUNG



### Signature Features

#### Powerful 350 CFM Ventilation

- Eliminate odors and smoke with powerful 350 CFM ventilation.

#### LED Lighting

- LED lights illuminate the cooktop and are brighter and more energy efficient.\*

\*Than incandescent or halogen lights.

#### 3 Ventilation Speeds

- Three different speeds to tackle cooking odors and eliminate smoke from cooking as needed.

### Available Color



Stainless Steel



350 CFM Ventilation



LED Lighting

### Features

- 350 CFM Ventilation
- 3 Ventilation Speeds
- Front-Centered Push Buttons
- Under-Cabinet Style
- Exterior Venting & Recirculating Capabilities
- 44 min. and 60 max. dBA (3 min. / 8.5 max. Sones) Noise Level

### Convenience

- LED Lighting
- Removable Filters (2)



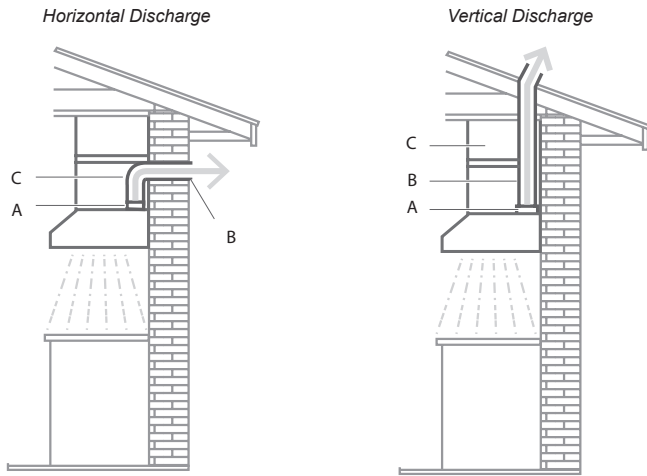
ADA Compliant

# NK30B3500US

# SAMSUNG

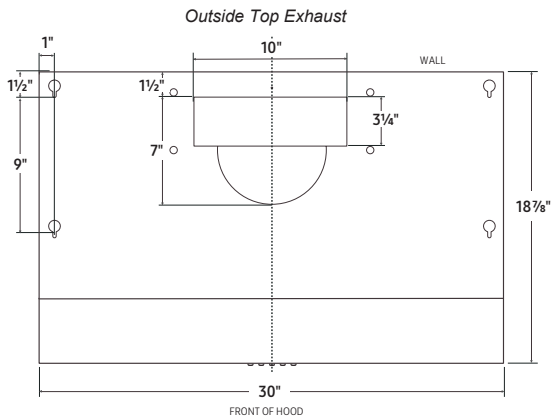
## 30" Under Cabinet Range Hood

### Venting Methods

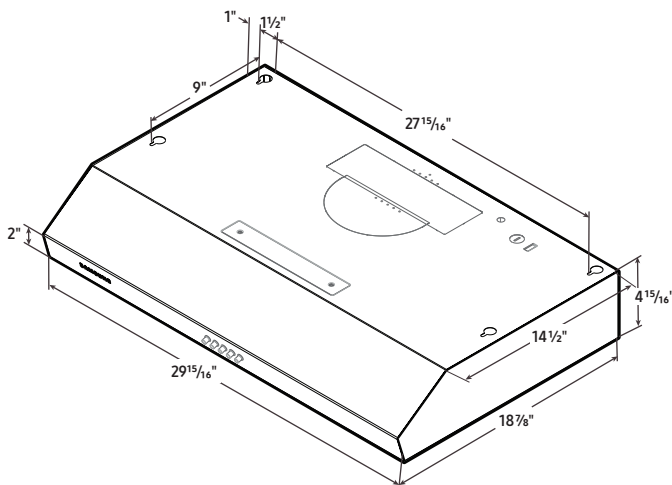


A.  $3\frac{1}{4}$ " x 10" (8.3 cm x 25.4 cm) rectangular vent or 7" (17.8 cm) round vent  
B. Wall cap with damper (not included)  
C. 90° elbow

A.  $3\frac{1}{4}$ " x 10" (8.3 cm x 25.4 cm) rectangular vent or 7" (17.8 cm) round vent  
B. Cabinet  
C. Roof cap with damper (not included)



### Dimensions and Clearance



### Total Power

46W

### Power Source

120 V / 60 Hz / 15 A

### Range Hood

- 30" Stainless Steel Under-Cabinet Hood
- Vent Fan: 350 CFM
- 3 Ventilation Speeds
- 44 min. and 60 max. dBA (3 min. / 8.5 max. Sones) Noise Level
- Removable Filters (2)
- LED Lighting

### Warranty

One (1) Year All Parts and Labor

### Product Dimensions & Weight (WxHxD)

Outside (Max) Hood Dimensions:

$29\frac{15}{16}$ " x  $4\frac{15}{16}$ " x  $18\frac{7}{8}$ "

Weight: 19.8 lbs

### Shipping Dimensions & Weight (WxHxD)

Dimensions:

$31\frac{5}{16}$ " x  $6\frac{13}{16}$ " x 22"

Weight: 22 lbs

### Color

Stainless Steel

Charcoal Filter

### Model #

NK30B3500US

DG81-03613A

### UPC Code

887276632704