

Electrolux



Microwave Combination Wall Oven

30" Wall Oven and Microwave Combination

ECWM3011AS

Available Colors : Stainless Steel

Version : 06/21

Cooking Controls

Air Fry	Yes
Air Sous Vide	Yes
Bake	Yes
Bake Time	Yes
Bread Proof	Yes
Broil	Yes
Convection Bake	Yes
Convection Roast	Yes
Delay Start	Yes
Fast Preheat	Yes
Keep Warm	Yes
Probe	Yes
Self Clean	Yes
Steam Bake	Yes
Steam Clean	Yes
Steam Roast	Yes

Oven

Bake Element	2,500 Watts
Bake Element Pass	8
Bake Element Type	Hidden
Bake System	Yes
Broil Element	4,000 Watts
Broil Element Pass	6
Broil System	Yes
Cleaning System	Yes
Convection	Yes
Convection Element	3,400 Watts
Convection Type	True Dual
Number of Convection Fans	2
Number of Rack Positions	6
Oven Interior Color	Midnight Black
Oven Light Quantity	2
Oven Light Type	Halogen
Oven Light Watts	25 Watts

Rack Position Type	Embossed
Rack Type 1	Glide
Rack Type 1 Quantity	1
Rack Type 2	Air Fry Tray
Rack Type 2 Quantity	1
Rack Type 3	Handle
Rack Type 3 Quantity	1

Microwave Cooking

Bacon	Yes
Beverage	Yes
Defrost	Yes
Melt / Soften	Yes
Popcorn	Yes
Reheat	Yes
Rice	Yes
Top Grill Mode	Yes
Veggies	Yes

Convection Cooking

Convection Cooking - Bake	Yes
Convection Element	1650 Watts

Controls

Sabbath Mode	Yes
Wi-Fi Enabled	Yes

Microwave Control Features

+ 30 Seconds	Yes - One Touch
--------------	-----------------

Internal Specifications

Interior Color	Midnight Black
Rack	Yes
Turntable Diameter	14"
Turntable Material	Glass

High standards of quality at Electrolux Home Products, Inc. mean we are constantly working to improve our products. We reserve the right to change specifications or discontinue models without notice.

Electrolux Major Appliances, N.A.

USA • 10200 David Taylor Drive • Charlotte, NC 28262 • Charlotte, NC 28262 • 1-877-4electrolux (1-877-435-3287) • electroluxappliances.com

CANADA • 5855 Terry Fox Way • Mississauga, ON L5V 3E4 • 1-800-265-8352 • electroluxappliances.ca

30" Wall Oven and Microwave Combination

ECWM3011AS

Version : 06/21

Dimensions and Volume

Height	42 5/8"
Width	30"
Depth	25 3/16"
Depth With Door 90° Open	45 1/4"
Depth With Handle	27 1/4"
Cutout Depth	24"
Oven Interior Height	18 5/8"
Oven Interior Width	24 1/2"
Oven Interior Depth	19 1/2"
Microwave Interior Height	9 5/16"
Microwave Interior Width	18 7/8"
Microwave Interior Depth	16 1/8"
Minimum Cutout Height	41"
Minimum Cutout Width	28 1/2"
Maximum Cutout Height	41 13/16"
Maximum Cutout Width	29"
Microwave Capacity	1.7 Cu. Ft.
Oven Capacity	5.1 Cu. Ft.

General Specifications

Product Weight	238 lbs
Prop 65 Label	Yes
Warranty - Labor	1 Year
Warranty - Parts	1 Year

Safety Certifications and Approvals

UL Listed	Yes
cUL Listed	Yes
RoHS	Yes

Accessories

Optional Trim Kit Part Number	LUX3INTRIM
-------------------------------	------------

High standards of quality at Electrolux Home Products, Inc. mean we are constantly working to improve our products. We reserve the right to change specifications or discontinue models without notice.

Electrolux Major Appliances, N.A.

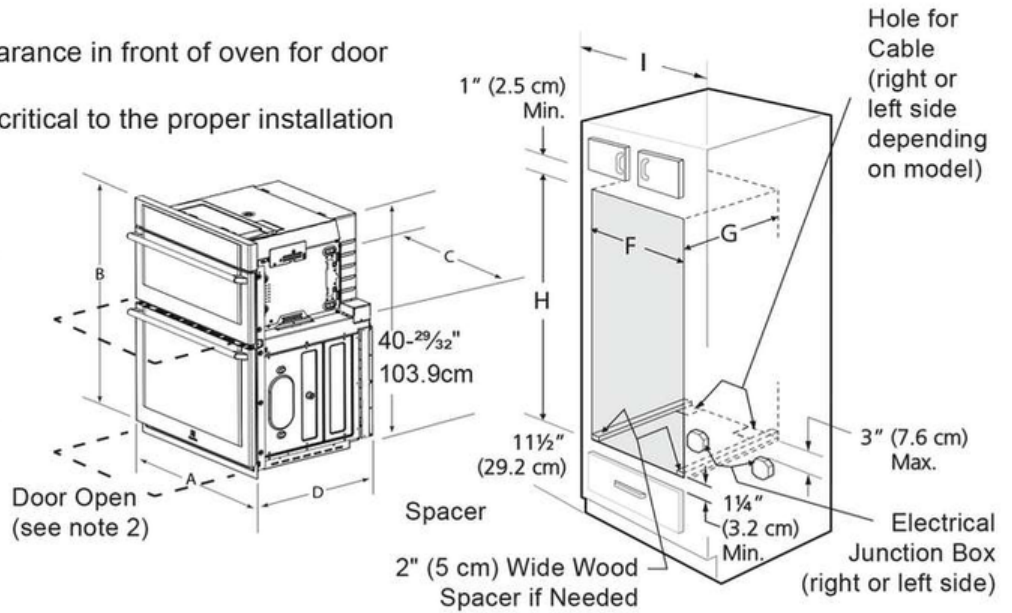
USA • 10200 David Taylor Drive • Charlotte, NC 28262 • Charlotte, NC 28262 • 1-877-4electrolux (1-877-435-3287) • electroluxappliances.com

CANADA • 5855 Terry Fox Way • Mississauga, ON L5V 3E4 • 1-800-265-8352 • electroluxappliances.ca

NOTES:

1. Allow at least 21" (53.3cm) clearance in front of oven for door depth when it is open.
2. Dimension G (cutout depth) is critical to the proper installation of the built-in oven. If the oven decorative trim does not butt against the cabinet verify dimension G to assure it is the required depth.

* Suggested distance from floor is 11½" (29.2 cm).
 Minimum required distance is 4 ½" (11.4 cm) in the US and Mexico. Minimum required distance is 8 ½" (21.6 cm) in Canada.



Product and Cutout Dimensions

PRODUCT DIMENSIONS							
MODEL	A		B		C		D
Microwave Combination	30 (76.2cm)		42 ⁴¹ / ₆₄ (108.3cm)		28 ¹ / ₄ (71.8cm)		25 ³ / ₁₆ (63.9cm)
CUTOUT DIMENSIONS AND CABINET WIDTH							
MODEL	F		G. Min.	H		I	
	Min.	Max.		Min.	Max.		
Microwave Combination	28 ¹ / ₂ (72.4cm)	29 (73.7cm)	24 (61.0cm)	40 ⁶³ / ₆₄ (104.1cm)	41 ¹³ / ₁₆ (106.2cm)	30 ¹ / ₈ (76.5cm) Min	

High standards of quality at Electrolux Home Products, Inc. mean we are constantly working to improve our products. We reserve the right to change specifications or discontinue models without notice.