

COOK

LIKE

A

GOD

INSTALLATION GUIDE

# VENTILATION ARH P MODELS ARH30P | ARH36P

**THOR**  
K I T C H E N<sup>®</sup>

# IMPORTANT SAFETY NOTICE

## READ AND SAVE THESE INSTRUCTIONS

**WARNING - TO REDUCE THE RISK OF FIRE OR ELECTRIC SHOCK, DO NOT USE THIS FAN WITH ANY SOLID-STATE CONTROL DEVICE.**

**CAUTION** - For General Ventilating Use Only. Do Not Use To Exhaust Hazardous Or Explosive Materials And Vapors.

**WARNING - TO REDUCE THE RISK OF FIRE, ELECTRIC SHOCK, OR INJURY TO PERSONS, OBSERVE THE FOLLOWING:**

- a) Use this unit only in the manner intended by the manufacturer. If you have questions, contact the manufacturer.
- b) Before servicing or cleaning unit, switch power off at service panel and lock the service disconnecting means to prevent power from being switched on accidentally. When the service disconnecting means cannot be locked, securely fasten a prominent warning device, such as a tag, to the service panel.

**WARNING - TO REDUCE THE RISK OF A RANGE TOP GREASE FIRE:**

- a) Never leave surface units unattended at high settings. Boilovers cause smoking and greasy spillovers that may ignite. Heat oils slowly on low or medium settings.
- b) Always turn hood ON when cooking at high heat or when flambeing food (i.e. Crepes Suzette, Cherries Jubilee, Peppercorn Beef Flambe').
- c) Clean ventilating fans frequently. Grease should not be allowed to accumulate on fan or filter.
- d) Use proper pan size. Always use cookware appropriate for the size of the surface element.

**WARNING - TO REDUCE THE RISK OF INJURY TO PERSONS IN THE EVENT OF A RANGE TOP GREASE FIRE, OBSERVE THE FOLLOWING<sup>a</sup>:**

- a) SMOTHER FLAMES with a close-fitting lid, cookie sheet, or metal tray, then turn off the burner. BE CAREFUL TO PREVENT BURNS. If the flames do not go out immediately, EVACUATE AND CALL THE FIRE DEPARTMENT.
- b) NEVER PICK UP A FLAMING PAN - You may be burned.
- c) DO NOT USE WATER, including wet dishcloths or towels - a violent steam explosion will result.
- d) Use an extinguisher ONLY if:
  - 1) You know you have a Class ABC extinguisher, and you already know how to operate it.
  - 2) The fire is small and contained in the area where it started.
  - 3) The fire department is being called.
  - 4) You can fight the fire with your back to an exit.

<sup>a</sup> Based on "Kitchen Firesafety Tips" published by NFPA.

**WARNING - TO REDUCE THE RISK OF FIRE, ELECTRIC SHOCK, OR INJURY TO PERSONS, OBSERVE THE FOLLOWING:**

# IMPORTANT SAFETY NOTICE

- a) Installation work and electrical wiring must be done by qualified person(s) in accordance with all applicable codes and standards, including fire-rated construction.
- b) Sufficient air is needed for proper combustion and exhausting of gases through the flue (chimney) of fuel burning equipment to prevent back drafting. Follow the heating equipment manufacturer's guideline and safety standards such as those published by the National Fire Protection Association (NFPA), and the American Society for Heating, Refrigeration and Air Conditioning Engineers (ASHRAE), and the local code authorities.
- c) When cutting or drilling into wall or ceiling, do not damage electrical wiring and other hidden utilities.
- d) Ducted fans must always be vented to the outdoors.
- e) NEVER place a switch where it can be reached from a tub or shower.
- f) Make sure the power is off before installing, wiring or maintenancing.

## WARNING

TO REDUCE THE RISK OF FIRE, USE ONLY METAL DUCTWORK.

## CAUTION

To reduce risk of fire and to properly exhaust air outside - Do not vent exhaust air into spaces within walls, ceilings, attics, crawl spaces or garages.

## OPERATION

Always leave safety grilles and filters in place. Without these components, operating blowers could catch onto hair, fingers and loose clothing.

The manufacturer declines all responsibility in the event of failure to observe the instructions given here for installation, maintenance and suitable use of the product. The manufacturer further declines all responsibility for injury due to negligence and the warranty of the unit automatically expires due to improper maintenance.

## ELECTRICAL REQUIREMENTS

**Important:** Observe all governing codes and ordinances.

It is the customer's responsibility:

- To contact a qualified electrical installer.
- To assure that the electrical installation is adequate and in conformance with National Electrical Code, ANSI/NFPA 70 latest edition\* or CSA standards C22.1-94, Canadian Electrical Code, Part 1 and C22.2 No.0-M91 - latest edition\*\* and all local codes and ordinances.

If codes permit and a separate ground wire is used, it is recommended that a qualified electrician determine that the ground path is adequate.

Do not ground to a gas pipe.

Check with a qualified electrician if you are not sure the range hood is properly grounded.

Do not have a fuse in the neutral or ground circuit.

**\*National Fire Protection Association Batterymarch Park, Quincy, Massachusetts 02269**

**\*\* CSA International 8501 East Pleasant Valley Road, Cleveland, Ohio 44131-5575**

This appliance requires a 120V 60Hz electrical supply and connected to an individual properly grounded branch circuit protected by a 15 or 20 ampere circuit breaker or time delay fuse.

Wiring must be 2 wire with ground. Please also refer to Electrical Diagram on product.

A cable locking connector (not supplied) might also be required by local codes.

Check with local requirements, purchase and install appropriate connector if necessary.

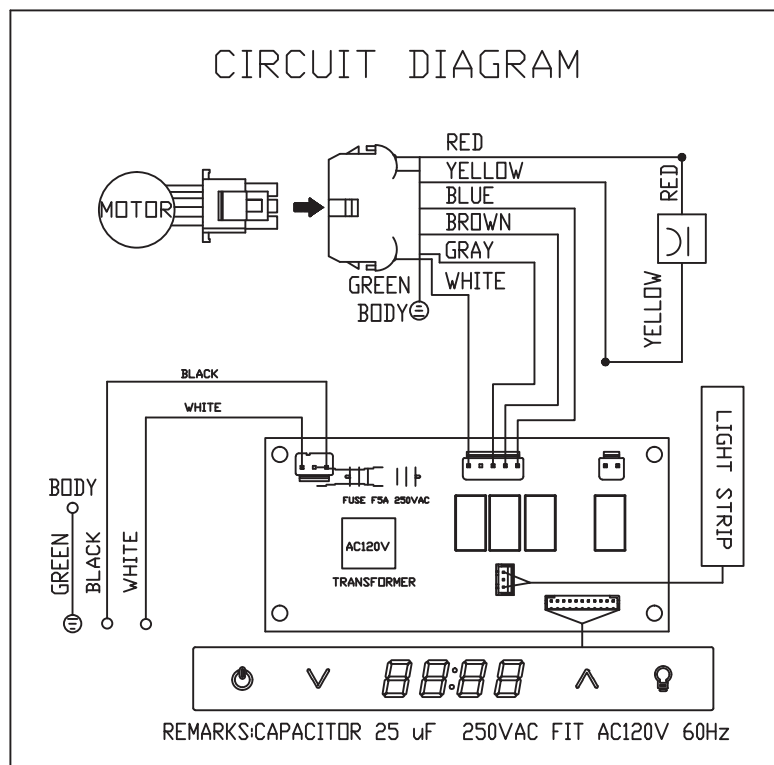
# PRODUCT FEATURES / SPECIFICATION CHART

## A. Product Features

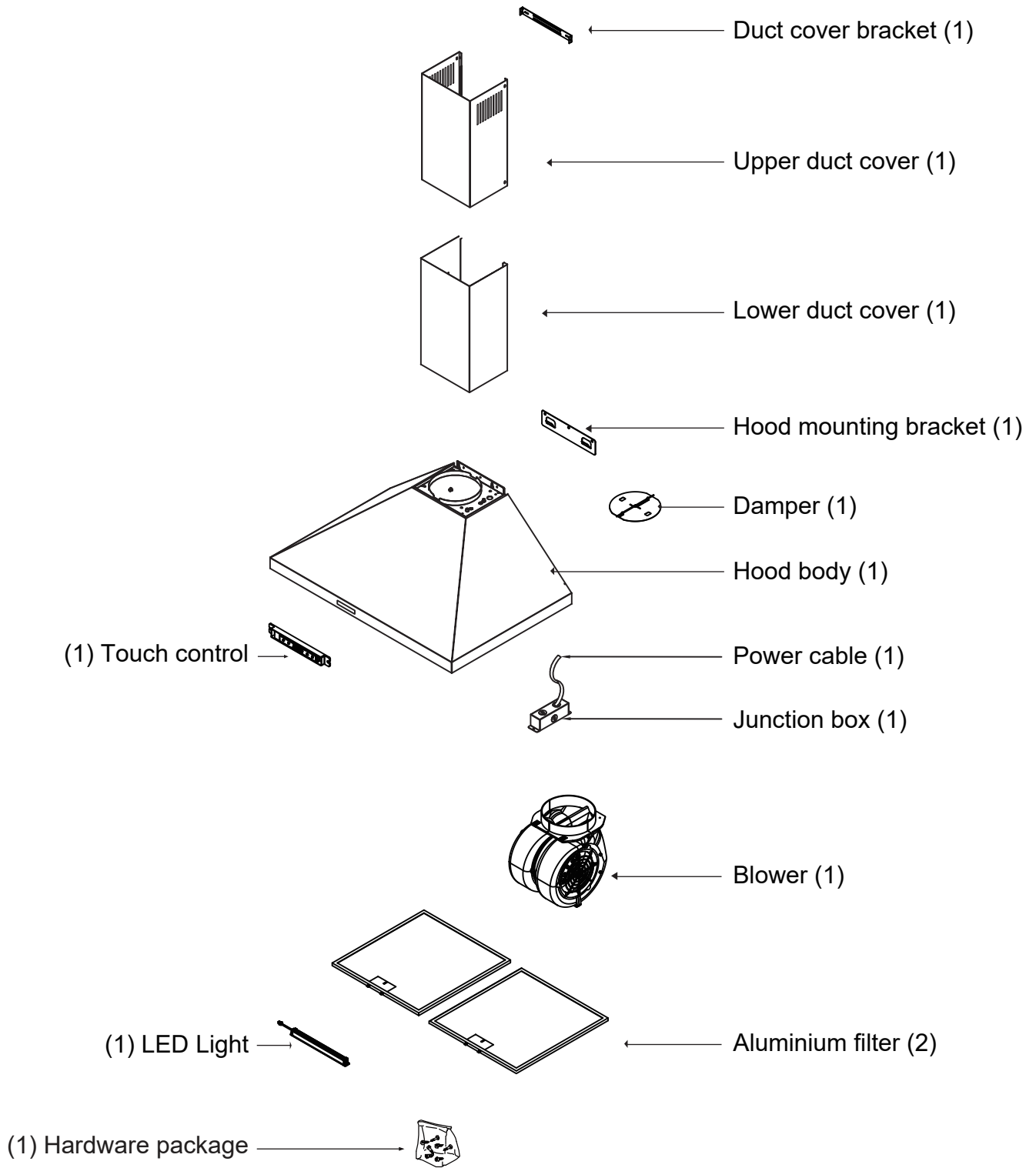
1. 3-speed options.
2. Dual level lighting: Bright, Dim and Off.

## B. Specification Chart

Models	ARH30P / ARH36P
Net Weight(lbs)	26 / 27.6
Measurement (inches)	(W)29-15/16 x (D)19-3/4 x (H)30-15/16 ~ 42 (W)35-7/8 x (D)19-3/4 x (H)30-15/16 ~ 42
Maximum Voltage	120V – 60Hz
Exhaust Pipe Diameter	Round 6 inches
Light	7W LED x 1

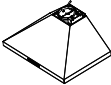


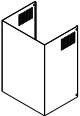
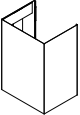









# EXPLODED DIAGRAM



# LIST OF MATERIALS

## Parts Supplied

STANDARD CONFIGURATION		
Hood		1
6 inch Damper		1
User Manual		1
Duct cover; Upper		1
Duct cover; Lower		1
Hood Mounting Bracket		1
Duct cover Bracket		1
Hardware Bracket		1

HARDWARE PACKET CONTENT		
P3 Wire Nuts		3
5x12x1T Washer		2
M4x12 Round Head Screw		2
#8x1-1/2" Flat Head Screw		9

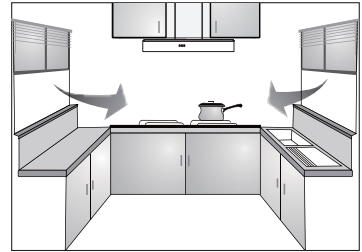
## Optional Accessories

Description		Part Number
Extension Duct cover		RHDC01AP
Recirculating Kit	30"	ARC3001P
	36"	ARC3601P
Charcoal filter	30"	FT0130
	36"	FT0136

# INSTALLATION GUIDELINES

## 1. Location

- Air turbulence from window/door may reduce the effectiveness of hood. Suggest to close window/door before using hood. (FIG. 1)
- The smoke has to rise up to 10 inches from cook top in order to reach hood's suction efficiency range.



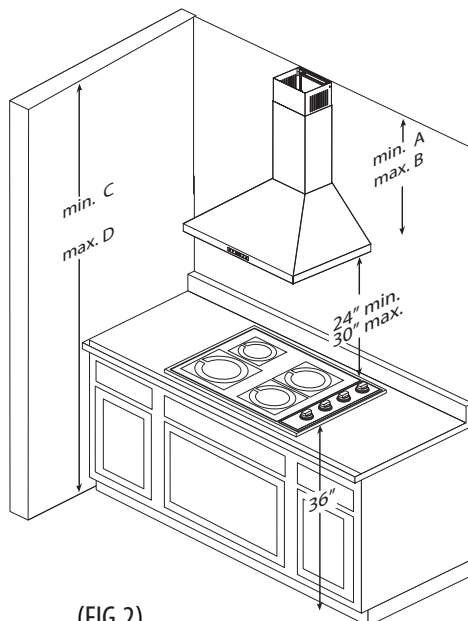
(FIG.1)

## 2. Exhaust duct

- 6" diameter exhaust duct is recommended to use in order to maximize suction efficiency.
- Before installing the hood, please apply fast drying glue to the collar and securely attach it to the top of cooker hood's vent lid. Install the cooker hood and exhaust duct to the plastic collar and seal with fast drying glue.

## 3. Position

- The installation height is measured vertically from center of aluminum filter of hood to the top of the cook top.
- The min height is 24 inches and the max installation height is 30 inches for gas hob. (FIG. 2)
- Avoid left-right or front-dropped inclination.



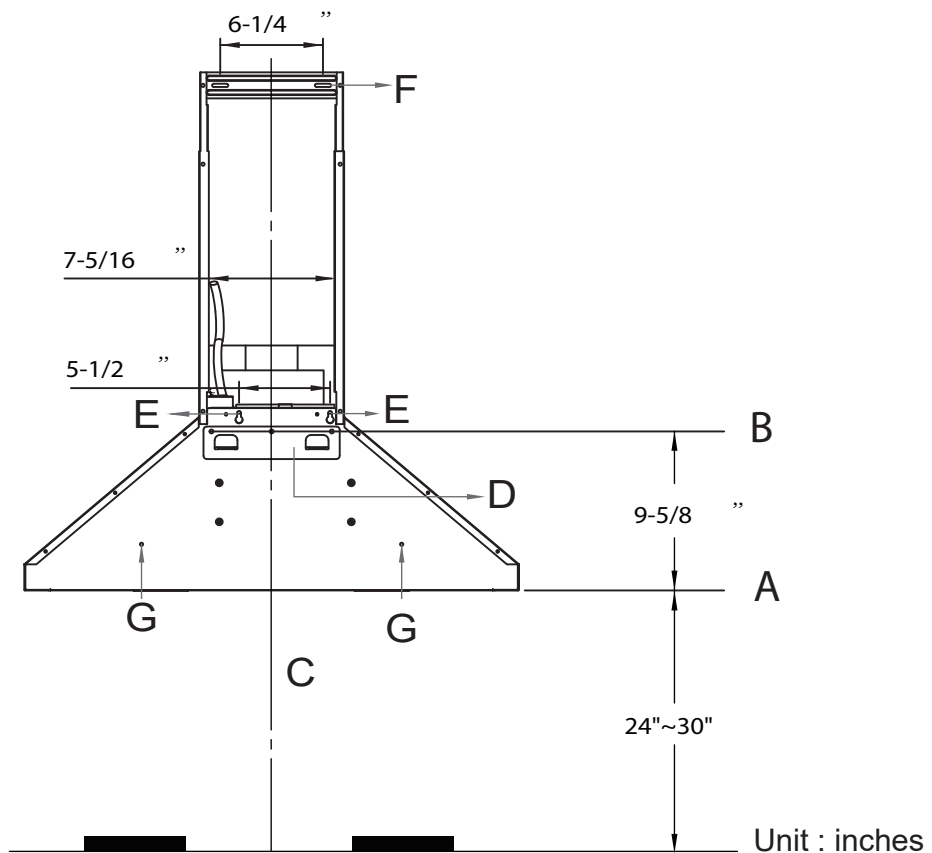
(FIG.2)

Hood Heights	Standard Duct Cover
minimum ducted (A)	26-5/8"
maximum (B)	42"
Ceiling Heights	
minimum ducted (C)	86-5/8"
maximum (D)	108"



## INSTALLATION GUIDELINES

1. Take out the appliance from the box and check the List of Material.
2. Mark a line A as shown in below diagram, the distance between the bottom of the hood to the top of cook top is 24~30inches.
3. Draw and mark a center vertical line "C" on the wall.
4. Mark hood height line B. (9-5/8" from line A).
5. Mark mounting screw holes on line B, 3-41/64" apart from the center line (on right and left).
6. Adjusting the hanging piece (D) level, use (3) #8x1-1/2" wood screws to lock to the screw marks on the B line.
7. Remove the (2) aluminum grease filters.
8. Hang hood into the mounting bracket on the wall (Step 6). Adjust the hood to make sure that it is level, use (2) #8x1-1/2" wood screws into hood body holes (E).
9. Center and attach duct cover mounting bracket (F) to wall.
10. Install power cord and duct. Seal duct with tape.
11. Turn on the hood and check for air leaks around duct tape.
12. Extend inner (top) duct cover upwards and secure to duct cover bracket using (2) M4 x 12 screws.
13. Fasten (2) #8x1-1/2" wood screws and (2) 5x12x1T washers into inside hood body holes (G).
14. Reinstall aluminum grease filters.



# WELCOME TO THE CLUB

You chose THOR Kitchen to enhance your culinary journey and we're stoked to have you in the club. Think of it as a secret society of really savvy people, such as yourself, choosing professional power and performance at an affordable price.

 Register your product by following the steps below.

## WARRANTY REGISTRATION



Scan the QR code or visit  
[thorkitchen.com/warranty](http://thorkitchen.com/warranty)



Input your product info  
and select register



You're done.  
Let's get cookin'.

### WARRANTY



### NEED PARTS?

