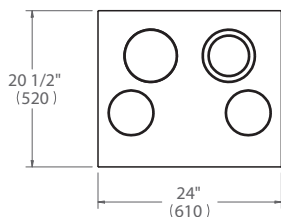
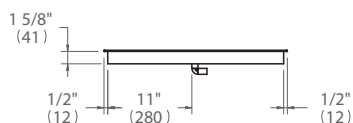


PRODUCT DIMENSIONS

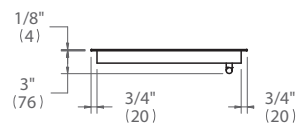
TOP VIEW



FRONT VIEW

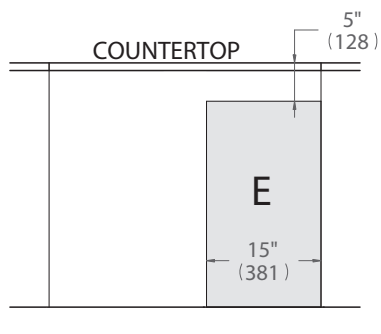


SIDE VIEW



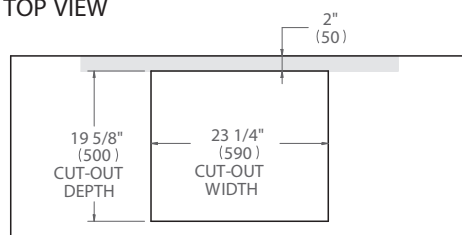
ELECTRICAL & GAS CONNECTION

FRONT VIEW

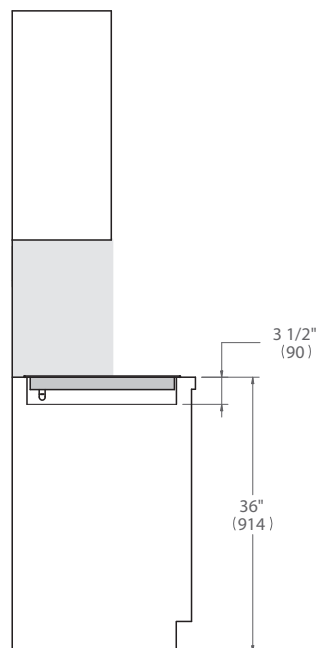


CUTOUT DIMENSIONS

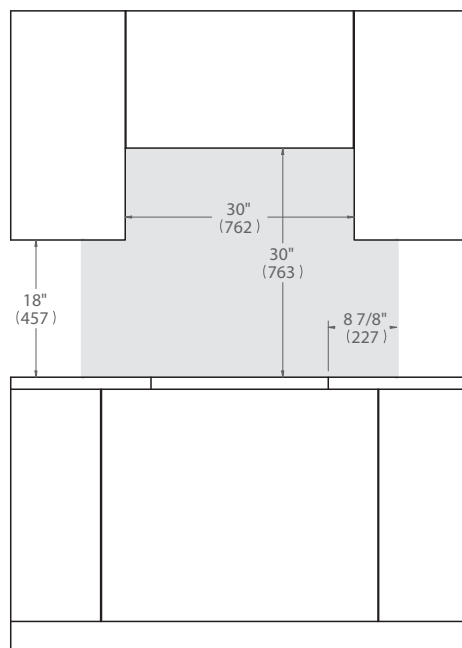
TOP VIEW



SIDE VIEW



FRONT VIEW



E A properly-grounded, horizontally-mounted electrical receptacle should be installed according to this drawing.

INSTALLATION REQUIREMENTS

Combustible material cannot be located within shaded area above countertop.