

 **FABER**

BREVA PRO

Installation Instructions
Use and Care Information

Instructions d'installation
Utilisez et d'entretien

Instrucciones de instalación
Información de uso y cuidado

BREV308SS600
BREV368SS600
BREV48SS1200

CONTENTS

Section	Page
Important safety instructions	3
Range hood dimensions	6
Installation height requirements	7
Parts	8
Tools needed	10
Attach the Motor	11
Venting method	13
Mount the Motor into the hood	14
Recirculation instructions	18
Connect the Motor cable	19
Mounting on the wall	20
Installation for Mounting Under the Cabinet	24
Connecting house power	27
Operating the controls	28
CFM adjustment < 295CFM	30
CFM adjustment < 395CFM	31
Faber cloud app	32
Remote control	33
Cleaning stainless steel	33
Caring for filters	34
Replacing the activated charcoal filter	35
Replacing bulbs	35
Wiring diagram	36
Warranty	37

IMPORTANT SAFETY INSTRUCTIONS

READ AND SAVE THESE INSTRUCTIONS BEFORE YOU START INSTALLING THIS Range Hood

WARNING: - TO REDUCE THE RISK OF A RANGE TOP GREASE FIRE:

- a) Never leave surface units unattended at high settings. Boilovers cause smoking and greasy spillovers that may ignite. Heat oils slowly on low or medium setting.
- b) Always turn hood ON when cooking at high heat or when flambeing food (i.e. Crepes Suzette, Cherries Jubilee, Peppercorn Beef Flambé).
- c) Clean ventilating fans frequently. Grease should not be allowed to accumulate on fan or filter.
- d) Use proper pan size. Always use cookware appropriate for the size of the surface element.

WARNING: - TO REDUCE THE RISK OF INJURY TO PERSONS IN THE EVENT OF A RANGE TOP GREASE FIRE, OBSERVE THE FOLLOWING*:

- a) **SMOTHER FLAMES** with a close-fitting lid, cookie sheet, or metal tray, then turn off the burner. **BE CAREFUL TO PREVENT BURNS.** If the flames do not go out immediately **EVACUATE AND CALL THE FIRE DEPARTMENT.**
- b) **NEVER PICK UP A FLAMING PAN** - You may be burned.
- c) **DO NOT USE WATER**, including wet dishcloths or towels - a violent steam explosion will result.
- d) Use an extinguisher **ONLY** if:
 1. You know you have a Class ABC extinguisher, and you already know how to operate it.
 2. The fire is small and contained in the area where it started.
 3. The fire department is being called.
 4. You can fight the fire with your back to an exit.

* Based on "Kitchen Firesafety Tips" published by NFPA

WARNING - TO REDUCE THE RISK OF FIRE OR ELECTRIC SHOCK, do not use this fan with any solid-state speed control device.

WARNING - TO REDUCE THE RISK OF FIRE, ELECTRICAL SHOCK, OR INJURY TO PERSONS, OBSERVE THE FOLLOWING:

1. Use this unit only in the manner intended by the manufacturer. If you have any questions, contact the manufacturer.
2. Before servicing or cleaning unit, switch power off at service panel and lock the service disconnecting means to prevent power from being switched on accidentally. When the service disconnecting means cannot be locked, securely fasten a prominent warning device, such as a tag, to the service panel.

CAUTION: For General Ventilating Use Only. Do Not Use To Exhaust Hazardous or Explosive Materials and Vapors.

WARNING - TO REDUCE THE RISK OF FIRE, ELECTRICAL SHOCK, OR INJURY TO PERSONS, OBSERVE THE FOLLOWING:

1. Installation Work And Electrical Wiring Must Be Done By Qualified Person(s) In Accordance With All Applicable Codes And Standards, Including Fire-Rated Construction.
2. Sufficient air is needed for proper combustion and exhausting of gases through the flue (chimney) of fuel burning equipment to prevent backdrafting. Follow the heating equipment manufacturer's guideline and safety standards such as those published by the National Fire Protection Association (NFPA), and the American Society for Heating, Refrigeration and Air Conditioning Engineers (ASHRAE), and the local code authorities.

- 3. When cutting or drilling into wall or ceiling, do not damage electrical wiring and other hidden utilities.**
- 4. Ducted fans must always be vented to the outdoors.**

ALL WALL AND FLOOR OPENINGS WHERE THE Range Hood IS INSTALLED MUST BE SEALED.

This Range Hood requires at least 24" of clearance between the bottom of the Range Hood and the cooking surface or countertop. This hood has been approved by UL at this distance from the cooktop.

This minimum clearance may be higher depending on local building codes. For gas cooktops and combination ranges, a minimum of 30" is recommended and may be required.

Overhead cabinets on both sides of this unit must be a minimum of 18" above the cooking surface or countertop. Consult the cooktop or range installation instructions given by the manufacturer before making any cutouts.

MOBILE HOME INSTALLATION The installation of this Range Hood must conform to the Manufactured Home Construction and Safety Standards, Title 24 CFR, Part 3280 (formerly Federal Standard for Mobile Home Construction and Safety, Title 24, HUD, Part 280). See Electrical Requirements"

VENTING REQUIREMENTS

Determine which venting method is best for your application. Ductwork can extend either through the wall or the roof.

The length of the ductwork and the number of elbows should be kept to a minimum to provide efficient performance. The size of the ductwork should be uniform. Do not install two elbows together. Use duct tape to seal all joints in the ductwork system. Use caulking to seal exterior wall or floor opening around the cap.

Flexible ductwork is not recommended. Flexible ductwork creates back pressure and air turbulence that greatly reduces performance.

Make sure there is proper clearance within the wall or floor for exhaust duct before making cutouts. Do not cut a joist or stud unless absolutely necessary. If a joist or stud must be cut, then a supporting frame must be constructed.

WARNING - To Reduce The Risk Of Fire, Use Only Metal Ductwork.

CAUTION - To reduce risk of fire and to properly exhaust air, be sure to duct air outside - Do not vent exhaust air into spaces within walls or ceilings or into attics, crawl spaces, or garages.

Cold Weather installations

An additional back draft damper should be installed to minimize backward cold air flow and a nonmetallic thermal break should be installed to minimize conduction of outside temperatures as part of the vent system. The damper should be on the cold air side of the thermal break. The break should be as close as possible to where the vent system enters the heated portion of the house.



WARNING

- Venting system **MUST** terminate outside the home.
- **DO NOT** terminate the ductwork in an attic or other enclosed space.
- **DO NOT** use 4" laundry-type wall caps.
- Flexible-type ductwork is not recommended.
- **DO NOT** obstruct the flow of combustion and ventilation air.
- Failure to follow venting requirements may result in a fire.

ELECTRICAL REQUIREMENTS

A 120 volt, 60 Hz AC-only electrical supply is required on a separate 15 amp fused circuit. A time-delay fuse or circuit breaker is recommended. The fuse must be sized per local codes in accordance with the electrical rating of this unit as specified on the serial/rating plate located inside the unit near the field wiring compartment.

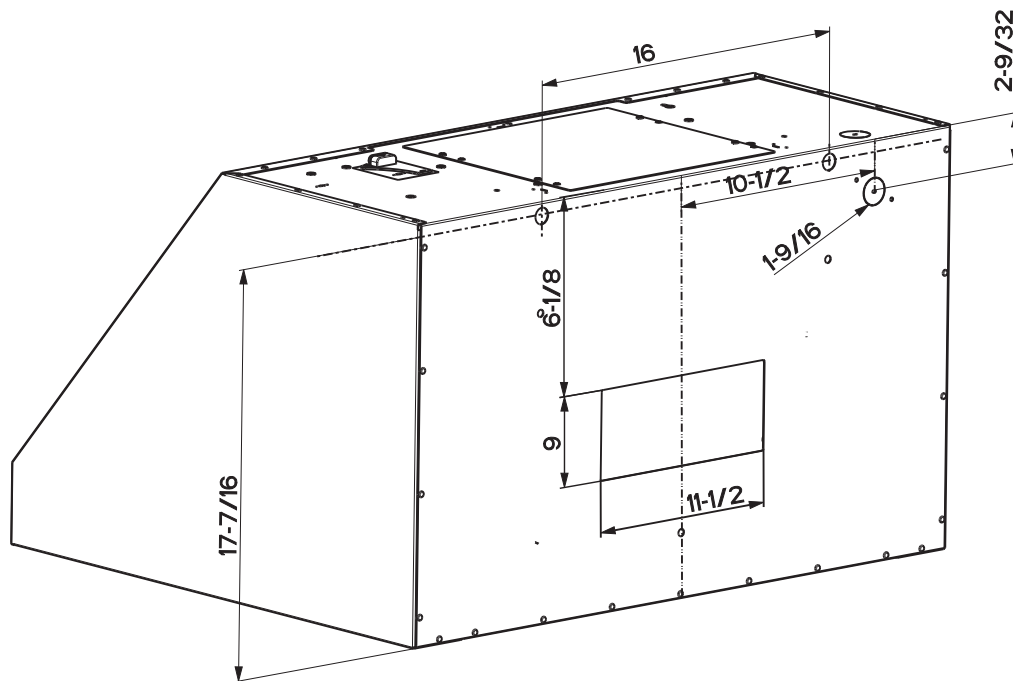
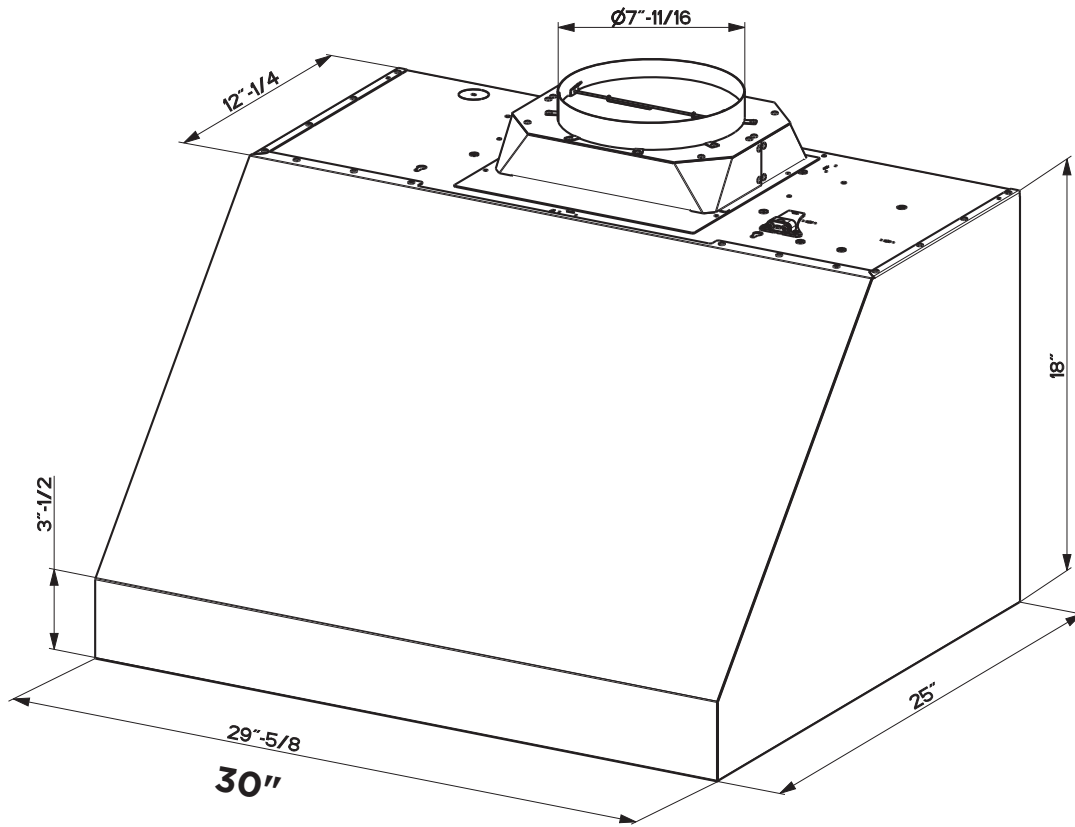


WARNING

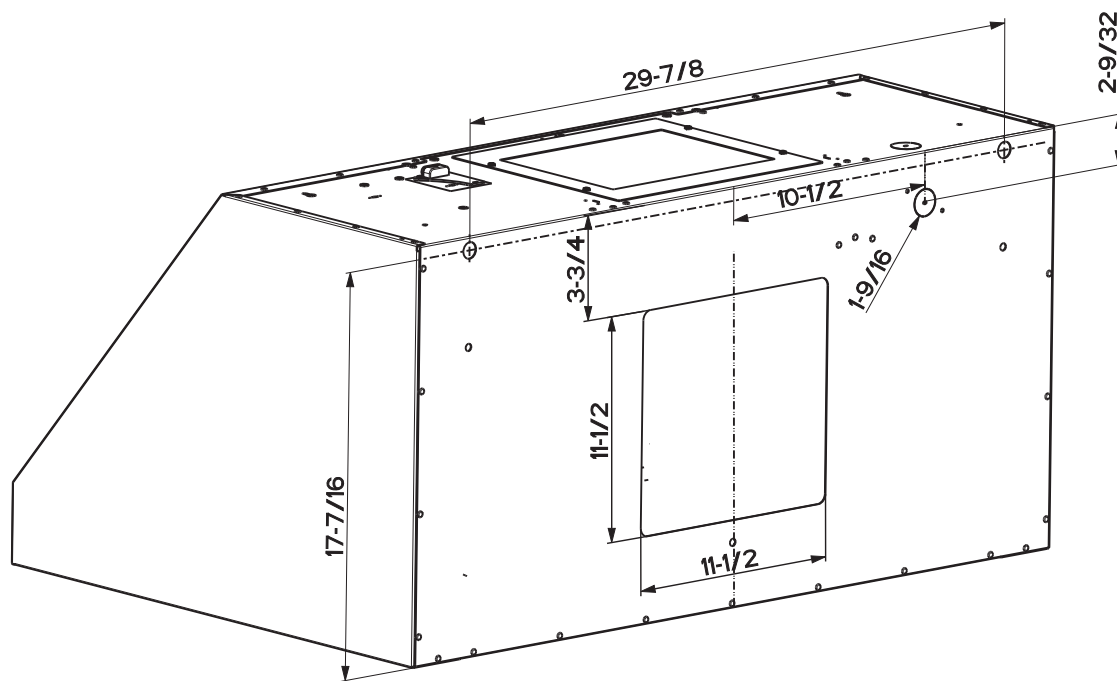
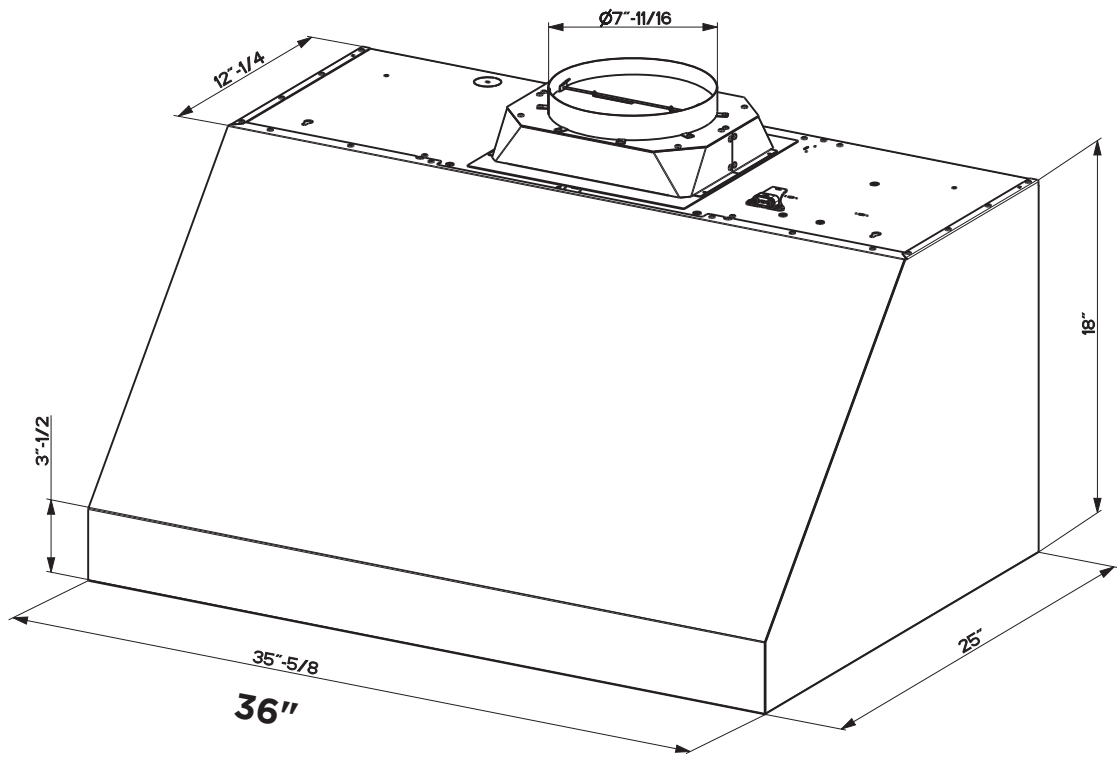
- Electrical ground is required on this Range Hood.
- If cold water pipe is interrupted by plastic, nonmetallic gaskets or other materials, DO NOT use for grounding.
- DO NOT ground to a gas pipe.
- DO NOT have a fuse in the neutral or grounding circuit. A fuse in the neutral or grounding circuit could result in electrical shock.
- Check with a qualified electrician if you are in doubt as to whether the Range Hood is properly grounded.
- Failure to follow electrical requirements may result in a fire.

RANGE HOOD DIMENSIONS

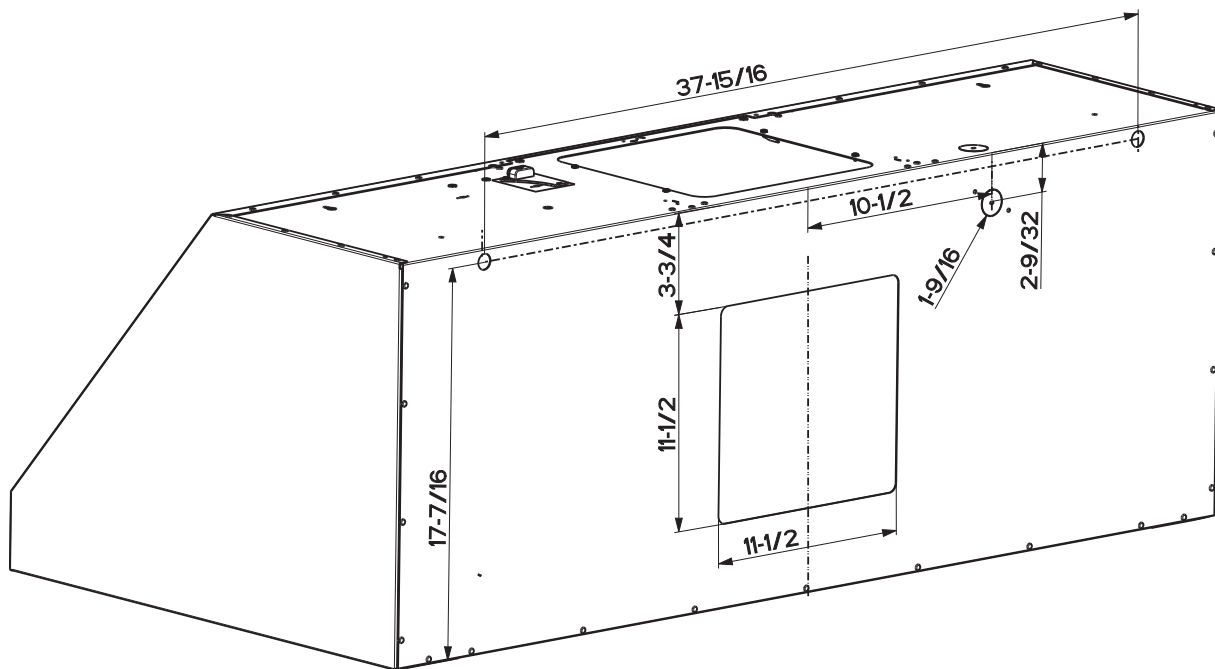
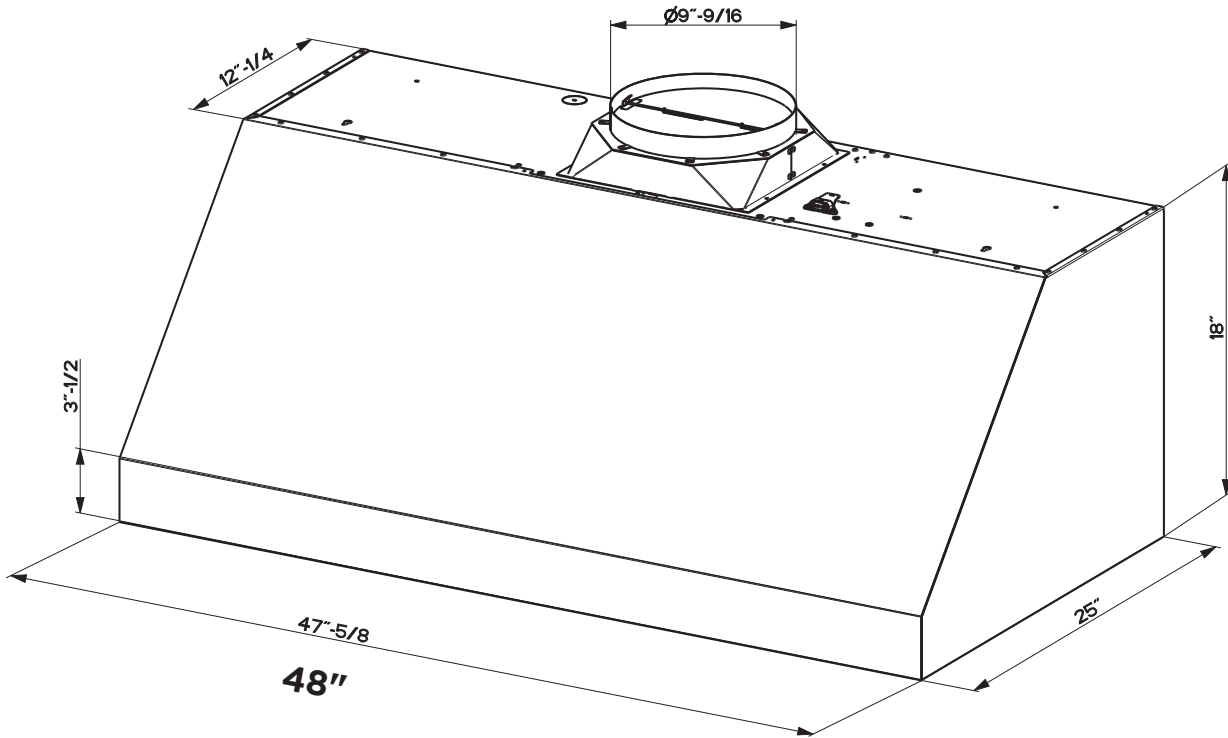
BREVA30



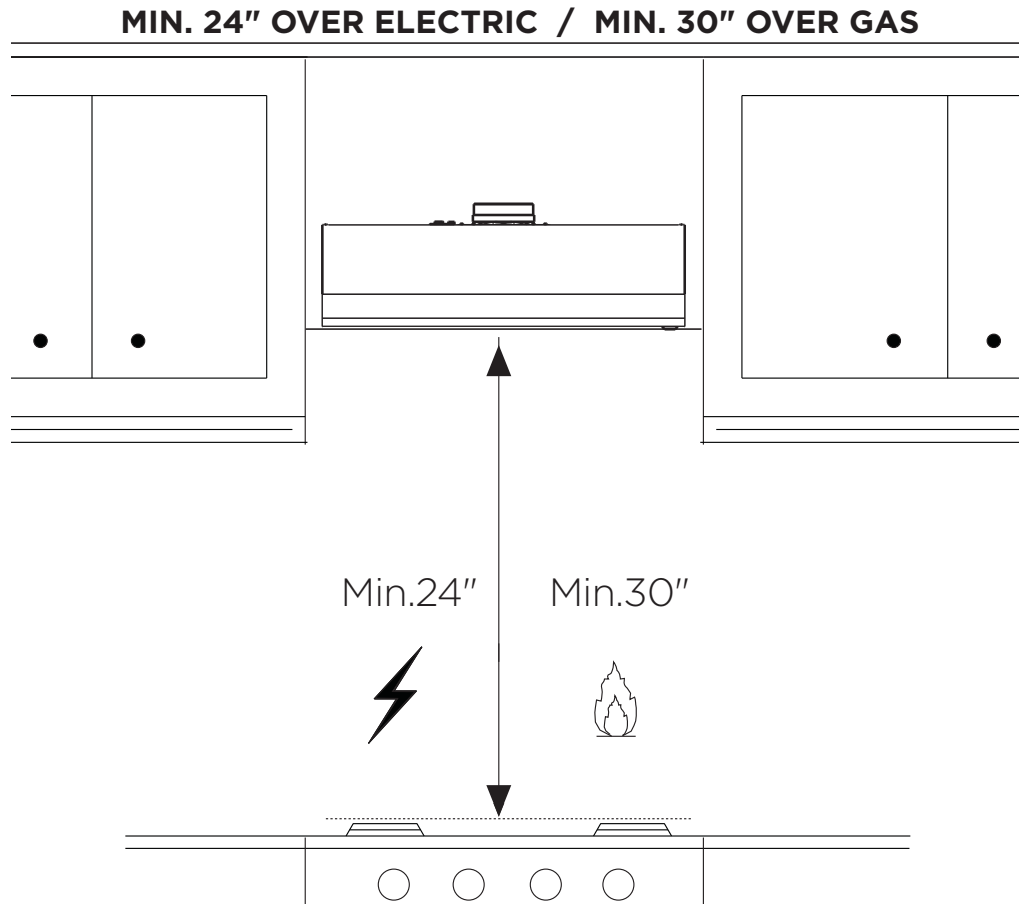
BREVA36






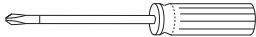


BREVA48



INSTALLATION HEIGHT REQUIREMENTS



TOOLS NEEDED







TOOL	
Tape Measure	
Pencil	
Electric Drill with 5/16" Drill Bit	
Phillips Screwdriver	
Metal sheers	
Work gloves	

PARTS


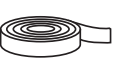
BREVA 30

PARTS INCLUDED

REF.	PART	QTY
A	Hood body	1
B	Grease rails	2
C	Grease filters	2
E	Damper	1
F	Spacer	1
X	Motor	1

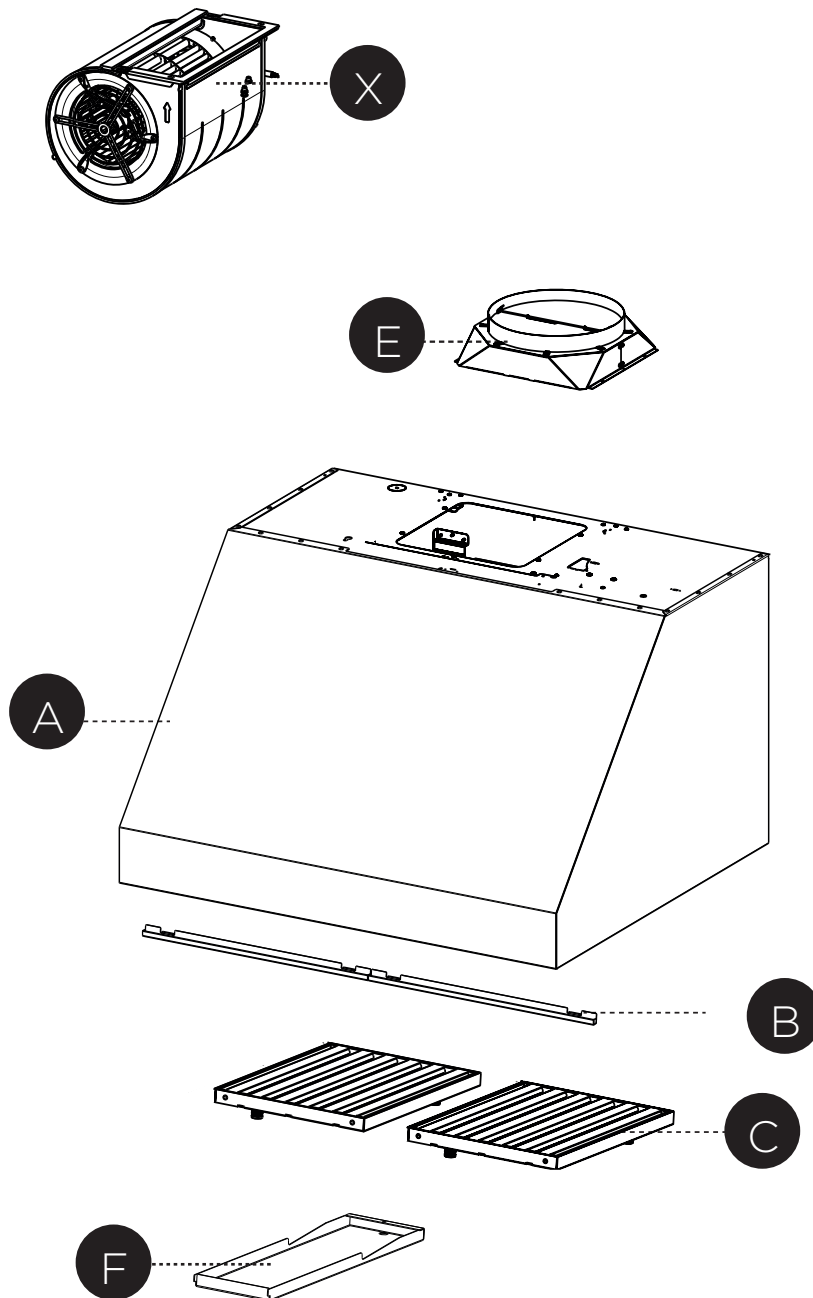
REF	PART		
G	Pozi Screws (1/8" x 3/8")		5
H	Pozi Screws (3/16" x 1/8")		4
I	Pozi Screws (Screws 3/16" x 1 15/16")		4
L	Pozi Screws (Screws 3/16" x 1 3/4")		4
N	Wall bracket		2
M	Cap		1

PARTS NEEDED

PART	
8" Round Metal Ductwork	
Foil tape	

ACCESSORIES AVAILABLE

ACCESSORY	SKU#
TELESCOPIC PRO CHIMNEY 30	TELEPRO30
TELESCOPIC BACKSPLASH 30	BACK 30
DUCTLESS KIT 30	DUCTGRT304
CHARCOAL FILTER	FILTER6
FIXED WIRING BOX	WIREBOX2
REMOTE CONTROL	REMCTRL2


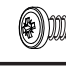





PARTS



BREVA 36

PARTS INCLUDED

REF.	PART	QTY
A	Hood body	1
B	Grease rails	2
C	Grease filters	3
E	Damper	1
F	Ducting plate	1
X	Motor	1

REF	PART		
G	Pozi Screws (1/8" x 3/8")		4
H	Pozi Screws (3/16" x 1/8")		4
I	Pozi Screws (Screws 3/16" x 1 15/16")		4
L	Pozi Screws (Screws 3/16" x 1 3/4")		4
N	Wall bracket		2

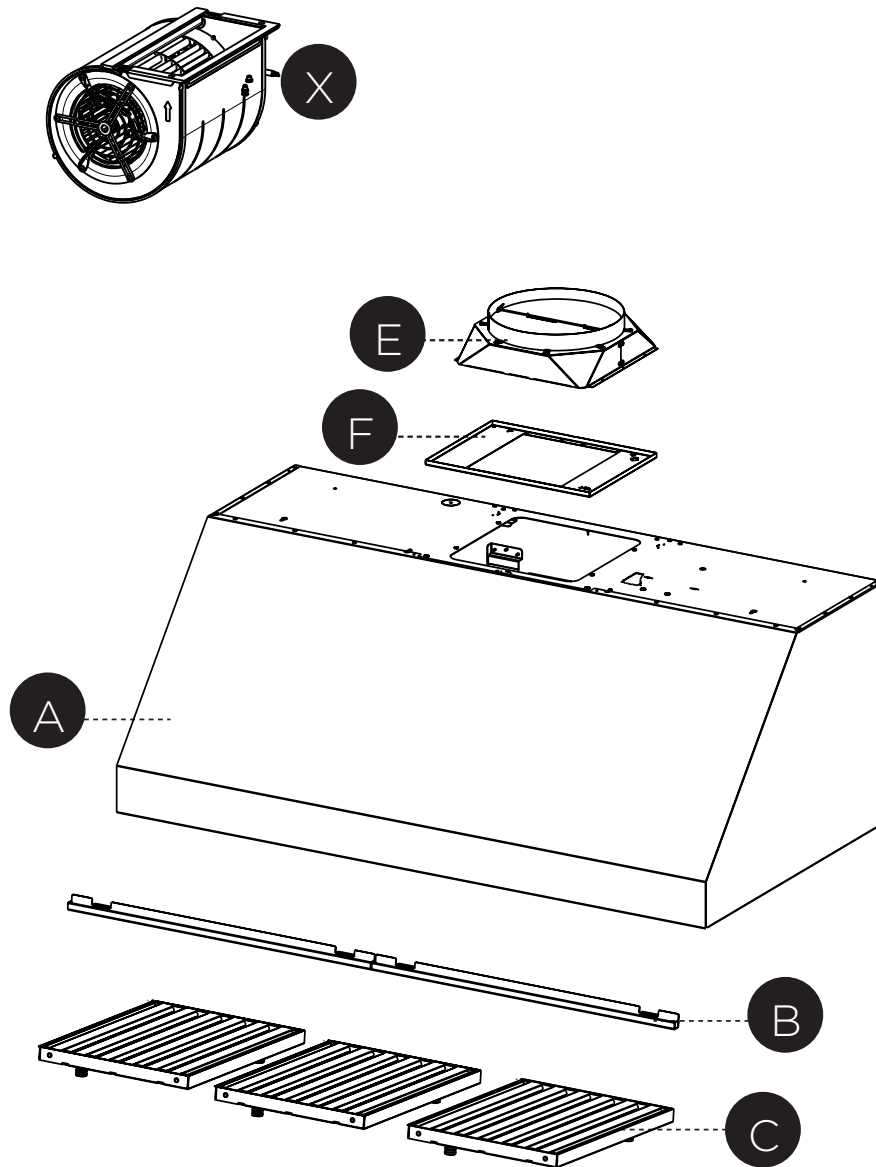
PARTS NEEDED

PART	
8" Round Metal Ductwork	
Foil tape	

ACCESSORIES AVAILABLE

ACCESSORY	SKU#
TELESCOPIC PRO CHIMNEY 36	TELEPRO36
TELESCOPIC BACKSPLASH 36	BACK 36
DUCTLESS KIT 36	DUCTGRT364
CHARCOAL FILTER	FILTER6
FIXED WIRING BOX	WIREBOX2
REMOTE CONTROL	REMCTRL2
SECOND Motor KIT	IB600PR

IMPORTANT: With the second motor kit #IB600PR the recirculating installations is not possible..








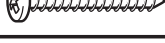



PARTS



BREVA 48

PARTS INCLUDED

REF.	PART	QTY
A	Hood body	1
B	Grease rails	2
C	Grease filters	4
E	Damper	1
F	Ducting plate	1
X	Motor	2

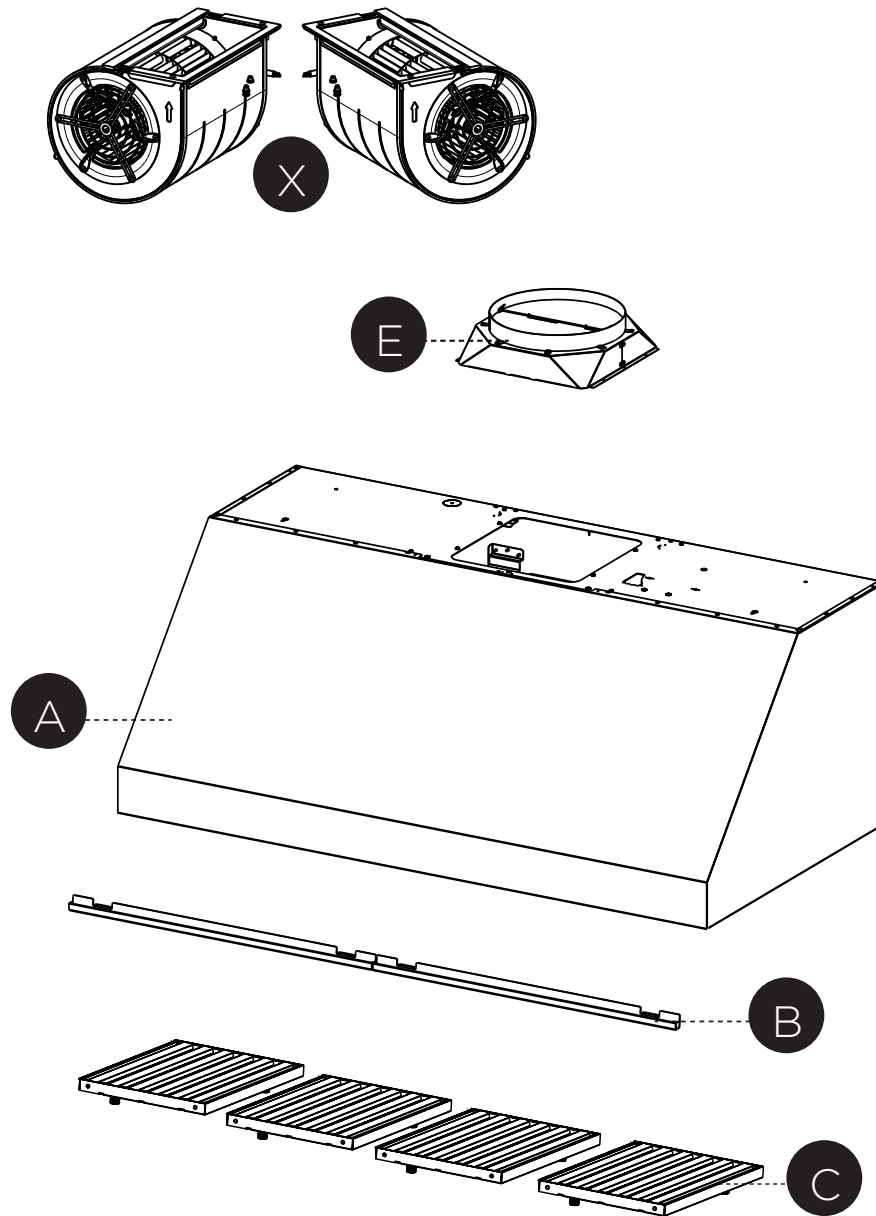
REF	PART		
G	Pozi Screws (1/8" x 3/8")	 	4
H	Pozi Screws (3/16" x 1/8")	 	4
I	Pozi Screws (Screws 3/16" x 1 15/16")	 	4
L	Pozi Screws (Screws 3/16" x 1 3/4")	 	4
N	Wall bracket		2

PARTS NEEDED

PART	
10" Round Metal Ductwork	
Foil tape	

ACCESSORIES AVAILABLE

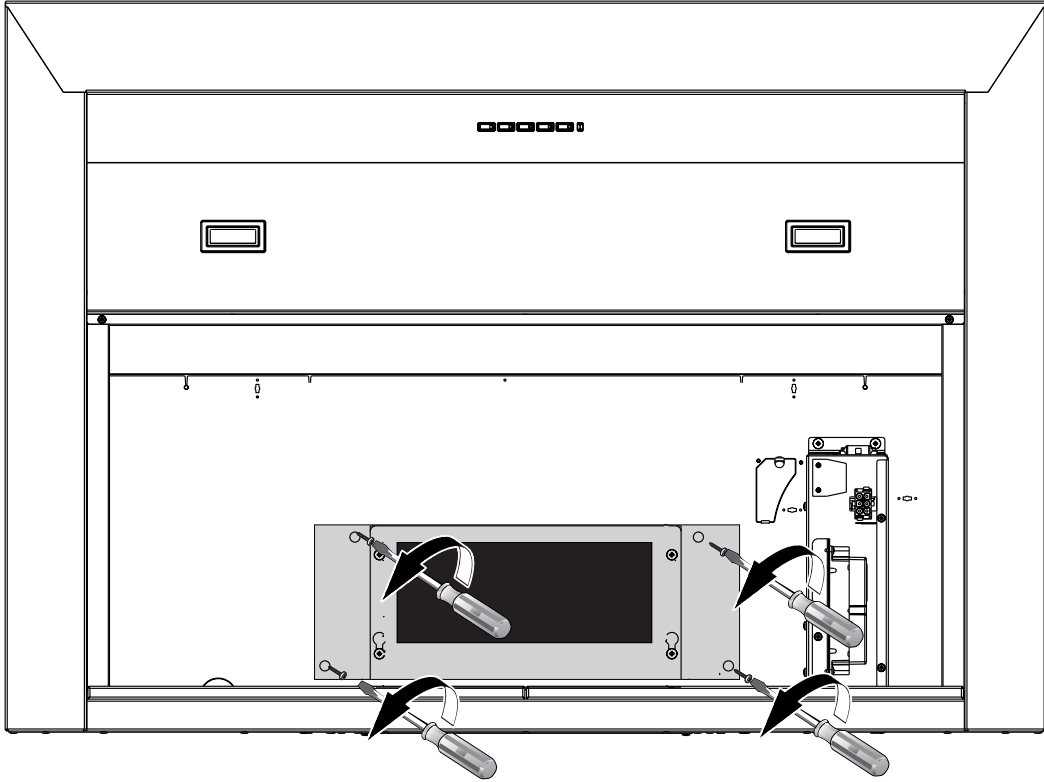
ACCESSORY	SKU#
TELESCOPIC PRO CHIMNEY 48	TELEPRO48
TELESCOPIC BACKSPLASH 48	BACK 48
FIXED WIRING BOX	WIREBOX2
REMOTE CONTROL	REMCTRL2



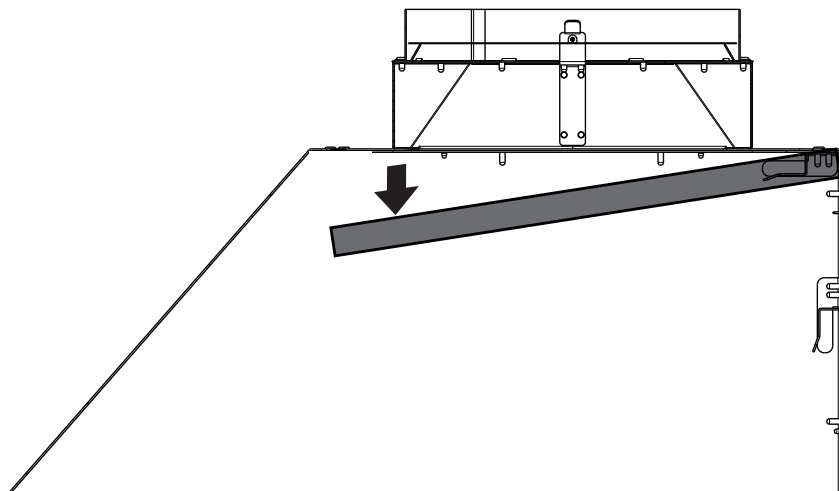
ATTACH THE MOTOR

BREVA 30

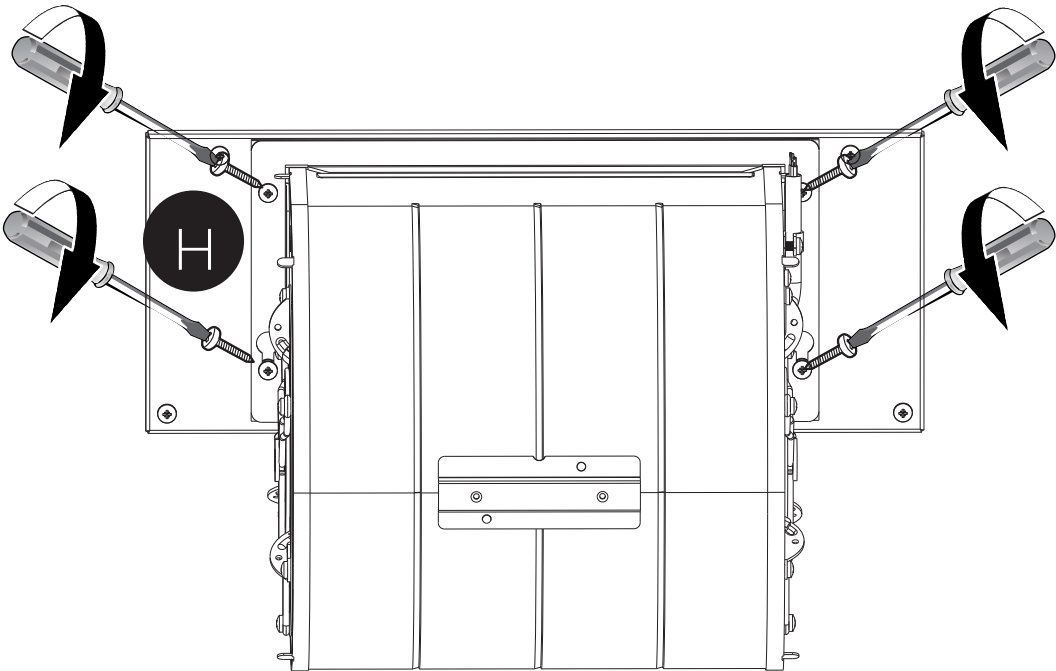
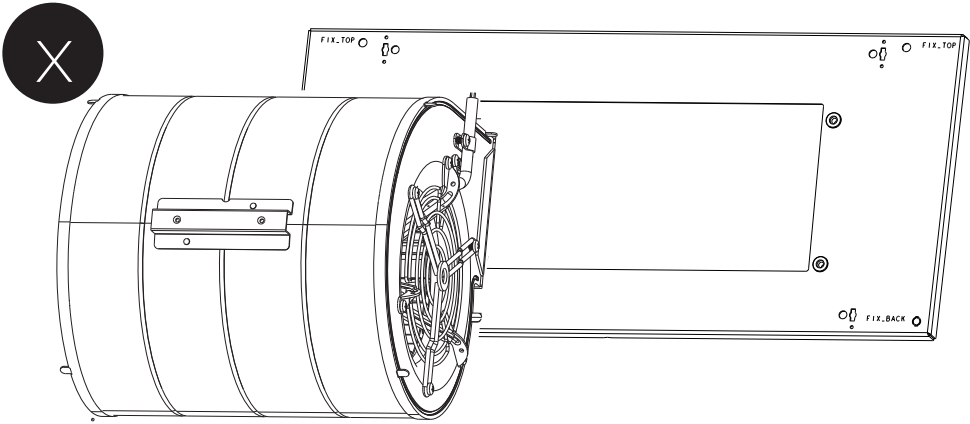
- 1 Remove the 4 screws inside the hood on the Motor support panel.



- 2 Remove the Motor support panel.



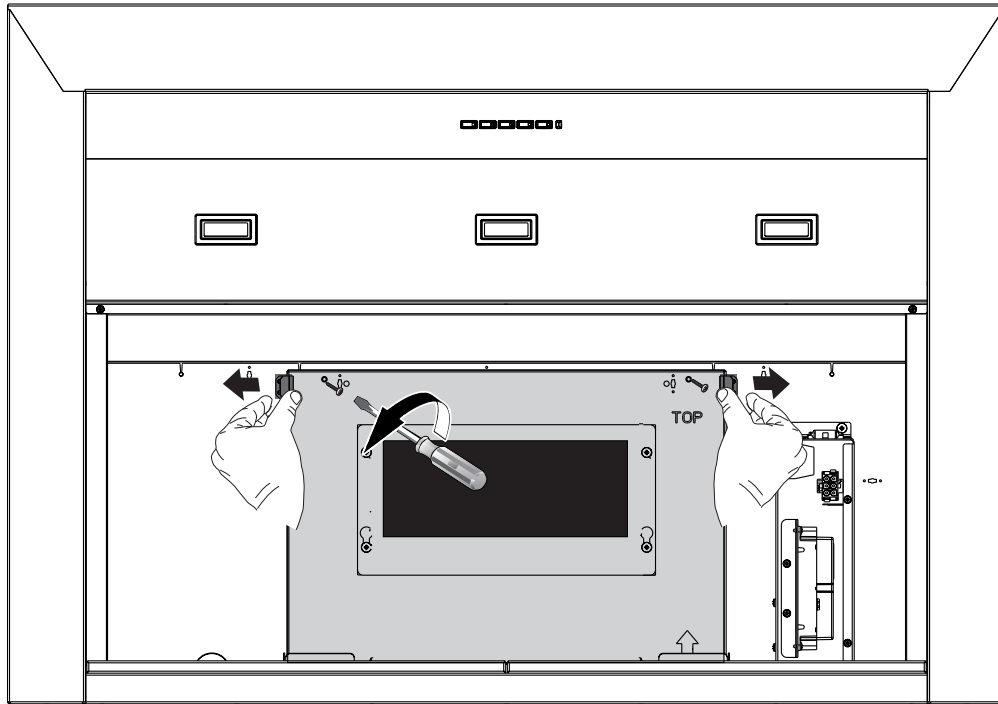
3 Attach the Motor **X** onto the support panel with the 4 screws **H** as shown.
IMPORTANT: Please note the direction of the motor in the drawing.



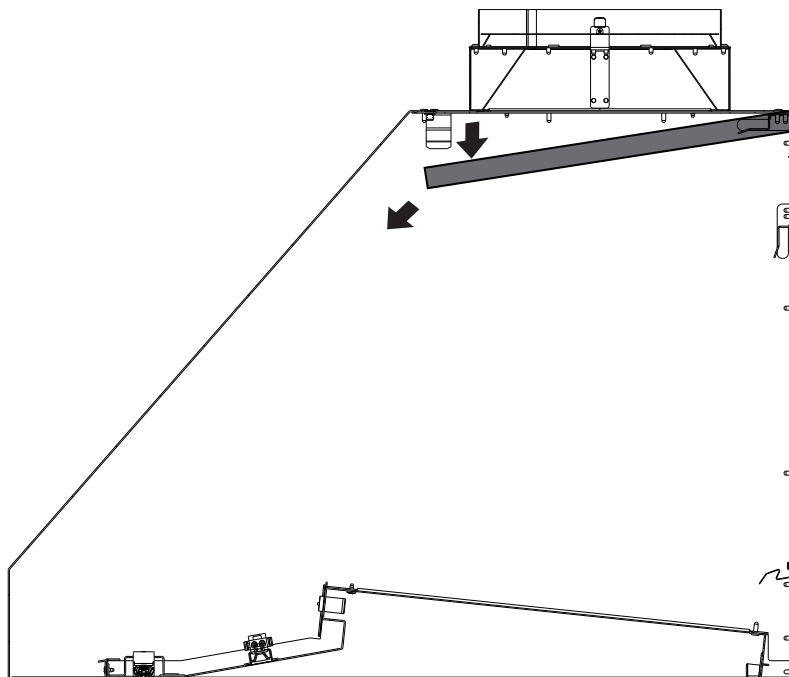
ATTACH THE MOTOR

BREVA 36

- 1 Remove the 2 screws inside the hood on the Motor support panel. Slide the metal clips to the left and right to unlock the Motor support as shown below.



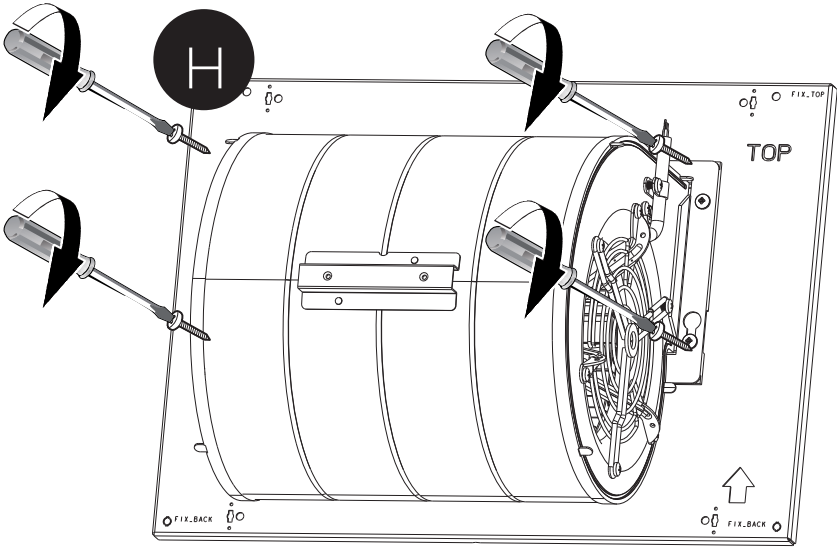
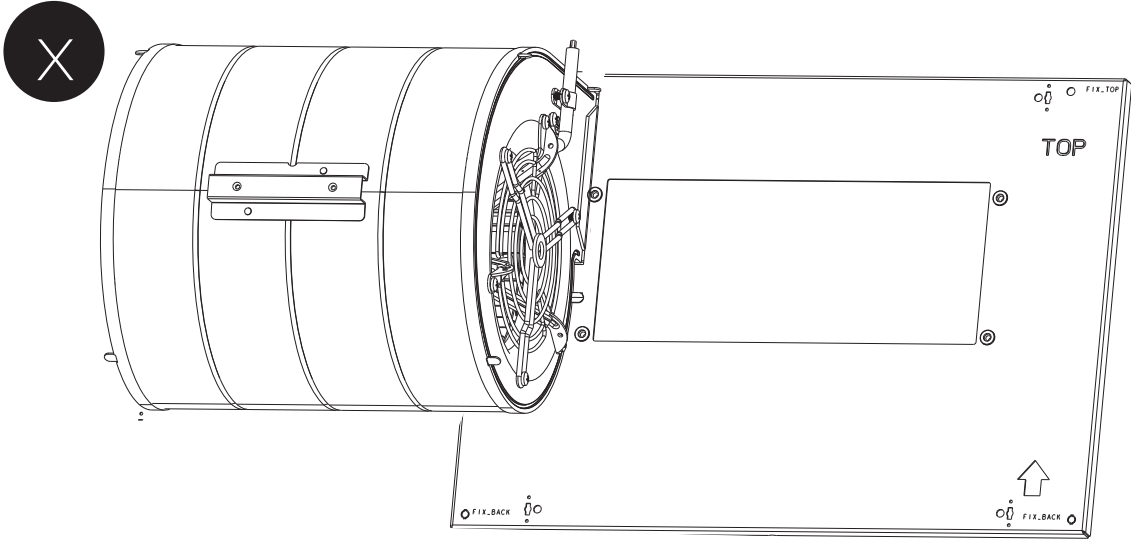
- 2 Remove the Motor support panel by sliding the panel down and towards you away from the brackets.



3

Attach the Motor **X** onto the support panel with the 4 screws **H** as shown.

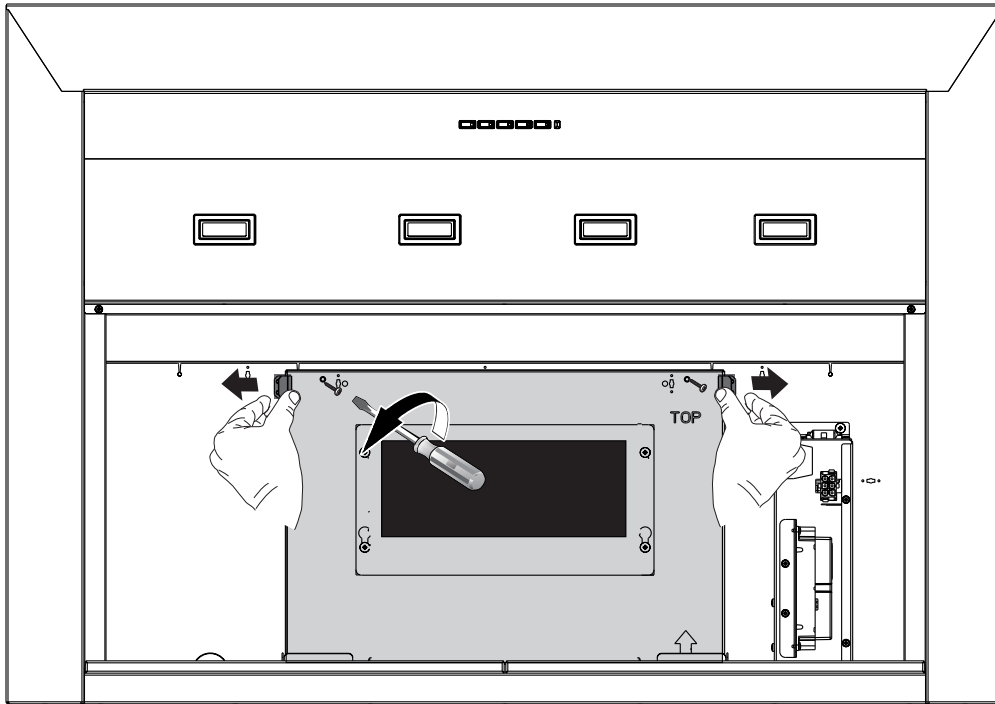
IMPORTANT: Please note the direction of the motor in the drawing.



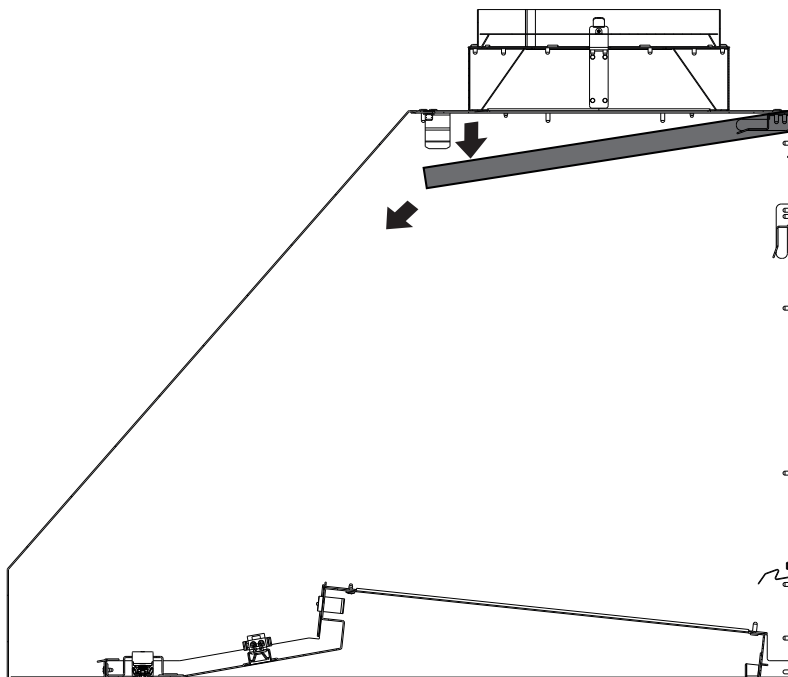
ATTACH THE MOTOR

BREVA 48

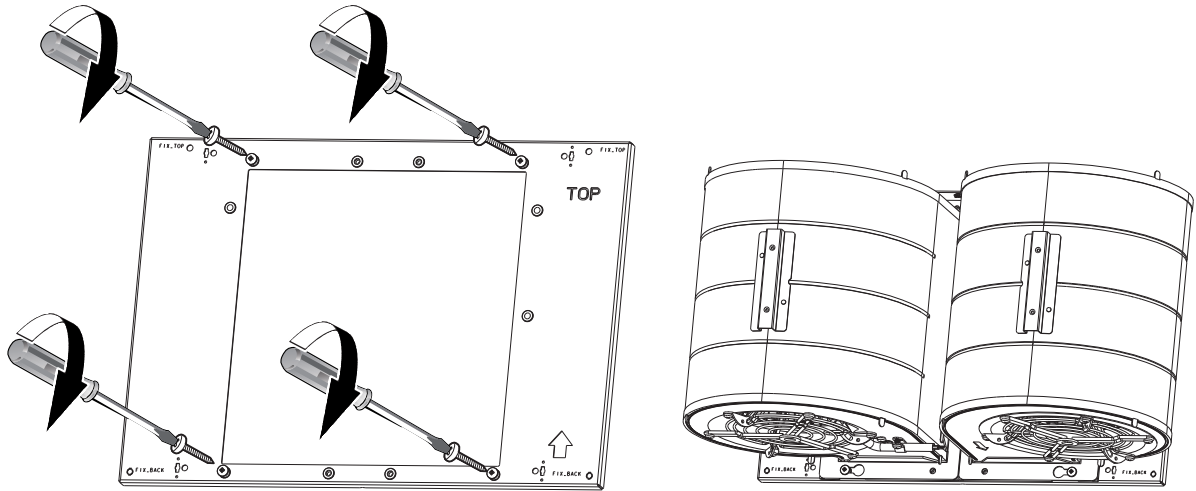
- 1 Remove the 2 screws inside the hood on the Motor support panel. Slide the metal clips to the left and right to unlock the Motor support as shown below.



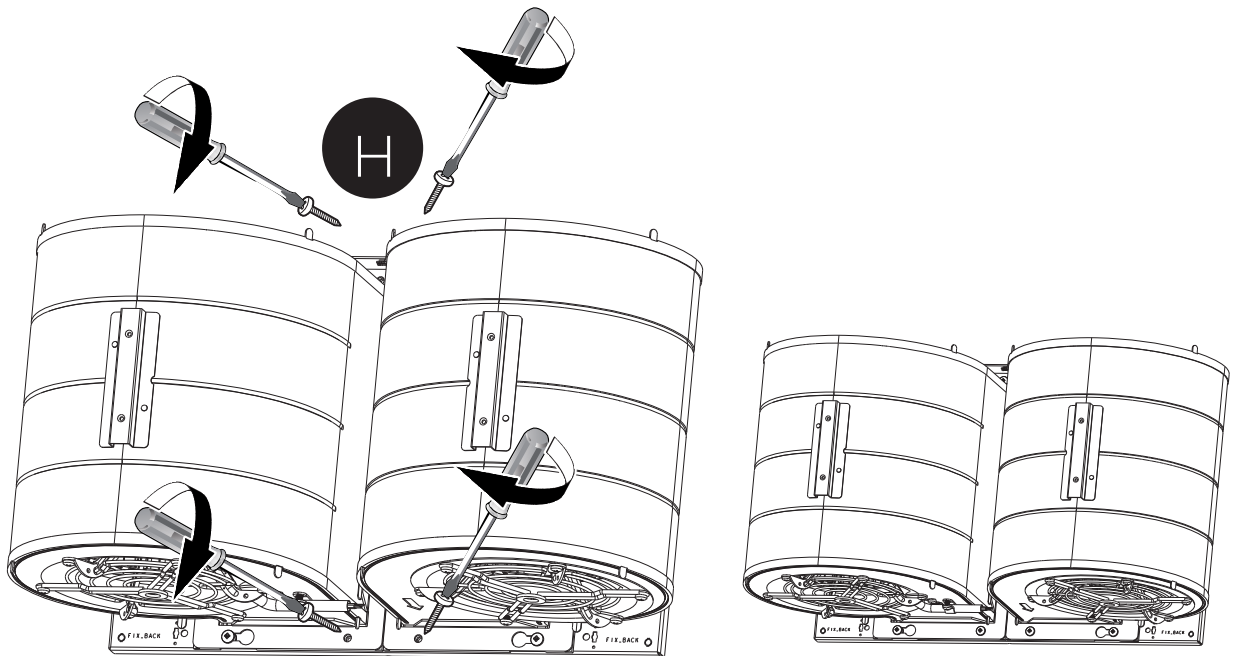
- 2 Remove the Motor support panel by sliding the panel down and towards you away from the brackets.



- 3** Attach the 4 screws **H** as shown onto the support panel and attach the 2 Motors.



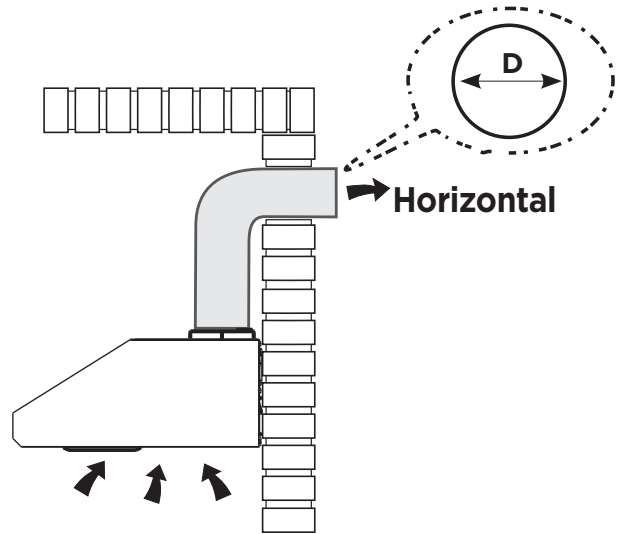
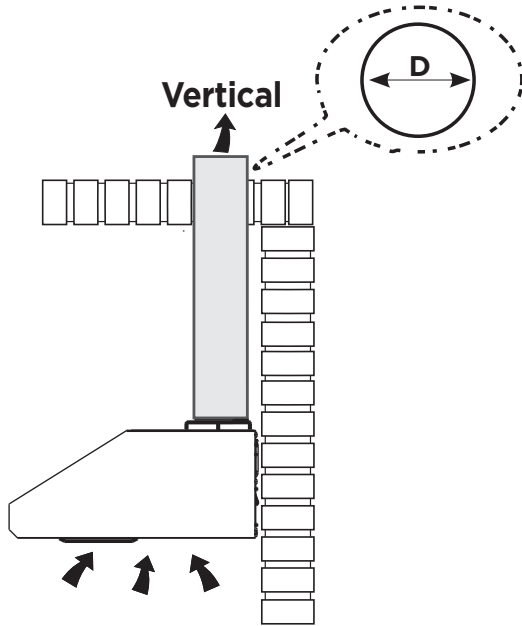
- 4** Attach definitely the 2 Motors **X** onto the support panel with Others 4 screws **H** as shown. **IMPORTANT:** Please note the direction of the motor in the drawing.



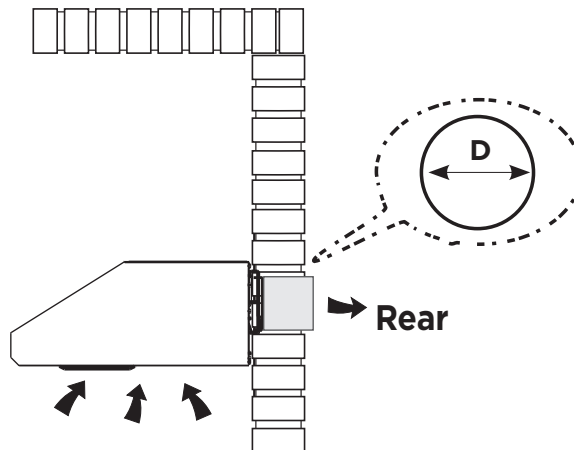
VENTING METHOD

REAR OR TOP VENTED

	Breva 30 Breva 36	Breva 48
D	8"	10"



Go to Pg.23



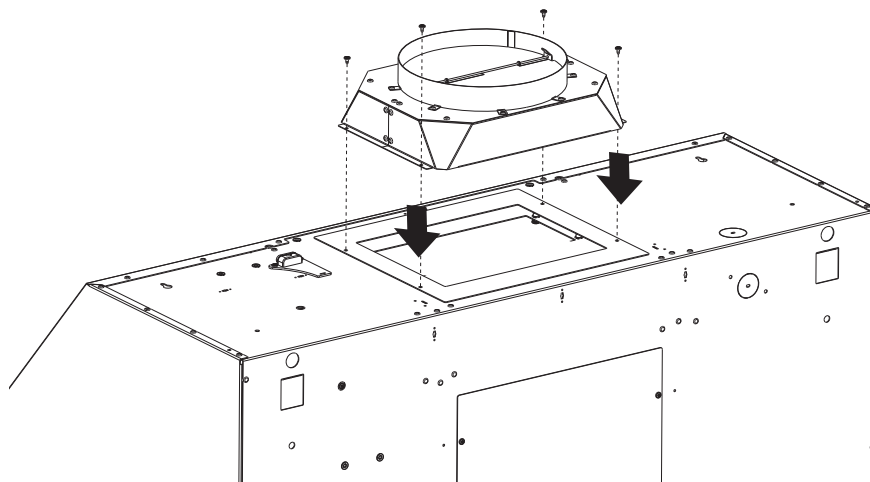
Go to Pg.26

MOUNT THE MOTOR INTO THE HOOD

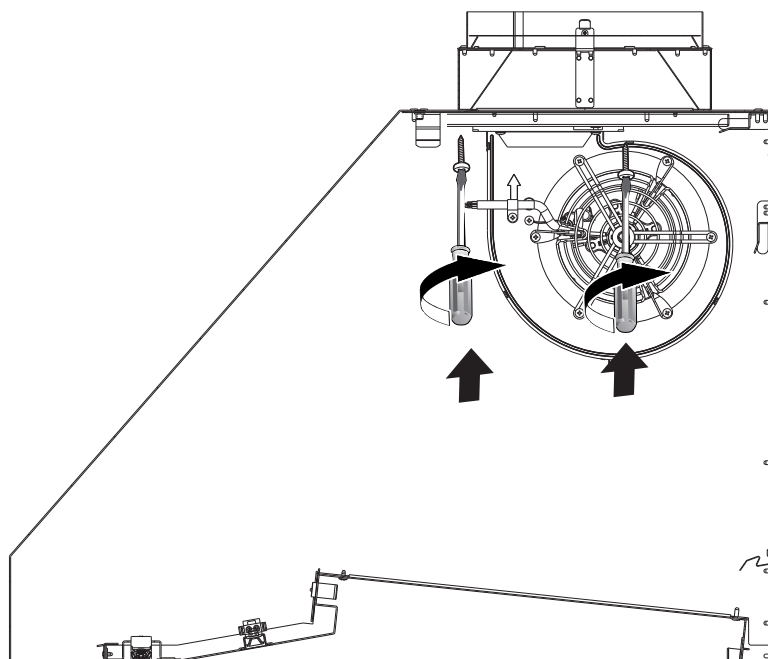
BREVA 30

Top position

- 1 Attach the Damper **E** with 4 screws **G**.



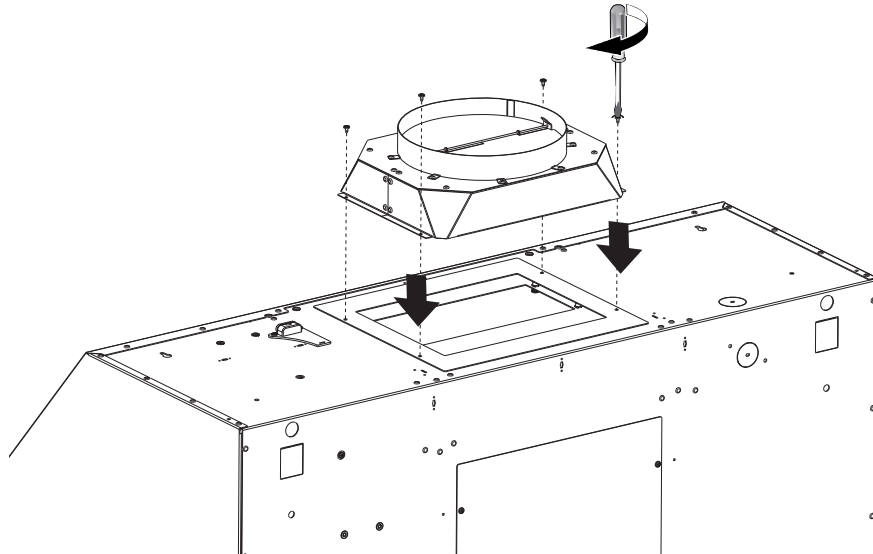
- 2 **IMPORTANT** - Attach the 4 previously removed screws to lock the motor in place.



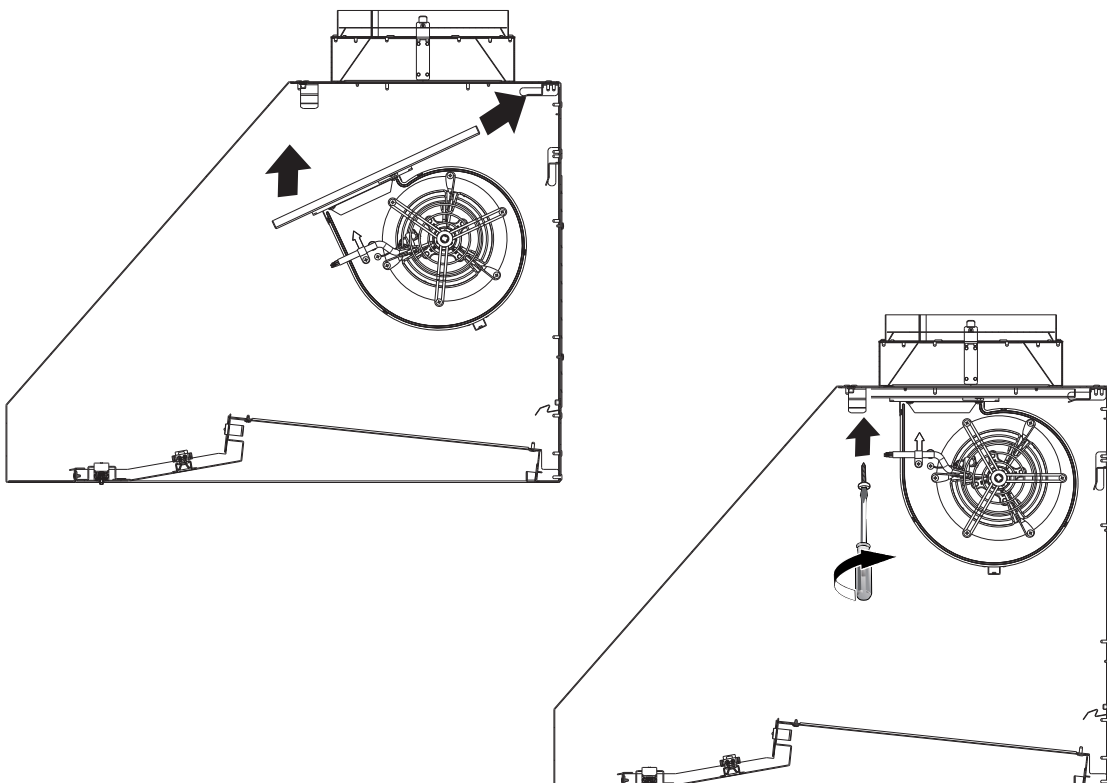
BREVA 36

Top position

- 1 The Ducting plate **F** is fix with 4 screws, remove these 4 screws and use it to attach the Damper **E** over the Ducting plate.



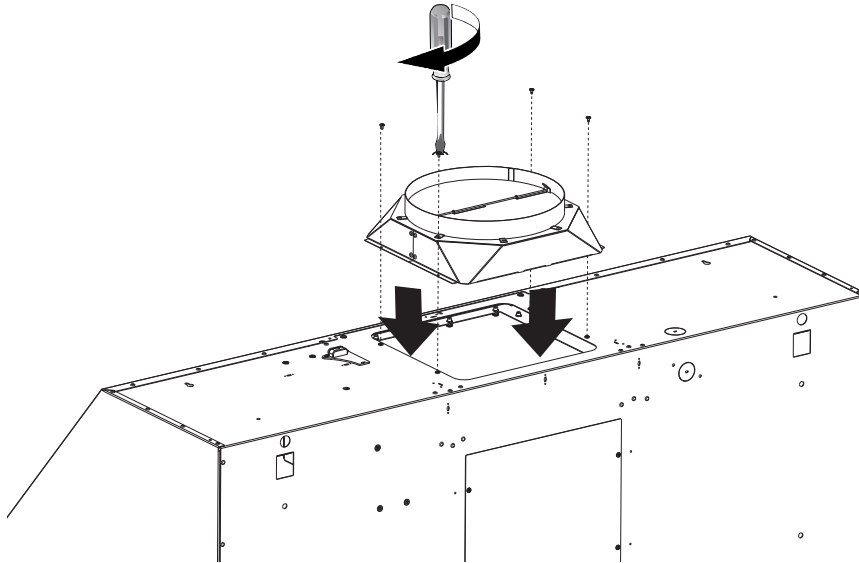
- 2 Slide the Motor support plate with attached Motor into the metal brackets until the clips engage the Motor. **IMPORTANT** - Attach the 2 previously removed screws to lock the motor in place.



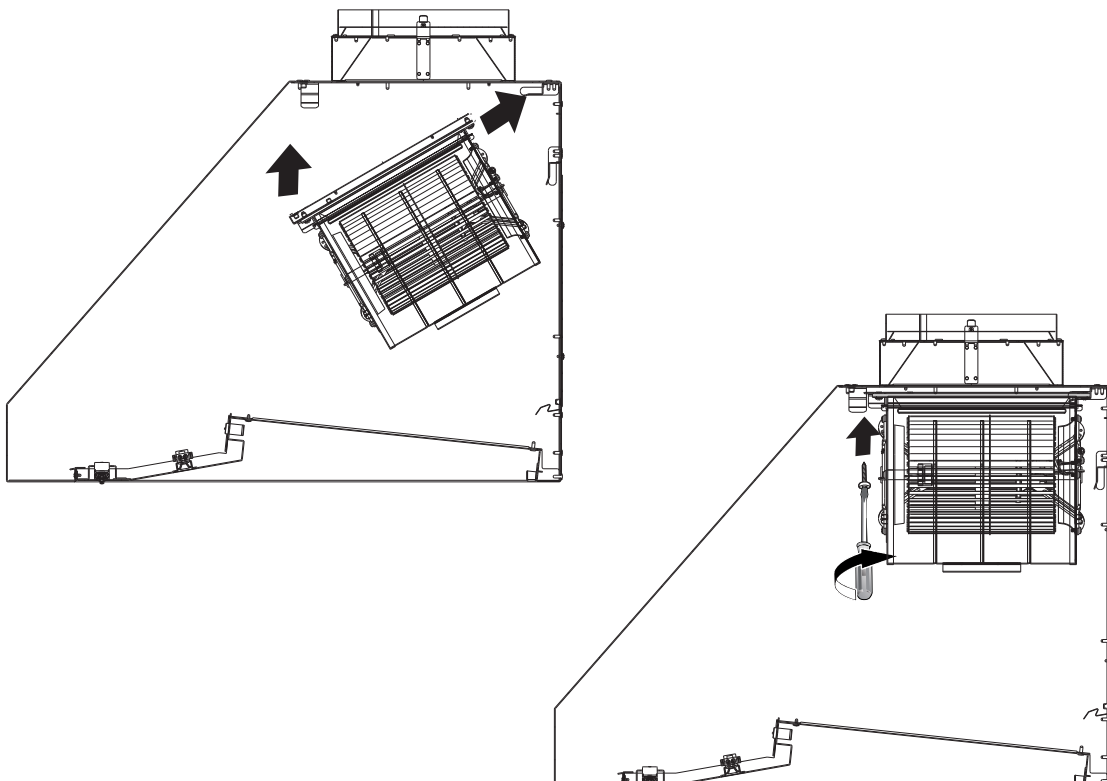
BREVA 48

Top position

- 1 Attach the Damper **E** with 4 screws **G**.



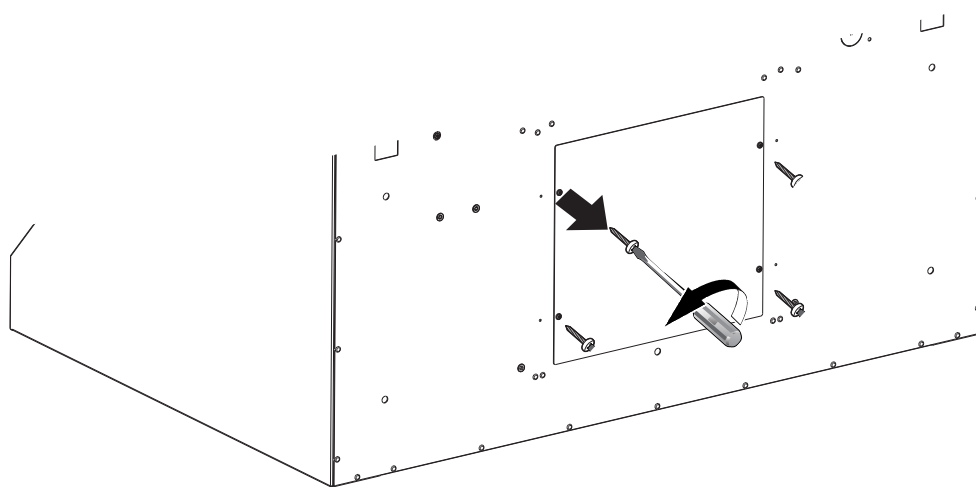
- 2 Slide the Motor support plate with attached Motor into the metal brackets until the clips engage the Motor. **IMPORTANT** - Attach the 2 previously removed screws to lock the motor in place.



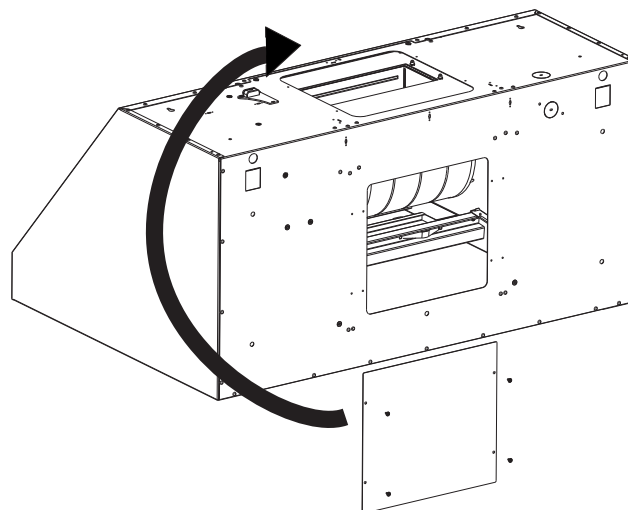
BREVA 30

Ducting to the back

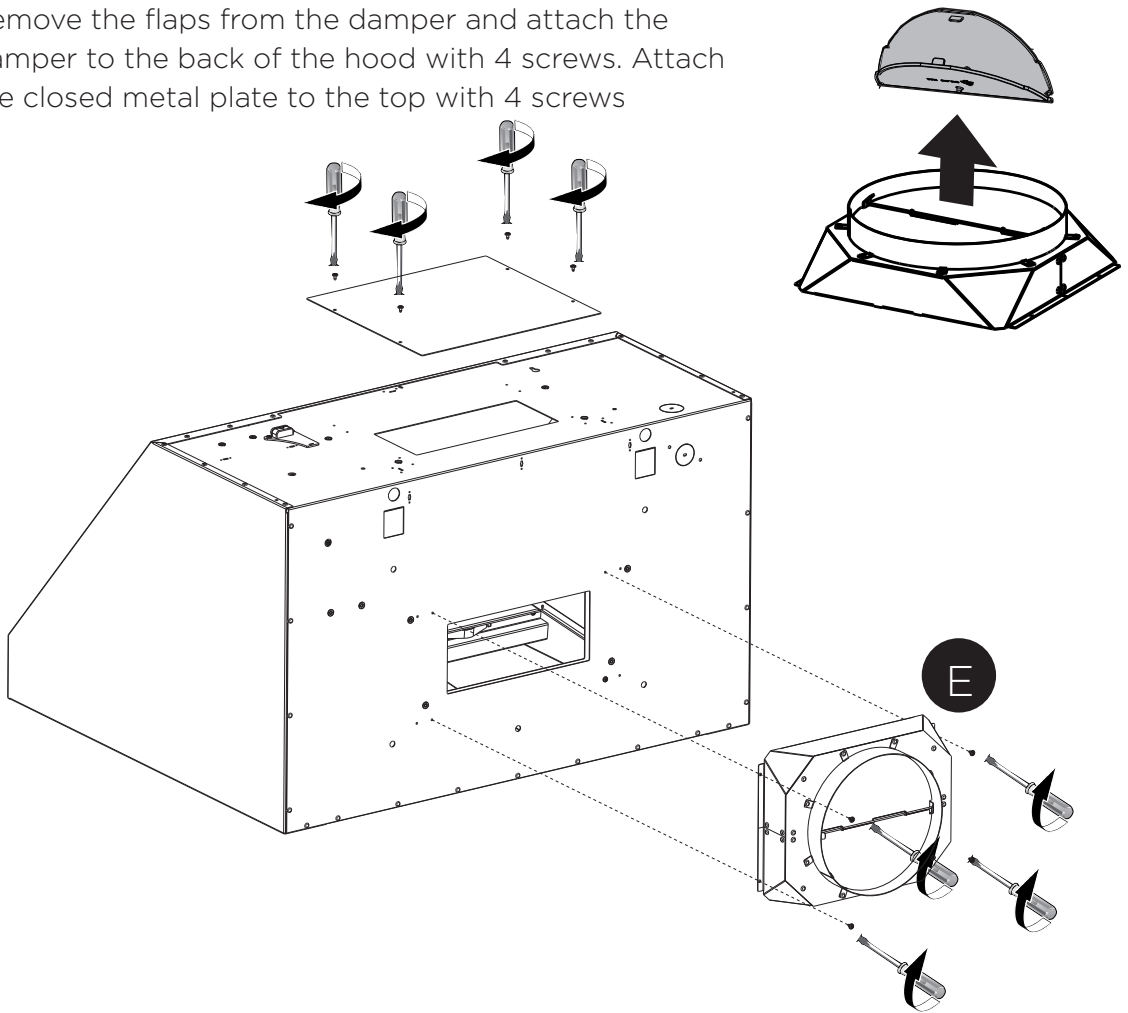
- 1 Unscrew and remove the duct plate on the back of the hood



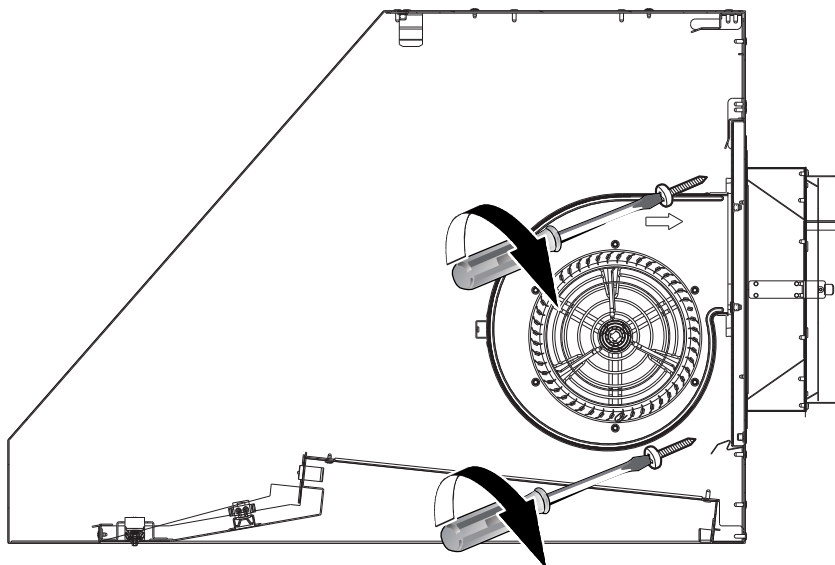
- 2 Attach the plate removed previously on the top and now the open plate is on the back.



- 3** Remove the flaps from the damper and attach the damper to the back of the hood with 4 screws. Attach the closed metal plate to the top with 4 screws



- 4** Attach the 4 previously removed screws to lock the motor in place.

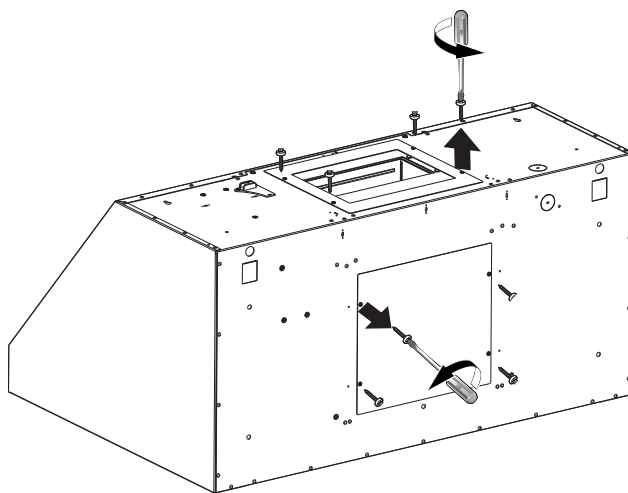


BREVA 36

Ducting to the back

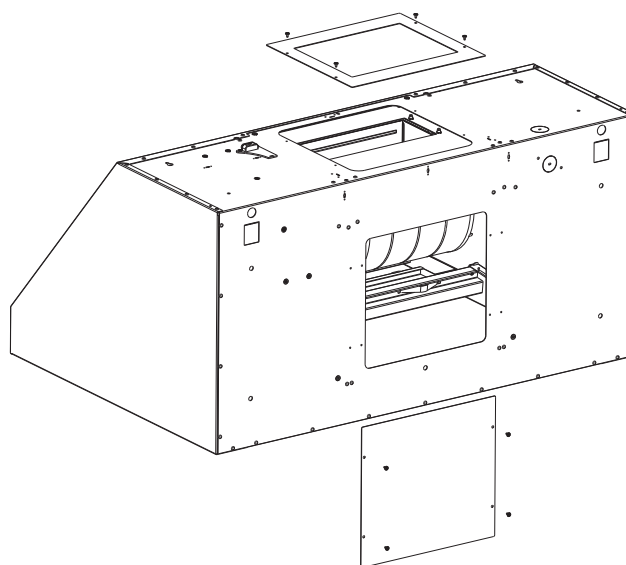
1

Unscrew and remove the two duct plates on the top and back of the hood

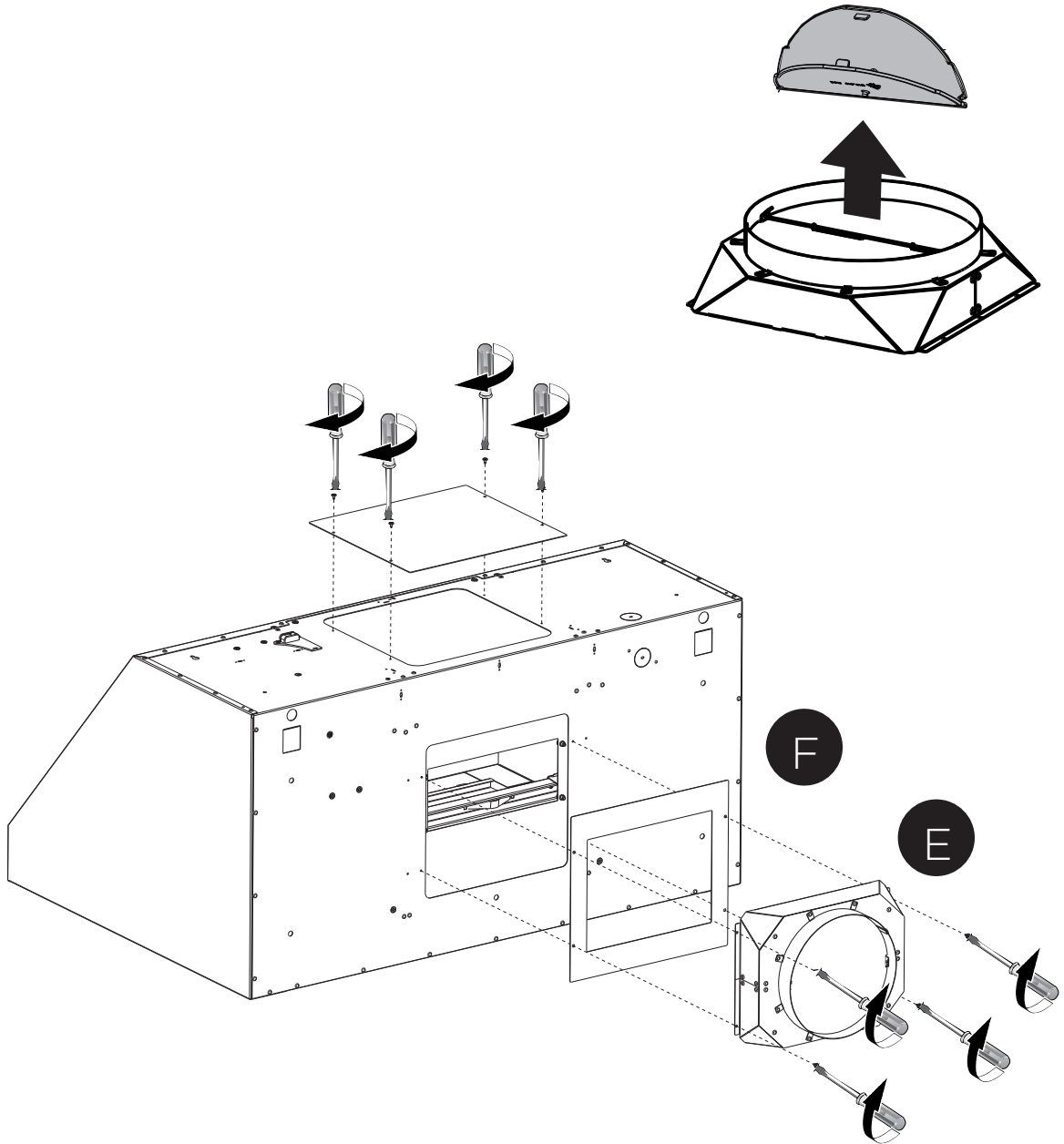


2

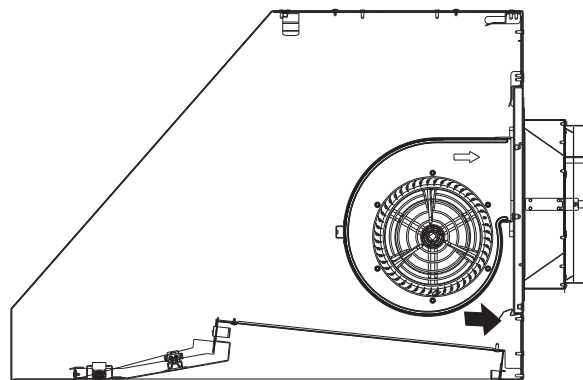
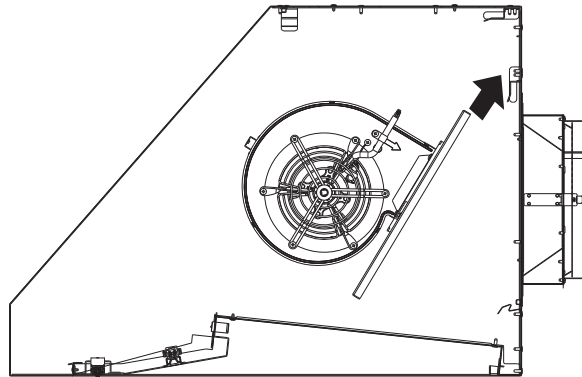
Swap the location of the two plates, so that the closed metal plate is now on top and the open plate is on the back



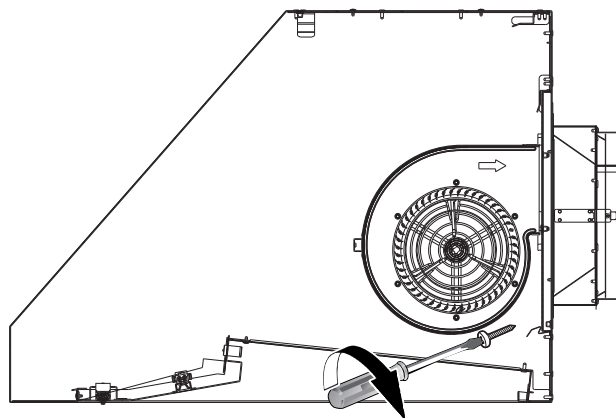
- 3** Remove the flaps from the damper and attach the open plate and the damper to the back of the hood with 4 screws. Attach the closed metal plate to the top with 4 screws



- 4** Place the Motor support plate (with Motor) onto the back wall of hood by sliding the top in first and then the bottom.



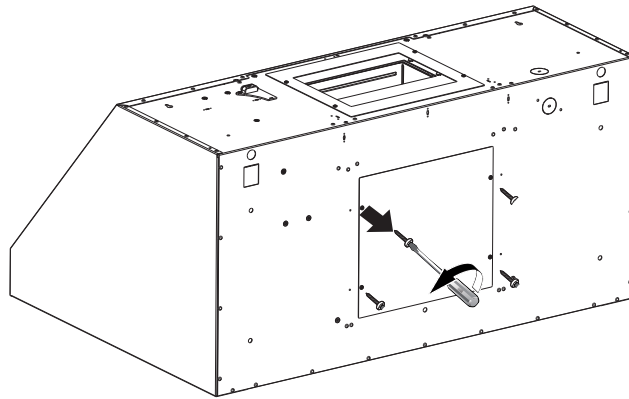
- 5** Attach the 2 screws previously removed.



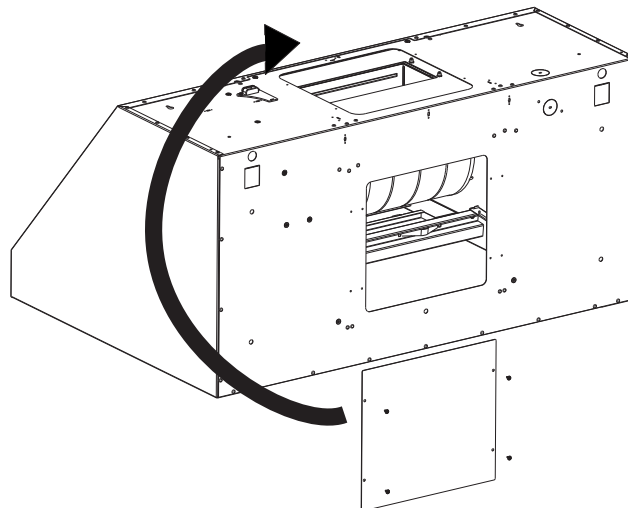
BREVA 48

Ducting to the back

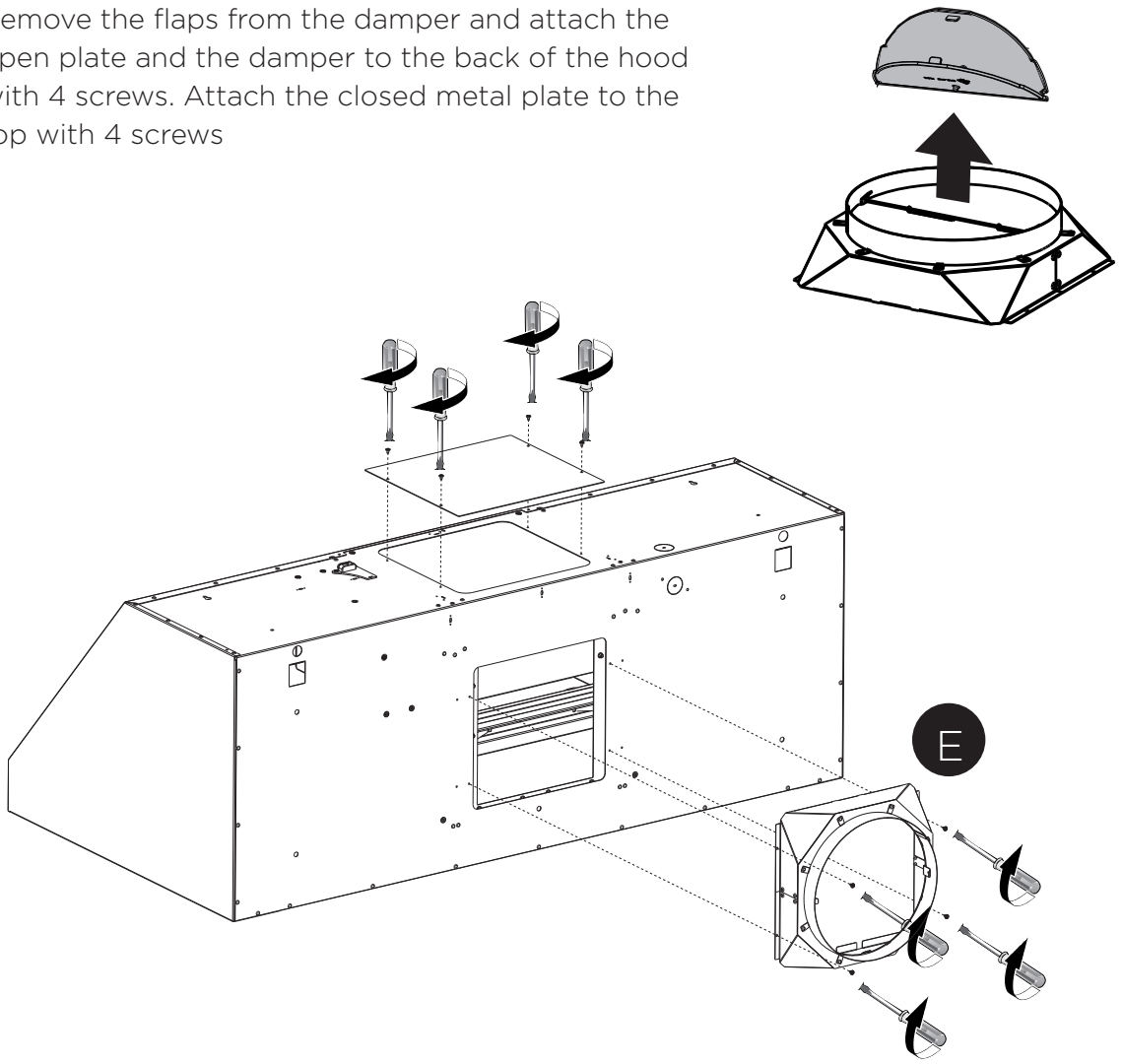
- 1 Unscrew and remove the duct plates on the back of the hood



- 2 Swap the location of the two plates, so that the closed metal plate is now on top and the open plate is on the back

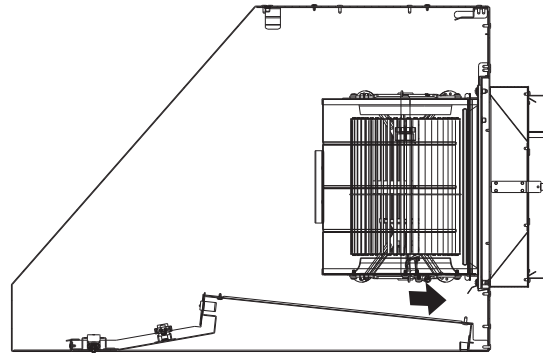
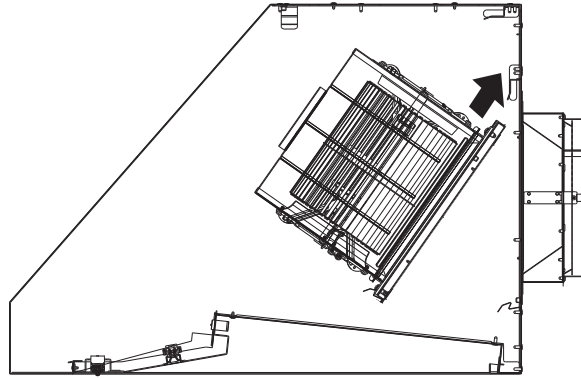


- 3** Remove the flaps from the damper and attach the open plate and the damper to the back of the hood with 4 screws. Attach the closed metal plate to the top with 4 screws



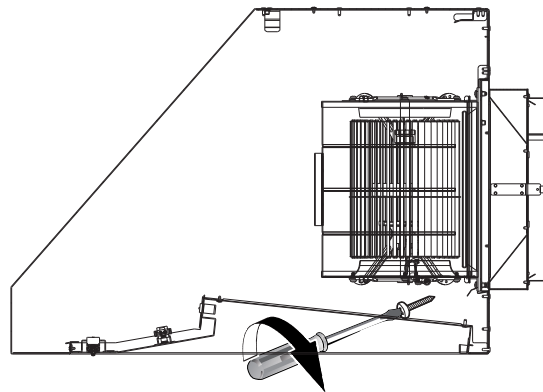
4

Place the Motor support plate (with Motor) onto the back wall of hood by sliding the top in first and then the bottom.



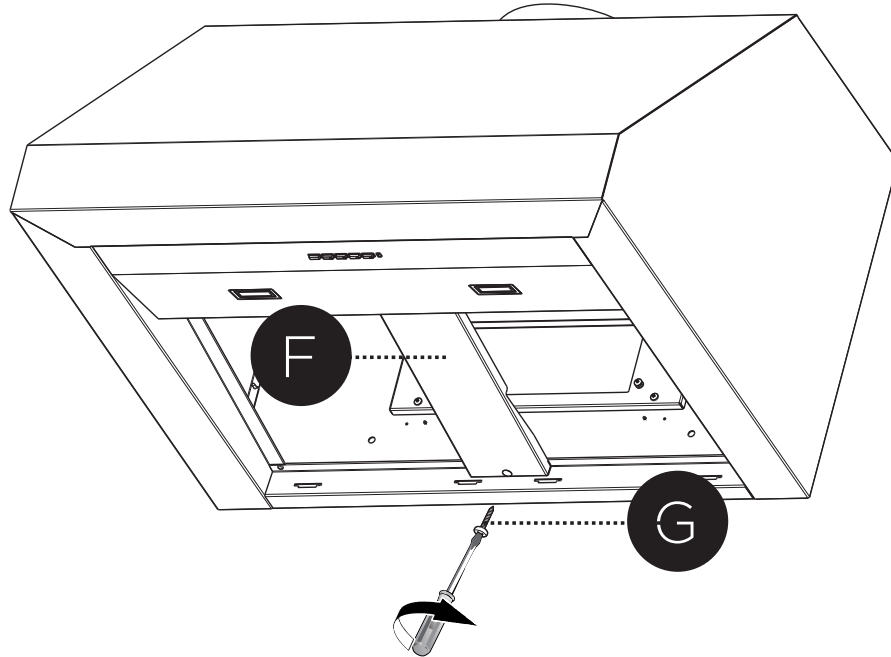
5

Attach the 2 screws previously removed.

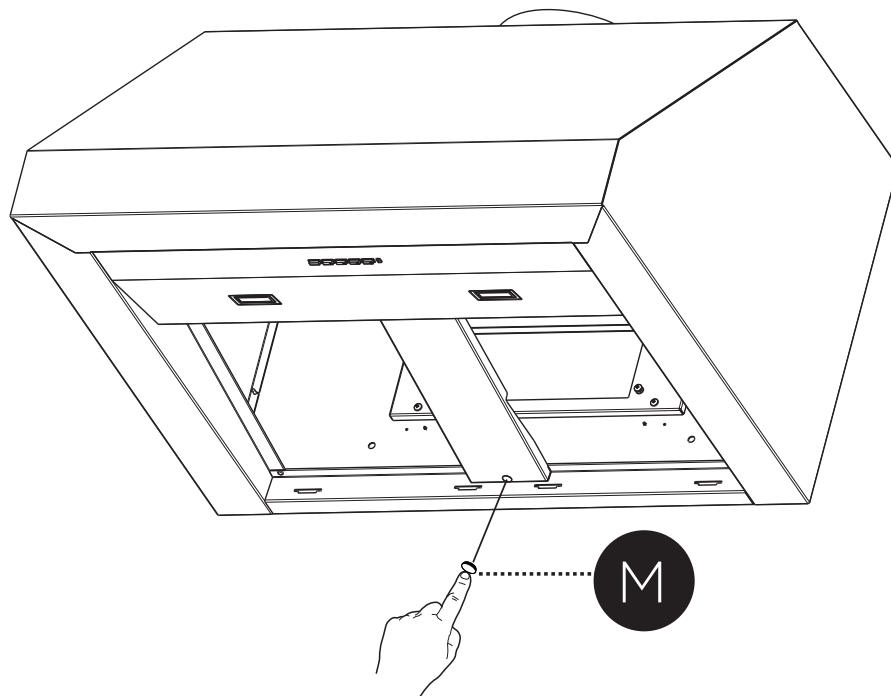


MOUNT THE SPACER (ONLY FOR BREVA 30)

- 1** Attach the spacer **F** with a screw **G**.



- 2** Attach the cap **M**.



RECIRCULATION INSTRUCTIONS - ONLY FOR BREVA30 AND BREVA36

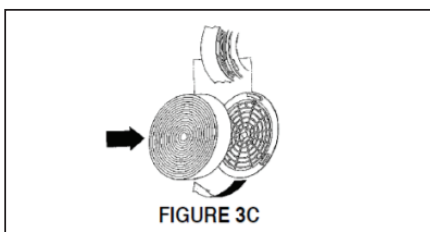
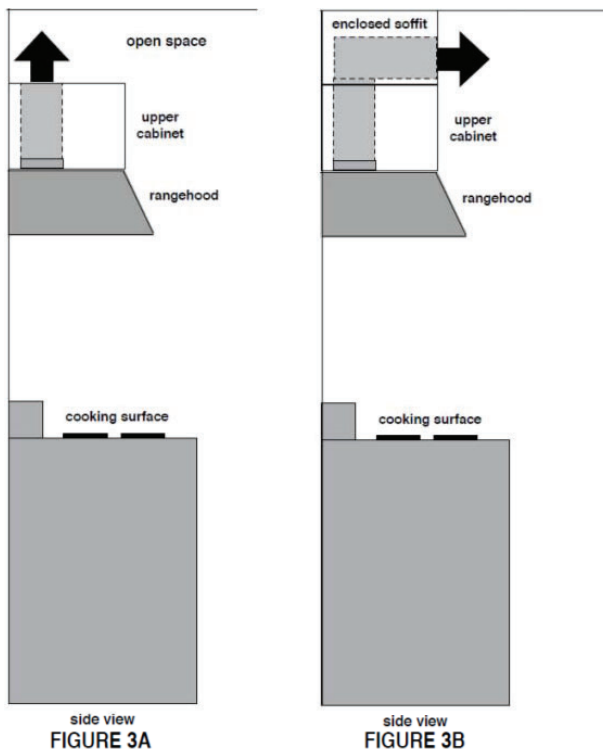
For recirculating installations, Charcoal Filters are necessary. Remove all grease filters and set aside. Attach one charcoal filter to each end of the Motor. Each charcoal filter attaches to the grid on the side of the Motor. Rotate the filter clockwise to install and counterclockwise to remove (FIGURE 3C). Replace all grease filters.

There are 2 ways to recirculate the hood:

1) Use the Ductless Recirculating Kit (**sold separately**), refer to installation instructions inside the Recirculating Kit which includes charcoal filters.

DUCTGRT304 or # DUCTGRT364

2) Duct work must be installed to exhaust the rangehood back into the kitchen, either at the top of the cabinet (FIGURE 3A) or at the face or side of the soffit (FIGURE 3B). Install at least 15" of metal duct (fig.3A and 3B) at the air exit. Run the duct vertically and secure it at the opening cut out at the top or side of the cabinet or soffit. Installation of metal grill is recommended. This duct work must not terminate into a dead air space. # FILTER6 must be purchased to complete this type of installation.



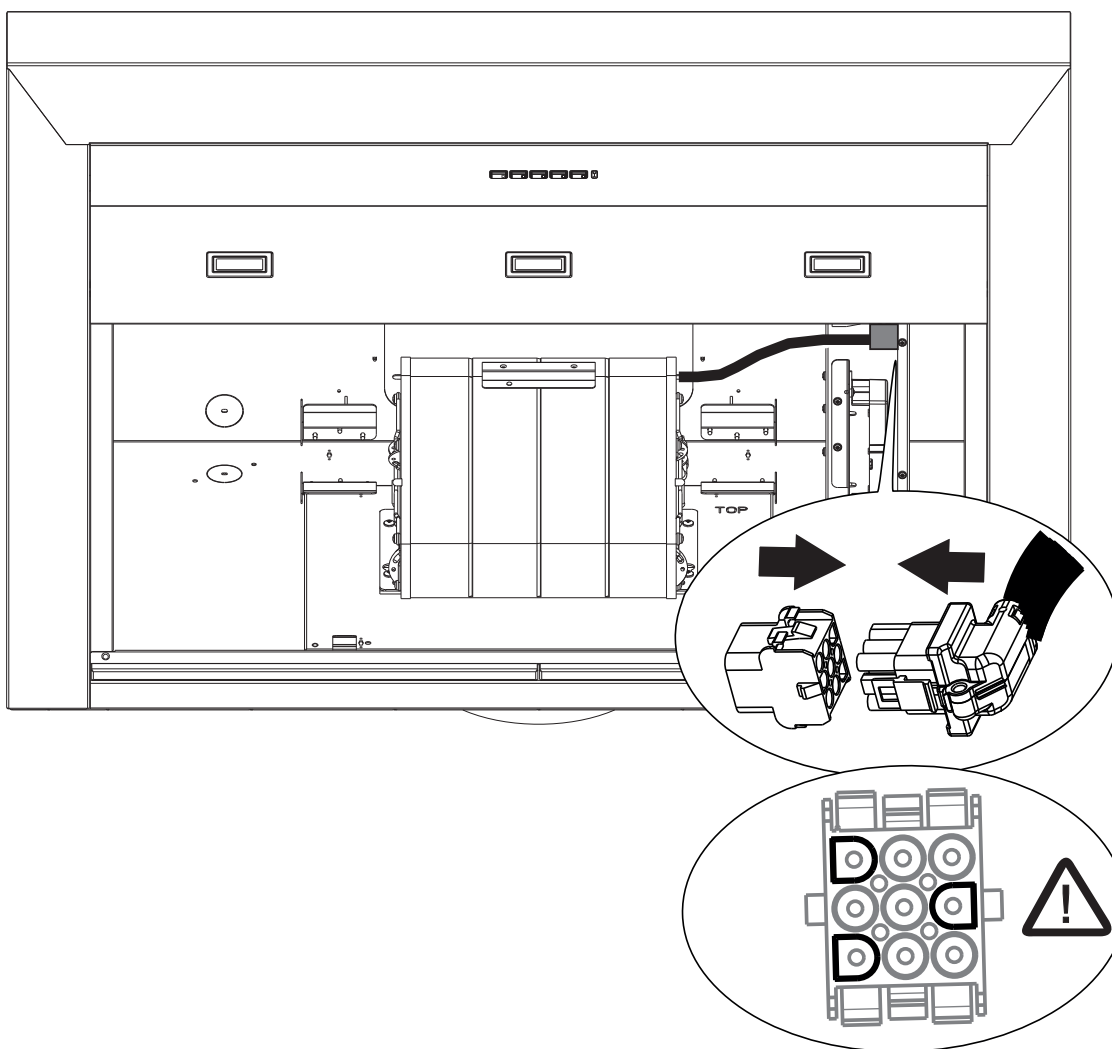
Note: It is recommended that professional style cooking always be vented to the outside; for recirculating installations, some duct work is required to exhaust the unit out of the cabinet.

CONNECT THE MOTOR CABLE

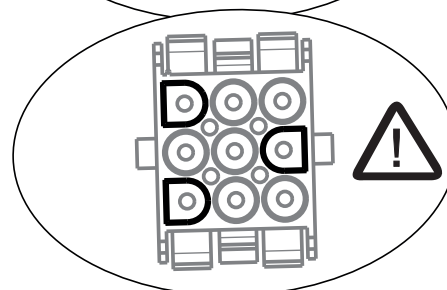
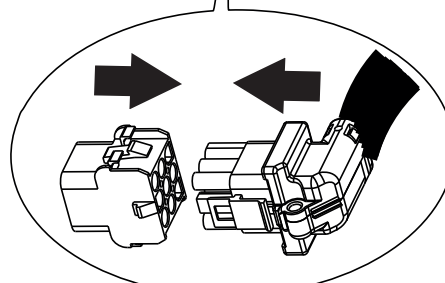
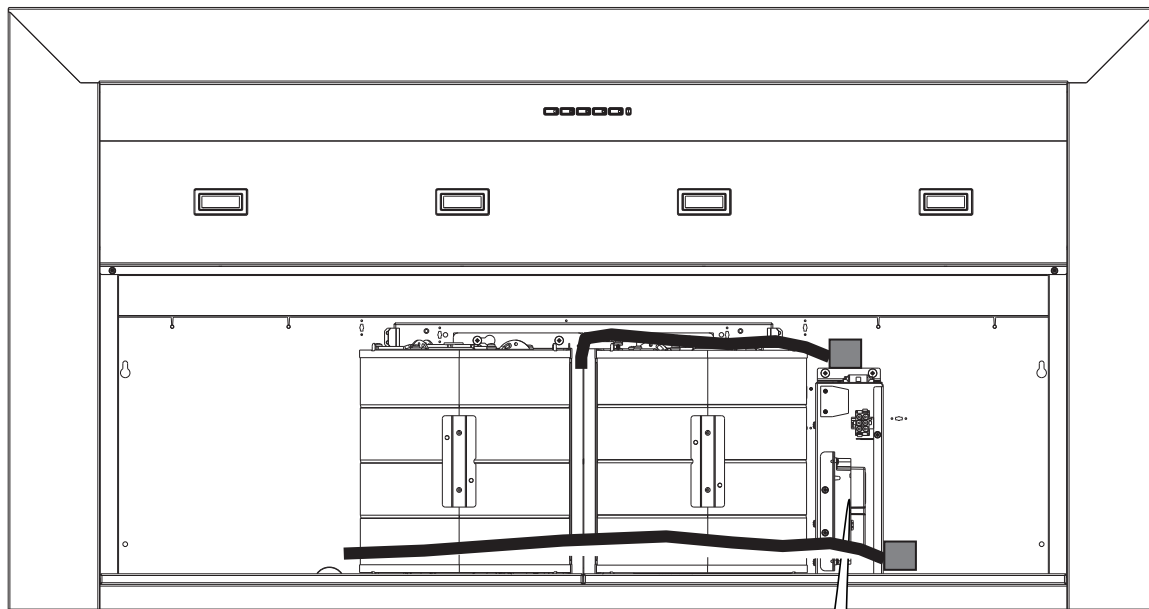
1

Connect the Motor cable to the control box inside the hood body.
IMPORTANT: please note the correct direction of the pins in the connector. Be sure to line up the same shaped pins. Failure to do so could damage the product.

BREVA 30 and BREVA 36



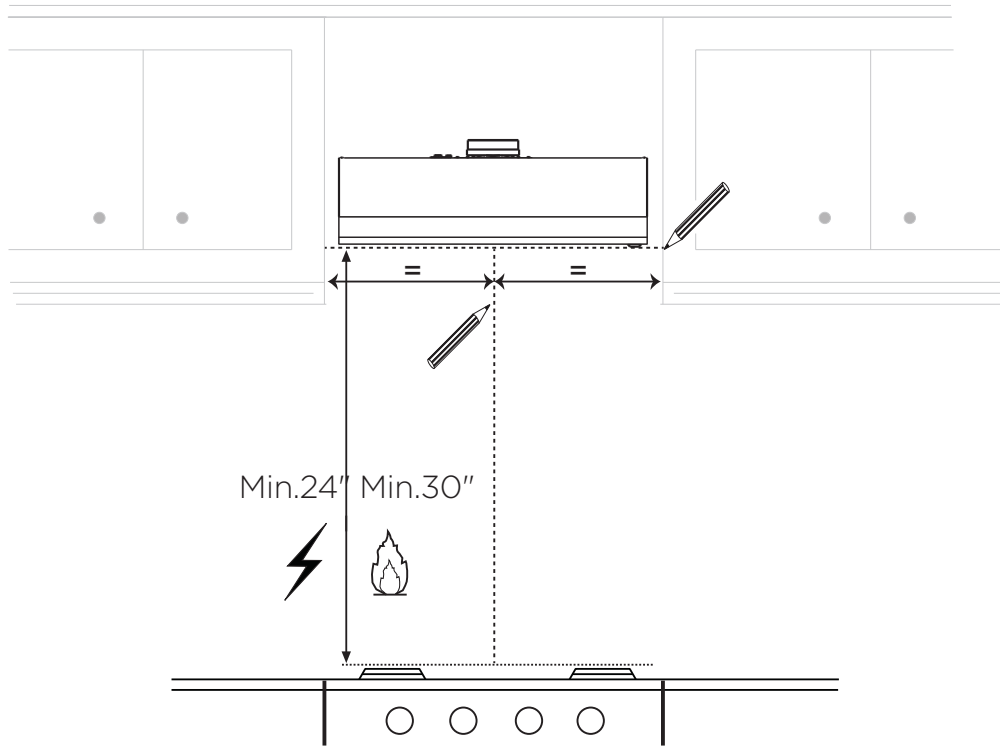
BREVA 48



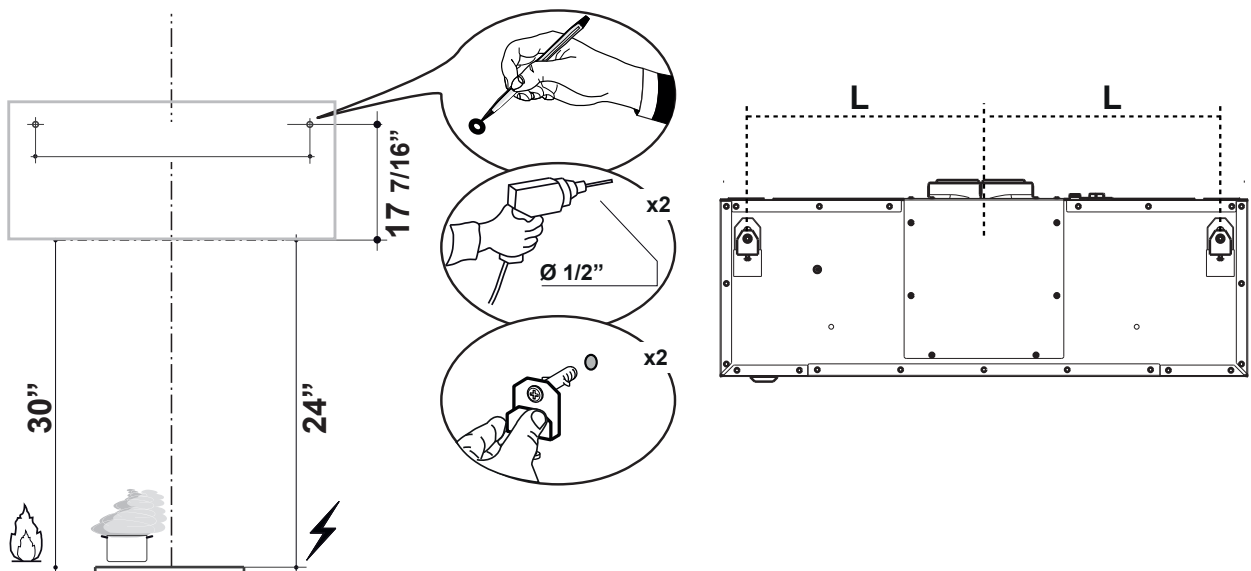
MOUNTING ON THE WALL

- 1 Draw a vertical line on the supporting wall as high as practical, at the center of the area in which the hood will be installed.

Draw a horizontal line at where the bottom edge of the hood will be located as indicated in the figure that is a minimum of 24" - 30" above cooking surface

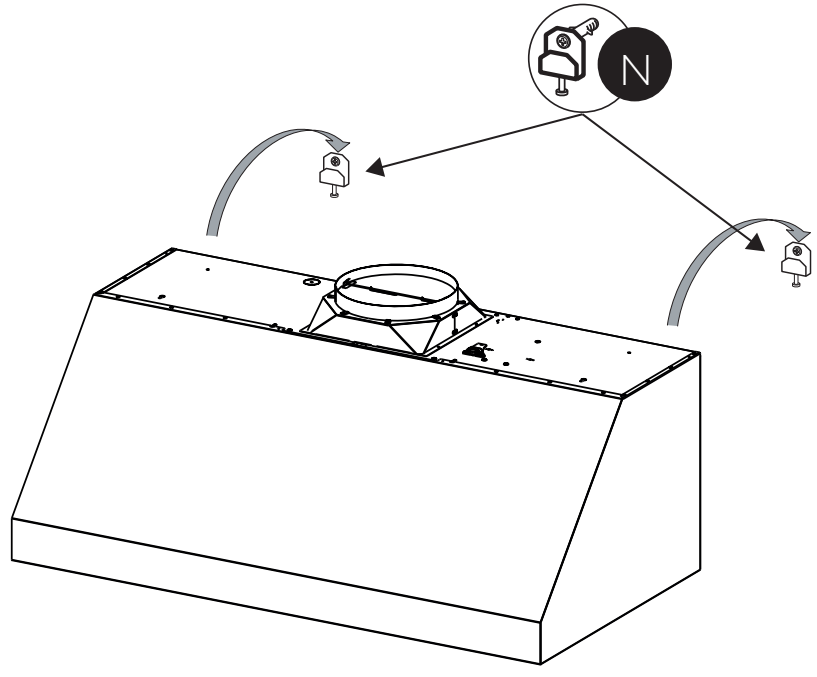


- 2 Mark the wall where indicated at 17 7/16" above the horizontal line at the bottom of the hood. Measure and mark the distance L from the left and right of the vertical line as indicated.

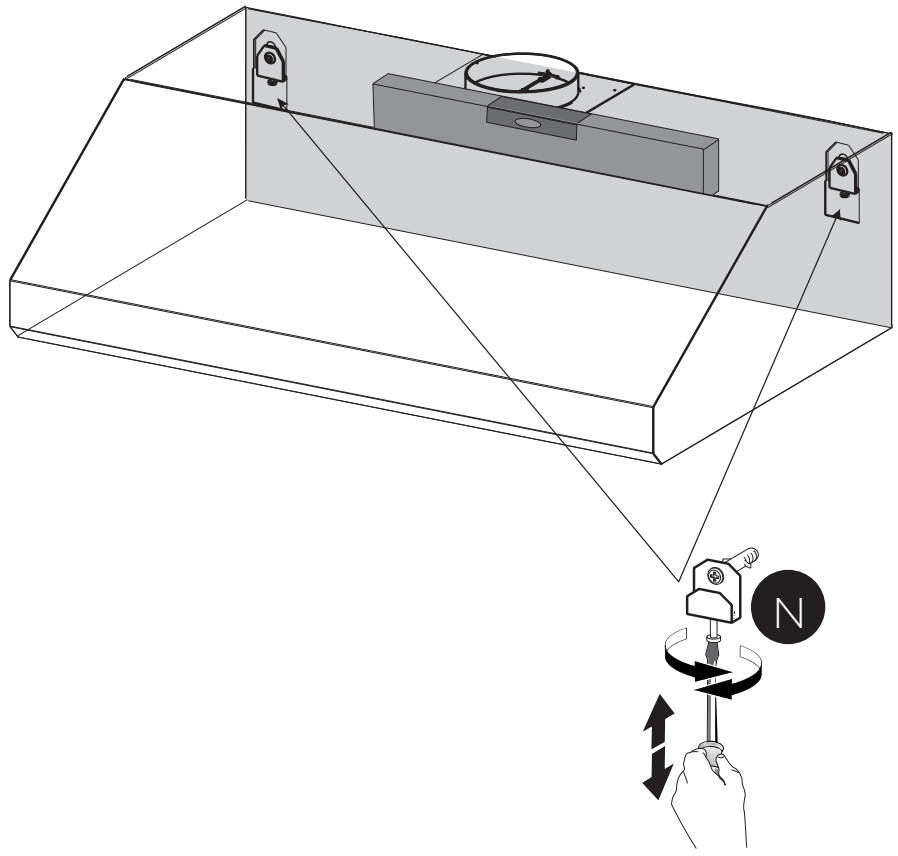


	Breva 30	Breva 36	Breva 48
L	8"	14 15/16"	19"

3 Hang the hood body onto the wall brackets **N**.

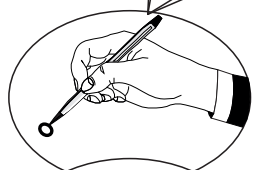
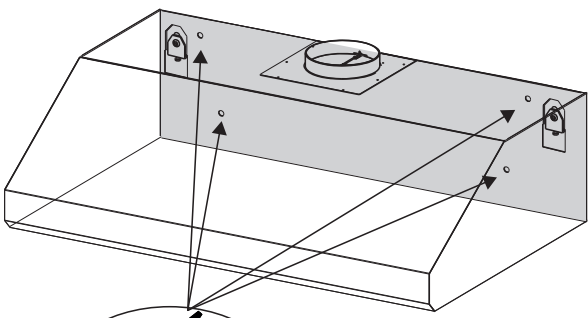


4 Use a level to insure the hood is even on the wall, use a screwdriver to adjust the brackets as shown. Fully tighten the bracket once level.

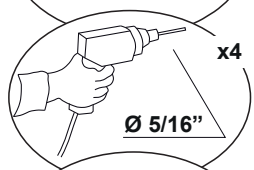


5

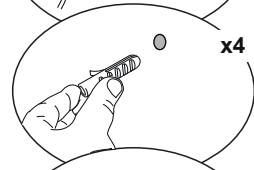
Attach 4 safety screws **L** to the back of hood into the wall. Follow the steps indicated below to finish.



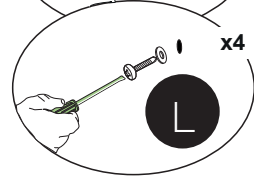
Mark the wall where indicated.



Drill directly into $\varnothing 5/16''$ holes at all the center points marked.

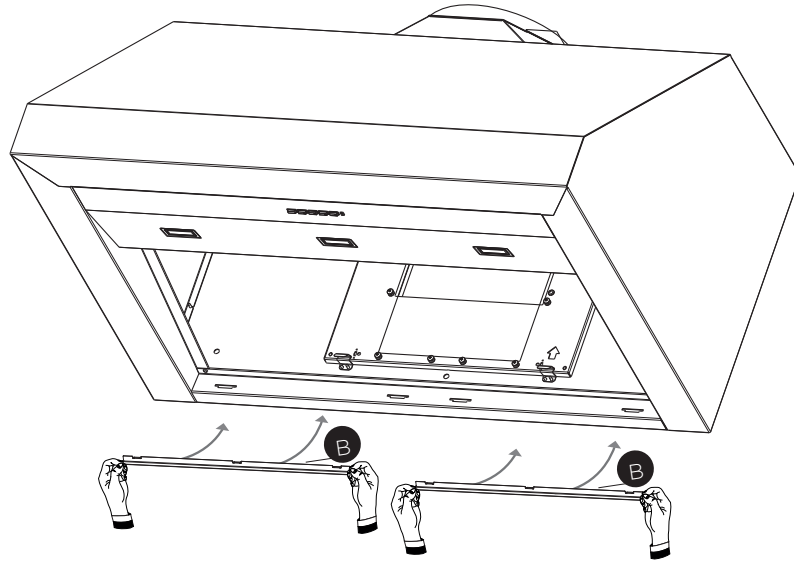


Insert the purchased Wall brackets in the holes.

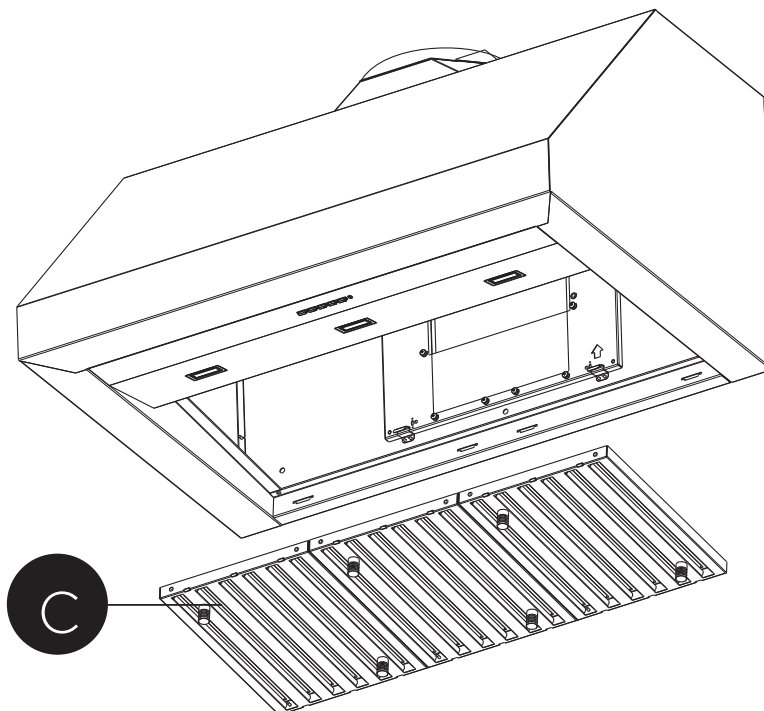


Using the remaining screws to anchor the hood in the holes.

6 Attach the two grease rails **B**.



7 Attach the grease filters **C** by inserting the front of the filter into the hood and pushing forward. Insert the back of the filter into the grease rails.



INSTALLATION FOR MOUNTING UNDER THE CABINET

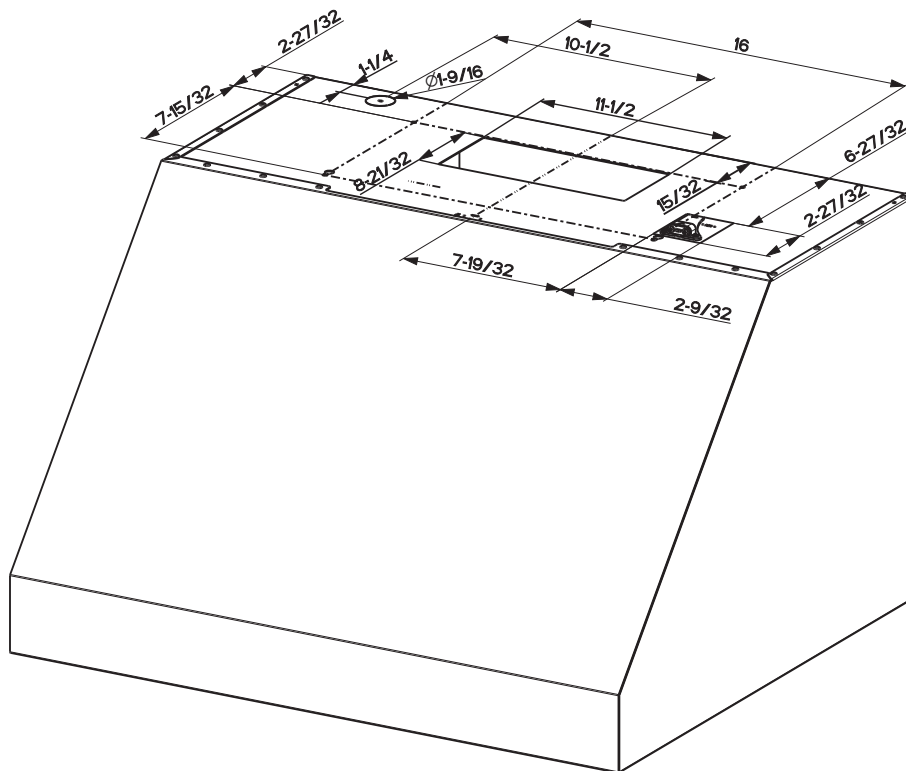
SKIP THIS STEP IF USING WALL MOUNTING METHOD

IMPORTANT: Soffit or cabinet framing must be capable of supporting 100 lbs. for 30" and 36" models and 150 lbs. for 48" models.

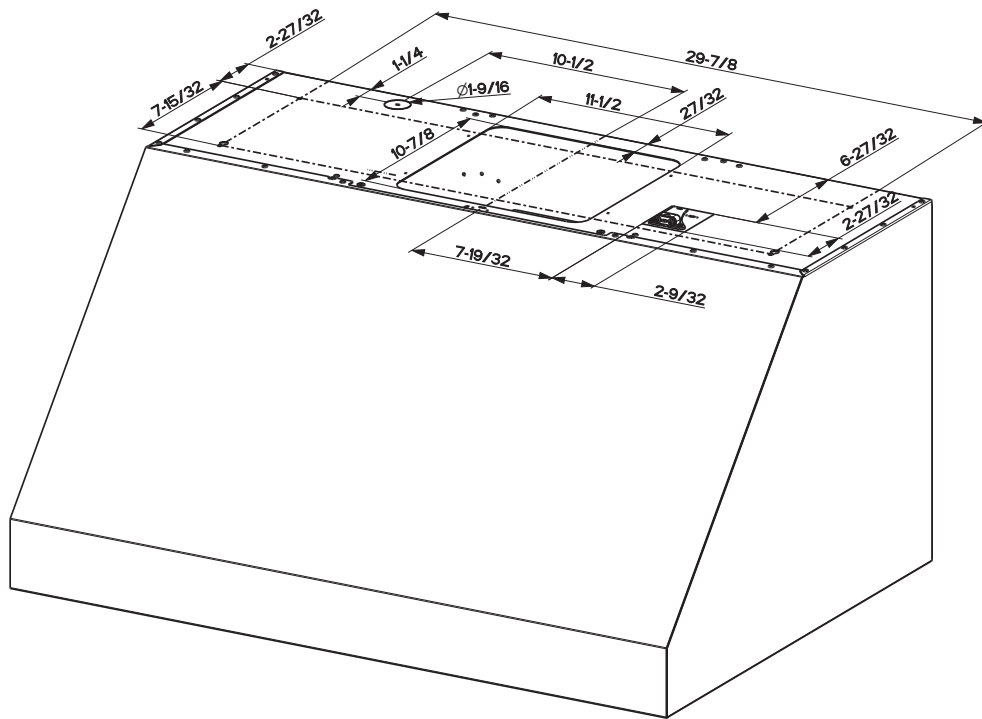
When necessary the hood may be installed so that it is supported by the soffit or cabinet.

- The soffit should be constructed with 2"x4"'s.
- Use a level to draw the cooktop or range center line.
- Continue the centerline forward on the bottom of the soffit.
- Install horizontal wood supports between the 2"x4"'.

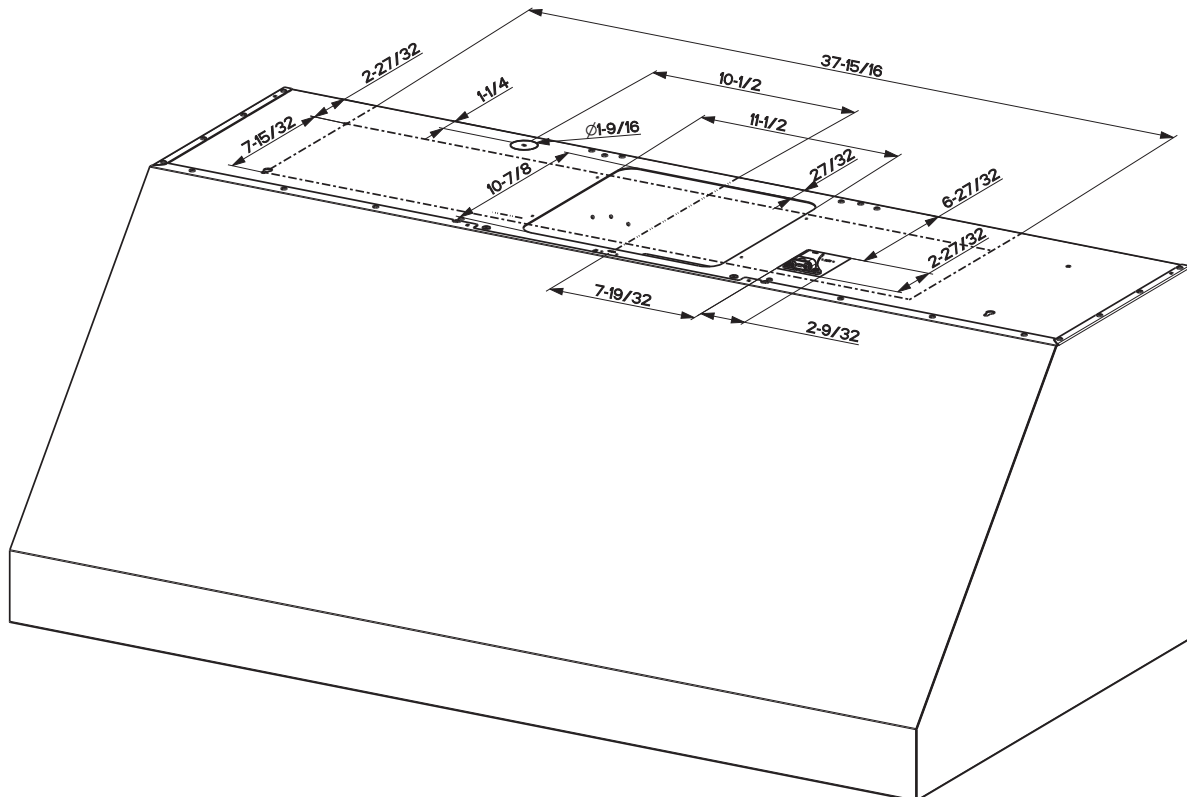
TOP DIMENSION BREVA30



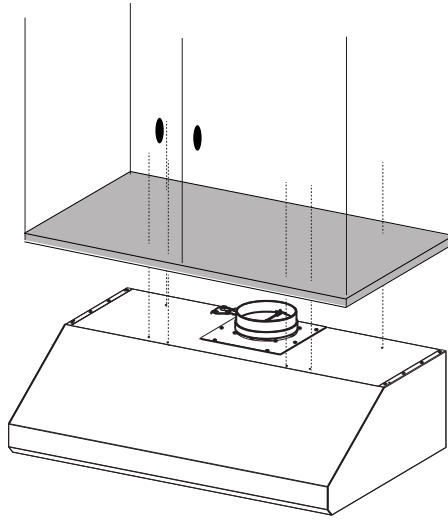
TOP DIMENSION BREVA36



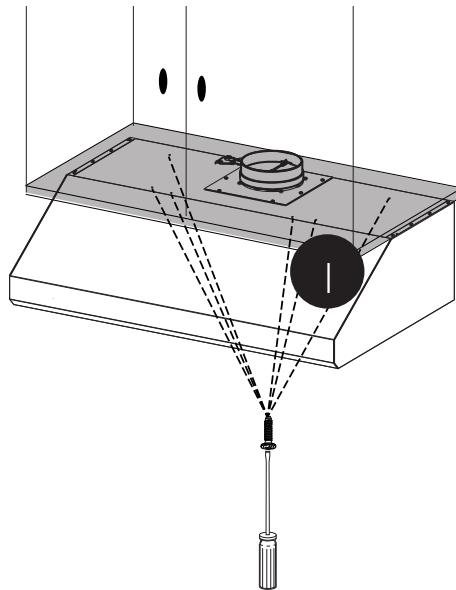
TOP DIMENSION BREVA48



1 Lift the hood to the cabinet.

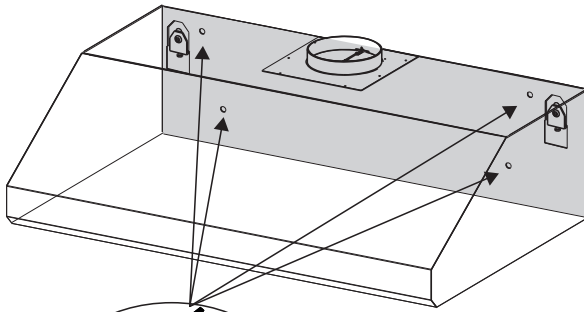


2 Attach the Hood Body with 4 screws **1** from the bottom.

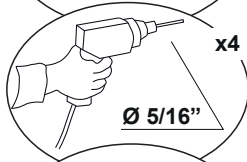


3

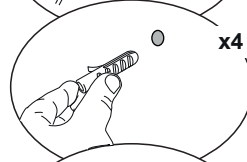
Secure the hood with 4 safety screws on the back wall.



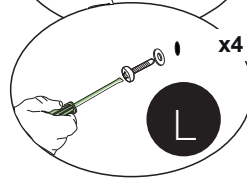
Mark the wall where indicated.



Drill directly into $\varnothing 5/16''$ holes at all the center points marked.



Insert the purchased Wall brackets in the holes.



Using the four screws to anchor the hood in the holes.

CONNECTING HOUSE POWER

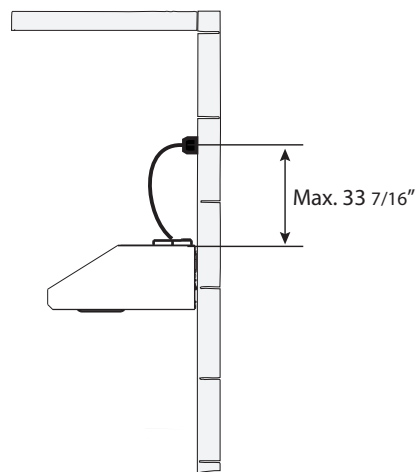
1

ELECTRICAL INSTALLATION WITH CONNECTION CABLE

GROUNDING INSTRUCTIONS This appliance must be grounded. In the event of an electrical short circuit, grounding reduces the risk of electric shock by providing an escape wire for the electric current. This appliance is equipped with a cord having a grounding wire with a grounding plug. The plug must be plugged into an outlet that is properly installed and grounded.

WARNING - Improper grounding can result in a risk of electric shock.

Consult a qualified electrician if the grounding instructions are not completely understood, or if doubt exists as to whether the appliance is properly grounded. Do not use an extension cord. If the power supply cord is too short, have a qualified electrician install an outlet near the appliance.

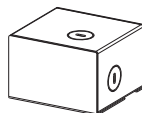


The power cord shall be accessible for inspection after installation.

ELECTRICAL INSTALLATION WITH OPTIONAL WIRING BOX

For permanent wiring, use only the Direct Connect Wiring Box accessory sku WIREBOX2, manufactured by Faber.




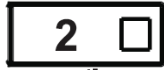

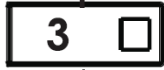

Direct Connect Wiring
Box Accessory sku #
WIREBOX2
(purchased separately)









OPERATING THE CONTROLS

FOR BEST RESULTS

Start the Range Hood several minutes before cooking to develop proper airflow. Allow the Range Hood to operate for several minutes after cooking is complete to clear all smoke and odors from the kitchen.







BUTTON	FUNCTION	INDICATOR
	A - LIGHTS - The lights have 3 levels - high, medium, low, off - press the light button to change the levels. With a 2 second press, the lights will turn off.	
	B - POWER - A quick press turns the motor on/off at speed one	
	C - SPEED 2 - A quick press turns the motor on at speed two	
	Activate / Deactivate charcoal filter alarm - A long press with the lights on and motor off will activate or deactivate the charcoal alarm.	All LED's flash twice (alarm activated). All LED's lit for 1 second (alarm deactivated)
	D - SPEED 3 - A quick press turns the motor on at speed three	
	Activate / Deactivate the Delay function: A Long press with the motor On and lights Off: (The motor and lights will shut off after 30 minutes)	The current speed LED flashes
	Reset Grease Filter and / or Charcoal Filter Alarm - A long press with the motor and lights off to reset the filter wash alarms	All LED's flash 3 times

BUTTON	FUNCTION	INDICATOR
	<p>E - INTENSIVE LEVEL 1 - A quick press will operate intensive speed level 1 for 6 minutes.</p> <p>INTENSIVE LEVEL 2 - A 2 - second press will operate intensive speed level 2 for 6 minutes.</p> <p>At the end of the 6 minutes the hood returns to the speed that was set before. If intensive is set with the motor turned off, the hood will turn off after 6 minutes.</p>	
 	<p>Grease Filter Alarm - If the speed two and intensive buttons are lit, this means the Grease Filter saturation alarm is activated and the grease filters should be washed. The alarm turns on after 100 hours of operation.</p> <p>Charcoal Filter Alarm - if the alarm is activated, the speed two and intensive lights will blink. This means the Charcoal filters should be replaced AND the grease filters should be washed. The charcoal filter alarm turns on after 200 hours of operation.</p>	 

Heat Sensor Information - The hood is equipped with a temperature sensor which, if the motor is off and the temperature below the stove is high, activates the motor at maximum speed. The condition is indicated by the blinking of Speed 1 and 2 LED's , Speed 3 LED is lit. This condition persists until the temperature returns below the threshold. It is possible to exit this mode by selecting one of the speeds.

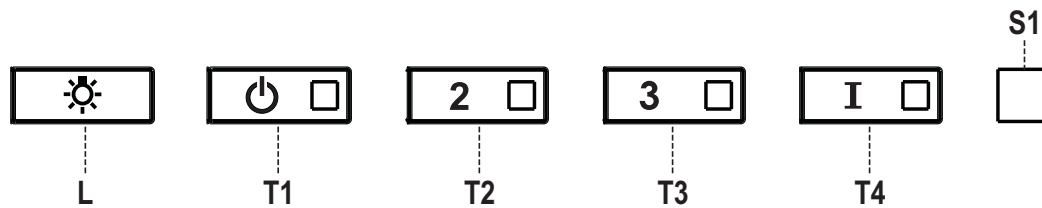
WI-FI CONNECTIONS

This device complies with part 15 of the FCC Rules. Operation is subject to the following two conditions: (1) This device may not cause harmful interference, and (2) this device must accept any interference received, including interference that may cause undesired Operation.

BUTTON	FUNCTION	INDICATOR
	<p>Activate / Deactivate the Wi-Fi Connection function. A long Press of the speed 2 button with motor and lights Off to activate / deactivate the WI-FI.</p> <p>Note: the Wi-Fi function is automatically activated when the user requests the Wi-Fi configuration procedure.</p>	<p>F - LED</p>  Connection to home wireless router in progress.  Wi-Fi connection activated.
	<p>Starting the Wi-fi setup A long press with the motor and lights Off to Enter or End the Wi-Fi set-up procedure. Before starting the procedure use the Faber Cloud App to register with the IOT Faber system. Then follow the instructions to add a new device and register your home wireless router. If the procedure is not successfully completed within a few minutes, stop the set up process by holding the intensive button for 3 seconds. Hold the button again for 3 seconds to start the process. The hood will stop the Wi-fi set up process if not successfully completed within 15 minutes.</p>	 <p>Set Up is in progress</p>  <p>When setup is finished LED's stay lit for 2 seconds.</p>

CFM ADJUSTMENT < 295CFM

To start the process make sure the hood lights are On and motor is Off.



- 1) Press and hold **T1** for 7 seconds until all LED's flash.
- 2) After flashing has stopped, press **T1**.
- 3) **T1** button will flash once, then press **T1** button again to confirm your choice (pressed within 10 seconds)
- 4) The four LED's will flash again to confirm you have finished the CFM adjustment to less than 295 CFM.
- 5) Apply the under 295 CFM label inside the hood (behind the grease filters) near the rating label for inspection and on the front of your installation/user manual.
- 6) To confirm your setting for inspection, **T1** and **T2** buttons will always operate the hood at the same speed. The highest speed(**T3**) and the intensive speed (**T4**), will also no longer operate.

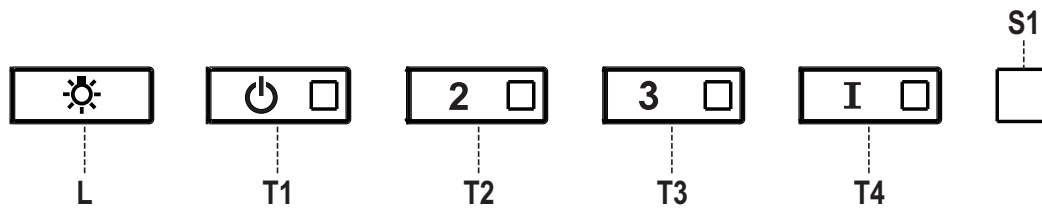
Note: **T2** and **T3** buttons will now operate at the same level and the Intensive Speed will be deactivated.

Attention: When the under 295 CFM adjustment is completed, it is no longer possible to change this setting to the original CFM level.

ATTENTION: For a correct functioning of the FABER CLOUD APP, when this procedure is completed disconnect the plug from the power supply and reconnect it again.

CFM ADJUSTMENT < 395CFM

To start the process make sure the hood lights are On and motor is Off.



- 1) Press and hold **T1** for 7 seconds until all LED's flash.
- 2) After flashing has stopped, press **T2**
- 3) **T2** button will flash once, then press **T2** button again to confirm your choice (pressed within 10 seconds)
- 4) The four LED's will flash again to confirm you have finished the CFM adjustment to less than 395 CFM.
- 5) Apply the under 395 CFM label inside the hood (behind the grease filters) near the rating label for inspection and on the front of your installation/user manual.
- 6) To confirm your setting for inspection, the intensive speed function, will no longer operate.

Note: **T3** and **T4** buttons will now operate at the same level and the Intensive Speed will be deactivated.

Attention: When the under 395 CFM adjustment is completed, it is no longer possible to change this setting to the original CFM level.

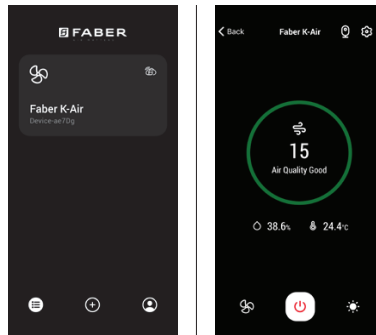
ATTENTION: For a correct functioning of the FABER CLOUD APP, when this procedure is completed disconnect the plug from the power supply and reconnect it again.

FABER CLOUD APP

Faber Cloud App

Your range hood is compatible with the Faber Cloud app. All you need is a Internet connected Wi-Fi network that is within range of the range hood. You can control all the functions of your range hood from anywhere using a mobile device or your Amazon Alexa or Google Home smart speaker. When connected to your smart speaker, you can control your hood with your voice. The Faber Cloud app is available on iOS devices using iOS 11.0 or later or Android devices using Android version 8 or later. Visit the Apple App Store or Google Play Store for more information. Your range hood will have full functionality if you are not using the Wi-fi or the Faber CLOUD App features, neither are required.

Please review the included Quick Connect Start Guide for more information.



Icon	Function
	Home page
	Add new device
	User profile management
	Connected to Faber Wi-Fi network
	Hood on/off
	Lighting system management
	Motor speed management
	Intensive Function
	Delay Function
	24H function
	App settings management

REMOTE CONTROL(Optional)

The remote control replicates the functions of the control panel the hood. # REMCTRL2



CLEANING STAINLESS STEEL

Cleaning Exterior surfaces:

Please note, abrasives and scouring agents can scratch range hood finishes and should not be used to clean finished surfaces.

Stainless Steel finish cleaning instructions:

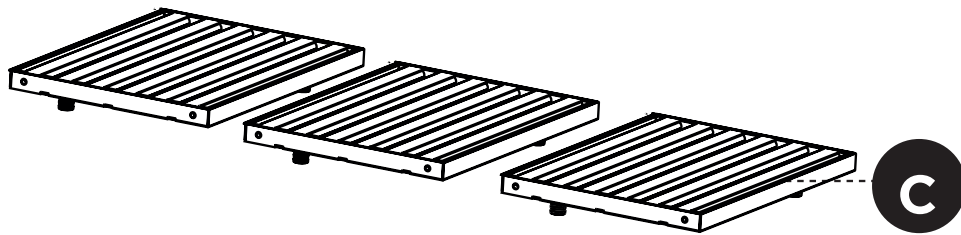
Clean exterior surfaces with a commercially available stainless steel cleaner.

CARING FOR FILTERS

CLEANING METAL GREASE FILTERS

The metal grease filters can be cleaned in hot detergent solution or washed in the dishwasher. They should be cleaned every 2 months use, or more frequently if use is particularly heavy.

1. Remove the filter by pushing towards the back of the unit and at the same time pulling downward.
2. Wash the filter without bending it, leave it to dry thoroughly before replacing (if the surface of the filter changes color over time, this will have absolutely no effect on its efficiency).
3. Replace, taking care to ensure that the handle faces forward.
4. Cleaning in dishwasher may dull the finish of the metal grease filter.
5. Completely dry the filters before installing back into the hood. No water should be trapped in the filter before reinstalling.

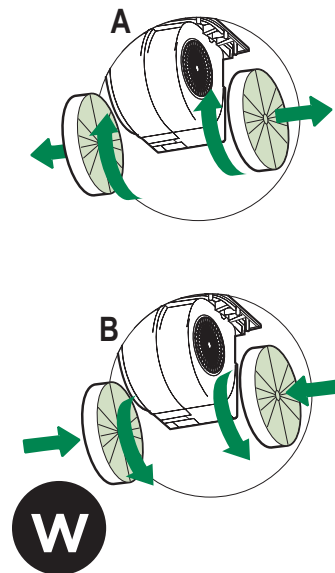


REPLACING THE ACTIVATED CHARCOAL FILTER - ONLY FOR BREVA30 AND BREVA36

The Activated Charcoal Filters (# FILTER6) are not washable and cannot be regenerated, and must be replaced approximately every 4 months of operation, or more frequently with heavy usage.

1. Remove the Filter, pushing it towards the back of the unit and at the same time pulling downward.
2. Remove the saturated Activated Charcoal Filters, as indicated (**A**).
3. Fit the new Filters, as indicated (**B**).
4. Replace, taking care to ensure that the handle faces forwards.

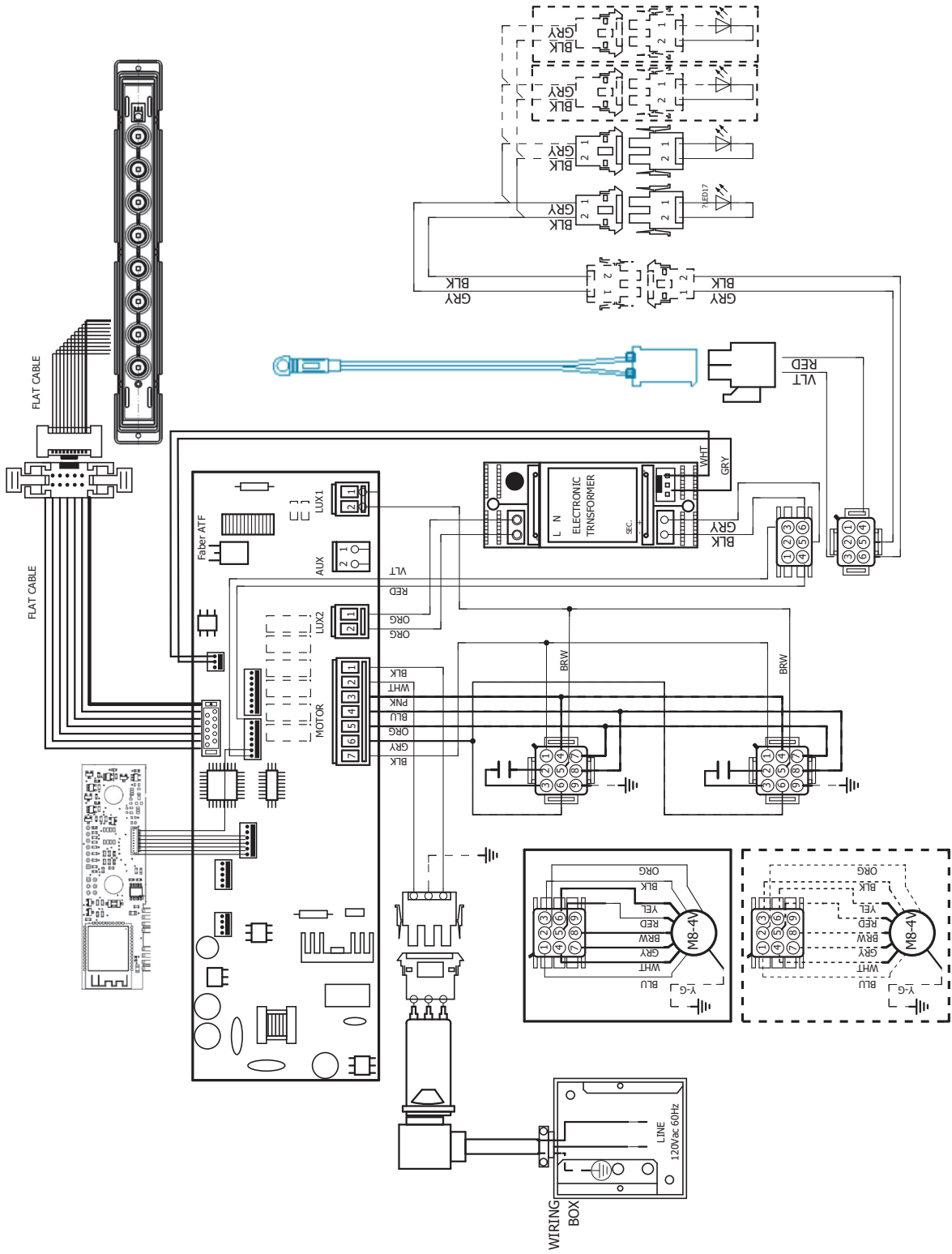
CAUTION: When used in recirculation mode, to Reduce the Risk of Fire and Shock use only conversion kit Model # FILTER6



REPLACING BULBS

LED lights must be replaced by Faber factory authorized service.

WIRING DIAGRAM



WARRANTY



Franke Home Solutions Warranty for Franke and Faber Branded Product Effective March 1, 2022

In the United States, Canada and Latin America, Franke warrants the Faber branded products from manufacturing defects in material and workmanship when purchased from a Franke or Faber Authorized Retailer pursuant to product-specific warranties detailed herein (each, a "Warranty" and collectively, the "Warranties"). The products must be properly installed, per Franke's installation instructions, in their original installation, and used in normal indoor residential kitchen applications. Any products or components which have been modified or altered from their original intended condition will void the Warranty. The Franke Warranties for Faber branded products are limited to the original purchaser and are non-transferrable. These Warranties do not include products purchased from non-Authorized Retailers, products that are obsolete or discontinued, or products that were previous display models. All issues with installed products are considered warranty claims and not subject to the Return Policy. Franke reserves the right to inspect any Franke / Faber product reported to be defective pursuant to a Warranty claim and the original installation prior to providing a replacement product and/or component. All decisions are final. In no situation shall the liability of Franke exceed the amount of the original purchase price.

The Warranties do not cover, and Franke shall not be liable for, any damage to products or components resulting from misuse or abuse, accidental damages, normal wear such as scuffs, scratches or finish reduction/fading, improper installation, abnormal usage, negligence, damage caused by improper maintenance or cleaning. Damage caused by impurities, corrosive chemicals or acts beyond Franke's control are not covered by any Warranty. Service calls to correct the installation of a range hood, instructions on how to operate a range hood, to replace or repair house fuses or to correct house wiring or plumbing are not covered by any Warranty. Service calls to repair or replace range hood light bulbs, fuses or filters and these consumable part costs are also excluded from Warranty coverage. Installation not in accordance with electrical or plumbing codes or Franke / Faber documentation are not covered by any Warranty. Replacement parts or repair labor costs for units operated outside the United States, Canada or Latin America, including any non-UL or C-UL or non-NOM approved Franke / Faber range hoods are excluded from Warranty coverage. Expenses for travel and transportation for service in remote locations and pickup and delivery charges are not covered by any Warranty. Franke / Faber range hoods should always be serviced in the home in their original installation.

Franke / Faber product replacements do not include liability for project delays. Product replacements are not guaranteed to be exact replacements. If the original product is not available at the time of the warranty claim, at Franke's option, the product replacements will be of similar size, material, and value. Any products or components which have been modified or altered, from its original intended condition will void the warranty.

The Warranties do not allow recovery of incidental or consequential damages such as loss of use, delay, property damage or other consequential damage, and Franke accepts no liability for such damages. Each Warranty is limited to the conditions set forth herein and to the applicable warranty period specified herein and is exclusive. EXCEPT FOR THE WARRANTIES SET FORTH HEREIN, FRANKE MAKES NO WARRANTY WHATSOEVER WITH RESPECT TO THE PRODUCTS, INCLUDING, BUT NOT LIMITED TO, (1) ANY WARRANTY OF MERCHANTABILITY, (2) WARRANTY OF FITNESS FOR A PARTICULAR PURPOSE, (3) WARRANTY OF TITLE, OR (4) WARRANTY AGAINST INFRINGEMENT OF INTELLECTUAL PROPERTY RIGHTS OF A THIRD PARTY, WHETHER EXPRESS OR IMPLIED BY LAW, COURSE OF DEALING, COURSE OF PERFORMANCE, USAGE OF TRADE OR OTHERWISE. LEGAL DISCLAIMER PLEASE READ CAREFULLY. Franke Kitchen Systems LLC provides the above information to you as a public service to our customers. By accessing and using this information, you agree to the following and to comply with all applicable laws. If you do not agree with these terms and conditions, do not use this information. While we try to keep the information current, changes may have occurred since its creation. Contact your Regional Manager or Customer Service to verify information regarding Franke Kitchen Systems LLC programs and their use by you.

Franke / Faber Range Hood Limited Warranty:

Franke / Faber range hoods are warranted against any defect in materials or workmanship for the original purchaser for a period of two (2) years from the date of original purchase when used in standard residential indoor applications. This warranty covers labor and replacement parts. Franke, at its option, may repair or replace the product or components necessary to restore the product to good working condition.



This warranty supersedes all other warranties, expressed or implied. No employee, field sales representatives, or distribution persons are authorized to give any warranties on behalf of Franke Kitchen Systems, LLC

To make an installed product warranty claim please contact Franke at the provided contact information below. All warranty claims must include the following for processing:

1. Proof of purchase from Franke or Faber Authorized Retailer
2. Original purchaser's name, address (included city, state, zip), email address and phone number
3. Franke / Faber model and serial number
4. Date of installation
5. Description of the defect
6. Photos of the defect

In North America and Latin America:
Franke Home Solutions
Attn: Warranty Department
800 Aviation Parkway
Smyrna, TN 37167
HS-Warranty.US@Franke.com

Legal Entity:
Franke Kitchen Systems LLC

991.0636.908_02 - 210118
D00007291_01