



VERSITILE VENTILATION

The Inca In-Light by Faber features a flush mounted stainless panel which hides the grease filters and reduces noise. With an advanced perimetric filter system, electronic controls, and an included remote control, the Inca In-Light packs a lot of features in a small body that fits into 12" deep cabinets.

AVAILABLE MODELS

Model #	FUN #	Size / Color	Motor Class (CFM)
INLT21SSV	305.0624.299	21" Stainless Steel	295/395/600 CFM
INLT28SSV	305.0553.524	28" Stainless Steel	295/395/600 CFM
INLT35SSV	305.0624.300	35" Stainless Steel	295/395/600 CFM



BUILT IN FLUSH MOUNTED RANGE HOOD NOW WITH **VAM TECHNOLOGY** AND A DEPTH OF 11 1/4" MAKING IT AN **IDEAL** CHOICE FOR SHALLOW DEPTH CABINETRY



INCA IN-LIGHT

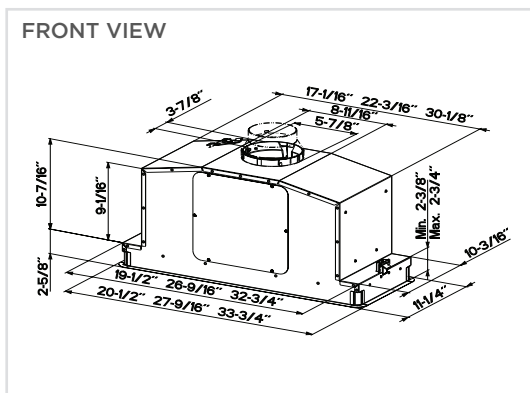
INSERT

MODEL	FUN #	SIZE/MATERIAL	MOTOR CLASS
INLT21SSV	305.0624.299	21" Stainless Steel	295/395/600 CFM
INLT28SSV	305.0553.524	28" Stainless Steel	295/395/600 CFM
INLT35SSV	305.0624.300	35" Stainless Steel	295/395/600 CFM



FEATURES		PERFORMANCE		ACCESSORIES
Dimensions		Motor		LINE30ST
Cabinet Cut Out 21"/ 28"	19 1/2" / 26 9/16" W x 10 1/4" D	No. of Fan Speeds	4	30" SS Liner (16 - 17 7/8" D) Use with INLT28
Cabinet Cut Out 35"	32 7/8" W x 10 1/4" D	Motor Class	295/395/600	LINE36ST
Height Inside Cabinet	13 1/16"	Variable Air Management	Ability to set to 295, 395, 600 CFM	36" SS Liner (16 - 17 7/8" D) Use with INLT28
Ducting		Perimeter Aspiration	Yes	LINE36PT
Type	Ducted/ Recirculating with FILTER1/FILTER1LL2	Energy-Efficient Motor	Yes	36" SS Liner (16 - 17 7/8" D) Use with INLT35
Duct Size	Top 6" Round	Display		FILTER1
Lighting		Controls	Electronic With White LED	Charcoal Filter Kit
Type	LED Bar	Intensive Speed	10 Minutes	FILTER1LL2
# of Bulbs	One - 3 Watt - 1 Level	Delay Shut-off	15 Minutes	Long Lasting Charcoal Filter
Grease Filters		Other		WIREBOX
Filter Type	Mesh	ADA Compliant	With Remote Control Included	Fixed Wiring Box
Dishwasher Safe	Yes	Remote Control	Included	MUDAMPER6
Easy Snap Clip Installation		Power Cord	Included	6" Make-up Air Kit
				MUDAMPER8
				8" Make-up Air Kit
				LINSPT301228
				30" Self Supporting Liner (17 1/2" - 20 1/2" D)
				LINSPT361228
				36" Self Supporting Liner (17 1/2" - 20 1/2" D)

DIMENSIONAL DRAWINGS



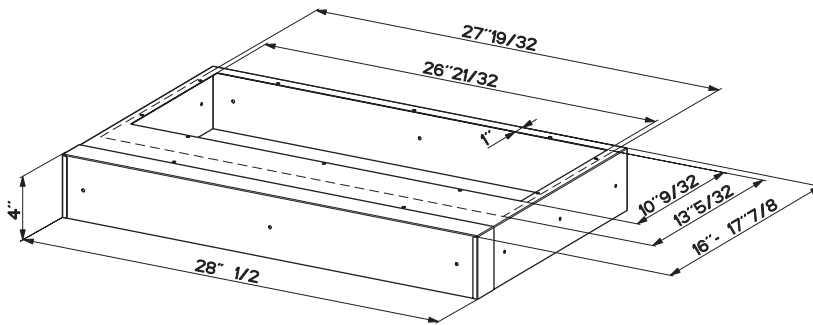
Rev5 1122

800 Aviation Parkway, Smyrna, TN 37167 (508) 358-5353 | www.faberonline.com

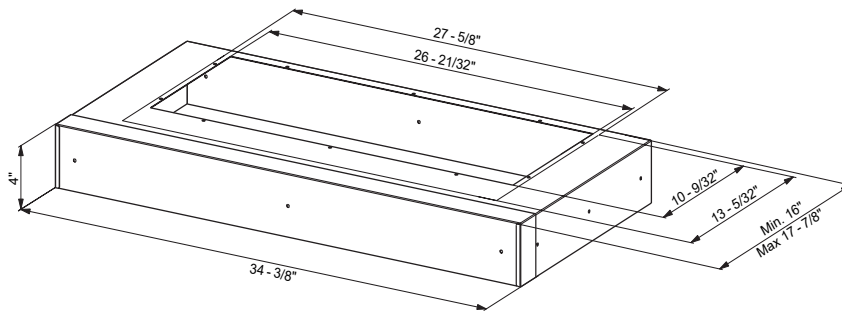
LINER SPECIFICATIONS

Liners are stainless steel kits that are optional for cabinet insert hoods. They create a metal perimeter to “line” the wood below the range hood with metal. They create a more finished look and move the range hood up creating additional capture area. In some cases, a liner may be required by local code if the cabinet starts at below 30” off the stove (check local building codes). All liners are adjustable in depth with a telescoping frame.

LINE30ST - USE WITH INLT28 ONLY FOR 30” WIDE CABINETS

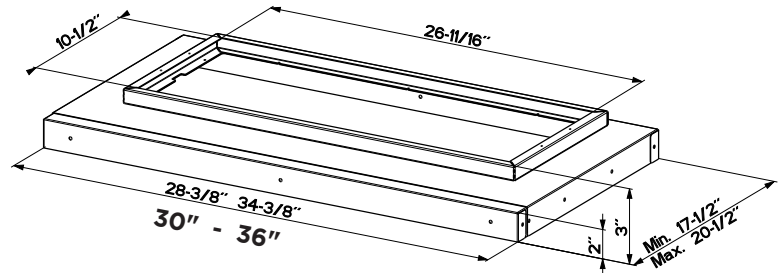


LINE36ST - USE WITH INLT28 ONLY FOR 36” WIDE CABINETS



LINSPT301228 / LINSPT361228 SELF SUPPORTING LINER USE WITH INLT28 ONLY

The liner is installed with screws against the walls of the cabinet, aligned with the cabinet bottom. The hood is installed onto the thick metal interior portion of the liner and is fully supported by the liner.



Rev5 1122