

# Café™ 1.9 Cu. Ft. Over-the-Range Microwave Oven

CVM519P2PS1

# CAFÉ



## FEATURES & BENEFITS

- 1.9 Cu. Ft. Capacity
- Sensor Cooking Controls
- Easy Clean Interior with Steam Clean
- Upfront Charcoal Filter with Indicator Light
- Four-Speed, 400-CFM Venting Fan System
- Customizable Handles
- One-Touch Reheat
- Weight and Time Defrost
- Turntable On/Off
- Melt Setting

## FEATURES

Control Type	Electronic Touch; Dial
Display On/Off	Yes
Electronic Digital Display with Clock	Yes (LED)
Cooking Modes	Microwave
Cooking Technology	Microwave
Style	Over-The-Range
Cooktop Lighting	Halogen; High/Low/Off
Exhaust Fan	4-Speed; 400-CFM; Boost/Hi/Med/Low/Off
Interior Oven Light	Incandescent
Multi-Language Capability	English/Spanish
Sound Volume Control	Yes
Power Levels	10
Turntable	Glass
Turntable On / Off	Yes
Turntable Size	14.2 in
Microwave Sensor Cooking Controls	Beverage; Defrost: Weight/Time; Melt; Popcorn; Potato; Reheat
Control Features	Add 30 Seconds; Cancel/Off; Control Lock; Cook Time; Display On/Off; Express Cook; Mute On/Off; Power; Reset-Filter; Set Clock; Settings; Start/Pause; Steam Clean; Surface Light; Timer On/Off; Turntable On/Off; Vent Fan
Microwave Oven Interior	Easy Clean Interior
Microwave Watts (IEC-705)	1000W

## CAPACITY

Total Capacity (cubic feet)	1.9 cu ft
Vent CFM	400

## ECONOMICAL/QUIET

Venting Type	Externally Vented
--------------	-------------------

## TECHNICAL DETAILS

Electrical Input - 120V Watts	1750
Input Volts/Hertz	120/60

## ACCESSORIES

Optional Side Filler Panel Kit	JX36BSS
Recirculating Charcoal Filter Kit	WB06X10807 (included)

## WEIGHTS & DIMENSIONS

Approximate Shipping Weight	63 lb
Cabinet Width	30 in
Cavity (W x H x D)	21-15/16 x 11-5/8 x 14-9/16
Net Weight	57 lb
Overall Depth	17-1/4 in
Overall Height	16-5/16 in
Overall Width	29-7/8 in

## WARRANTY

Parts warranty	Limited 1-year entire appliance
Labor warranty	Limited 1-Year Magnetron
Warranty notes	Limited 1-year entire appliance
	See written warranty for full details

# Café™ 1.9 Cu. Ft. Over-the-Range Microwave Oven

C A F É

CVM519P2PS1

## DIMENSIONS AND INSTALLATION INFORMATION (IN INCHES)

**Note:** Requires 120V grounded outlet. Electrical receptacle must be located in cabinet above microwave oven. No additional wiring, venting or cabinet rebuilding necessary in many cases. Complete detailed, easy-to-follow installation instructions and convenient full-size templates are packed with the microwave oven.

**Important Information:** When installing the microwave oven over a range, allow minimum of 2" from bottom of microwave oven to top of range backguard to allow for removal of light covers.

**Ventilation Options:** The microwave ovens are designed for adaptation to the following three types of ventilation:

- Outside exhaust (vertical – as shown)
- Outside exhaust (horizontal)
- Recirculating (non-vented ductless – see Filter Kit drawing)

**Installation Information:** This information is not intended to be used for installing unit described. Before installing, consult installation instructions packed with product/kit for current dimensional data.

**Hood Exhaust Duct:** Outside ventilation requires a HOOD EXHAUST DUCT. Read the following carefully.

**Exhaust Connection:** The hood exhaust has been designed to mate with a standard 3-1/4" x 10" rectangular duct. If a round duct is required, a rectangular-to-round transition adaptor must be used. Do not use less than a 6" diameter duct.

**Rear Exhaust:** If a rear or horizontal exhaust is to be used, care should be taken to align exhaust with space between studs, or wall should be prepared at the time it is constructed by leaving enough space between the wall studs to accommodate exhaust.

**Maximum Duct Length:** For satisfactory air movement, the total duct length of 3-1/4" x 10" rectangular or 6" diameter round duct should not exceed 140 equivalent feet.

**Elbows, Transitions, Wall and Roof Caps, etc.,** present additional resistance to airflow and are equivalent to a section of straight duct which is longer than their actual physical size. When calculating the total duct length, add the equivalent length of all transitions and adaptors plus the lengths of all straight duct sections. The chart below shows the approximate feet of equivalent length of some typical ducts.

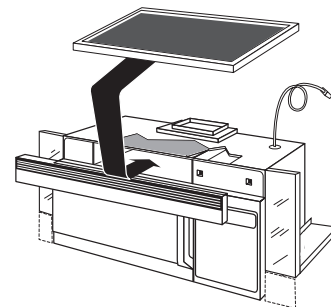


## OPTIONAL ACCESSORIES (AVAILABLE AT ADDITIONAL COST)

### Filler Panel Kits JX36BSS

When replacing a 36" range hood, this kit fills in the additional width to provide a custom built-in appearance. For installation between cabinets only; not for end-of-cabinet installation. Each kit contains two 3"-wide filler panels.

**Filter Kit WB06X10807–Recirculating Charcoal Filter Kit** To be used when the microwave oven cannot be vented to the outside.



## ADDITIONAL ACCESSORIES



CXOTRHKPMBZ  
Brushed Bronze  
1 handle

(Standard on Matte White)



CXOTRHKPMSS  
Brushed Stainless  
1 handle

(Standard on Matte Black)



CXOTRHKPMBT  
Brushed Black  
1 handle



CXOTRHKPMCU  
Brushed Copper  
1 handle



CXOTRHKPMCG  
Brushed Brass  
1 handle



CXOTRHKPMFB  
Flat Black  
1 handle