

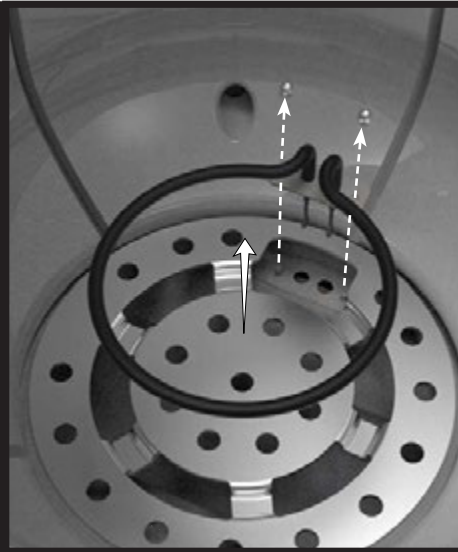
KJ15041123/KJ15041523  
**KAMADOJOE<sup>®</sup>**  
**Konnected Joe<sup>™</sup>**  
**Ceramic Base**

**CAUTION - SAFETY PRECAUTIONS - READ BEFORE USE**

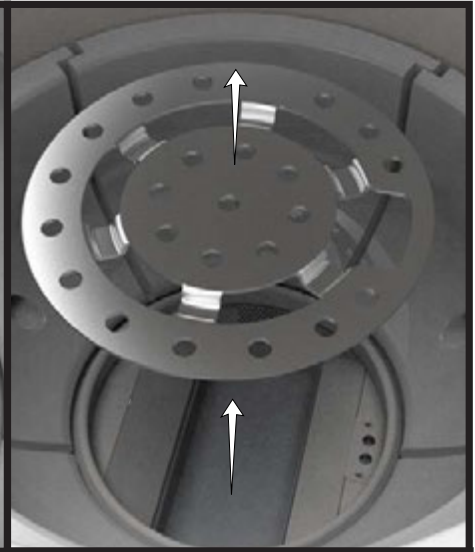
- Make sure your grill has fully cooled before handling to avoid burns.
- Some components may have sharp edges. Use caution to avoid injury.
- Disconnect the power supply from the grill before handling.



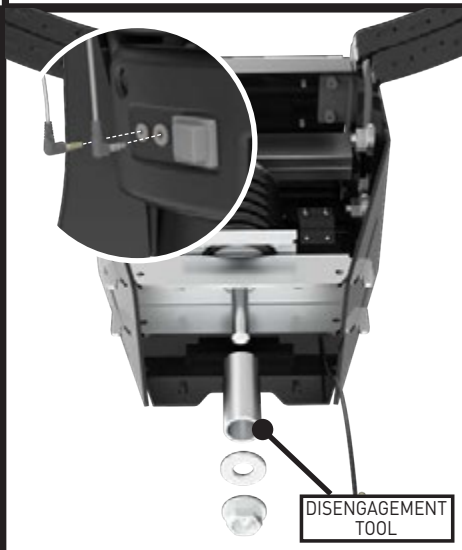
Remove all internal components of the grill. Cooking grates, x rack, heat deflectors, SS ring, ceramic firebowl panels, charcoal grate, element.



Remove the 2 acorn nuts from the element mounting plate. Then, with extreme caution, lift the element straight up and out of the grill. (NOTE - you may need to lightly hold down the element bracket to remove the element from the bracket).



Remove the charcoal grate from the grill



Install the disengagement tool on the hinge. Unplug pit probe, lid switch, and power supply from rear of grill.



Remove 12 hinge acorn nuts.  
 Remove the hinge.  
 Remove the lid and set aside.



Remove the set screw from the inside of the grill (front).  
 Remove the set screw from the outside of the grill (rear).



**Install the bands and attachments on your new ceramic base.  
Repeat the steps in reverse order to install the new ceramic base kit.**