

Installation Instructions

Range

Questions? Visit cafeappliances.com. In Canada, visit cafeappliances.ca.

IN THE COMMONWEALTH OF MASSACHUSETTS

- This product must be installed by a licensed plumber or gas fitter.

- When using ball type gas shut-off valves, they shall be the T-handle type.
- A flexible gas connector, when used, must not exceed 5 feet.

⚠ WARNING

FIRE OR EXPLOSION HAZARD

If the information in this manual is not followed exactly, a fire or explosion may result causing property damage, personal injury or death.

Installation must be performed by a qualified installer.

Read these instructions completely and carefully.

Installation of this range must conform with local codes, or in the absence of local codes, with the National Fuel Gas Code, ANSI Z223.1/NFPA.54, latest edition. In Canada, installation must conform with the current Natural Gas Installation Code, CAN/CGA-B149.1 or the current Propane Installation Code, CAN/CGA-B149.2, and with local codes where applicable. This range has been design-certified by CSA International according to ANSI Z21.1,

latest edition and Canadian Gas Association according to CAN/CGA-1.1 latest edition.

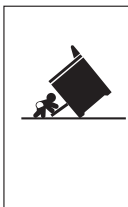
When installing a gas appliance the use of old flexible connectors can cause gas leaks and personal injury. Always use a **NEW** flexible connector.

Leak testing of the appliance shall be conducted according to the manufacturer instructions.

The range must be electrically grounded in accordance with local codes or, in the absence of local codes, in accordance with the National Electrical Code (ANSI/NFPA 70, latest edition). In Canada, electrical grounding must be in accordance with the current CSA C22.1 Canadian Electrical Code Part 1 and/or local codes. See Electrical Connections in this section.

Do not install this product with an air curtain hood or other range hood that operates by blowing air down on the cooktop. This airflow may interfere with operation of the gas burners resulting in fire or explosion hazard.

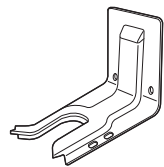
FOR YOUR SAFETY:



⚠ WARNING

Tip-Over Hazard

- A child or adult can tip the range and be killed.
- Install the anti-tip bracket to the wall or floor.
- Engage the range to the anti-tip bracket by sliding the range back such that the foot is engaged.
- Re-engage the anti-tip bracket if the range is moved.
- Failure to do so can result in death or serious burns to children or adults.



Anti-Tip Bracket Kit Included

⚠ WARNING

Before beginning the installation, switch power off at service panel and lock the service disconnecting means to prevent power from being switched on accidentally. When the service disconnecting means cannot be locked, securely fasten a prominent warning device, such as a tag, to the service panel.

If you did not receive an anti-tip bracket with your purchase, visit cafeappliances.com (In Canada, cafeappliances.ca).

TOOLS YOU WILL NEED



Phillips screwdriver



Open-end or adjustable wrench



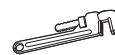
Flat-blade screwdriver



Pencil and ruler



Level



Pipe wrenches (2) (one for backup)



Drill, awl or nail

MATERIALS YOU MAY NEED

- Gas line shut-off valve
- Pipe joint sealant or UL-approved pipe thread tape with Teflon* that resists action of natural and propane gases
- Flexible metal appliance connector (1/2" I.D.). A 5-foot length is recommended for ease of installation but other lengths are acceptable. Never use an old connector when installing a new range.
- Flare union adapter for connection to gas supply line (3/4" or 1/2" NPT x 1/2" I.D.)
- Flare union adapter for connection to pressure regulator on range (1/2" NPT x 1/2" I.D.)
- Liquid leak detector or soapy water.

*Teflon: Registered trademark of DuPont

BEFORE YOU BEGIN

IMPORTANT — Save these instructions for local inspector's use.

IMPORTANT — Observe all governing codes and ordinances.

IMPORTANT — Remove all packing material and literature from oven before connecting gas and electrical supply to range.

IMPORTANT — To avoid damage to your cabinets, check with your builder or cabinet supplier to make sure that the materials used will not discolor, delaminate or sustain other damage. This oven has been designed in accordance with the requirements of UL and CSA International and complies with the maximum allowable wood cabinet temperatures of 194°F (90°C).

Note to Installer – Be sure to leave these instructions with consumer.

Note to consumer – Keep these instructions for future reference.

Service – The electrical diagram is in an envelope attached to the back of the range. Proper installation is the responsibility of the installer.

Product failure due to improper installation is not covered under warranty.

Before installing your range on linoleum or any other synthetic floor covering, make sure the floor covering can withstand 180°F without shrinking, warping or discoloring. Do not install the range over carpeting unless a sheet of 1/4" thick plywood or similar insulator is placed between the range and carpeting.

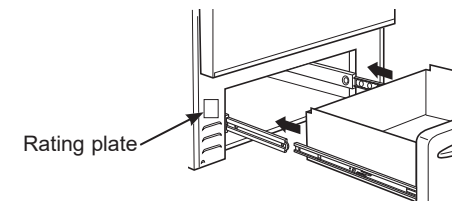
Mobile Home - Additional Installation Requirements

The installation of this range must conform to the Manufactured Home Construction and Safety Standard, Title 24 CFR, Part 3280 (formerly the Federal Standard for Mobile Home Construction and Safety, Title 24, HUD Part 280). When such standard is not applicable, use the Standard for Manufactured Home Installations, ANSI A225.1/NFPA 501A or with local codes.

In Canada, the installation of this range must conform with the current standards CAN/CSA-A240-latest edition, or with local codes.

When this range is installed in a mobile home, it must be secured to the floor during transit. Any method of securing the range is adequate as long as it conforms to the standards listed above.

SINGLE OVEN



Rating plate

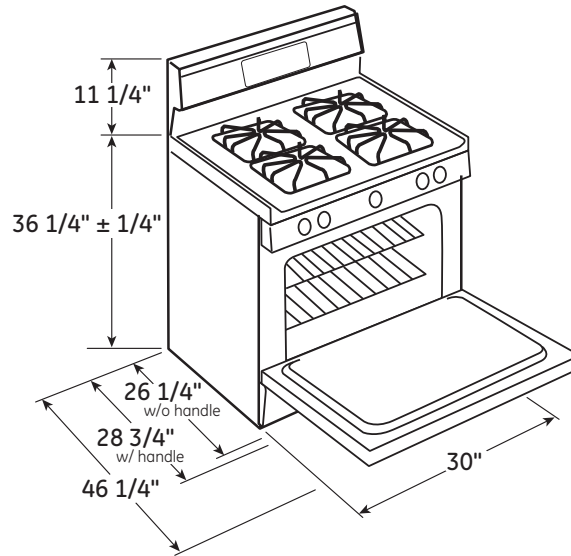
DIMENSIONS AND CLEARANCES

Provide adequate clearances between the range and adjacent combustible surfaces. These dimensions must be met for safe use of your range.

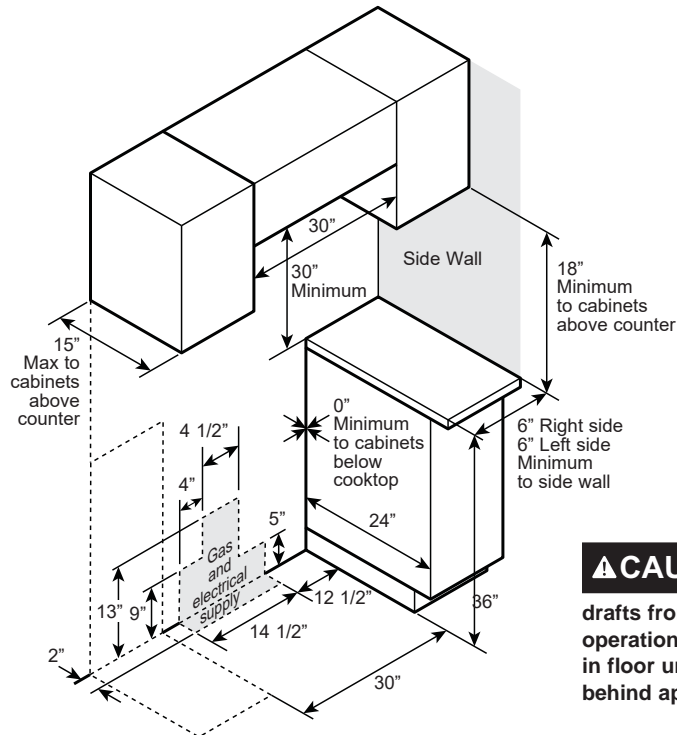
Allow 30" (76.2 cm) minimum clearance between burners and bottom of unprotected wood or metal cabinet, or allow a 24" (61 cm) minimum when bottom of wood or metal cabinet is protected by no less than 1/4" (6.4 mm) thick flame-retardant millboard covered with no less than No. 28 MSG sheet metal (.015" [.38 mm] thick), .015" (.38 mm) thick stainless steel, .025" (0.64 mm) aluminum or .020" (0.5 mm) copper.

Installation of a listed microwave oven or cooking appliance over the cooktop shall conform to the installation instructions packed with that appliance.

For island installation, maintain 2-1/2" minimum from cutout to back edge of countertop and 3" minimum from cutout to side edges of countertop.



GAS PIPE AND ELECTRICAL OUTLET LOCATIONS



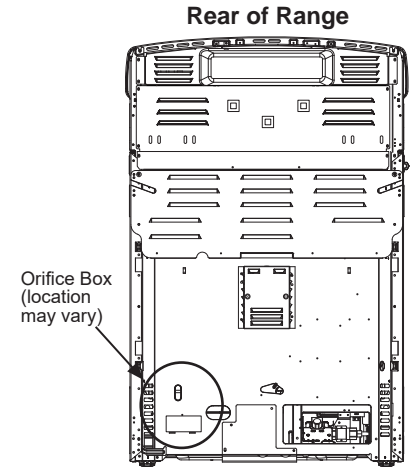
CAUTION To prevent drafts from affecting burner operation, seal all openings in floor under appliance and behind appliance wall.

CONVERTING TO PROPANE GAS (OR CONVERTING BACK TO NATURAL GAS FROM PROPANE)

This range leaves the factory set for use with natural gas. If you want to convert to propane gas, the conversion must be performed by a qualified propane gas installer.

The conversion orifices and instructions can be found on back of the range.

Keep these instructions and all orifices in case you want to convert back to natural gas.



INSTALLATION AT HIGH ALTITUDE

Over 6000ft, product configured for natural gas or propane requires installation of kit (WB28X29254 for natural gas and WB28X29255 for propane gas). Follow the instructions included with the kit.

1 GAS SUPPLY

▲WARNING Fire Hazard: Do not use a flame to check for gas leaks.

▲WARNING Explosion Hazard: Do not exceed 25 ft-lbs of torque when making gas line connections. Overtightening may crack the pressure regulator resulting in fire or explosion hazard.

Gas Pressure Regulator

You must use the gas pressure regulator supplied with this range. For proper operations the inlet pressure to the regulator should be as follows:

Natural Gas:

Minimum pressure: 6" of Water Column

Maximum pressure: 13" of Water Column

Propane Gas:

Minimum pressure: 11" of Water Column

Maximum pressure: 13" of Water Column

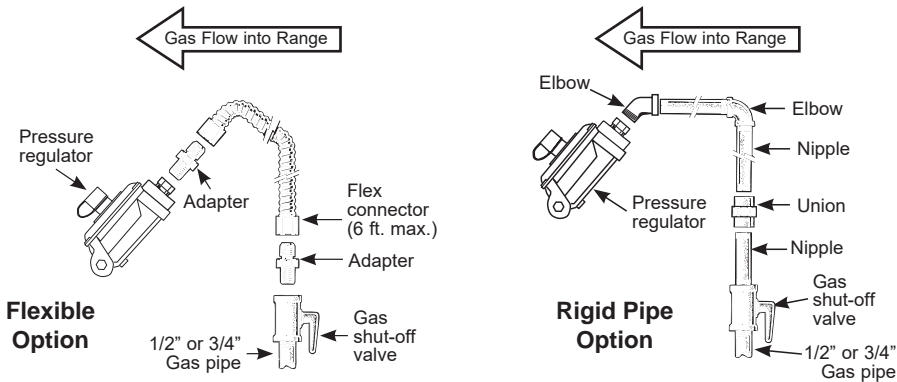
If you are not sure about the inlet pressure contact local gas supplier.

Shut off the main gas supply valve before disconnecting the old range and leave it off until the new hook-up has been completed. Don't forget to relight the pilot on other gas appliances when you turn the gas back on.

Because hard piping restricts movement of the range, the use of a CSA International-certified flexible metal appliance connector is recommended unless local codes require a hard-piped connection.

If the hard piping method is used, you must carefully align the pipe; the range cannot be moved after the connection is made.

CONNECTOR HOOKUP



Installer: Inform the consumer of the location of the gas shut-off valve.

To prevent gas leaks, put pipe joint compound on, or wrap pipe thread tape with Teflon* around, all male (external) pipe threads.

- Install a manual shut-off valve in the gas line in an easily accessed location outside of the range. Make sure everyone operating the range knows where and how to shut off the gas supply to the range.
- Install male 1/2" flare union adapter to the 1/2" NPT internal thread at inlet of regulator. Use a backup wrench on the regulator fitting to avoid damage.
- Install male 1/2" or 3/4" flare union adapter to the NPT internal thread of the manual shut-off valve, taking care to back-up the shut-off valve to keep it from turning.
- Connect flexible metal appliance connector to the adapter on the range. Position range to permit connection at the shut-off valve.
- When all connections have been made, make sure all range controls are in the off position and turn on the main gas supply valve. Use a liquid leak detector at all joints and connections to check for leaks in the system.

When using pressures greater than 1/2 psig to pressure test the gas supply system of the residence, disconnect the range and individual shut-off valve from the gas supply piping. When using pressures of 1/2 psig or less to pressure test the gas supply system, simply isolate the range from the gas supply system by closing the individual shut-off valve.

When checking for proper operation of the regulator, the inlet pressure must be at least 1" greater than the operating (manifold) pressure as given on rating label of product.

*Teflon: Registered trademark of DuPont

2 ELECTRICAL CONNECTIONS

▲WARNING Shock Hazard: This appliance must be properly grounded. Failure to do so can result in electric shock.

Electrical Requirements - 120-volt, 60 Hertz, properly grounded dedicated circuit protected by a 15-amp or 20-amp circuit breaker or time delay fuse.

Note: Use of automatic, wireless, or wired external switches that shut off power to the appliance are not recommended for this product.

Grounding

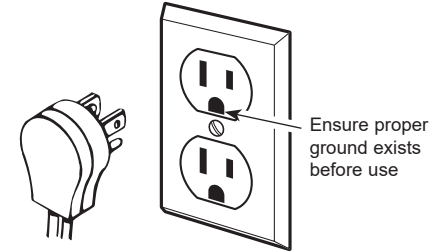
The power cord of this appliance is equipped with a three-prong (grounding) plug which plugs into a standard three-prong grounding wall receptacle to minimize the possibility of electric shock hazard from this appliance.

The customer should have the wall receptacle and circuit checked by a qualified electrician to make sure the receptacle is properly grounded.

Where a standard two-prong wall receptacle is encountered, it is the personal responsibility and obligation of the customer to have it replaced with a properly grounded three-prong wall receptacle.

DO NOT, UNDER ANY CIRCUMSTANCES, CUT OR REMOVE THE THIRD (GROUND) PRONG FROM THE POWER CORD. DO NOT USE AN ADAPTER. DO NOT USE AN EXTENSION CORD.

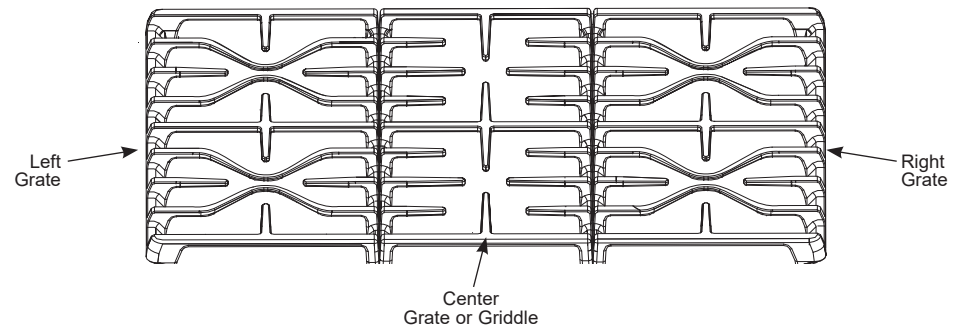
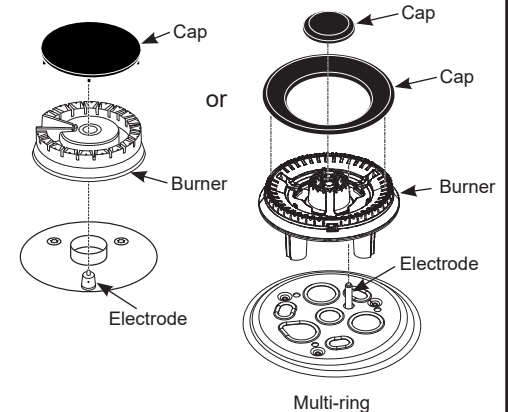
Ground Fault Circuit Interrupters (GFCI's) are not required or recommended for gas range receptacles. Performance of the range will not be affected if operated on a GFCI-protected circuit but occasional nuisance tripping of the GFCI breaker is possible.



3 SURFACE BURNERS

▲WARNING Fire or Explosion Hazard: Do not operate the burner without all burner parts in place.

- Burners** - Place surface burners into corresponding positions on cooktop.
- Caps** - Place caps on proper size burner.
- Grates** - The left and right grates are interchangeable. Place the grates on the cooktop.



4 CHECK SURFACE BURNERS

Push and turn a knob to the LITE position. A clicking sound indicates proper operation of the ignition system. When lighting any burner, sparks will appear at all burners but gas flows from only the one selected. Once air is purged from the supply line, burner should light within 4 seconds. After burner lights, rotate the knob out of the LITE position. Try each burner in succession until all burners have been checked.

Quality of Flames

Determine the quality of flames visually. Normal burner flames should look like (A) or (B).



(A) Soft blue flames—
Normal for natural gas



(B) Yellow tips on
outer cones—
Normal for propane gas

Long, bright yellow flames are not normal. Normal flames may show signs of an orange tint when well heated or signs of flickering orange due to particles in the gas or air.

5 CHECK BAKE AND BROIL BURNERS

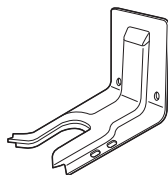
■ Set Bake function to 350°F. Burner should light in 30 to 60 seconds.

■ Set broil to Broil Hi. Burner should light in 30 to 60 seconds.

6 INSTALL AND CHECK ANTI-TIP DEVICE

WARNING Never completely remove the leveling leg as the range will not be secured to the anti-tip device properly.

Follow instructions supplied with ANTI-TIP bracket.

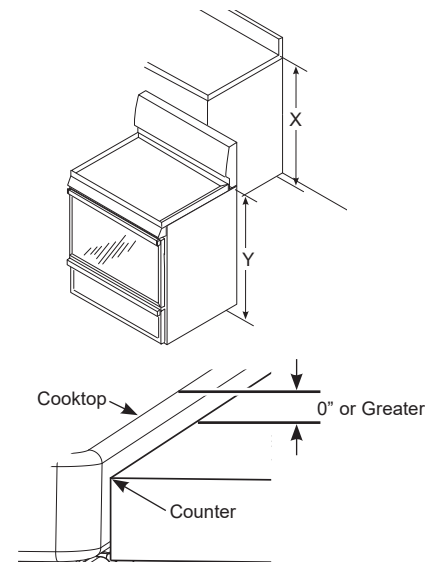


Anti-Tip Bracket
Kit Included

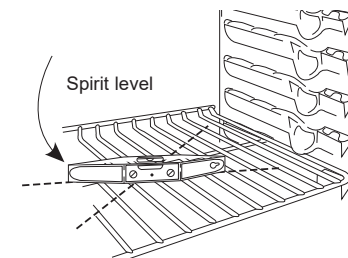
7 LEVEL THE RANGE

WARNING Never completely remove the leveling leg as the range will not be secured to the anti-tip device properly.

- Plug in the unit.
- Measure the height of your countertop at the rear of the opening (X).
- Adjust two rear leveling legs so that the rear of cooktop is at the same height or higher than the counter (Y).
- Slide unit into place.
- Install oven shelves in the oven and position the range where it will be installed.
- Check for levelness by placing a spirit level on one of the oven shelves. Take two readings—with the level placed diagonally first in one direction and then the other.
- Adjust front leveling legs until the range is level.
- Look under the unit and verify that the rear leg is fully engaged with the anti-tip device. If not, remove the unit and adjust the height of the rear leg so that it is properly engaged.



NOTE: Cooktop must be at or above counter.



WHEN ALL HOOKUPS ARE COMPLETED

Make sure all controls are left in the off position. Make sure the flow of combustion and ventilation air to the range is unobstructed.

Check that all packing materials and tape have been removed. This will include tape on metal panel under control knobs (if applicable), adhesive tape, wire ties, cardboard and protective plastic. Failure to remove these materials could result in damage to the appliance once the appliance has been turned on and surfaces have heated.

Instrucciones de instalación

Cocina

¿Preguntas? Visita cafeappliances.com. En Canadá, visita cafeappliances.ca.

EN EL COMMONWEALTH DE MASSACHUSETTS

- Este producto debe ser instalado por un plomero licenciado o un mecánico gasista.

- Al usar válvulas de cierre de gas tipo balón, deberán ser del tipo de manija T.
- Al usar un conector de gas flexible no deberá exceder los 5 pies.

⚠ ADVERTENCIA

RIESGO DE INCENDIO O EXPLOSIÓN

Si la información de este manual no se sigue exactamente, se podrá producir un incendio o explosión, ocasionando daños sobre la propiedad, lesiones o la muerte.

La instalación deberán ser realizadas por un instalador calificado.

Lea estas instrucciones en su totalidad y atentamente.

Esta cocina se deberá instalar de acuerdo con los códigos locales, o en la ausencia de códigos locales, con el Código de Gas Combustible Nacional, ANSI Z223.1/NFPA.54, última edición. En Canadá, la instalación deberá ser conforme con el Código de Instalación de Gas Natural actual, CAN/CGA-B149.1 o el Código de Instalación de Propano actual, CAN/CGA-B149.2, y con los códigos locales cuando corresponda. Esta cocina fue diseñada y certificada por CSA International, de acuerdo con ANSI Z21.1, última

edición y con la Canadian Gas Association (Asociación de Gas de Canadá) CAN/CGA-1.1 última edición.

Al instalar un electrodoméstico a gas, el uso de conectores flexibles viejos puede ocasionar pérdidas y lesiones personales. Siempre use un conector flexible NUEVO.

La prueba de goteras del electrodoméstico se deberá realizar de acuerdo con las instrucciones del fabricante.

La cocina deberá estar correctamente conectada a tierra de acuerdo con los códigos y ordenanzas locales o, en ausencia de códigos locales, de acuerdo con el Código Nacional de Electricidad (National Electric Code), (ANSI/NFPA NO. 70., última edición). En Canadá, la conexión a tierra se deberá realizar de acuerdo con la Parte 1 del Código de Electricidad de Canadá CSA C22.1 y/o los códigos locales. En esta sección, consulte las Conexiones Eléctricas

No instale este producto con una campana con cortina de aire u otra campana de cocina que funcione llevando aire a la placa de cocción. El flujo de aire podrá interferir en el funcionamiento de los quemadores de gas, produciendo riesgos de incendio o explosión.

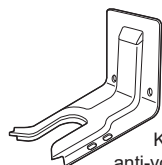
PARA SU SEGURIDAD



⚠ ADVERTENCIA

Riesgo de Caída

- Un niño o adulto pueden volcar la cocina y morir.
- Instale el soporte anti-volcaduras sobre la pared o el piso.
- Asegúrese la estufa al soporte anti-volcaduras deslizando la unidad hacia atrás de tal manera que la pata niveladora sea enganchada.
- Vuelva a adherir el soporte anti-volcaduras si la estufa se mueve de lugar.
- Si esto no se hace, se podrá producir la muerte o quemaduras graves en niños o adultos.



Kit de soporte anti-volcaduras incluido

⚠ ADVERTENCIA

Antes de comenzar la instalación, apague el encendido en el panel de servicio y bloquee el medio de desconexión del servicio a fin de evitar que el encendido se active de forma accidental. Cuando el medio de desconexión del servicio no se pueda bloquear, ajuste de manera segura un ítem de advertencia que esté bien visible, tal como una etiqueta, sobre el panel de servicio.

Si no recibió un soporte anti volcaduras con su compra, visite: cafeappliances.com (En Canadá, cafeappliances.ca).

HERRAMIENTAS NECESARIAS



MATERIALES NECESARIOS

- Válvula de cierre para tubería de gas
- Sellador para junta de tubería o UL – cinta para tubería aprobada con Teflón*, resistente a la acción de gases naturales o propano
- Conector para artefacto metálico flexible (1/2" I.D.) Se recomienda una longitud de 5 pies para una fácil instalación, pero otras longitudes son aceptables. Nunca use un conector viejo al instalar una cocina nueva.
- Adaptador para unión cónica para la conexión al suministro de gas (3/4" o 1/2" NPT x 1/2" I.D.)
- Adaptador para unión cónica para la conexión al regulador de presión en la cocina (1/2" o 1/2" NPT x 1/2" I.D.)
- Detector de pérdida de líquido o agua con jabón.

*Teflón: Marca registrada por DuPont

ANTES DE COMENZAR

IMPORTANTE — Conserve estas instrucciones para uso del inspector de electricidad local.

IMPORTANTE — Cumpla con todos los códigos y ordenanzas gubernamentales.

IMPORTANTE — Retire todo el material de embalaje y material escrito del horno antes de conectar el gas y el suministro de corriente a la cocina.

IMPORTANTE — A fin de evitar daños en los gabinetes, controle con su constructor o proveedor de gabinetes que los materiales usados no descolorarán, deslaminarán ni sostendrán otro daño. Este horno fue diseñado de acuerdo con los requisitos de UL y CSA International y cumple con las temperaturas máximas permitidas para gabinetes de madera de 194° F (90° C).

Nota para el Instalador – Asegúrese de que estas instrucciones queden en manos del comprador.

Nota para el Consumidor – Guarde estas instrucciones para referencia futura.

Servicio Técnico – El diagrama eléctrico se encuentra en un sobre adjunto al reverso de la cocina.

La correcta instalación del producto es responsabilidad del instalador.

Si se producen fallas en el producto debido a una instalación inadecuada, la Garantía no cubrirá las mismas.

Antes de instalar su cocina sobre linóleo y cualquier otro revestimiento de piso sintético, asegúrese de que el revestimiento del piso resista los 180° F sin contraerse, combarse o descolorarse. No instale la cocina sobre alfombras, a menos que haya una hoja de contrachapado de un grosor de 1/4" o un aislante similar entre la cocina y la alfombra.

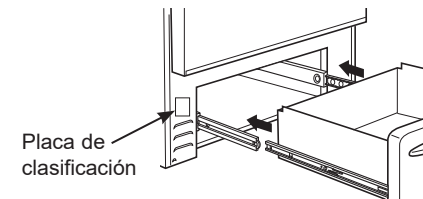
Casa Rodante – Requisitos de Información Adicional

Esta cocina se deberá instalar conforme con el Estándar de Construcción y Seguridad para Hogar, Título 24 CFR, Pieza 3280 (anteriormente el Estándar Federal para la Construcción y Seguridad de Casas Rodantes (Federal Standard for Mobile Home Construction and Safety), Título 24, HUD Parte 280). Cuando dicho estándar no sea aplicable, use el estándar para las Instalaciones de Casas Fabricadas, ANSI A225, 1/NFPA 501A o con códigos locales.

En Canadá, la instalación de esta cocina deberá ser realizada de acuerdo con los estándares actuales CAN/CSAA240 – última edición, o con los códigos locales.

Cuando la cocina es instalada en una casa móvil, se deberá asegurar al piso durante el tránsito. Cualquier método para asegurar la cocina es adecuado, siempre y cuando se realice conforme con los estándares que figuran a continuación.

HORNO SIMPLE



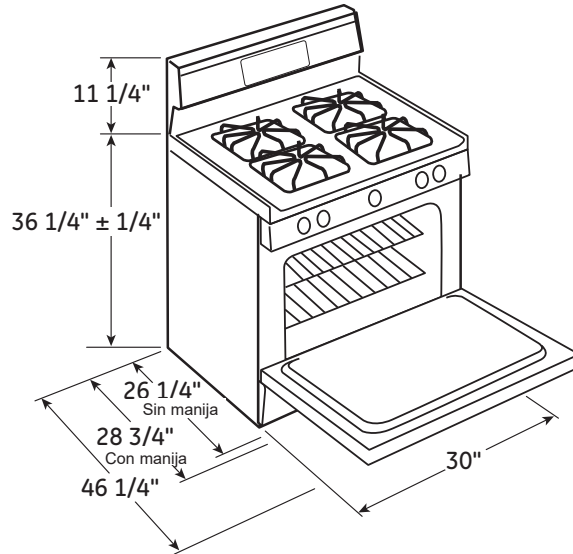
DIMENSIONES Y ESPACIOS

Deje el espacio adecuado entre la cocina y las superficies combustibles adyacentes. Estas dimensiones se deberán cumplir para un uso seguro de su cocina.

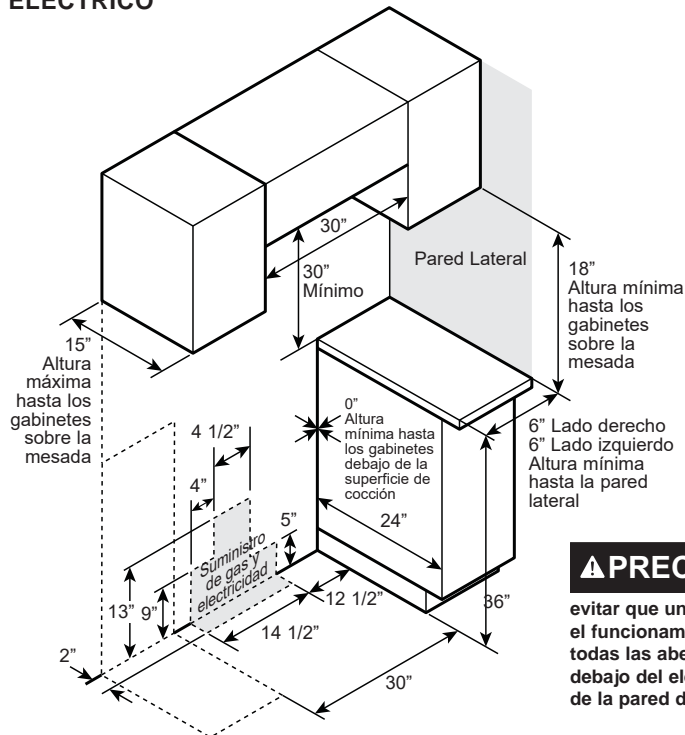
Deje un espacio mínimo de 30" (76.2 cm) entre los quemadores y la parte inferior del gabinete de madera o metal sin protección, o deje un espacio mínimo de 24" (61 cm) cuando la parte inferior del gabinete de madera o metal esté protegido por no menos de 1/4" (6.4 mm) de cartón de retardo de incendios cubierta por no menos que una lámina metálica de 28 MSG (.015" (.38 mm) de grosor), .015" (.38 mm) de grosor de acero inoxidable, .025" (0.64 mm) de aluminio o .020" (0.5 mm) de cobre.

La instalación de un horno microondas o de un electrodoméstico de cocción que figuren en la lista sobre la parte superior de la cocina deberá cumplir con las instrucciones de instalación provistas con el electrodoméstico.

Para la instalación de la isla, deje un espacio mínimo de 2-1/2" desde la abertura hasta el extremo trasero de la mesada y un mínimo de 3" desde la abertura hasta los extremos laterales de la mesada.



UBICACIONES DE LA TUBERÍA DE GAS Y DEL TOMACORRIENTE ELÉCTRICO



⚠ PRECAUCIÓN

Para evitar que una corriente de aire afecte el funcionamiento del quemador, selle todas las aberturas sobre el piso debajo del electrodoméstico y detrás de la pared del mismo.

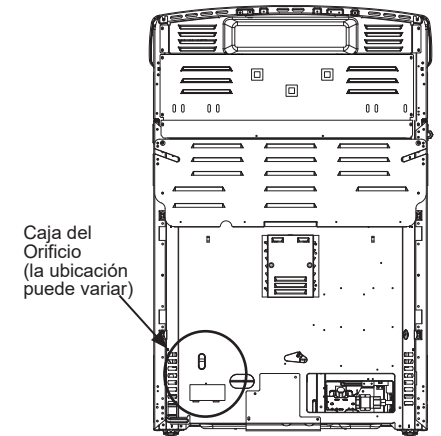
CONVERTIR A GAS PROPANO (O VOLVER A CONVERTIR DE PROPANO A GAS NATURAL)

Esta cocina deja la configuración de fábrica para uso con gas natural. Si desea convertir a gas propano, la conversión deberá ser realizada por un instalador de gas propano calificado.

Los orificios de conversión y las instrucciones se podrán encontrar en la parte trasera de la cocina.

Guarde estas instrucciones y todo orificios en caso de que lo desee convertir nuevamente a gas natural.

Parte Trasera de la Estufa



INSTALACIÓN EN ALTITUDES ELEVADAS

A más de 6000 pies, el producto configurado para gas natural o propano requiere la instalación del kit (WB28X29254 para gas natural y WB28X29255 para gas propano). Siga las instrucciones incluidas con el kit.

1 SUMINISTRO DE GAS

⚠ ADVERTENCIA

Riesgo de incendio:
No use una llama para controlar las pérdidas de gas.

⚠ ADVERTENCIA

Riesgo de explosión: No supere una torsión máxima de 25 pies-libras al realizar conexiones de tuberías de gas. Cualquier ajuste en exceso podrá romper el regulador de presión, resultando en riesgo de incendio o explosión.

Regulador de Presión de Gas

Se deberá usar el regulador de presión de gas suministrado con esta cocina. Para un funcionamiento adecuado, la presión de entrada al regulador deberá ser la siguiente:

Gas Natural:

Presión mínima: Columna de Agua de 6"

Presión máxima: Columna de Agua de 13"

Gas Propano:

Presión mínima: Columna de Agua de 11"

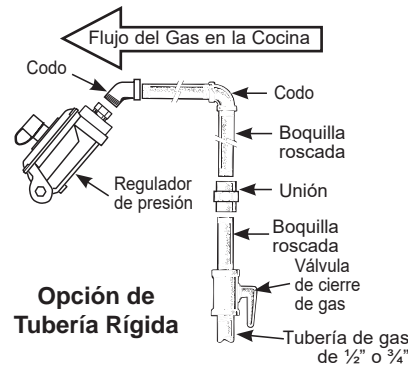
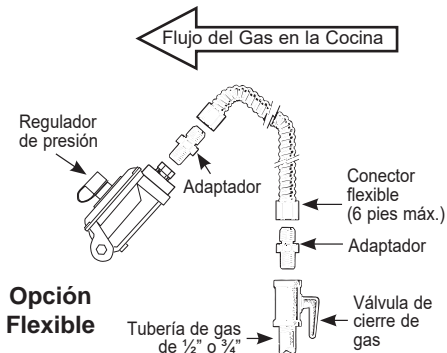
Presión máxima: Columna de Agua de 13"

Si no está seguro sobre cuál es la presión de entrada, comuníquese con el proveedor de gas local.

Cierre la válvula principal de suministro de gas antes de desconectar su vieja cocina y deje la misma apagada hasta que la nueva conexión se haya completado. No olvide volver a encender el piloto en otros electrodomésticos a gas cuando vuelva a encender el gas.

Debido a que las tuberías duras restringen el movimiento de la cocina, se recomienda el uso del conector para electrodomésticos de metal flexible con certificación internacional de CSA, a menos que los códigos locales requieran una conexión de tubería dura. Si se usa el método de tubería dura, deberá alinear la misma con cuidado; la cocina no se podrá mover una vez realizada la conexión.

CONEXIÓN DEL CONECTOR



Instalador: Informe al consumidor sobre la ubicación de la válvula de cierre de gas.

Para evitar pérdidas de gas, coloque el compuesto de la junta de gas, o envuelva la cinta para roscas de tuberías con Teflón* alrededor de todas las roscas de tubería macho (externas).

- Instale una válvula de cierre manual de la línea de gas en la línea de gas, en una ubicación de fácil acceso fuera de la cocina. Asegúrese de que todas las personas que usen la cocina sepan dónde y cómo cerrar el suministro de gas de la cocina.
- Instale el adaptador de la unión cónica macho de 1/2" a la rosca interna de 1/2" de NPT en la entrada del regulador. Use la llave de repuesto en el accesorio regulador para evitar daños.
Al instalar la cocina desde el frente, retire el codo de 90° para una instalación más fácil.
- Instale un adaptador para unión cónica de 1/2" o 3/4" a la rosca interna de NPT de la válvula de cierre manual, procurando evitar que la válvula de cierre no gire.
- Conecte el conector de metal flexible del electrodoméstico al adaptador de la cocina. Posicione la cocina para permitir la conexión en la válvula de cierre.
- Cuando todas las conexiones se hayan realizado, asegúrese de que todos los controles de la cocina estén en la posición de apagado y encienda la válvula de suministro principal de gas. Use un detector de pérdida de líquido en todas las uniones y conexiones, para controlar pérdidas en el sistema.

Al usar presión superior a 1/2 psig para controlar la presión del sistema de suministro de gas de la residencia, desconecte la cocina y la válvula de cierre individual de la tubería de suministro de gas. Al usar las presiones de prueba de 1/2 psig o menos para controlar el sistema de suministro de gas, simplemente aisle la cocina del sistema de suministro de gas, cerrando la válvula de cierre individual.

Al controlar el funcionamiento adecuado del regulador, la presión de entrada deberá ser por lo menos 1" mayor que la presión de funcionamiento (tubo) como en la etiqueta de calificación del producto.

*Teflón: Marca registrada por DuPont

2 CONEXIONES ELÉCTRICAS

⚠ ADVERTENCIA

Riesgo de

Descarga: Este electrodoméstico deberá estar conectado a tierra de forma adecuada. Si no cumple con esto se podrán producir descargas eléctricas.

Requisitos Eléctricos - Circuito específico de 120 voltios, 60 Hertz, correctamente conectado a tierra por un disyuntor de 15 o 20 amperes o fusible de retraso.

Nota: No se recomienda para este producto el uso de interruptores automáticos, inalámbricos o con cableado externo que apagan la corriente del electrodoméstico.

Conexión a Tierra

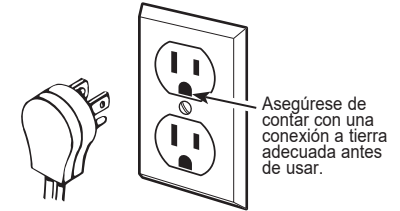
El cable de corriente de este electrodoméstico cuenta con un enchufe de 3 patas (conexión a tierra) que se conecta a un tomacorriente de pared estándar de 3 cables para minimizar la posibilidad de riesgos de descargas eléctricas por parte del mismo.

El cliente deberá contratar a un electricista calificado para que controle el circuito, a fin de asegurar que el tomacorriente esté correctamente conectado a tierra.

En caso de contar con un tomacorriente de pared de 2 cables, es la responsabilidad y obligación del cliente reemplazarlo por un tomacorriente de pared de 3 cables correctamente conectado a tierra.

NUNCA, BAJO NINGUNA CIRCUNSTANCIA, CORTE NI ELIMINE EL TERCER CABLE (TIERRA) DEL CABLE DE CORRIENTE. NO USE UN ADAPTADOR. NO USE UN PROLONGADOR.

No se requieren ni se recomiendan Interruptores con Detección de Falla a Tierra (GFCI) en receptáculos de cocinas a gas. El funcionamiento de la cocina no se verá afectado si se utiliza en un circuito GFCI protegido, pero es posible que se produzcan detenciones ocasionales no deseadas del interruptor GFCI.



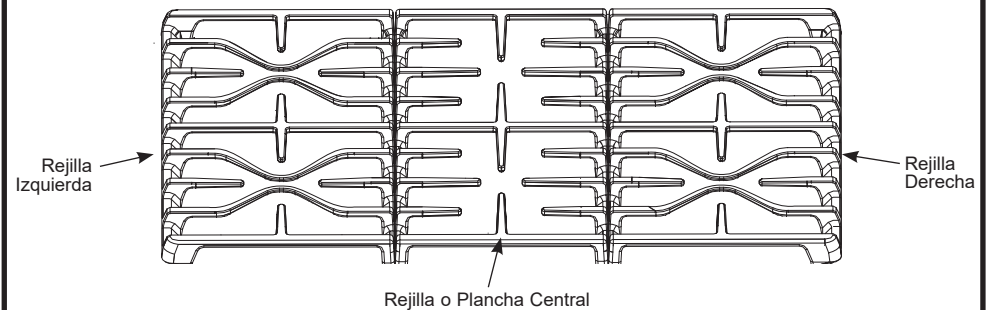
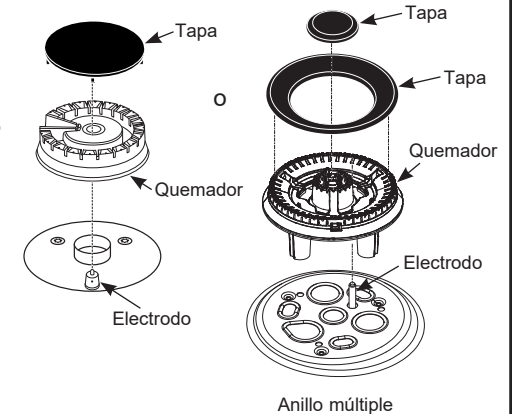
3 SUPERFICIALES UEMADORES

⚠ ADVERTENCIA

Riesgo de Incendio

o Explosión: No use el quemador sin que todas las partes de los quemadores estén en sus respectivos lugares.

- Quemadores** - Coloque las cabezas de los quemadores en las posiciones correspondientes en la placa de cocción.
- Tapas** - Coloque las tapas en los quemadores de los tamaños correspondientes.
- Rejillas** - Las rejillas izquierda y derecha son intercambiables. Coloque las rejillas en la placa de cocción.



4 CONTROLE LAS CABEZAS DE LOS QUEMADORES

Presione y gire la perilla a la posición LITE (Luz). Un sonido de clic indica el correcto funcionamiento del sistema de encendido. Al iluminar cualquier quemador, se producirán chispas en todos los quemadores pero sólo saldrá gas del que fue seleccionado. Una vez que el aire se haya purgado de la línea de suministro, el quemador se deberá encender dentro de los 4 segundos. Luego de que el quemador se encienda, gire la perilla fuera de la posición LITE (Luz). Pruebe cada quemador de forma sucesiva hasta que todos los quemadores hayan sido controlados.

Calidad de las Llamas

Determine la calidad de las llamas de forma visual. Las llamas normales de los quemadores se deberán ver como (A) o (B).



(A) Llamas azul suave — Normal para gas natural



(B) Puntas amarillas en conos externos — Normal para el gas propano

Las llamas largas de color amarillo brillante no son normales. Las llamas normales podrán mostrar signos de un tinte anaranjado cuando estén bien quemadas, o signos de anaranjado parpadeante debido a las partículas del gas o del aire.

5 CONTROLE LOS QUEMADORES PARA HONEAR Y ASAR

- Configure la función Bake (Hornear) en 350° F. El quemador se deberá iluminar entre 30 y 60 segundos.

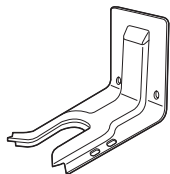
- Configure asar en Broil Hi (Asado Alto). El quemador se deberá iluminar en un tiempo de entre 30 y 60 segundos.

6 INSTALE Y CONTROLE EL DISPOSITIVO ANTIVOLCADURAS

⚠ ADVERTENCIA

Nunca retire completamente las patas niveladoras, ya que la cocina no estará asegurada de forma adecuada al dispositivo antivolcaduras.

Siga las instrucciones suministradas con el soporte ANTIVOLCADURAS.



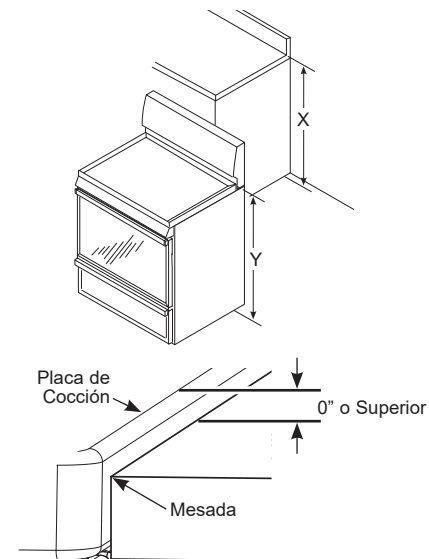
Kit de soporte anti-volcaduras incluido

7 NIVELACIÓN DE LA COCINA

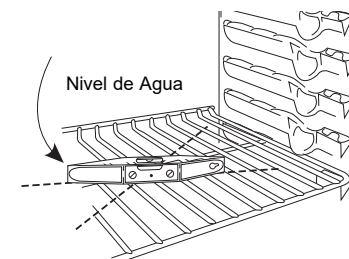
⚠ ADVERTENCIA

Nunca retire completamente las patas niveladoras, ya que la cocina no estará asegurada de forma adecuada al dispositivo anti-volcaduras.

- Enchufe la unidad.
- Mida la altura de su mostrador de encimera en la parte trasera de la abertura (X).
- Ajuste las dos patas de nivelación traseras para que la parte trasera de la estufa se encuentre a la misma altura o más arriba que la mesada (Y).
- Deslice la unidad en su lugar.
- Instale los estantes del horno en la unidad y coloque la cocina donde se instalará.
- Controle la nivelación colocando un nivel de burbuja de aire sobre uno de los estantes del horno. Haga dos lecturas—con el nivel ubicado en diagonal primero en una dirección y luego en la otra.
- Ajuste las patas de nivelación frontales hasta que la cocina quede nivelada.
- Observe debajo de la unidad y verifique que la pata trasera esté completamente adherida al dispositivo antivolcaduras. De no ser así, retire la unidad y ajuste la altura de la pata trasera de modo que quede correctamente adherida.



NOTA: La placa de cocción debe estar a la misma altura o más arriba que la mesada.



CUANDO TODAS LAS CONEXIONES SE HAYAN COMPLETADO

Asegúrese de que todos los controles queden en la posición de apagado. Asegúrese de que el flujo de la combustión y el aire de ventilación a la cocina estén desobstruidos.

Asegúrese que todos los materiales de empaque y cintas se hayan retirado. Esto incluye cintas sobre el panel metálico debajo de las perillas de control (si corresponde), cinta adhesiva, cintas de ajuste, cartón y plástico protector. Si estos materiales no se retiran, se podrá producir como resultado un daño sobre el electrodoméstico, una vez que el mismo haya sido encendido y las superficies estén calientes.