



## REFRIGERATOR

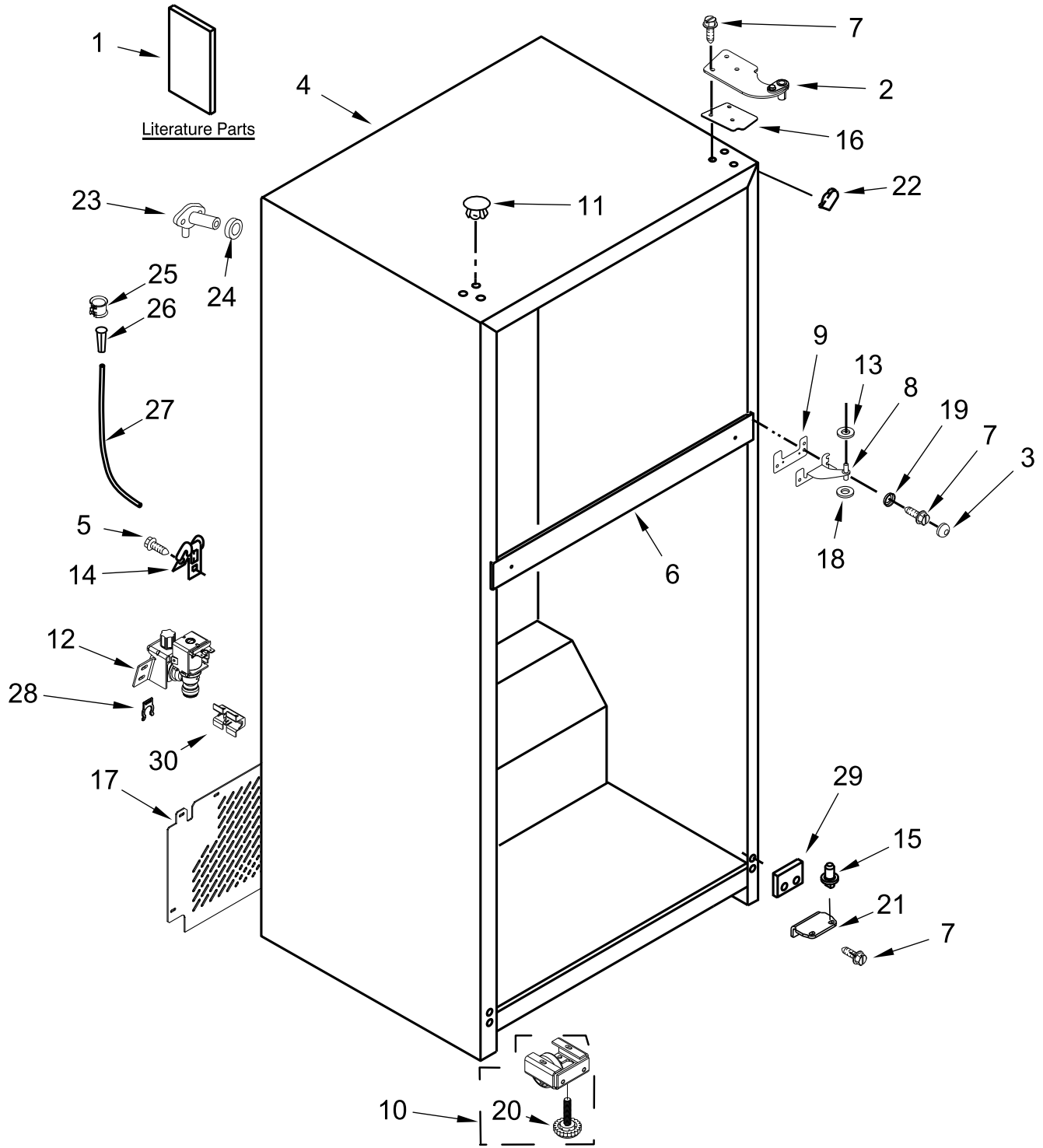
### MODELS:

WRTX5028PW01 (White)

WRTX5028PB01 (Black)

WRTX5028PM01 (Stainless)

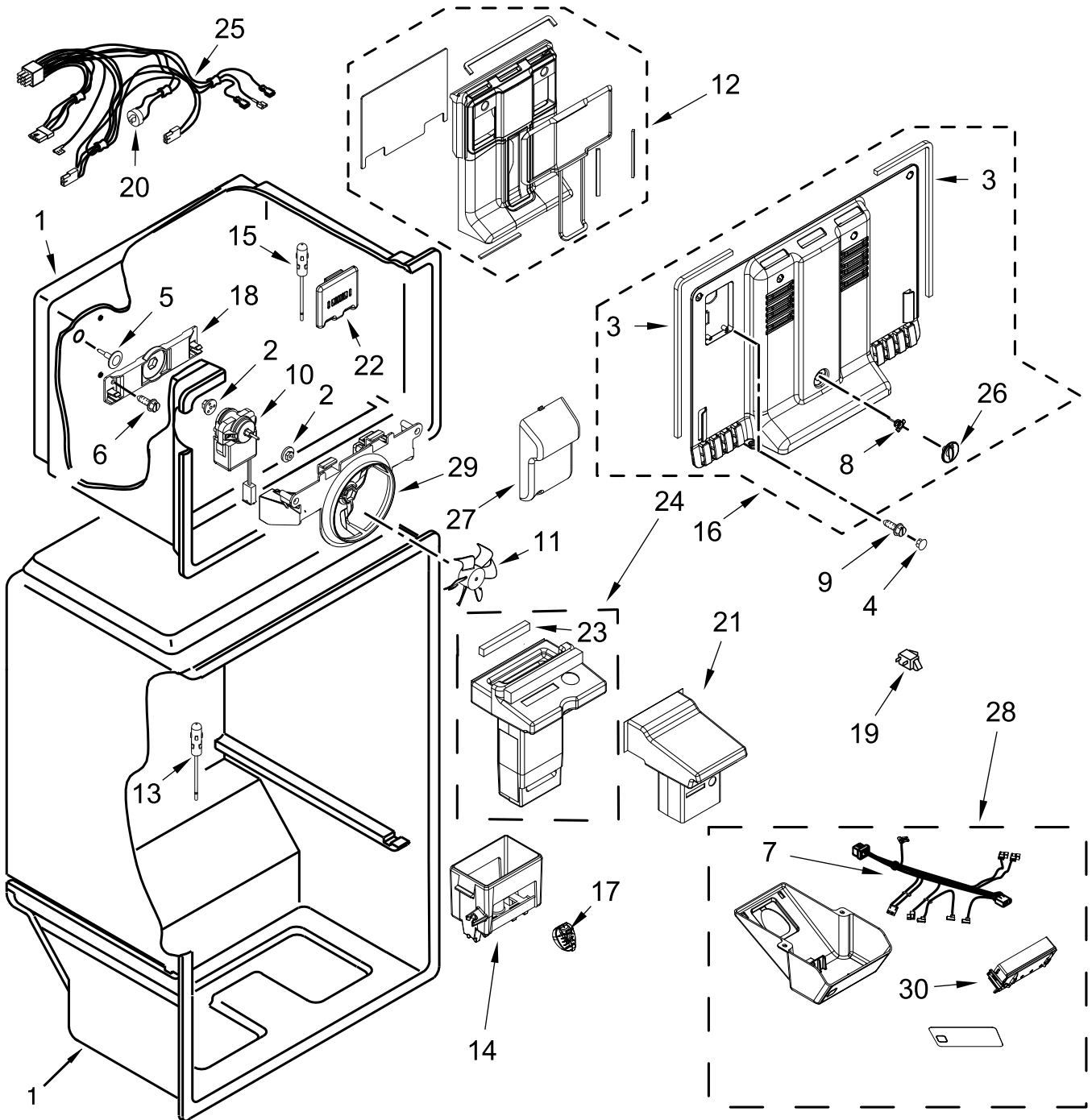
# CABINET PARTS



# CABINET PARTS

<u>Illus.</u> <u>No.</u>	<u>Part No.</u>	<u>Description</u>	<u>Illus.</u> <u>No.</u>	<u>Part No.</u>	<u>Description</u>	<u>Illus.</u> <u>No.</u>	<u>Part No.</u>	<u>Description</u>
1		Literature Parts	9		Shim, Hinge (Center)	20	W10133299	Leveler
	W11511781	Tech Sheet		2166043	White	21	2325482	Hinge, Bottom
	W11507956	Use and Care Guide		2215385	Black	22		Filler, Corner
	W11647837	Energy Guide	10	W10142530	Assembly, Roller		2166003	White
2	W10300065	Assembly, Top Right Hinge	11		Plug, Hole		2215384	Black
				W10520304	White		W10761079	Grey
3		Cap, Dome		W10520305	Black	23	W11249272	Fitting, Water Tube
	W10674771	White		W10520307	Grey	24	1106508	Gasket, Seal
	W10679135	Black	12	W10498995	Valve, Inlet	25	W10329003	Clamp, Tube
	W10679139	Grey	13	489341	Washer, Plastic	26	2181939	Insert, Tube
4		Cabinet (Not Serviced)	14	W11242280	Clamp, Power Cord	27	2181944	Tube, Water
5	489442	Screw	15	W10638688	Hinge Pin	28	W11175632	Locking Ring (1/4)
6		Rail, Center (Not Serviced)	16	W10883637	Shim, Top Hinge	29	2201567	Shim, Hinge (Bottom)
			17	W11307292	Cover Unit	30	W11416450	Spacer, Back
7	489497	Screw	18	487576	Washer, Plastic			
8	2166086	Assembly, Hinge (Center)	19	W10674773	Cap, Washer Dome			

# LINER PARTS

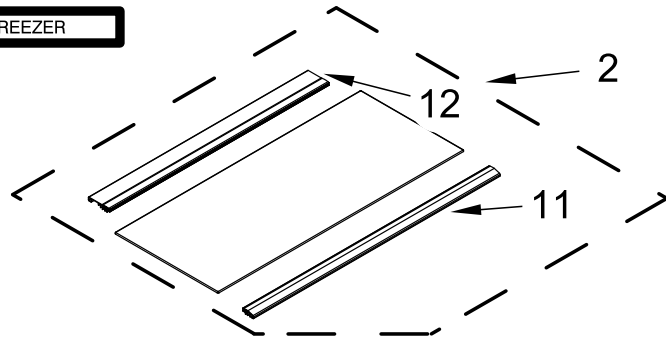


# LINER PARTS

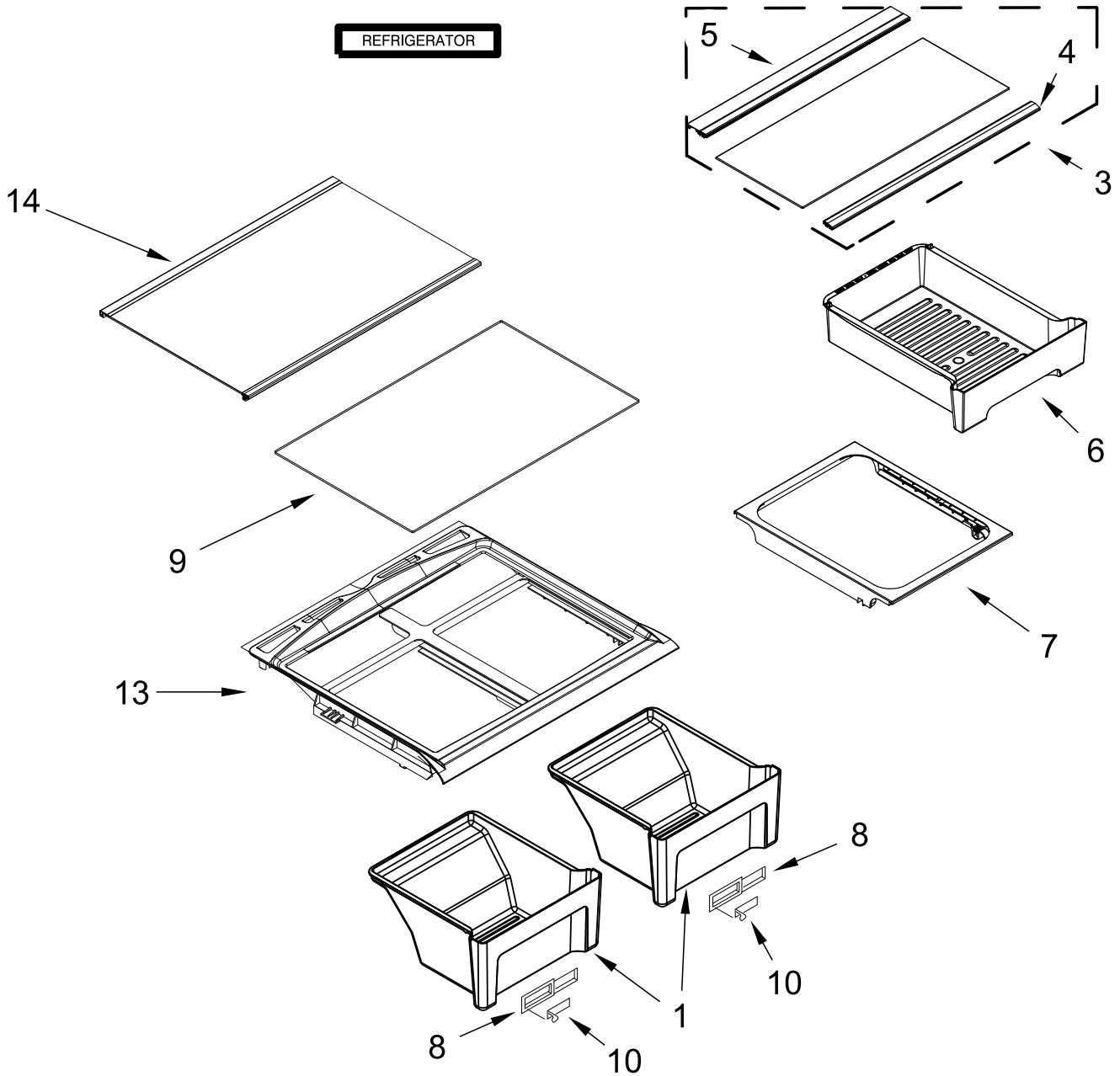
<u>Illus. No.</u>	<u>Part No.</u>	<u>Description</u>	<u>Illus. No.</u>	<u>Part No.</u>	<u>Description</u>	<u>Illus. No.</u>	<u>Part No.</u>	<u>Description</u>
1		Liner (Not Serviced)	12	W10813581	Assembly, Evaporator Plenum	22	2321148	Housing, Thermistor
2	2197380	Grommet	13	W10452402	Thermistor, Refrigerator	23	W10702120	Gasket, Air Diffuser
3	W10579698	Gasket, Evaporator Cover	14	W10570480	Cover, Air Diffuser	24	W11603929	Assembly, Air Diffuser
4	W10487421	Cover, Screw	15	W10384183	Thermistor	25	W11314500	Assembly, Evaporator Fan Wire (Includes Thermal Fuse)
5	941839	Hole Plug White	16	W11510100	Cover, Evaporator	26	W10570952	Knob, Air Control
6	488208	Screw	17	W11254095	Module, LED	27	W11341625	Cover, Water Tube
7	W11203361	Wire Assembly, Control Box	18	2254454	Bracket, Evaporator Fan Rear	28	W11476570	Electronic, Control
8	W10169456	Baffle, Air Manual	19	W11514900	Switch, Light	29	W10321162	Bracket, Fan Motor
9	8281232	Screw	20		Bi-Metal Defrost (Not Serviced)	30	W11476559	Control, Electronic
10	2315539	Motor, Evaporator Fan	21	W10570941	Duct, Air			
11	2200509	Blade, Fan						

# SHELF PARTS

**FREEZER**



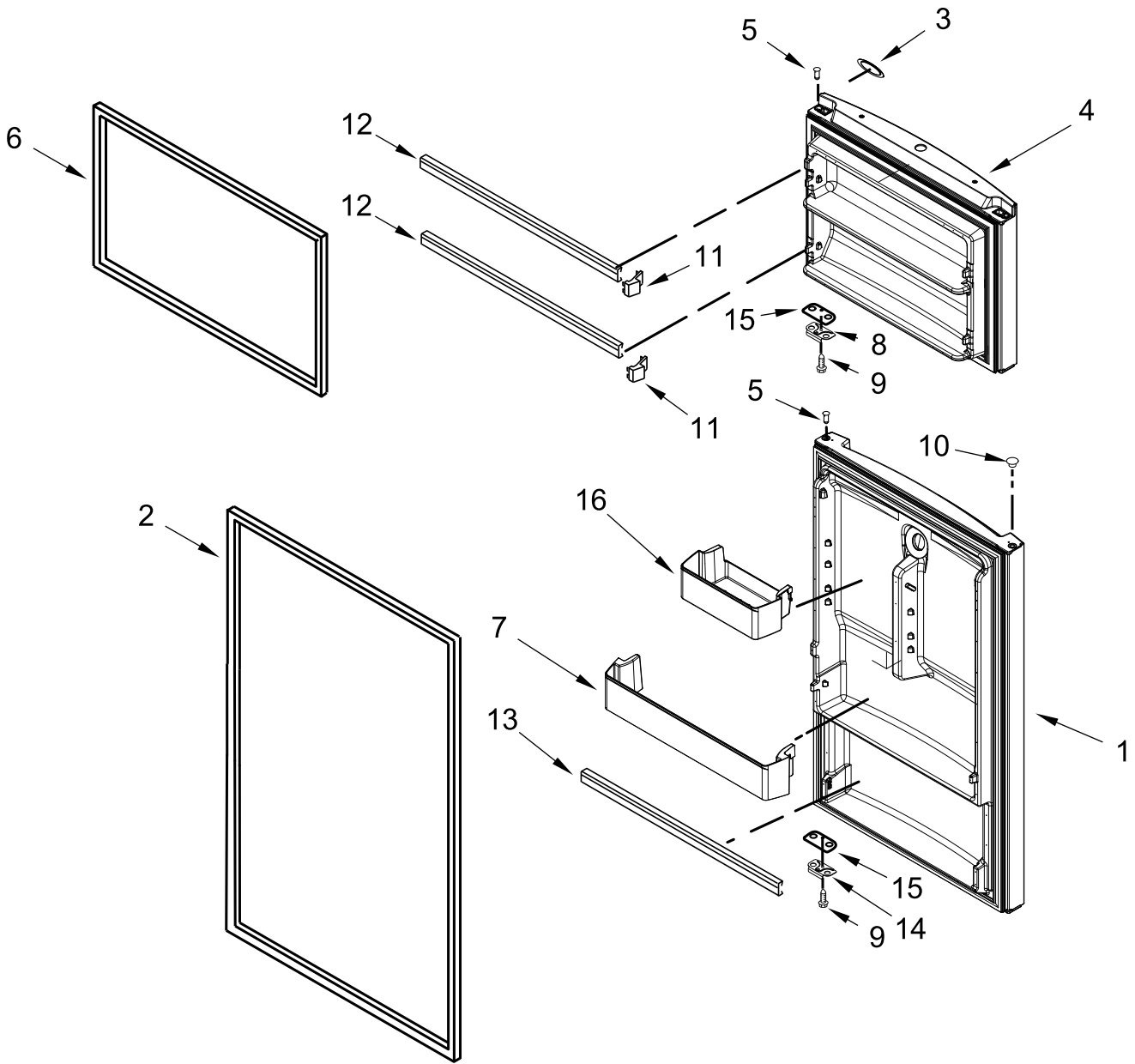
**REFRIGERATOR**



# SHELF PARTS

<u>Illus.</u> <u>No.</u>	<u>Part No.</u>	<u>Description</u>	<u>Illus.</u> <u>No.</u>	<u>Part No.</u>	<u>Description</u>	<u>Illus.</u> <u>No.</u>	<u>Part No.</u>	<u>Description</u>
1	2256704	Pan, Crisper	7	W10814193	Holder, Meat Pan	13	2222031	Cover, Crisper
2	W10847320	Shelf, Glass	8	2212446	Body, Humidity Control	14	W11184842	Assembly, Glass Shelf
3	W11596625	Shelf Pan Glass, Meat	9	2324035	Glass, Shelf			
4	W11596624	Trim Shelf, Front	10	2176222	Slide, Humidity Control			
5	W10804343	Trim Shelf, Rear	11	W10847166	Trim, Shelf Front			
6	W10815714	Pan, Meat	12	W10847182	Trim, Shelf Rear			

# DOOR PARTS

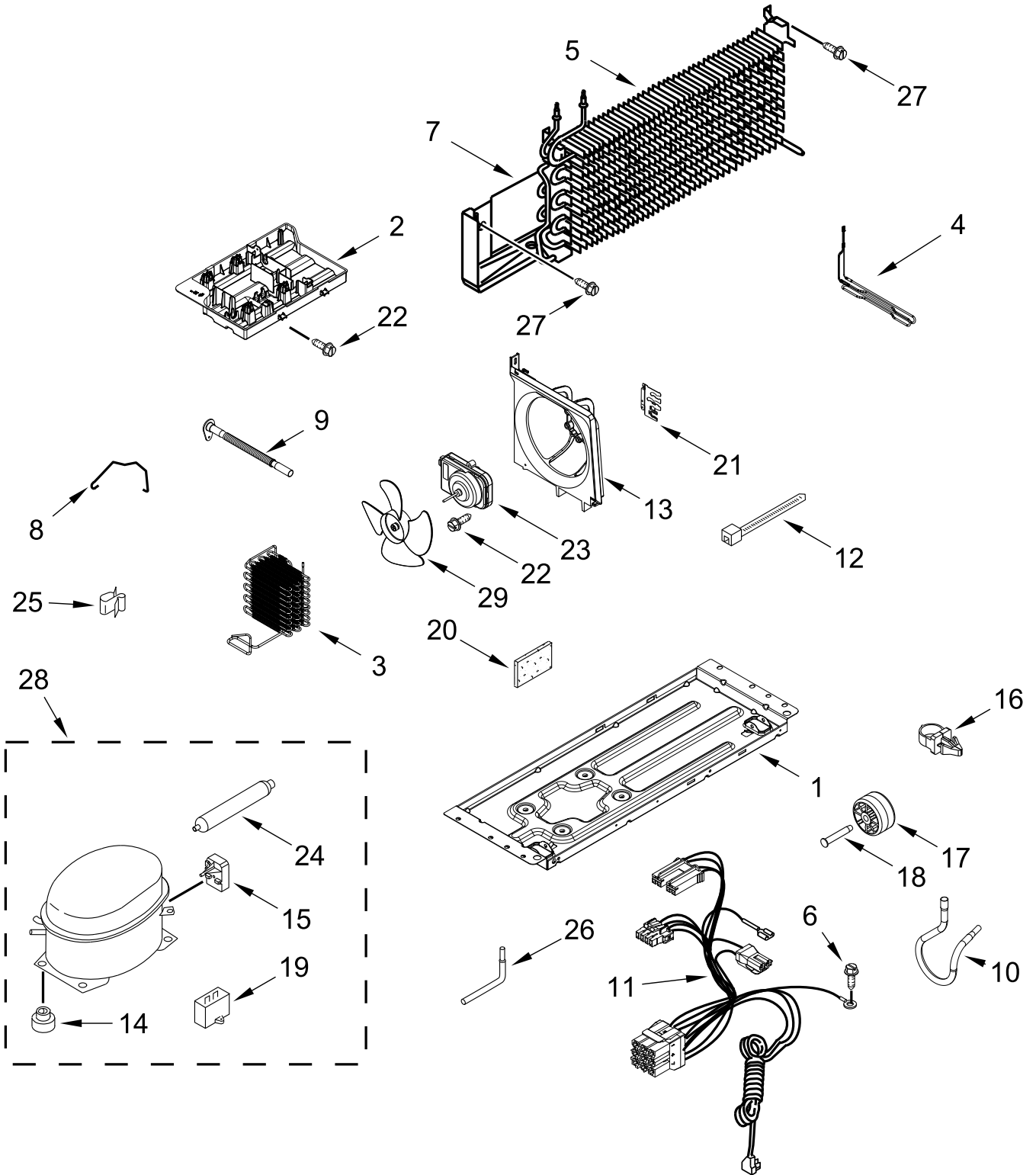




# DOOR PARTS

<u>Illus.</u> <u>No.</u>	<u>Part No.</u>	<u>Description</u>	<u>Illus.</u> <u>No.</u>	<u>Part No.</u>	<u>Description</u>	<u>Illus.</u> <u>No.</u>	<u>Part No.</u>	<u>Description</u>
1		Refrigerator Door (Includes Illustration 2)	5		Thimble	11	2156003	Endcap, Trim
	W11634841	White		W10492018	White	12	W10245587	Trim, Door Shelf
	W11616141	Black		W10334042	Black	13	W10802128	Trim, Door Shelf
	W11634842	Stainless		W10492022	Grey	14	W10492012	Bracket, Door Stop
2		Gasket, Door	6		Gasket, Door	15		Shim, Door Stop
	2264729	White		W10840863	White		2258681W	White
	2264725	Black		W10843447	Black	16	W10805890	Movable, Bin
	W10244874	Grey		W10843448	Grey			
3	W10884775	Badge	7	W10805892	Trivet			
4		Freezer Door (Includes Illustration 6)	8	2189202	Bracket, Door Stop			
	W10852088	White	9	488921	Screw			
	W10803963	Black	10		Plug, Hole			
	W10803960	Stainless		2212648	White			
				2212651	Black			
				2254517	Grey			

# UNIT PARTS



# UNIT PARTS

<u>Illus.</u> <u>No.</u>	<u>Part No.</u>	<u>Description</u>	<u>Illus.</u> <u>No.</u>	<u>Part No.</u>	<u>Description</u>	<u>Illus.</u> <u>No.</u>	<u>Part No.</u>	<u>Description</u>
1	W10573847	Support Plate, Compressor	10	W11518247	Tube, Suction	25	1114718	Clip, Wiring
2	W10565417	Tray, Evaporator	11	W11238411	Harness, Unit	26	W11461499	Tube, Process
3	W11299410	Condenser (Also Order the Following Lokring Parts)	12	2263990	Tie, Wire	27	489442	Screw
	W11504445	5/4 NR MS 00 (High Side to Condenser)	13	W10570380	Scroll, Fan	28	W11476127	Compressor (Also Order the Following Lokring Parts)
	W11504432	6/5 NR MS 00 (Suction Line to Condenser)	14	W10806346	Grommet, Compressor		W11504415	8.5/8 NR MS 00 (Suction Tube to Compressor)
4	W11339349	Heater, Defrost	15	W11359381	Device, Combination Start (Start Relay and Overload)		W11504430	7/6 NR MS 00 (High Pressure Side to Compressor)
5	W11497963	Assembly, Evaporator (Also Order the Following Lokring Parts)	16	2219077	Clip, Harness		W11506619	8 NK MS 00 (Process Tube to Compressor)
	W11504450	4/1.8 NR MS 00 (Capillary Tube to Evaporator)	17	W10475495	Roller	29	W10675036	Blade, Fan REFRIGERANT CHARGE 56 grams (R600a)
	W11506620	8 NK AL 00 (Suction Line to Evaporator)	18	2264756	Axle, Roller			
6	8533919	Screw	19	W10590083	Capacitor			
7	W10570572	Shield, Heat	20	2215468	Insulation, Sound			
8	W11495051	Strap, Bale	21	W11340313	Bracket, Evaporator			
9	W10582029	Extension, Drain Tube	22	8533859	Screw			
			23	W10909387	Motor, Condenser Fan			
			24	W10805035	Drier (Service Drier Without Dye) (Also Order the Following Lokring Parts)			
				W11504445	5/4 NR MS 00 (Heat Loop to Drier)			
				W11504447	5/1.8 NR MS 00 (Capillary Tube to Drier)			

# OPTIONAL PARTS

<u>Illus.</u> <u>No.</u>	<u>Part No.</u>	<u>Description</u>
	978941	Insulation, Fiberglass (63 1/2" x 35 1/2" x 2 5/8")
	212643	Sealer, Gum (4 Feet)
	479502	Tape, Vinyl (3/4 x 108")
	876305	Insulation Kit (14 Pieces, 3" x 24" x 48")
	876370	Insulation (2 Pieces, 3" x 24" x 48")
	876029	Kit, Foam Slab (30" x 32 1/2" x 1 1/2")
	505587	Sealer, Mastic (1 Qt)
	511873	White Porcelain (2 oz.)
	542638	Grease, Silicone (1/2 Oz.)
	542639	Cement, Alumilastic (1 1/4 Oz.)
	606755	Bag
	833938	Kit, Terminal Connector
	503695	Cork, Sealer
	8003RP	Kit, Water Inlet
W10662124		Door Reversal Kit, White Model
W10676239		Door Reversal Kit, Black Model
W10676240		Door Reversal Kit Stainless Model
W11517113		Complete Ice Maker Kit