

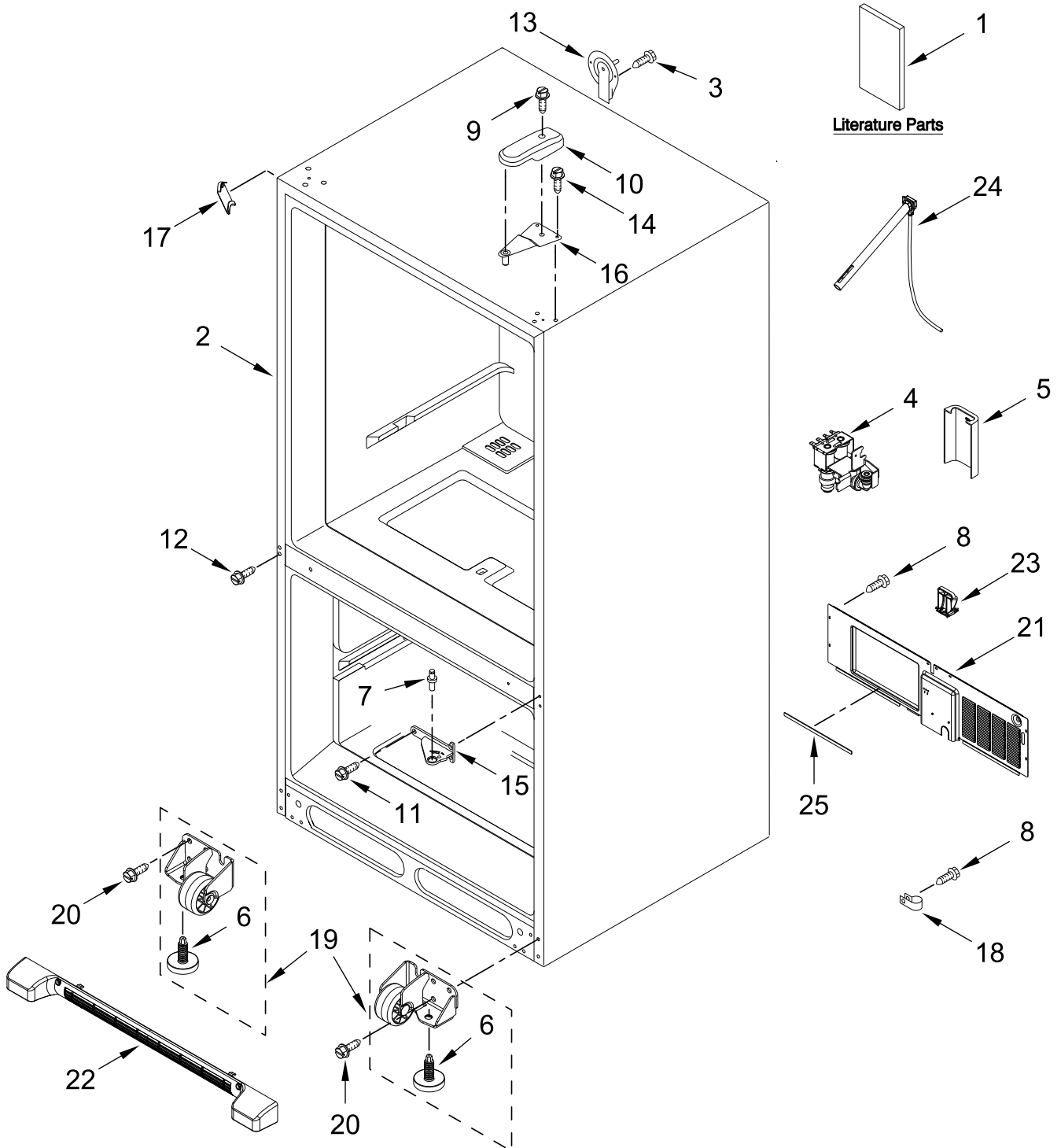


REFRIGERATOR

MODELS:

MBF1958FEZ08 (Stainless Steel)

CABINET PARTS



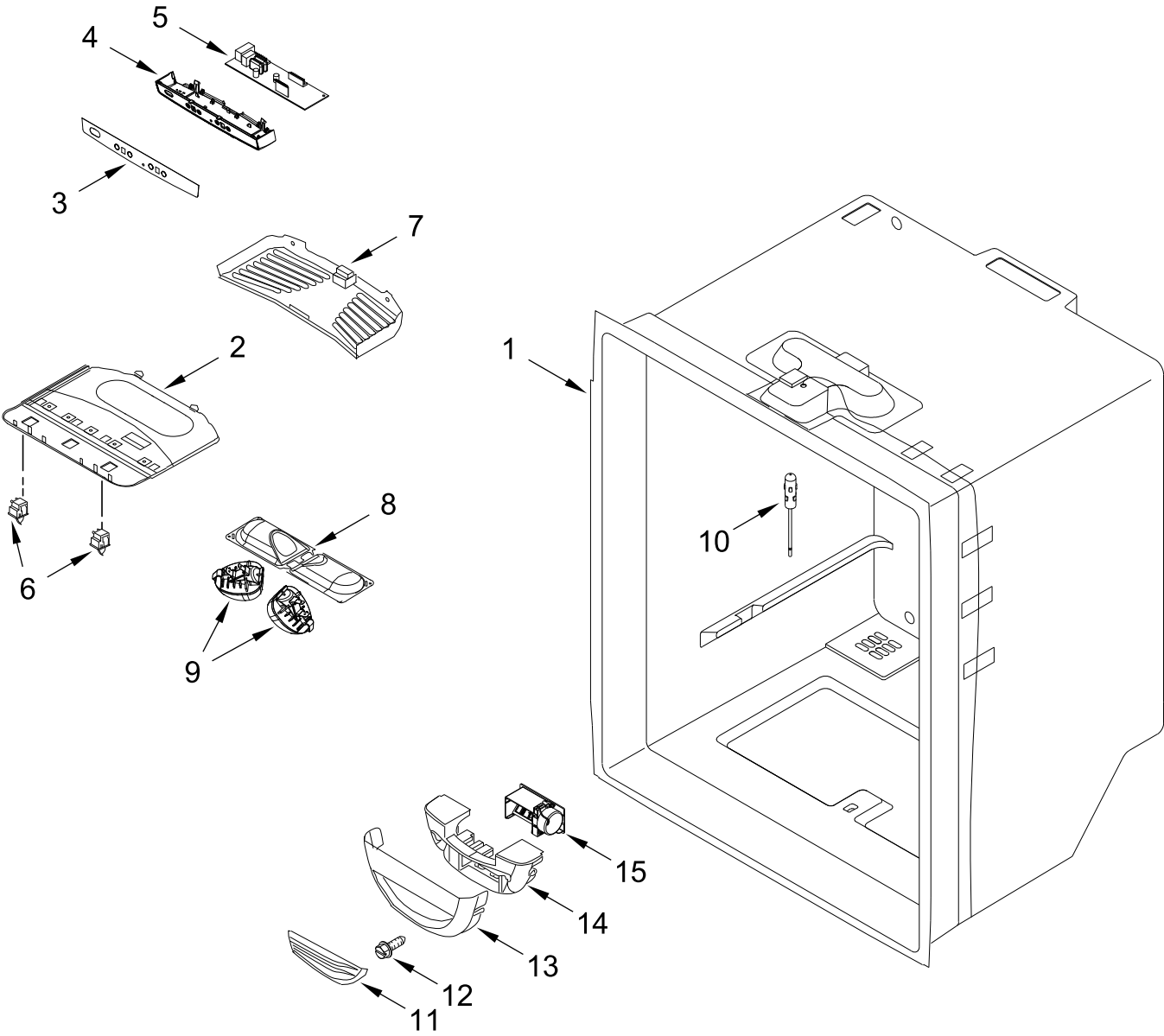
CABINET PARTS

<u>Illus. No.</u>	<u>Part No.</u>	<u>Description</u>
1		Literature Parts
	W11479841	Owner's Manual
	W11644241	Energy Guide
	W11312474	Tech Sheet
2		Cabinet (Not a Servicable Part)
3	12990504	Screw
4	W11446817	Valve, Inlet
5	W10208592	Cover, Valve
6	W10141622	Brake, Roller
7	10351006	Pin, Center Hinge
8	12990702	Screw

<u>Illus. No.</u>	<u>Part No.</u>	<u>Description</u>
9	12992602	Screw
10		Cover, Hinge
	12477601AP	Grey
11	W10673840	Screw (Stainless)
12	12990521	Screw
13	12726003	Cover, Water Line
14	12992403	Screw
15	W11610756	Hinge, Center
16	12566606ED	Hinge, Top
17		Cover, Corner
	12587703AP	Grey
18	M0108107	Clamp, Tube

<u>Illus. No.</u>	<u>Part No.</u>	<u>Description</u>
19		Assembly, Roller
	W10515763	Left Hand
	W10515762	Right Hand
20	W10709365	Screw
21	W10210978	Cover, Unit
22		Grille, Toe
	W10534165	Grey
23	W10485986	Guide, Waterline
24	W11046935	Assembly, Fill Tube (Includes Tubing, Fill Tube Elbow, Tube Insert and Clamp)
25	W11534846	Gasket

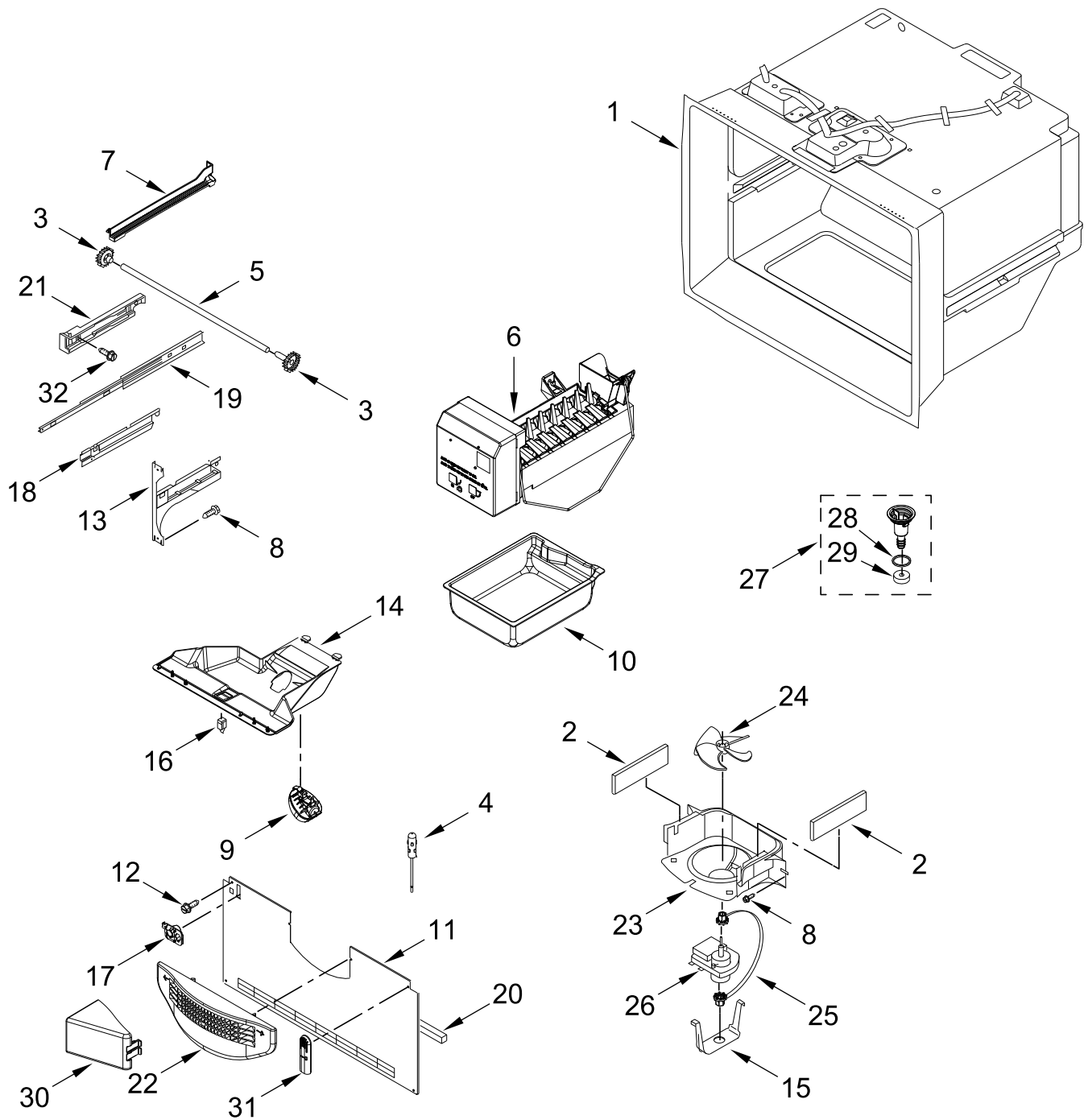
REFRIGERATOR LINER PARTS



REFRIGERATOR LINER PARTS

<u>Illus. No.</u>	<u>Part No.</u>	<u>Description</u>	<u>Illus. No.</u>	<u>Part No.</u>	<u>Description</u>	<u>Illus. No.</u>	<u>Part No.</u>	<u>Description</u>
1		Liner (Not A Serviceable Part)	7	W11132917	Cover, Light	14	W11657832	Insulation, Damper
2	W10464757	Module, Light	8	W10443023	Housing, Light	15	W10594330	Damper, Control
3	W10593588	Overlay	9	W11468934	Light Module, LED			FOLLOWING PARTS NOT ILLUSTRATED
4	W10464769	Module, Control	10	12791403	Thermistor			
5	W11321360	Control, Electronic	11	12806801	Insert, Damper Cover	W11598849		Harness, Refrigerator Control (Includes Thermistor)
6	W10847853	Switch, Rocker	12	12990604	Screw			
			13	12806701	Cover, Damper			

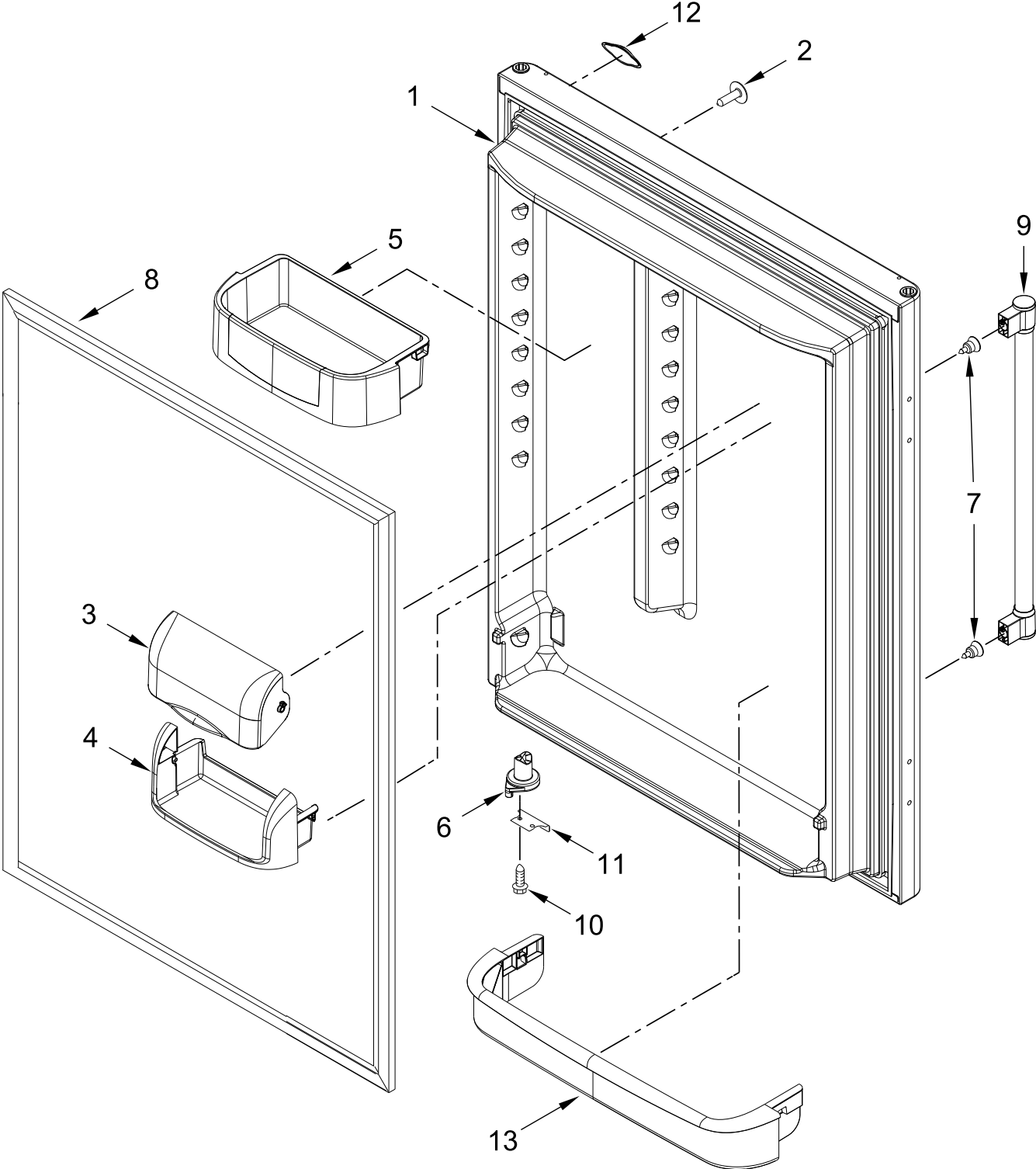
FREEZER LINER & ICEMAKER PARTS



FREEZER LINER & ICEMAKER PARTS

<u>Illus. No.</u>	<u>Part No.</u>	<u>Description</u>	<u>Illus. No.</u>	<u>Part No.</u>	<u>Description</u>	<u>Illus. No.</u>	<u>Part No.</u>	<u>Description</u>
1		Liner (Not A Serviceable Part)	13		Bracket, Door	23	13057901	Shroud, Evaporator Fan
				W10330991	Left Hand			
2	A3189392	Gasket, Foam		W10330993	Right Hand	24	2169142	Blade, Fan
3	12002497	Gear	14	W10277025	Module, Light	25	W10121318	Grommet
4	12791409SP	Thermistor	15	13058002	Clip, Evaporator Motor	26	W10128551	Motor, Evaporator
5	W10802329	Shaft, Rack	16	W10847849	Switch, Light	27	W10662407	Assembly, Drain Funnel
6	W11456887	Assembly, Icemaker (Complete)	17	W11341630	Guide, Fill Tube			
			18		Cradle, Basket	28	M0500703	Seal
7		Rail, Side		W10280608	Left Hand	29	B8381501	Gasket, Drain
	W11309374	Left Hand		W10280613	Right Hand	30	W10157765	Diverter, Air
	W11309377	Right Hand	19	W11644400	Slide, Door	31	12815301	Cover, Thermistor
8	12990521	Screw	20	A3189394	Gasket, Bottom	32	12990501	Screw
9	W11468934	Light Module, LED	21		Adapter, Side			
10	W10182748	Pan, Ice		W10284684	Left Hand			
11	W10308414	Cover, Evaporator		W10284685	Right Hand			
12	12990101	Screw	22	13024803	Grille, Freezer Air			

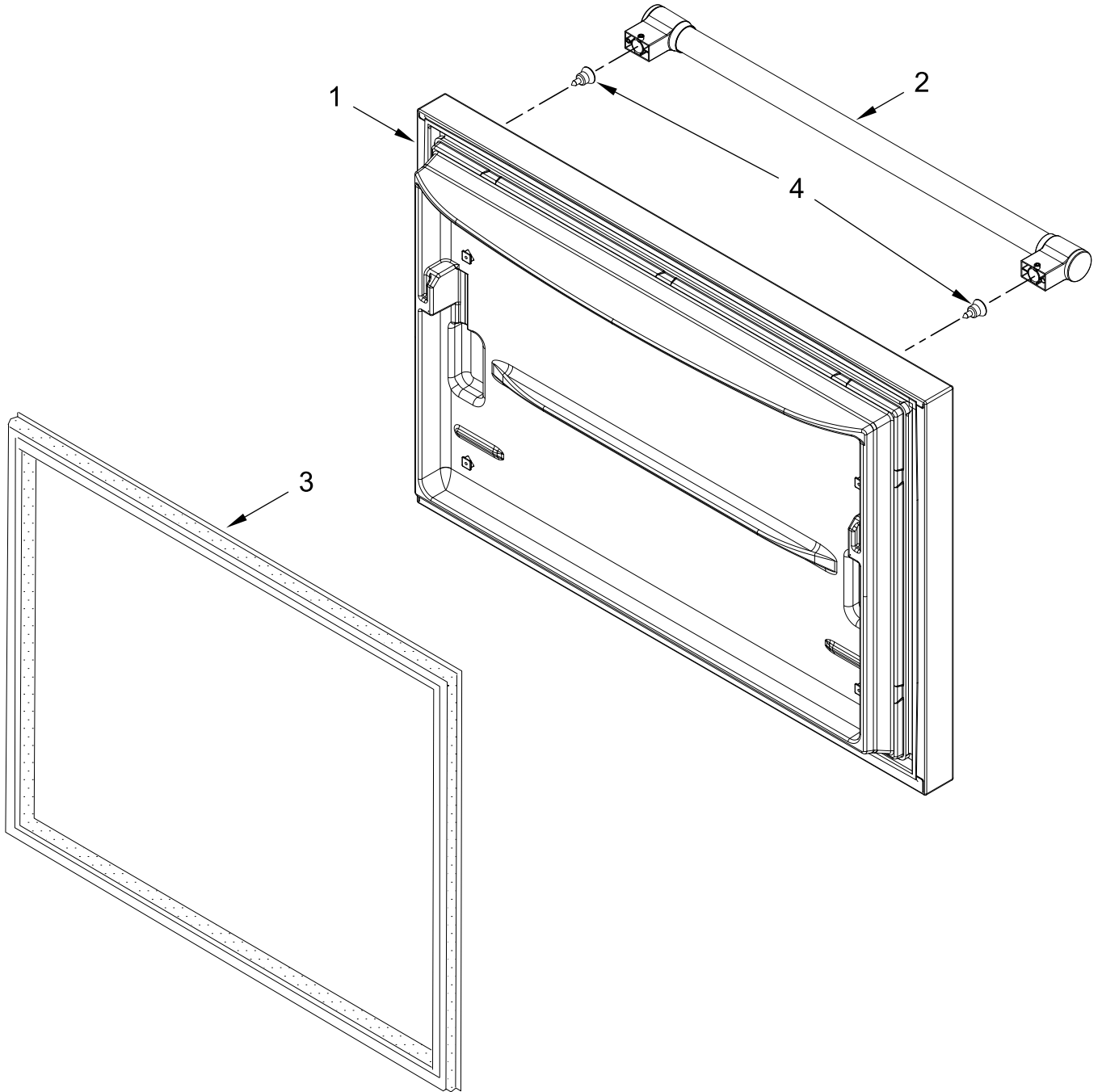
REFRIGERATOR DOOR PARTS



REFRIGERATOR DOOR PARTS

<u>Illus.</u> <u>No.</u>	<u>Part No.</u>	<u>Description</u>	<u>Illus.</u> <u>No.</u>	<u>Part No.</u>	<u>Description</u>	<u>Illus.</u> <u>No.</u>	<u>Part No.</u>	<u>Description</u>
1		Door, Refrigerator	5	W10371194	Bucket, Medium	9		Handle, Door
	W11377179	Stainless		W10351081	Bucket, Small		W10838129	Stainless
2		Plug, Button	6		Closure, Door	10	12990504	Screw
	12246610	Grey		12028505AP	Grey	11		Stop, Door
3	12804701SP	Door, Dairy	7	W11328753	Screw		12968202AP	Grey
4	12369502SP	Tray, Dairy	8		Gasket, Door	12	W10612926	Badge
				W10443310	Grey	13	12557904	Retainer, Door

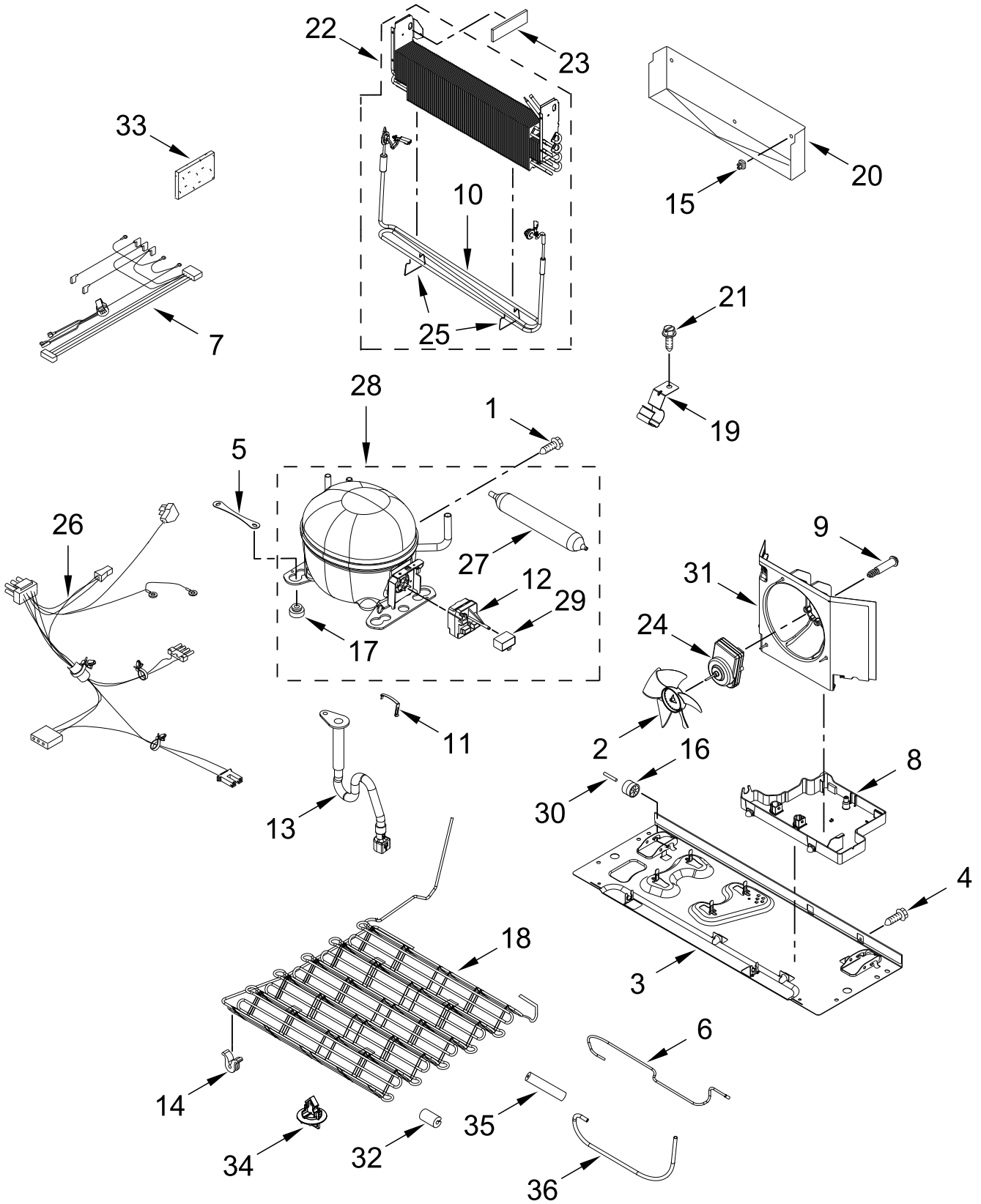
FREEZER DOOR PARTS



FREEZER DOOR PARTS

<u>Illus.</u> <u>No.</u>	<u>Part No.</u>	<u>Description</u>	<u>Illus.</u> <u>No.</u>	<u>Part No.</u>	<u>Description</u>	<u>Illus.</u> <u>No.</u>	<u>Part No.</u>	<u>Description</u>
1		Door, Freezer	2		Handle, Door	3		Gasket, Door
	W11377175	Stainless		W10838129	Stainless		W10443312	Grey
						4	W11328753	Screw

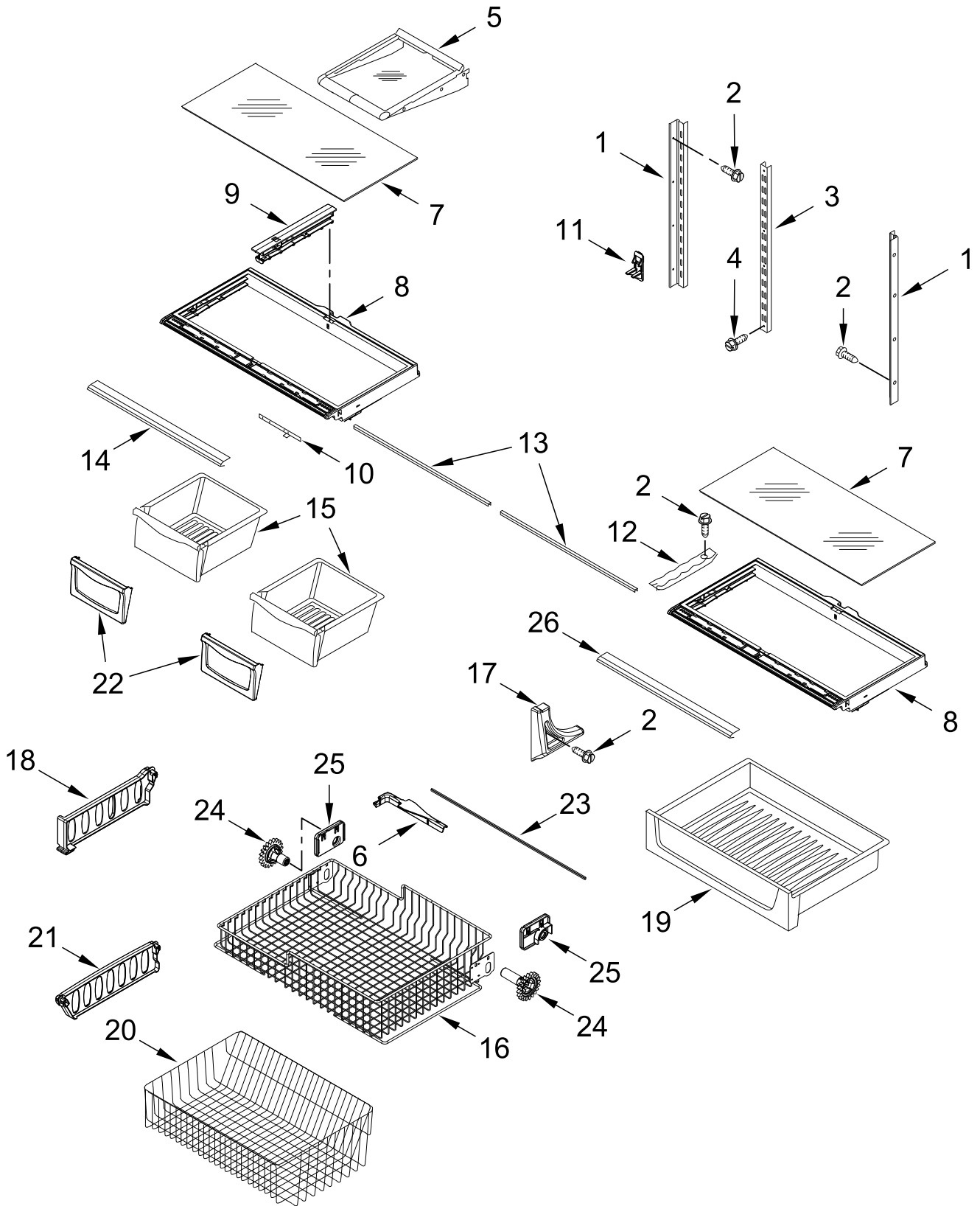
UNIT PARTS



UNIT PARTS

<u>Illus.</u> <u>No.</u>	<u>Part No.</u>	<u>Description</u>	<u>Illus.</u> <u>No.</u>	<u>Part No.</u>	<u>Description</u>	<u>Illus.</u> <u>No.</u>	<u>Part No.</u>	<u>Description</u>
1	12992301	Screw	19	W10281329	Clip, Drier	28	W11332031	Compressor (Also Order the Following Lokring Parts)
2	12825803	Blade, Fan	20	W11337775	Tray, Drip			
3	W11604798	Basepan	21	12992101	Screw			
4	12990511	Screw	22	W11515435	Assembly, Evaporator and Heater		W11504416	8.5/6 NR MS 00 (Suction Tube to Compressor)
5	W10236396	Strap, Compressor			(Also Order the Following Lokring Parts)		W11504431	7/5 NR MS 00 (Discharge Tube to Compressor)
6	W11566599	Tube, Discharge		W11504423	8/2 NR AL 00 (Capillary Tube to Evaporator)		W11506621	6 NK MS 00 (Charging Tube to Compressor)
7	W11305539	Harness, Evaporator (Includes Defrost Thermostat)		W11504415	8.5/8 NR MS 00 (Suction Line to Evaporator)		W11506635	Tube, Charging (1/4 in w/ Schrader Valve)
8	W10655367	Pan, Drain	23	W11244122	Gasket, Foam	29	W10350564	Capacitor
9	W10622701	Screw	24	W11505534	Motor, Condenser Fan	30	12477202	Axle, Roller
10	W11287563	Heater, Evaporator	25	W11380964	Clip, Heater	31	W11463236	Shroud, Condenser Fan
11	W11379613	Strap, Bale	26	W11654034	Harness, Unit (Includes Power Cord)	32	2319835	Grommet, Condenser
12	W11359985	Device, Start	27	W11353156	Drier (Also Order the Following Lokring Parts)	33	2169104	Insulation, Sound Deadening
13	W10622098	Extension, Drain		W11504445	5/4 NR MS 00 (Heat Loop to Drier)	34	W10815863	Clip, Condenser
14	W10137529	Grommet, Condenser		W11504447	5/1.8 NR MS 00 (Capillary Tube to Drier)	35	W10303521	Sleeve
15	10623002	Clip, Evaporator				36	W11566588	Tube, Suction REFRIGERANT CHARGE 44 grams (R600a)
16	12477102	Roller						
17	10835903	Grommet						
18	W11353139	Condenser (Also Order the Following Lokring Parts)						
	W11506623	5 NK MS 00 (Discharge Tube to Condenser)						
	W11504432	6/5 NR MS 00 (Heat Loop to Condenser)						

SHELF PARTS



SHELF PARTS

<u>Illus. No.</u>	<u>Part No.</u>	<u>Description</u>	<u>Illus. No.</u>	<u>Part No.</u>	<u>Description</u>	<u>Illus. No.</u>	<u>Part No.</u>	<u>Description</u>
1	W10251970	Ladder, Side	12	12531901	Track, Deli Drawer	20	W11115779	Basket, Freezer (Lower)
2	12990513	Screw	13	12227302WD	Brace, Crisper Cover	21	W10146440	Divider, Basket (Lower)
3	W10273463	Ladder, Center	14	W10231481	Trim, Crisper	22	12643602	Front, Crisper
4	W10215666	Screw	15	12531305	Pan, Crisper	23	W10802340	Shaft, Rack
5	W11358358	Shelf, Stationary	16	W11115255	Basket, Freezer (Upper)	24		Gear, Spur
6	W10149389N	Lift, Bail Arm	17		Support, Pantry		W10474716	Left Hand
7	12204823N	Glass, Crisper Cover		12531001	Left Hand		W10474715	Right Hand
8	W10671240	Frame, Crisper		12531002	Right Hand	25		Mount, Gear
9	W10671238	Rail, Center Crisper	18	W10241046	Divider, Basket (Upper)		W10348259	Left Hand
10	12530805SP	Slide, Humidity Control	19	W10328331	Drawer, Pantry		W10348260	Right Hand
11	12531802	Hook, Ladder				26	W10656984	Trim, Pantry Front

OPTIONAL PARTS

<u>Illus.</u> <u>No.</u>	<u>Part No.</u>	<u>Description</u>
		TOUCH-UP PAINT
W10134625		Apollo Grey
		MISCELLANEOUS
212643		Sealer, Gum (4 Feet)
479502		Tape, Vinyl (3/4 x 108")
505587		Sealer, Mastic (1 Qt)
503695		Cork, Sealer
542638		Grease, Silicone (1/2 Oz.)
542639		Cement, Alumilastic (1 1/4 Oz.)
799833		Kit, Evaporator Repair (Aluminum Epoxy)
833938		Kit, Terminal Connector
8003RP		Kit, Water Inlet
		TORX SCREW WRENCH
1117510		Torx Key