

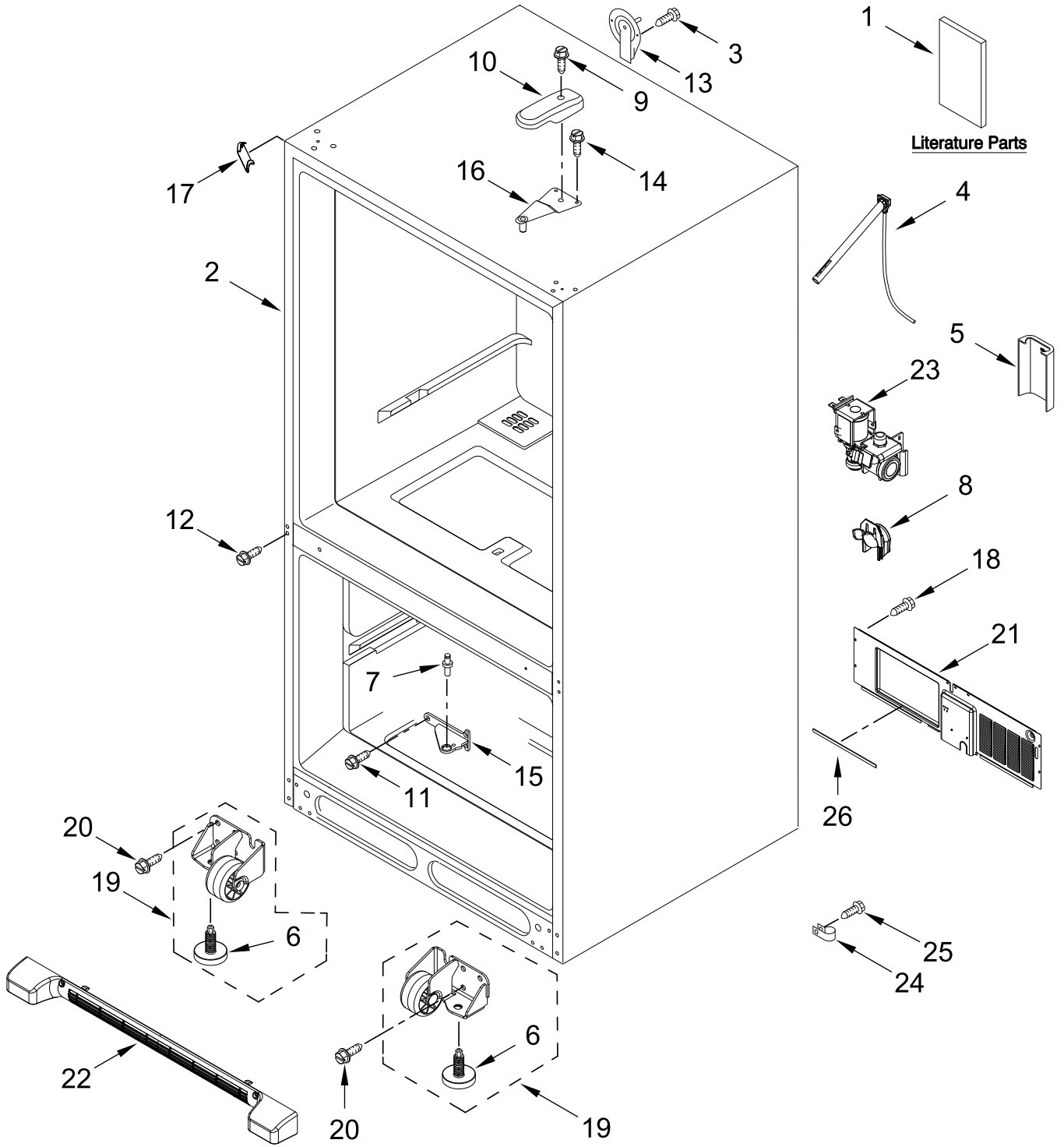


REFRIGERATOR

MODELS:

MBF2258FEZ08 (Stainless Steel)

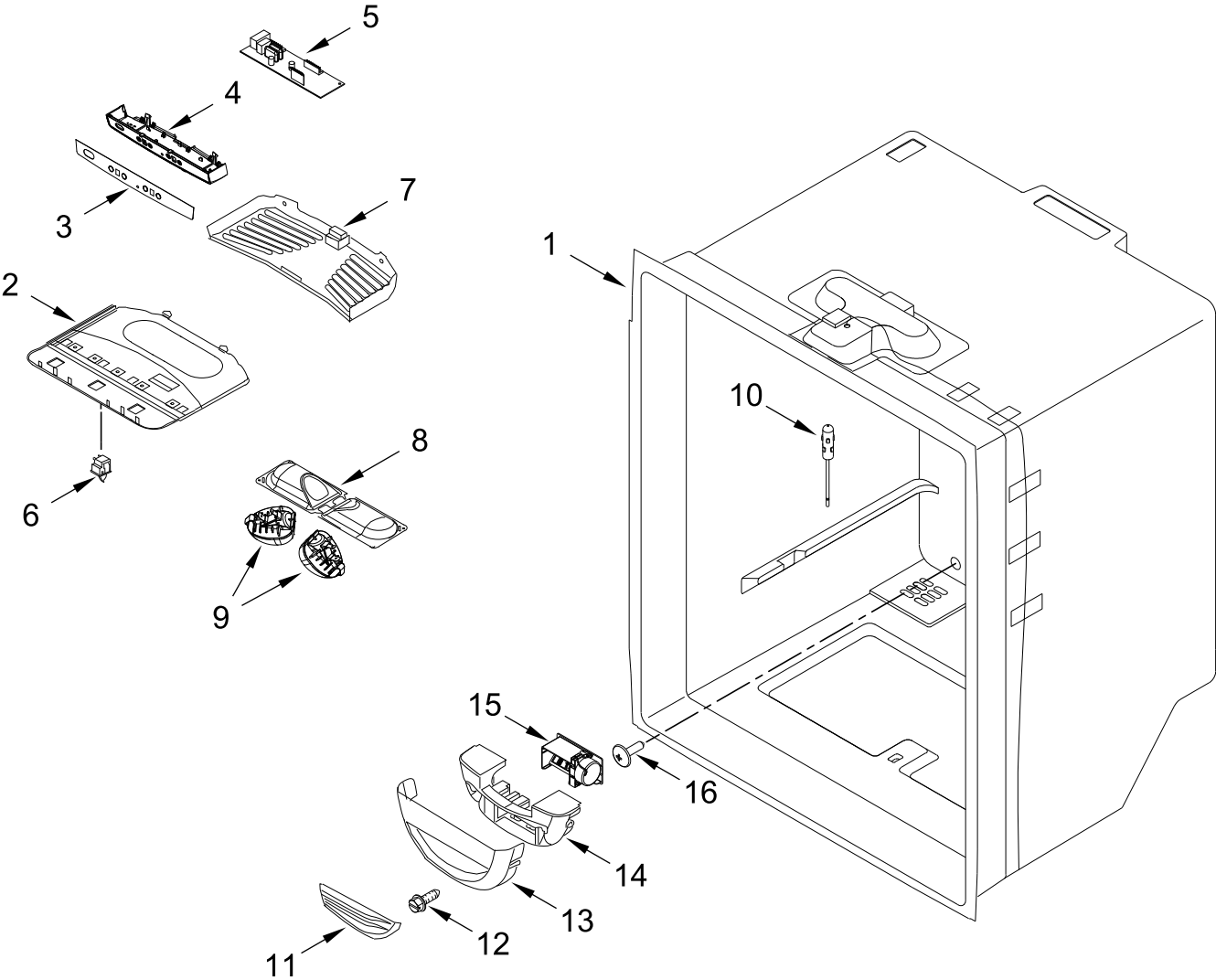
CABINET PARTS



CABINET PARTS

<u>Illus.</u> <u>No.</u>	<u>Part No.</u>	<u>Description</u>	<u>Illus.</u> <u>No.</u>	<u>Part No.</u>	<u>Description</u>	<u>Illus.</u> <u>No.</u>	<u>Part No.</u>	<u>Description</u>
1		Literature Parts	9	12992602	Screw	19		Assembly, Roller
	W11479841	Owner's Manual	10		Cover, Hinge		W10515763	Left Hand
	W11644242	Energy Guide		12477601AP	Grey		W10515762	Right Hand
	W11312474	Tech Sheet	11	W10673840	Screw (Stainless)	20	W10709365	Screw
2		Cabinet (Not a Servicable Part)	12	12990101	Screw	21	W10210979	Cover, Unit
3	12990504	Screw	13	12726003	Cover, Water Line	22		Grille, Toe
4	W11046934	Assembly, Fill Tube (Includes Tubing, Fill Tube Elbow, Tube Insert and Clamp)	14	12992403	Screw		W10534160	Grey
			15	W11610756	Hinge, Center	23	W11446817	Valve, Inlet
			16	12566606ED	Hinge, Top	24	M0108107	Clamp, Tube
			17		Cover, Corner	25	12991604	Screw
5	W10208592	Cover, Valve		12587703AP	Grey	26	W11534847	Gasket
6	W10141622	Brake, Roller	18	W10141645	Screw			
7	10351006	Pin, Center Hinge						
8	W10485986	Guide, Waterline						

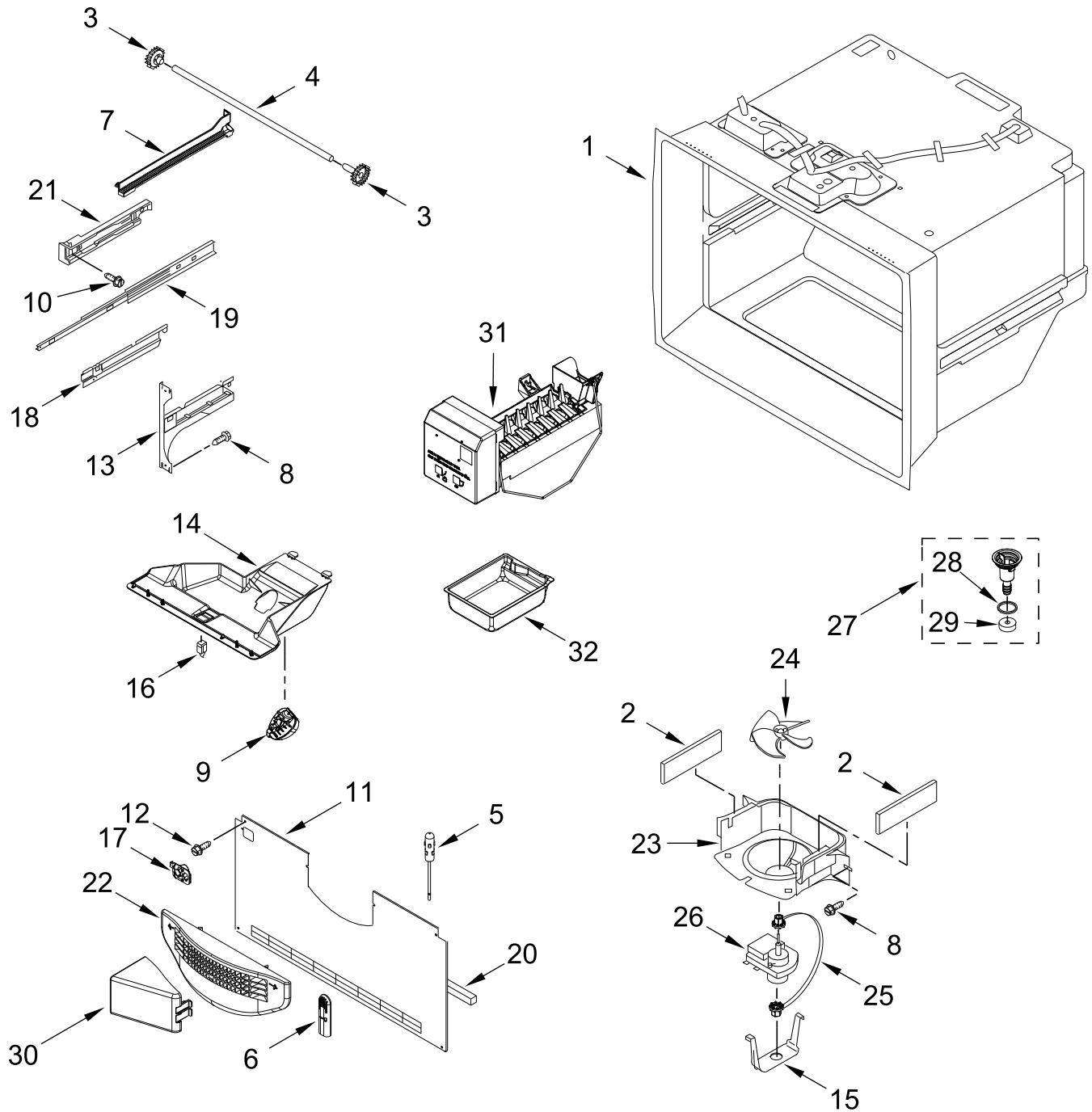
REFRIGERATOR LINER PARTS



REFRIGERATOR LINER PARTS

<u>Illus. No.</u>	<u>Part No.</u>	<u>Description</u>	<u>Illus. No.</u>	<u>Part No.</u>	<u>Description</u>	<u>Illus. No.</u>	<u>Part No.</u>	<u>Description</u>
1		Liner (Not A Serviceable Part)	9	W11468934	Light Module, LED	16		Plug, Button
2	W10464757	Module, Light	10	12791403	Thermistor		M0310343	White
3	W10593588	Overlay	11	12806801	Insert, Damper Cover			FOLLOWING PARTS NOT ILLUSTRATED
4	W10464769	Module, Control	12	12990604	Screw		W11598849	Harness, Refrigerator Control (Includes Thermistor)
5	W11321360	Control, Electronic	13	12806701	Cover, Damper			
6	W10847853	Switch, Rocker	14	W11657832	Insulation, Damper			
7	W11132917	Cover, Light	15	W10594330	Damper, Control			
8	W10443023	Housing, Light						

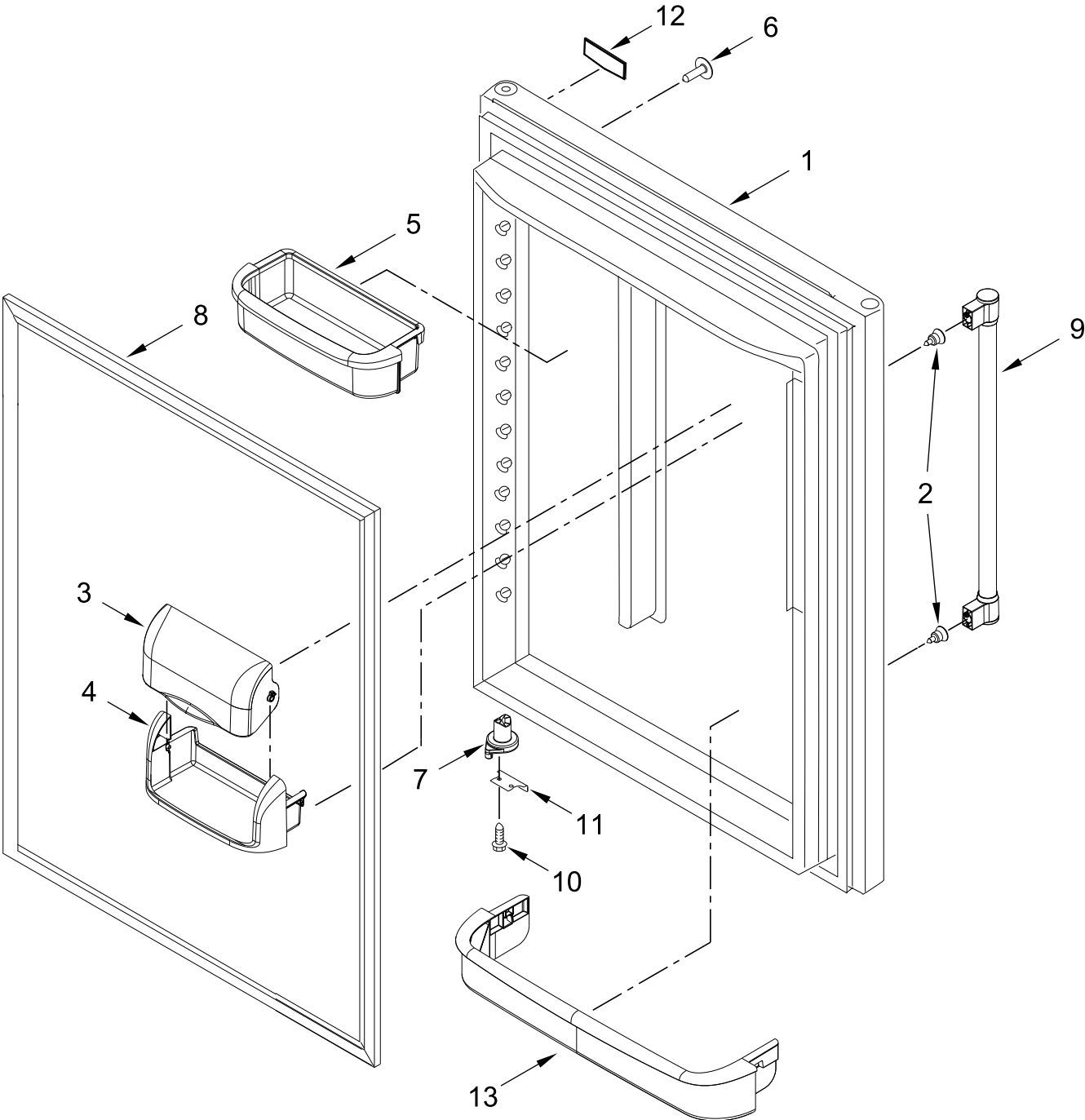
FREEZER LINER AND ICEMAKER PARTS



FREEZER LINER AND ICEMAKER PARTS

<u>Illus. No.</u>	<u>Part No.</u>	<u>Description</u>	<u>Illus. No.</u>	<u>Part No.</u>	<u>Description</u>	<u>Illus. No.</u>	<u>Part No.</u>	<u>Description</u>
1		Liner (Not A Serviceable Part)	13		Bracket, Door	23	13057901	Shroud, Evaporator Fan
2	A3189392	Gasket, Foam		W10330991	Left Hand	24	2169142	Blade, Fan
3	12002497	Gear		W10330993	Right Hand	25	W10121318	Grommet
4	W10802331	Shaft, Rack	14	W10277025	Module, Light	26	W10128551	Motor, Evaporator
5	12791409SP	Thermistor	15	13058002	Clip, Evaporator Motor	27	W10662407	Assembly, Drain Funnel
6	12815301	Cover, Thermistor	16	W10847849	Switch, Light	28	M0500703	Seal
7		Rail, Side	17	W11341630	Guide, Fill Tube	29	B8381501	Gasket, Drain
	W11309374	Left Hand	18		Cradle, Basket	30	W10157765	Diverter, Air
	W11309377	Right Hand		W10280608	Left Hand	31	W11456887	Assembly, Icemaker (Complete)
8	12990521	Screw		W10280613	Right Hand	32	W10171529N	Pan, Ice
9	W11468934	Light Module, LED	19	W11644400	Slide, Door			
10	12990501	Screw	20	A3189395	Gasket, Foam			
11	W10308415	Cover, Evaporator	21		Adapter, Slide			
12	12990101	Screw		W10284684	Left Hand			
				W10284685	Right Hand			
			22	13024803	Grille, Freezer Air			

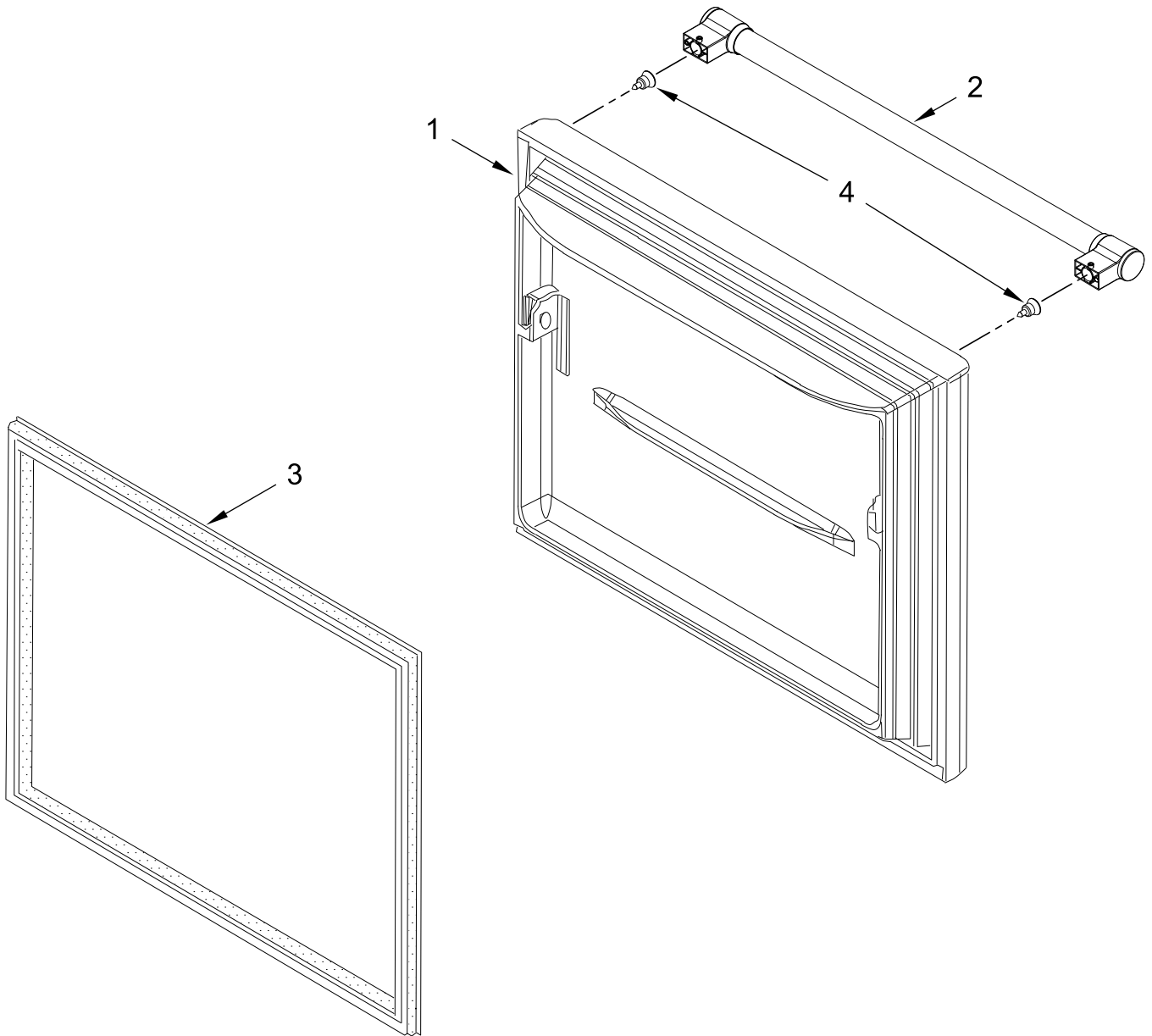
REFRIGERATOR DOOR PARTS



REFRIGERATOR DOOR PARTS

<u>Illus.</u> <u>No.</u>	<u>Part No.</u>	<u>Description</u>	<u>Illus.</u> <u>No.</u>	<u>Part No.</u>	<u>Description</u>	<u>Illus.</u> <u>No.</u>	<u>Part No.</u>	<u>Description</u>
1		Door, Refrigerator	7		Closure, Door	11		Stop, Door
	W11377159	Stainless Steel		12028505AP	Grey		12968202AP	Grey
2	W11328753	Screw	8		Gasket, Door	12	W10612926	Badge
3	12804701SP	Door, Dairy		W10443314	Grey	13	12557905	Retainer, Door
4	12369502SP	Tray, Dairy	9		Handle, Door			
5	W10371194	Bucket, Medium		W10838129	Stainless			
6		Plug, Button	10	12990504	Screw			
	12246610	Grey						

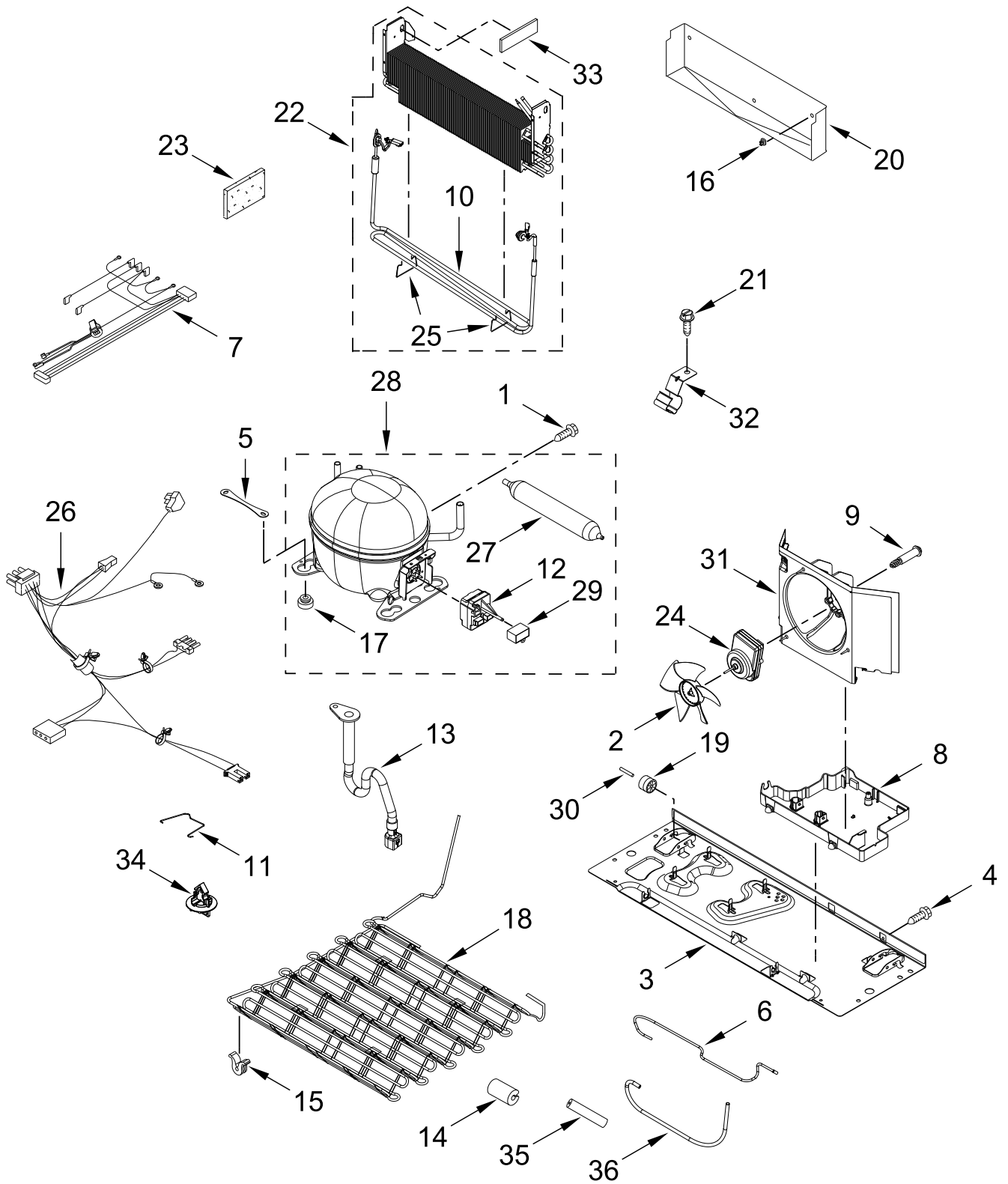
FREEZER DOOR PARTS



FREEZER DOOR PARTS

<u>Illus.</u> <u>No.</u>	<u>Part No.</u>	<u>Description</u>	<u>Illus.</u> <u>No.</u>	<u>Part No.</u>	<u>Description</u>	<u>Illus.</u> <u>No.</u>	<u>Part No.</u>	<u>Description</u>
1		Door, Freezer	2		Handle, Door	3		Gasket, Door
	W11377137	Stainless Steel		W10838129	Stainless		W10443316	Grey
						4	W11328753	Screw

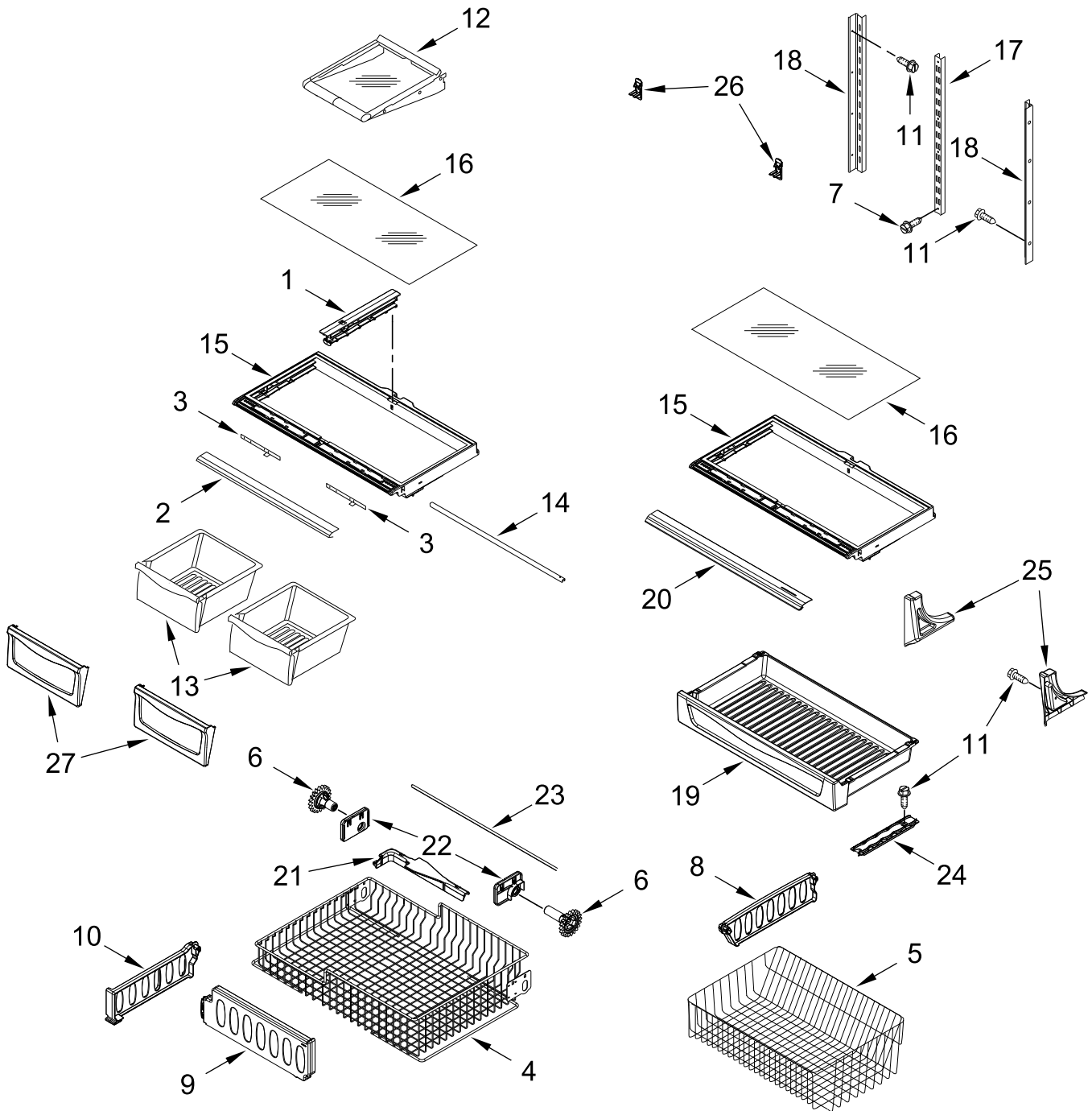
UNIT PARTS



UNIT PARTS

<u>Illus.</u> <u>No.</u>	<u>Part No.</u>	<u>Description</u>	<u>Illus.</u> <u>No.</u>	<u>Part No.</u>	<u>Description</u>	<u>Illus.</u> <u>No.</u>	<u>Part No.</u>	<u>Description</u>
1	12992301	Screw	19	12477102	Roller	28	W11332031	Compressor (Also Order the Following Lokring Parts)
2	12825803	Blade, Fan	20	W11337772	Tray, Drip			
3	W11604797	Basepan	21	12992101	Screw			
4	12990511	Screw	22	W11515436	Assembly, Evaporator and Heater		W11504416	8.5/6 NR MS 00 (Suction Tube to Compressor)
5	W10236396	Strap, Compressor			(Also Order the Following Lokring Parts)		W11504431	7/5 NR MS 00 (Discharge Tube to Compressor)
6	W11566600	Tube, Discharge		W11504423	8/2 NR AL 00 (Capillary Tube to Evaporator)		W11506621	6 NK MS 00 (Charging Tube to Compressor)
7	W11305539	Harness, Evaporator (Includes Defrost Thermostat)		W11504415	8.5/8 NR MS 00 (Suction Line to Evaporator)		W11506635	Tube, Charging (1/4 in w/ Schrader Valve)
8	W10655367	Pan, Drain	23	2169104	Insulation, Sound Deadening	29	W10350564	Capacitor
9	W10622701	Screw	24	W11505534	Motor, Condenser Fan	30	12477202	Axle, Roller
10	W11287564	Heater, Defrost	25	W11380964	Clip, Heater	31	W11463236	Shroud, Condenser Fan
11	W11379613	Strap, Bale	26	W11654034	Harness, Unit (Includes Power Cord)	32	W10281329	Clip, Drier
12	W11359985	Device, Start	27	W11353156	Drier (Also Order the Following Lokring Parts)	33	W11244122	Gasket, Foam
13	W10622099	Extension, Drain Tube		W11504445	5/4 NR MS 00 (Heat Loop to Drier)	34	W10815863	Clip, Condenser
14	2319835	Grommet, Condenser		W11504447	5/1.8 NR MS 00 (Capillary Tube to Drier)	35	W10303521	Sleeve
15	W10137529	Grommet, Condenser				36	W11566588	Tube, Suction REFRIGERANT CHARGE 49 grams (R600a)
16	10623002	Clip, Evaporator						
17	10835903	Grommet						
18	W11353138	Condenser (Also Order the Following Lokring Parts)						
	W11506623	5 NK MS 00 (Discharge Tube to Condenser)						
	W11504432	6/5 NR MS 00 (Heat Loop to Condenser)						

SHELF PARTS



SHELF PARTS

<u>Illus. No.</u>	<u>Part No.</u>	<u>Description</u>	<u>Illus. No.</u>	<u>Part No.</u>	<u>Description</u>	<u>Illus. No.</u>	<u>Part No.</u>	<u>Description</u>
1	W10671238	Rail, Center Crisper	10	W10241046	Divider, Basket (Upper)	22		Mount, Gear
2	W10231343	Trim, Crisper	11	12990513	Screw		W10348259	Left Hand
3	12530805SP	Slide, Humidity Control	12	W11358360	Shelf, Stationary		W10348260	Right Hand
4	W11115252	Basket, Freezer (Upper)	13	12530505SP	Pan, Crisper	23	W10802339	Shaft, Rack
5	W11115780	Basket, Freezer (Lower)	14	12227303WD	Brace, Crisper Cover	24	12531901	Track, Deli Drawer
6		Gear, Spur	15	W10671241	Frame, Crisper	25		Support, Pantry
	W10474716	Left Hand	16	12204822	Glass, Crisper		12531001	Left Hand
	W10474715	Right Hand	17	W10273463	Ladder, Center		12531002	Right Hand
7	W10215666	Screw	18	W10251969	Ladder, Side	26	12531802	Hook, Ladder
8	W10146440	Divider, Basket (Lower)	19	W10328327	Drawer, Pantry	27	12643702SP	Frame, Crisper Pan
9	W10311695	Divider, Basket (Upper)	20	W10656986	Trim, Pantry Front			
			21	W10149389N	Lift, Bail Arm			

OPTIONAL PARTS

<u>Illus.</u> <u>No.</u>	<u>Part No.</u>	<u>Description</u>
		TOUCH-UP PAINT
W10134625		Apollo Grey
		MISCELLANEOUS
212643		Sealer, Gum (4 Feet)
479502		Tape, Vinyl (3/4 x 108")
505587		Sealer, Mastic (1 Qt)
503695		Cork, Sealer
542638		Grease, Silicone (1/2 Oz.)
542639		Cement, Alumilastic (1 1/4 Oz.)
799833		Kit, Evaporator Repair (Aluminum Epoxy)
833938		Kit, Terminal Connector
8003RP		Kit, Water Inlet
		TORX SCREW
		WRENCH
1117510		Torx Key