

# ELECTRIC BUILT-IN CONVECTION MICROWAVE OVEN OWNER'S MANUAL

## FOUR ÉLECTRIQUE/FOUR À MICRO-ONDES ENCASTRÉ MANUEL DU PROPRIÉTAIRE

---

### Table of Contents/Table des matières

<b>BUILT-IN MICROWAVE/OVEN COMBO SAFETY</b> .....	2	<b>SÉCURITÉ DE L'ENSEMBLE FOUR ÉLECTRIQUE/FOUR À MICRO-ONDES ENCASTRÉ</b> .....	10
Built-In Microwave/Oven Combination Safety .....	2	Sécurité de l'ensemble four électrique/four à micro-ondes encastré .....	10
<b>OVEN MAINTENANCE AND CARE</b> .....	4	<b>ENTRETIEN ET RÉPARATION DU FOUR</b> .....	13
General Cleaning .....	4	Nettoyage général .....	13
<b>INSTALLATION INSTRUCTIONS</b> .....	5	<b>INSTRUCTIONS D'INSTALLATION</b> .....	14
<b>REQUIREMENTS</b> .....	5	<b>SPÉCIFICATIONS</b> .....	14
Tools and Parts .....	5	Outils et pièces .....	14
Location Requirements .....	5	Exigences d'emplacement .....	14
Electrical Requirements .....	6	Spécifications électriques .....	15
<b>INSTALLATIONS</b> .....	7	<b>INSTALLATION</b> .....	16
Spacer Kit Installation (For Microwave Ovens) .....	7	Installation de la trousse d'entretoise (pour four à micro- ondes) .....	16
Prepare Built-In Oven .....	7	Préparer le four encastré .....	17
Make Electrical Connection .....	8	Raccordement électrique .....	17
Install Microwave Oven .....	8	Installation du four à micro-ondes .....	18
Complete Installation .....	9	Achever l'installation .....	19

**IMPORTANT:**

Save for local electrical inspector's use.

**IMPORTANT :**

À conserver pour consultation par l'inspecteur local des installations électriques.

# BUILT-IN MICROWAVE/OVEN COMBINATION SAFETY

## Your safety and the safety of others are very important.

We have provided many important safety messages in this manual and on your appliance. Always read and obey all safety messages.



This is the safety alert symbol.

This symbol alerts you to potential hazards that can kill or hurt you and others.

All safety messages will follow the safety alert symbol and either the word "DANGER" or "WARNING." These words mean:

**▲ DANGER**

**You can be killed or seriously injured if you don't immediately follow instructions.**

**▲ WARNING**

**You can be killed or seriously injured if you don't follow instructions.**

All safety messages will tell you what the potential hazard is, tell you how to reduce the chance of injury, and tell you what can happen if the instructions are not followed.

## IMPORTANT SAFETY INSTRUCTIONS

**WARNING:** To reduce the risk of fire, electric shock, or injury to persons when using the appliance, follow basic precautions, including the following:

- Proper Installation - The appliance, when installed, must be electrically grounded in accordance with local codes, or in the absence of local codes, with the *National Electrical Code, ANSI/NFPA 70* or the *Canadian Electrical Code, CSA C22.1-02*. In Canada, the appliance must be electrically grounded in accordance with Canadian Electrical Code. Be sure your appliance is properly installed and grounded by a qualified technician.
- Never Use Your Appliance for Warming or Heating the Room.
- Do Not Leave Children Alone - Children should not be left alone or unattended in area where appliance is in use. They should never be allowed to sit or stand on any part of the appliance.
- Wear Proper Apparel – Loose-fitting or hanging garments should never be worn while using the appliance.
- User Servicing – Do not repair or replace any part of the appliance unless specifically recommended in the manual. All other servicing should be referred to a qualified technician.
- Storage in or on Appliance – Flammable materials should not be stored in an oven or near surface units.
- This appliance is not intended for storage.
- Do Not Use Water on Grease Fires – Smother fire or flame or use dry chemical or foam-type extinguisher.
- Do not use replacement parts that have not been recommended by the manufacturer (e.g. parts made at home using a 3D printer).
- Use Only Dry Potholders – Moist or damp potholders on hot surfaces may result in burns from steam. Do not let potholder touch hot heating elements. Do not use a towel or other bulky cloth.
- Use Care When Opening Door – Let hot air or steam escape before removing or replacing food.
- DO NOT TOUCH HEATING ELEMENTS OR INTERIOR SURFACES OF OVEN – Heating elements may be hot even though they are dark in color. Interior surfaces of an oven become hot enough to cause burns. During and after use, do not touch, or let clothing or other flammable materials contact heating elements or interior surfaces of oven until they have had sufficient time to cool. Other surfaces of the appliance may become hot enough to cause burns – among these surfaces are the coil and cooktop elements, oven vent openings and surfaces near these openings, oven doors, and windows of oven doors.
- Do Not Heat Unopened Food Containers – Build-up of pressure may cause container to burst and result in injury.
- Keep Oven Vent Ducts Unobstructed.
- Placement of Oven Racks – Always place oven racks in desired location while oven is cool. If rack must be moved while oven is hot, do not let potholder contact hot heating element in oven.

### For self-cleaning ovens:

- **CAUTION: DO NOT LEAVE FOOD OR COOKING UTENSILS, ETC., IN OVEN DURING THE PYROLYTIC SELF-CLEANING MODE OF OPERATION."**
- Do Not Clean Door Gasket – The door gasket is essential for a good seal. Care should be taken not to rub, damage, or move the gasket.
- Do not use a protective coating to line the oven and do not use commercial oven cleaner unless Certified for use in a self-cleaning oven.
- Clean Only Parts Listed.

**SAVE THESE INSTRUCTIONS**

## IMPORTANT SAFETY INSTRUCTIONS

When using electrical appliances basic safety precautions should be followed, including the following:

**WARNING:** To reduce the risk of burns, electric shock, fire, injury to persons, or exposure to excessive microwave energy:

- Before Self-Cleaning the Oven – Remove broiler pan and other utensils, and wipe off all excessive spillage.

### For smart enabled ranges and ovens:

- Remote Operation – This appliance is configurable to allow remote operation at any time. Do not store any flammable materials or temperature sensitive items inside, on top or near surface units of the appliance.
- Read all instructions before using the appliance.
- Read and follow the specific "PRECAUTIONS TO AVOID POSSIBLE EXPOSURE TO EXCESSIVE MICROWAVE ENERGY" found in this manual.
- This appliance must be grounded. Connect only to properly grounded outlet. See "GROUNDING INSTRUCTIONS" found in this section.
- Install or locate this appliance only in accordance with the provided Installation Instructions.
- Some products such as whole eggs and sealed containers - for example, closed glass jars - are able to explode and should not be heated in this oven.
- Use this appliance only for its intended use as described in the manual. Do not use corrosive chemicals or vapors in this appliance. This type of oven is specifically designed to heat, cook, or dry food. It is not designed for industrial or laboratory use.
- As with any appliance, close supervision is necessary when used by children.
- Do not operate this appliance if it has a damaged cord or plug, if it is not working properly, or if it has been damaged or dropped.
- This appliance should be serviced only by qualified service personnel. Contact nearest authorized service facility for examination, repair, or adjustment.
- Do not cover or block any openings on the appliance.
- Do not store this appliance outdoors. Do not use this product near water – for example, near a kitchen sink, in a wet basement, near a swimming pool, or similar locations.
- Do not immerse cord or plug in water.
- Keep cord away from heated surfaces.
- Do not let cord hang over edge of table or counter.

- Do not use replacement parts that have not been recommended by the manufacturer (e.g. parts made at home using a 3D printer).
- See door surface cleaning instructions in the Microwave Oven and Maintenance Care section.
- To reduce the risk of fire in the oven cavity:
  - Do not overcook food. Carefully attend appliance when paper, plastic, or other combustible materials are placed inside the oven to facilitate cooking.
  - Remove wire twist-ties from paper or plastic bags before placing bag in oven.
  - If materials inside the oven ignite, keep oven door closed, turn oven off, and disconnect the power cord, or shut off power at the fuse or circuit breaker panel.
  - Do not use the cavity for storage purposes. Do not leave paper products, cooking utensils, or food in the cavity when not in use.
- Liquids, such as water, coffee, or tea are able to be overheated beyond the boiling point without appearing to be boiling. Visible bubbling or boiling when the container is removed from the microwave oven is not always present. THIS COULD RESULT IN VERY HOT LIQUIDS SUDDENLY BOILING OVER WHEN THE CONTAINER IS DISTURBED OR A UTENSIL IS INSERTED INTO THE LIQUID.

### For microwave ovens not intended for use above another heating appliance:

- Do not operate any heating or cooking appliance beneath this appliance.
- Do not mount unit over or near any portion of a heating or cooking appliance.
- Do not mount over a sink.
- Do not store anything directly on top of the appliance surface when the appliance is in operation.

## SAVE THESE INSTRUCTIONS

## PRECAUTIONS TO AVOID POSSIBLE EXPOSURE TO EXCESSIVE MICROWAVE ENERGY

- (a) Do not attempt to operate this oven with the door open since open-door operation can result in harmful exposure to microwave energy. It is important not to defeat or tamper with the safety interlocks.
- (b) Do not place any object between the oven front face and the door or allow soil or cleaner residue to accumulate on sealing surfaces.
- (c) Do not operate the oven if it is damaged. It is particularly important that the oven door close properly and that there is no damage to the:
  - (1) Door (bent),
  - (2) Hinges and latches (broken or loosened),
  - (3) Door seals and sealing surfaces
- (d) The oven should not be adjusted or repaired by anyone except properly qualified service personnel.

# OVEN MAINTENANCE AND CARE

## General Cleaning

**IMPORTANT:** Before cleaning, make sure all controls are off and the oven is cool. Always follow label instructions on cleaning products.

Soap, water and a soft cloth or sponge are suggested first unless otherwise noted.

### STAINLESS STEEL AND BLACK STAINLESS STEEL (on some models)

**NOTE:** To avoid damage to stainless steel surfaces, do not use soap-filled scouring pads, abrasive cleaners, Cooktop Cleaner, steel-wool pads, gritty washcloths or abrasive paper towels. Damage may occur to stainless steel surfaces, even with one-time or limited use.

Rub in direction of grain to avoid damaging.

#### Cleaning Method:

- Affresh®† Stainless Steel Cleaner Part Number W10355016 (not included) or affresh® Stainless Steel Cleaning Wipes Part Number W10355049 (not included):

See the Quick Start Guide for ordering information.

- Vinegar for hard water spots.

### MICROWAVE OVEN DOOR EXTERIOR

#### Cleaning Method:

- Glass cleaner and a soft cloth or sponge: Apply glass cleaner to soft cloth or sponge, not directly on panel.
- Affresh® Kitchen Appliance Cleaner Part Number W10355010 (not included): See “Online Ordering Information” section from Quick Start Guide to order.

### MICROWAVE OVEN CAVITY

To avoid damage to microwave oven cavity, do not use soap-filled scouring pads, abrasive cleaners, steel-wool pads, gritty washcloths, or some paper towels.

On stainless steel models, rub in direction of grain to avoid damaging.

The area where the oven door and frame touch when closed should be kept clean.

#### Cleaning Method:

##### Average Soil

- Mild, nonabrasive soaps and detergents:  
Rinse with clean water and dry with soft, lint-free cloth.

##### Heavy Soil

- Mild, nonabrasive soaps and detergents:  
Heat 1 cup (250 mL) of water for 2 to 5 minutes in oven. Steam will soften soil. Rinse with clean water and dry with soft, lint-free cloth.

##### Odors

- Lemon juice or vinegar  
Heat 1 cup (250 mL) of water with 1 tablespoon (15 mL) of either lemon juice or vinegar for 2 to 5 minutes in oven.

### MICROWAVE OVEN CEILING

The broil element does not need cleaning since the intense heat will burn off any food spatters. However, the ceiling above the broil element may need regular cleaning.

#### Cleaning Method:

- Warm water, mild detergent, and a sponge.

#### To Clean:

1. Push the fastening thread gently towards the back of the ceiling and then lower it to release the broil element.



2. Lower the front of the broil element to access the ceiling for cleaning.
3. Raise broil element back up and return the fastening thread back to its original location.



Always return the broil element to the cooking position after cleaning.

### TURNTABLE

Replace turntable immediately after cleaning. Do not operate the microwave oven without the turntable in place.

#### Cleaning Method:

- Mild cleanser and scouring pad
- Dishwasher

### RACK

- Steel-wool pad
- Dishwasher

### CRISPER PAN

To avoid damage to browning pan, do not immerse or rinse with water while the crisper pan is hot. Do not use steel-wool pads.

#### Cleaning Method:

- Warm water, mild detergent, and a sponge. Heavily soiled areas can be cleaned with a scouring pad and mild cleanser.
- Dishwasher

### STEAMER

- Dishwasher

### BAKING TRAY

- Dishwasher

### TURNTABLE SUPPORT AND ROLLERS, HUB, CRISPER PAN HANDLE

- Dishwasher

†Affresh® is a registered trademark of Whirlpool, U.S.A.

# INSTALLATION INSTRUCTIONS

## REQUIREMENTS

### Tools and Parts

#### Tools Needed

- Phillips screwdriver
- Measuring tape
- Hand or electric drill (for wall cabinet installations)
- 1" (2.5 cm) drill bit (for wall cabinet installations)
- 1/8" (3 mm) drill bit (for wall cabinet installations)
- Level
- Flat-blade screwdriver

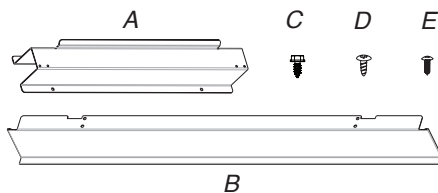
#### Parts Needed

- UL-listed or CSA-approved conduit connector
- UL-listed wire connectors

#### Parts Needed – Flush Installation

To order, see the “Online Ordering Information” section of the Quick Start Guide.

#### Parts Supplied



- A. Spacer bars (2)
- B. Bottom vent (1)
- C. 3/8" (9.5 mm) hex-head washer screws (4)
- D. 3/4" (1.9 cm) pan-head screws (4)
- E. 3/4" (1.9 cm) truss-head screws (2)

Check local codes. Check existing electrical supply. See “Electrical Requirements.”

It is recommended that all electrical connections be made by a licensed, qualified electrical installer.

**NOTE:** Be sure to purchase only whirlpool factory-certified parts and accessories for your appliance. Your installation may require additional parts. To order, refer to the contact information referenced in your Quick Start Guide.

### Location Requirements

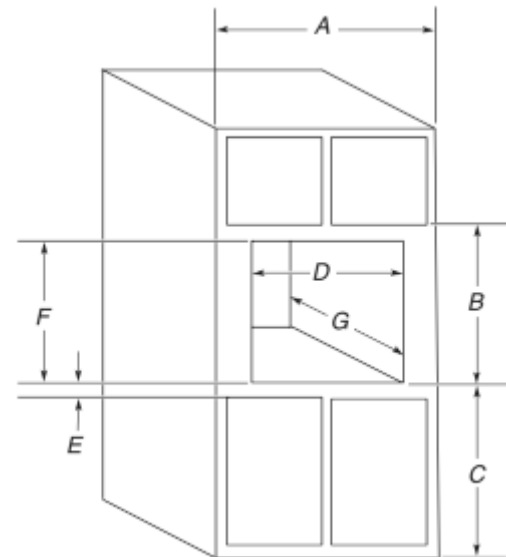
**IMPORTANT:** Observe all governing codes and ordinances.

- Cabinet opening dimensions that are shown must be used. Given dimensions provide minimum clearance with oven.
- Recessed installation area must provide complete enclosure around the recessed portion of the oven.
- Grounded electrical supply is required. See “Electrical Requirements” section.
- Electrical supply junction box should be located 3" (7.6 cm) maximum below the support surface when the microwave oven is installed in a wall cabinet. A 1" (2.5 cm) minimum diameter hole should have been drilled in the left rear corner of the support surface to pass the appliance cable through to the junction box.
- For installation above a single built-in oven, the junction box must be located inside upper cabinet.

- If you are installing the junction box on rear wall behind the microwave oven, the junction box must be recessed and located in the upper or lower right or left corner of the cabinet; otherwise, the microwave oven will not fit into the cabinet opening.
- Microwave oven support surface must be solid, level and flush with bottom of cabinet cutout. Floor must be able to support a weight of 90 lbs (41.0 kg).

**IMPORTANT:** To avoid damage to your cabinets, check with your builder or cabinet supplier to make sure that the materials used will not discolor, delaminate or sustain other damage. This oven has been designed in accordance with the requirements of UL and CSA International and complies with the maximum allowable wood cabinet temperatures of 194°F (90°C).

### Cabinet Dimensions



#### 27" (68.6 cm) models

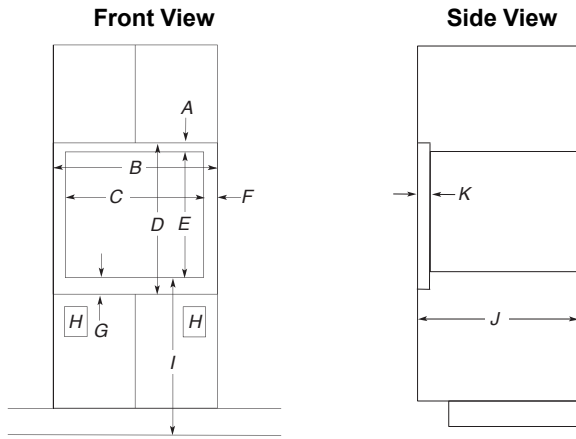
- A. 27" (68.6 cm) minimum cabinet width
- B. 18<sup>5</sup>/<sub>8</sub>" (47.3 cm) from bottom of cutout to bottom of upper cabinet door
- C. 40" (101.6 cm) bottom of cutout to floor (recommended)
- D. 25<sup>1</sup>/<sub>2</sub>" (64.8 cm) cutout width
- E. 1<sup>1</sup>/<sub>2</sub>" (3.8 cm) minimum bottom of cutout to top of cabinet door
- F. 17<sup>5</sup>/<sub>8</sub>" (44.7 cm) recommended cutout height (will fit cutout height from 17<sup>3</sup>/<sub>8</sub>" [44.1 cm] to 17<sup>3</sup>/<sub>4</sub>" [45.1 cm])
- G. 21<sup>7</sup>/<sub>8</sub>" (55.5 cm) min. cutout depth

#### 30" (76.2 cm) models

- A. 30" (76.2 cm) minimum cabinet width
- B. 18<sup>5</sup>/<sub>8</sub>" (47.3 cm) from bottom of cutout to bottom of upper cabinet door
- C. 40" (101.6 cm) bottom of cutout to floor (recommended)
- D. 28<sup>1</sup>/<sub>2</sub>" (72.4 cm) cutout width
- E. 1<sup>1</sup>/<sub>2</sub>" (3.8 cm) minimum bottom of cutout to top of cabinet door
- F. 17<sup>5</sup>/<sub>8</sub>" (44.7 cm) recommended cutout height (will fit cutout height from 17<sup>3</sup>/<sub>8</sub>" [44.1 cm] to 17<sup>3</sup>/<sub>4</sub>" [45.1 cm])
- G. 21<sup>7</sup>/<sub>8</sub>" (55.5 cm) min. cutout depth

### Cabinet Dimensions - Flush Installation

A 23<sup>1</sup>/<sub>4</sub>" (59.0 cm) minimum cutout depth is required. These dimensions will result in a 1/4" (6 mm) reveal on the top, a 1/4" (6 mm) reveal on the sides, and a 1/8" (3 mm) reveal on the bottom of the microwave oven. The front face of the cleats and platform will be visible and should be treated as a finished surface.



### 27" (68.6 cm) Models

- A. 5/8" (16 mm) top cleat\*
- B. 27 1/4" (69.2 cm) minimum width of flush inset cutout
- C. 25 1/2" (64.8 cm) minimum width of opening
- D. 19" (48.3 cm) minimum height of flush inset cutout
- E. 17 5/8" (44.7 cm) recommended cutout height
- F. 11/16" (1.7 cm) side cleat\*
- G. 3/4" (1.9 cm) bottom cleat\*
- H. Recommended junction box location
- I. 40" (101.6 cm) bottom of cutout to floor (recommended)

### 30" (76.2 cm) Models

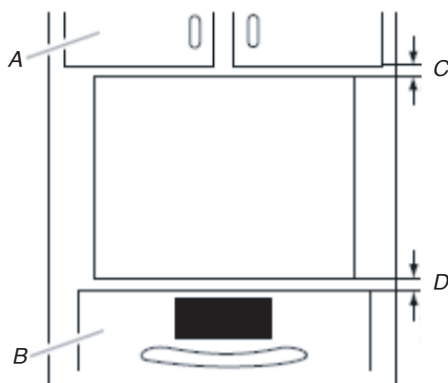
- A. 5/8" (16 mm) top cleat\*
- B. 30 1/4" (76.8 cm) minimum width of flush inset cutout
- C. 28 1/2" (72.4 cm) minimum width of opening
- D. 19" (48.3 cm) minimum height of flush inset cutout
- E. 17 5/8" (44.7 cm) recommended cutout height
- F. 11/16" (1.7 cm) side cleat\*
- G. 3/4" (1.9 cm) bottom cleat\*
- H. Recommended junction box location
- I. 40" (101.6 cm) bottom of cutout to floor (recommended)

\*Cleats must be recessed 13/8" (3.5 cm) from the front of the cabinet.

### Minimum Installation Clearances

For proper installation, the following minimum clearances must exist above and below the cabinet opening.

#### Installation Above Single Built-In Oven



- A. Upper cabinet
- B. Lower single oven
- C. 1" (2.5 cm)
- D. 1" (2.5 cm) from top of oven

Approved models: KMBP100E and KMBP107E

## Electrical Requirements

### GROUNDING INSTRUCTIONS

#### For a grounded, cord-connected appliance:

This appliance must be grounded. In the event of a malfunction or breakdown, grounding will reduce the risk of electric shock by providing a path of least resistance for electric current. This appliance is equipped with a cord having an equipment-grounding conductor and a grounding plug. The plug must be plugged into an appropriate outlet that is properly installed and grounded in accordance with all local codes and ordinances.

**WARNING:** Improper connection of the equipment-grounding conductor can result in a risk of electric shock. Check with a qualified electrician or serviceman if you are in doubt as to whether the appliance is properly grounded. Do not modify the plug provided with the appliance: if it will not fit the outlet, have a proper outlet installed by a qualified electrician.

### SAVE THESE INSTRUCTIONS

If codes permit and a separate ground wire is used, it is recommended that a qualified electrical installer determine that the ground path and the wire gauge are in accordance with local codes.

Check with a qualified electrical installer if you are not sure the oven is properly grounded.

This oven must be connected to a grounded metal, permanent wiring system.

Be sure that the electrical connection and wire size are adequate and in conformance with the National Electrical Code, ANSI/NFPA 70-latest edition or CSA Standards C22.1-94, Canadian Electrical Code, Part 1 and C22.2 No. O-M91-latest edition, and all local codes and ordinances.

A copy of the above code standards can be obtained from:

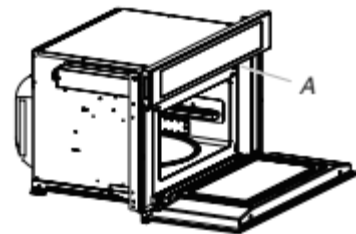
National Fire Protection Association  
1 Batterymarch Park  
Quincy, MA 02169-7471

CSA International  
8501 East Pleasant Valley Road  
Cleveland, OH 44131-5575

### Electrical Connection

To properly install your microwave oven, you must determine the type of electrical connection you will be using and follow the instructions provided for it here.

- Microwave oven must be connected to the proper electrical voltage and frequency as specified on the model/serial/rating plate. The model/serial/rating plate is located underneath the control panel along the oven vent.



A. Model/serial/rating plate

- The microwave oven rated 120/240 V, 20 A, has 4 wires (L1, L2, N, and G) in the flex conduit, and should be connected to a 20 A maximum-rated circuit, overcurrent protected on both the L1 and L2 circuits.

- A time-delay fuse or circuit breaker is recommended.
- Flexible cable from the microwave oven should be connected directly to the junction box.
- Do not cut the conduit. The length of conduit provided is for serviceability of the microwave oven.
- A UL listed or CSA approved conduit connector must be provided.
- If the house has aluminum wiring, follow the procedure below:

Connect the aluminum wiring using special connectors and/or tools designed and UL listed for joining copper to aluminum.

Follow the electrical connector manufacturer's recommended procedure. Aluminum/copper connection must conform with local codes and industry accepted wiring practices.

For power requirements, refer to the following table:

Voltage	Microwave With Convection Oven
240 VAC	19.9 A/3250 W
208 VAC	19.9 A/3250 W

## INSTALLATIONS

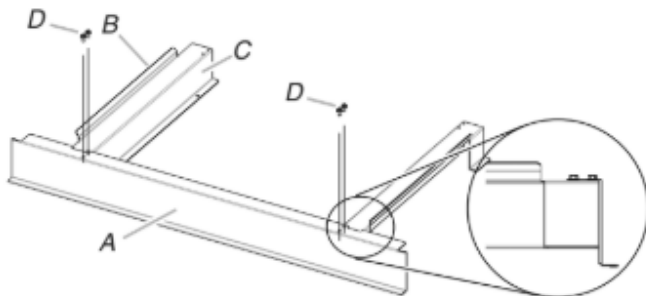
### Spacer Kit Installation (For Microwave Ovens)

**NOTE:** The microwave oven spacer kit allows the microwave oven to be installed in an  $17\frac{3}{8}$ " -  $17\frac{3}{4}$ " (44.1 cm to 45.1 cm) maximum cutout height.

#### Assemble Spacer Kit

1. Attach the bottom vent to spacer bars using four  $\frac{3}{8}$ " (9.5 mm) hex-head washer screws.

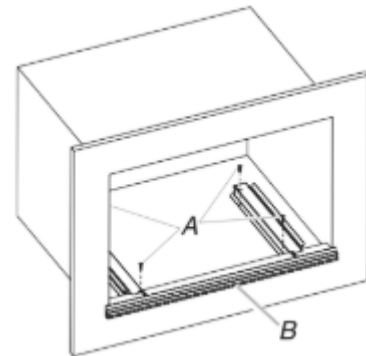
**NOTE:** Spacer bar flanges should be facing out.



- A. Bottom vent
- B. Spacer bar flange
- C. Spacer bars
- D.  $\frac{3}{8}$ " (9.5 mm) hex-head washer screws

### Install Spacer Kit

1. Center assembled microwave oven spacer kit against lower front edge of the cabinet cutout.
2. Using an  $\frac{1}{8}$ " (3.2 mm) drill bit, drill through the mounting holes in the spacer bars to create pilot holes.
3. Attach the assembled spacer kit to the cabinet using four  $\frac{3}{4}$ " (1.9 cm) (pan-head screws). Do not overtighten screws.



- A.  $\frac{3}{4}$ " (1.9 cm) flat-head screws
- B. Spacer kit assembly

### Prepare Built-In Oven

1. Decide on the final location for the oven. Locate existing wiring to avoid drilling into or severing wiring during installation.

## ⚠ WARNING

### Excessive Weight Hazard

**Use two or more people to move and install or uninstall appliance.**

**Failure to do so can result in back or other injury.**

2. To avoid floor damage, set the Microwave Oven or Oven onto cardboard prior to installation. Do not use handle or any portion of the front frame for lifting.
3. Remember to remove bottom vent from the foam packing on top of the Oven.
4. Remove the shipping materials and tape from the Microwave Oven or Oven.
5. Remove the hardware package from inside the bag containing literature.
6. Remove and set aside racks and other parts from inside the Microwave Oven or Oven.
7. Move Microwave Oven or Oven and cardboard close to the oven's final location.

# Make Electrical Connection

## ⚠ WARNING



### Electrical Shock Hazard

**Disconnect power before servicing.**

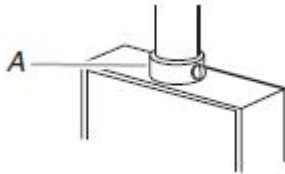
**Use 12 gauge copper wire.**

**Electrically ground oven.**

**Failure to follow these instructions can result in death, fire, or electrical shock.**

The microwave oven is manufactured with a neutral (white) power supply wire and a cabinet-connected green (or bare) ground wire.

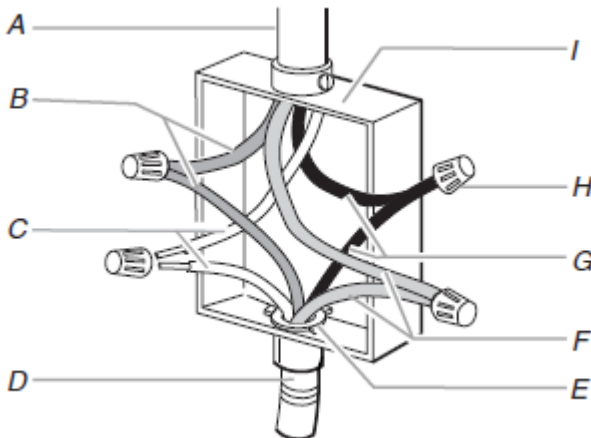
1. Disconnect power.
2. Feed the flexible conduit from the oven through the opening in the cabinet.
3. Remove junction box cover, if it is present.
4. Install a UL listed or CSA approved conduit connector to the junction box.



A. UL listed or CSA Approved conduit connector

5. Route the flexible conduit from the oven to the junction box through a UL listed or CSA approved conduit connector.
6. Tighten screws on conduit connector.
7. Complete electrical connection.

### 4-Wire Cable with Ground from Home Power Supply to Microwave Oven Cable with 4 Wires

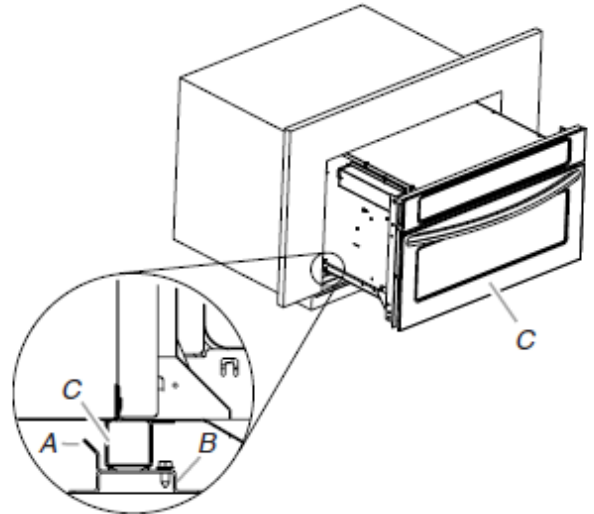


- |  |                             |
|--|-----------------------------|
| A. Cable from home power supply                | F. Red wires                |
| B. Green (or bare) wires                       | G. Black wires              |
| C. White wires                                 | H. UL listed wire connector |
| D. 4-wire cable from microwave oven            | I. Junction box             |
| E. UL listed or CSA Approved conduit connector |                             |

1. Connect the 2 black wires (G) together using a UL listed wire connector.
2. Connect the 2 white wires (C) together using a UL listed wire connector.
3. Connect the 2 red wires (F) together using a UL listed wire connector.
4. Connect the 2 green (or bare) wires (B) together using a UL listed wire connector.
5. Install junction box cover.

## Install Microwave Oven

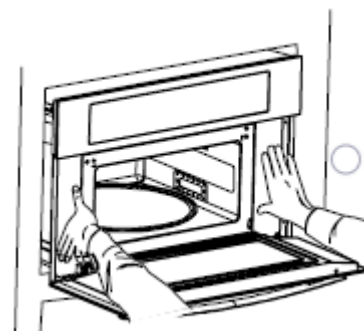
1. Using 2 or more people, lift the microwave oven partially into the cabinet cutout. If a spacer kit has been installed, lift the microwave oven over it and position the microwave oven between the guide strips.



- A. Spacer bar flange
- B. Spacer bar
- C. Microwave oven

2. Push against the front frame of the microwave oven to insert oven into cabinet. Push microwave oven completely into cabinet and center in cabinet cutout.

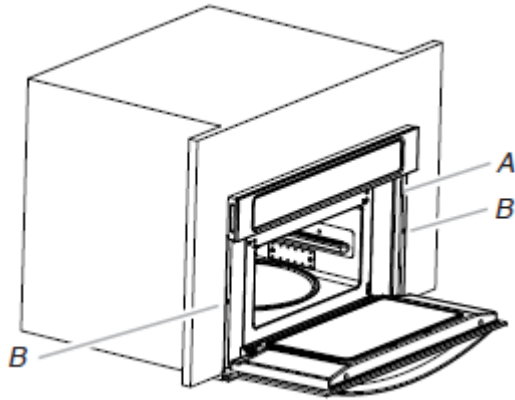
**NOTE:** Open microwave oven door and push against seal area of microwave oven front frame when pushing microwave oven into cabinet. Do not push against outside edges.



3. Using an 1/8" (3.2 mm) drill bit, predrill pilot holes through the mounting rails on each side of the microwave oven.



- Securely fasten microwave oven to cabinet using two 3/4" pan-head screws provided. Insert the screws through holes in mounting rails. Do not overtighten screws.



A. Mounting rail  
B. Truss-head screws

- Replace turntable roller, turntable, and support hub.
- Reconnect power.
- Display panel will light briefly and the clock should appear in the display.
- If display panel does not light, please reference the "Online Ordering Information" section of the Quick Start Guide or contact the dealer from whom you purchased your microwave oven.

## Complete Installation

- Check that all parts are now installed. If there is an extra part, go back through the steps to see which step was skipped.
- Check that you have all of your tools.
- Dispose of/recycle all packaging materials.

### Check Operation of Microwave Oven

- Fill a microwave-safe container with 1 cup (250 mL) of water and place container on the turntable inside the microwave oven. Close door firmly.
- Touch COOK.
- Set power level, temperature, and cook time to "2:00" minutes.
- Press START.

#### If microwave oven does not operate, check the following:

- Household fuse is intact and tight or circuit breaker has not tripped.
- Electrical supply is connected.
- See the online "Troubleshooting".

When the display reads "1:00" minute, open the microwave oven door. The microwave oven should stop cooking. Close door firmly. The interior microwave oven light should turn off.

- Touch START to resume a preset cycle. The microwave oven should begin cooking and the microwave oven interior light should be ON.

Let microwave oven complete cooking time. Tones will sound at the end of the cooking time and the microwave oven will shut off.

- Open microwave oven door and slowly remove container. Water in container should be hot.
- To set the clock and other microwave oven functions, refer to the Quick Start Guide.

#### If you need Assistance or Service:

Please reference the "Online Ordering Information" section of the Quick Start Guide or contact the dealer from whom you purchased your built-in microwave oven.

# SÉCURITÉ DE L'ENSEMBLE FOUR ÉLECTRIQUE/FOUR À MICRO-ONDES ENCASTRÉ

## Votre sécurité et celle des autres sont très importantes.

Nous donnons de nombreux messages de sécurité importants dans ce manuel et sur votre appareil. Assurez-vous de toujours lire tous les messages de sécurité et de vous y conformer.



Voici le symbole d'alerte de sécurité.

Ce symbole d'alerte de sécurité vous signale les dangers potentiels de décès et de blessures graves.

Tous les messages de sécurité suivront le symbole d'alerte de sécurité et le mot « DANGER » ou « AVERTISSEMENT ». Ces mots signifient :

**▲ DANGER**

**Risque possible de décès ou de blessure grave si vous ne suivez pas immédiatement les instructions.**

**▲ AVERTISSEMENT**

**Risque possible de décès ou de blessure grave si vous ne suivez pas les instructions.**

Tous les messages de sécurité vous diront quel est le danger potentiel, comment réduire le risque de blessure et ce qui peut se produire en cas de non-respect des instructions.

## INSTRUCTIONS IMPORTANTES DE SÉCURITÉ

**AVERTISSEMENT :** Afin de réduire le risque d'incendie, de décharge électrique ou de blessures lors de l'utilisation de l'appareil, il convient d'observer certaines précautions fondamentales, notamment :

- Bonne installation – l'appareil, lorsqu'il est installé, doit être relié à la terre conformément aux codes locaux, ou en l'absence de codes locaux, au *National Electrical Code*, *ANSI/NFPA 70* ou au *Code canadien de l'électricité CSA C22.1-02*. Au Canada, l'appareil doit être relié à la terre en respectant le Code canadien de l'électricité. S'assurer que l'appareil est bien installé et que la mise à la terre est réalisée par un technicien qualifié.
- Ne jamais utiliser l'appareil pour chauffer ou réchauffer la pièce.
- Ne pas laisser les enfants seuls – Les enfants ne doivent pas être laissés seuls ou sans surveillance dans la zone où l'appareil est utilisé. Ils ne doivent jamais être autorisés à s'asseoir ou à se tenir debout sur une partie quelconque de l'appareil.
- Porter des vêtements adaptés – Les vêtements pendants ou non ajustés ne doivent jamais être portés lorsqu'on utilise l'appareil.
- Entretien par l'utilisateur – Ne pas réparer ou remplacer une quelconque pièce de l'appareil sans recommandation spécifique du manuel. Toutes les autres tâches d'entretien doivent être effectuées par un technicien qualifié.
- Entreposage dans ou sur l'appareil – Les matières inflammables ne doivent pas être entreposées dans un four ou près de la surface de la table.
- Cet appareil n'est pas conçu pour servir d'espace de rangement.
- Ne pas utiliser d'eau sur les feux de friture – Éteindre le feu ou la flamme ou utiliser un extincteur avec agent chimique sec ou mousseux.
- Ne pas utiliser de pièces de remplacement qui n'ont pas été recommandées par le fabricant (c.-à-d., pièces fabriquées à la maison à l'aide d'une imprimante 3D).
- Utiliser uniquement des maniques sèches – Les maniques humides ou trempées sur les surfaces chaudes peuvent provoquer des brûlures dues à la vapeur. Ne pas laisser les maniques toucher des éléments chauffants et chauds. Ne pas utiliser un chiffon ou tout autre tissu encombrant.
- Ouvrir la porte lentement – Laisser la chaleur ou la vapeur s'échapper avant de retirer ou de remettre en place un plat.
- NE PAS TOUCHER LES ÉLÉMENTS CHAUFFANTS OU LES SURFACES INTÉRIEURES DU FOUR – Les éléments chauffants peuvent être chauds même s'ils sont de couleur foncée. Les surfaces intérieures du four peuvent être suffisamment chaudes pour provoquer des brûlures. Pendant et après l'utilisation, ne pas toucher ou laisser des vêtements ou d'autres matériaux inflammables en contact avec les éléments chauffants ou les surfaces intérieures tant qu'ils n'ont pas suffisamment refroidi. Les autres surfaces de l'appareil peuvent devenir suffisamment chaudes pour causer des brûlures – les serpentins et éléments de cuissons, les ouvertures de ventilation et les surfaces autour de ces ouvertures, les portes du four et les hublots de portes font partie de ces surfaces.
- Ne pas faire chauffer un contenant qui n'a pas été ouvert – L'accumulation de pression pourrait faire éclater le contenant et causer des blessures.
- Garder dégagés les conduits de ventilation du four.

**CONSERVER CES INSTRUCTIONS**

# INSTRUCTIONS IMPORTANTES DE SÉCURITÉ

Lors de l'utilisation d'appareils électriques, il faut toujours observer certaines précautions élémentaires de sécurité, y compris les suivantes :

**AVERTISSEMENT :** Pour réduire les risques de brûlure, de décharges électriques, d'incendie, de blessures ou d'exposition à un rayonnement excessif de micro-ondes :

- Position des grilles du four – toujours placer les grilles à la position souhaitée lorsque le four est froid. Si une grille doit être déplacée pendant que le four est chaud, ne pas laisser la poignée entrer en contact avec l'élément chaud du four.
- Pour les fours autonettoyants :**
- **AVERTISSEMENT :** NE PAS LAISSER D'ALIMENTS, D'USTENSILES DE CUISSON, ETC. DANS LE FOUR PENDANT L'UTILISATION DU MODE DE NETTOYAGE PYROLYTIC.
  - Ne pas nettoyer le joint de la porte – Le joint de la porte est essentiel pour une bonne étanchéité. Faire attention à ne pas frotter, endommager ou déplacer le joint.
  - Ne pas utiliser de revêtement de protection pour recouvrir le four et ne pas utiliser de nettoyant commercial pour four, sauf s'il est certifié pour une utilisation dans les fours autonettoyants.
  - Ne nettoyer que les pièces indiquées.
  - Avant d'effectuer l'autonettoyage du four – Retirer la lèchefrite et les autres ustensiles, puis essuyer tous les excès de déversement.
- Pour les cuisinières et fours intelligents :**
- Utilisation à distance – cet appareil peut être configuré pour permettre l'utilisation à distance en tout temps. Ne pas ranger de matériaux inflammables ou sensibles à la température sur le dessus ou près de la surface de l'appareil.
  - Lire toutes les instructions avant d'utiliser l'appareil.
  - Lire et respecter les « PRÉCAUTIONS POUR ÉVITER LES EXPOSITIONS POSSIBLES À UN RAYONNEMENT EXCESSIF AUX MICRO-ONDES » spécifiques de ce manuel.
  - Cet appareil doit être relié à la terre. Brancher uniquement dans une prise reliée à la terre. Consulter le point « INSTRUCTIONS DE LIAISON À LA TERRE » de cette section.
  - Installer ou placer cet appareil en respectant toutes les instructions d'installation fournies.
  - Certains produits comme les œufs entiers et les contenants scellés, comme un pot en verre fermé, peuvent exploser et ne devraient pas être chauffés dans ce four.
  - Utiliser cet appareil uniquement dans le cadre de l'usage auquel il se destine comme décrit dans le manuel. Ne pas utiliser de produits chimiques corrosifs ou dégageant des vapeurs dans cet appareil. Ce type de four est spécialement conçu pour chauffer, cuire ou sécher des aliments. Il n'est pas conçu pour une utilisation à des fins industrielles ou en laboratoires.
  - Comme pour tout appareil, une bonne supervision est nécessaire lorsqu'un enfant utilise l'appareil.
  - Ne pas utiliser ce produit si la fiche ou le cordon est endommagé, s'il ne fonctionne pas correctement ou s'il a subi une chute ou a été endommagé de quelque façon que ce soit.
- Seule une personne qualifiée est habilitée à effectuer une intervention d'entretien sur cet appareil. Communiquer avec l'entreprise de service autorisé la plus près de chez vous pour la vérification, la réparation et le réglage.
  - Ne pas couvrir ou obstruer les ouvertures de l'appareil.
  - Ne pas ranger l'appareil à l'extérieur. Ne pas utiliser cet appareil près d'une source d'eau comme un évier de cuisine, un sous-sol humide, une piscine ou tout autre emplacement semblable.
  - Ne pas immerger le cordon ou la fiche dans l'eau.
  - Maintenir le cordon à l'écart de toute surface chaude.
  - Ne pas laisser le cordon pendre par-dessus le bord d'une table ou d'un comptoir.
  - Ne pas utiliser de pièces de remplacement qui n'ont pas été recommandées par le fabricant (c.-à-d., pièces fabriquées à la maison à l'aide d'une imprimante 3D).
  - Voir les instructions de nettoyage de la surface de la porte dans la section « Entretien et réparation du four à micro-ondes ».
  - Pour réduire les risques d'incendie dans la cavité du four :
    - Ne pas trop faire cuire les aliments. Surveiller attentivement l'appareil lorsque du papier, du plastique ou d'autres matériaux combustibles sont placés à l'intérieur pour faciliter la cuisson.
    - Retirer les attaches des sacs en papier ou en plastique avant de placer le sac dans le four.
    - Si des matériaux prennent en feu dans le four, garder la porte du four fermée, éteindre le four et débrancher le cordon d'alimentation ou fermer l'alimentation au fusible ou disjoncteur.
    - Ne pas utiliser la cavité comme remisage. Ne pas laisser de produits en papier, d'ustensiles de cuisson ou d'aliments dans la cavité lorsque l'appareil n'est pas utilisé.
  - Les liquides, comme l'eau, le café ou le thé, peuvent être chauffés au-delà du point d'ébullition sans pour autant avoir l'air de bouillir. Des bulles ou une ébullition lorsque le contenant est sorti du four à micro-ondes ne sont pas toujours visibles. LE CONTENU LIQUIDE TRÈS CHAUD PEUT AINSI SOUDAINEMENT BOUILLIR LORSQUE LE CONTENANT EST DÉPLACÉ OU SI UN USTENSILE EST INSÉRÉ DANS LE LIQUIDE.
- Pour les fours à micro-ondes qui ne sont pas conçus pour être utilisés au-dessus d'un autre appareil qui produit de la chaleur :**
- Ne pas utiliser un appareil de chauffage ou de cuisson sous cet appareil.
  - Ne pas fixer l'appareil au-dessus ou près d'un appareil de chauffage ou de cuisson.
  - Ne pas installer au-dessus d'un évier.
  - Ne rien placer directement sur le dessus de l'appareil lorsque ce dernier est utilisé.

**CONSERVER CES INSTRUCTIONS**

## **PRÉCAUTIONS POUR ÉVITER TOUTE EXPOSITION ÉVENTUELLE AU RAYONNEMENT EXCESSIF DE MICRO-ONDES ET UTILISER L'APPAREIL SANS DANGER**

- (a)** Ne pas tenter de faire fonctionner ce four lorsque la porte est ouverte puisque l'utilisation la porte ouverte peut entraîner une exposition dangereuse au rayonnement des micro-ondes. Il est important de ne pas modifier ou contourner le verrouillage de sécurité.
- (b)** Ne placer aucun objet entre le devant du four à micro-ondes et la porte ou ne pas permettre à de la saleté ou des résidus de nettoyage de s'accumuler sur les surfaces des joints d'étanchéité.
- (c)** Ne pas ouvrir le four à micro-ondes s'il est endommagé. Il est très important que la porte du four ferme correctement et qu'il n'y ait pas de dommage à :
  - (1) la porte (tordue);
  - (2) les charnières et loquets (brisées ou lâches);
  - (3) les joints d'étanchéité de la porte et leur surface.
- (d)** Le four ne doit pas être réglé ou réparé par une personne autre qu'une personne d'entretien qualifiée.

# ENTRETIEN ET RÉPARATION DU FOUR

## Nettoyage général

**IMPORTANT :** Avant le nettoyage, s'assurer que toutes les commandes sont désactivées et que le four est froid. Toujours suivre les instructions figurant sur les étiquettes des produits de nettoyage.

L'usage de savon, d'eau et d'un chiffon doux ou d'une éponge est suggéré en priorité, sauf indication contraire.

### ACIER INOXYDABLE ET ACIER INOXYDABLE NOIR (sur certains modèles)

**REMARQUE :** Afin d'éviter d'endommager les surfaces en acier inoxydable, ne pas utiliser de tampons à récurer savonneux, de nettoyeurs abrasifs, de crème à polir pour table de cuisson, de tampons en laine d'acier, de chiffons de lavage rêches ou d'essuie-tout abrasifs. Ils peuvent endommager les surfaces en acier inoxydable, même après une seule ou quelques applications.

Frotter dans la direction du grain pour éviter les dommages.

#### Méthode de nettoyage :

- Nettoyant affresh®+ pour acier inoxydable – pièce no W10355016 (non fournie) ou lingette de nettoyage affresh® pour acier inoxydable – pièce no W10355049 (non fournie) : Consulter le Guide de démarrage rapide pour les informations de commande.
- Vinaigre pour les taches d'eau dure.

### EXTÉRIEUR DE LA PORTE DU FOUR À MICRO-ONDES

#### Méthode de nettoyage :

- Nettoyant à vitre et chiffon doux ou éponge : Appliquer le nettoyant à vitre sur un chiffon doux ou une éponge et non directement sur le tableau.
- Nettoyant affresh® pour appareils ménagers de cuisine – numéro de pièce W10355010 (vendu séparément) : Voir la section « Information de commande en ligne » du Guide de démarrage rapide pour commander.

### CAVITÉ DU FOUR À MICRO-ONDES

Afin d'éviter d'endommager la cavité du four à micro-ondes, ne pas utiliser de tampons à récurer savonneux, de nettoyeurs abrasifs, de tampons en laine d'acier, de chiffons de lavage rêches ou certains essuie-tout.

Sur les modèles en acier inoxydable, frotter dans le sens du grain pour éviter d'endommager le fini.

La zone de contact de la porte et du cadre du four, quand la porte est fermée, doit être maintenue propre.

#### Méthode de nettoyage :

##### Saleté moyenne

- Savons et détergents doux, non abrasifs : Rincer à l'eau propre et sécher avec un chiffon doux sans charpie.

##### Saleté intense

- Savons et détergents doux, non abrasifs : Faire chauffer une tasse (250 ml) d'eau pendant 2 à 5 minutes dans le four. La vapeur amollira la saleté. Rincer à l'eau propre et sécher avec un chiffon doux sans charpie.

### Odeurs

- Jus de citron ou vinaigre  
Faire chauffer une tasse (250 ml) d'eau avec 1 c. à soupe (15 ml) de jus de citron ou de vinaigre » pendant 2 à 5 minutes dans le four.

### PLAFOND DU FOUR À MICRO-ONDES

L'élément de cuisson au gril ne nécessite pas un nettoyage sachant que la chaleur intense brûle toute projection de nourriture. Cependant, la paroi supérieure au-dessus de l'élément de cuisson au gril nécessite un nettoyage régulier.

#### Méthode de nettoyage :

- Eau tiède, détergent doux et éponge.

#### Nettoyage :

1. Pousser doucement le cordon de fixation vers l'arrière de la paroi supérieure puis l'abaisser pour dégager l'élément de cuisson au gril.



2. Abaisser l'avant de l'élément de cuisson au gril pour accéder à la paroi supérieure et nettoyer.
3. Soulever à nouveau l'élément de cuisson au gril puis réinstaller le cordon de fixation à son emplacement d'origine.



Toujours remettre l'élément de cuisson au gril en position pour la cuisson après le nettoyage.

### PLATEAU ROTATIF

Remettre le plateau rotatif en place immédiatement après le nettoyage. Ne pas faire fonctionner le four à micro-ondes lorsque le plateau rotatif est enlevé.

#### Méthode de nettoyage :

- Nettoyant doux et tampon à récurer
- Lave-vaisselle

### PANIER

- Tampon en laine d'acier
- Lave-vaisselle

### PLAT À CROUSTILLER

Afin d'éviter d'endommager le plat brunisseur, ne pas l'immerger ou le rincer sous l'eau tant que le plat à croustiller est encore chaud. Ne pas utiliser de tampons en laine d'acier.

#### Méthode de nettoyage :

- Eau tiède, détergent doux et éponge. Les zones très sales peuvent être nettoyées avec un tampon à récurer et un nettoyant doux.
- Lave-vaisselle

### STEAMER (production de vapeur)

- Lave-vaisselle

### PLAQUE DE CUISSON

- Lave-vaisselle

### SUPPORT ET ROULETTES DU PLATEAU ROTATIF, AXE ET POIGNÉE DU PLAT À CROUSTILLER

- Lave-vaisselle

# INSTRUCTIONS D'INSTALLATION

## SPÉCIFICATIONS

### Outils et pièces

#### Outils nécessaires

- Tournevis à tête cruciforme
- Ruban à mesurer
- Perceuse manuelle ou électrique (pour installation dans une armoire)
- Foret de 1 po (2,5 cm) (pour installation dans une armoire)
- Foret de 1/8 po (3 mm) (pour installation dans une armoire murale)
- Niveau
- Tournevis à tête plate

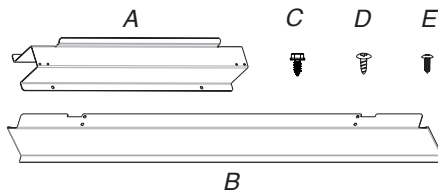
#### Pièces nécessaires

- Connecteur de conduit (homologation UL ou CSA)
- Connecteurs de fils (homologation UL)

#### Outillage nécessaire – Installation en affleurement

Pour commander, voir la section « Information de commande en ligne » du Guide de démarrage rapide.

#### Pièces fournies



- A. Entretoises (2)
- B. Évent inférieur (1)
- C. Vis à tête hexagonale de 3/8 po (9,5 mm) (4)
- D. Vis à tête bombée de 3/4 po (1,9 cm) (4)
- E. Vis à tête bombée de 3/4 po (1,9 cm) (2)

Consulter les codes locaux. Vérifier l'alimentation électrique existante. Consulter les « Spécifications électriques ».

Il est recommandé de faire réaliser tous les raccordements électriques par un électricien qualifié agréé.

**REMARQUE :** S'assurer d'acheter uniquement des pièces et des accessoires Whirlpool certifiés par le fabricant de l'appareil. Il se peut que l'installation nécessite des pièces supplémentaires. Pour commander, consulter les coordonnées indiquées dans le guide de démarrage rapide.

### Exigences d'emplacement

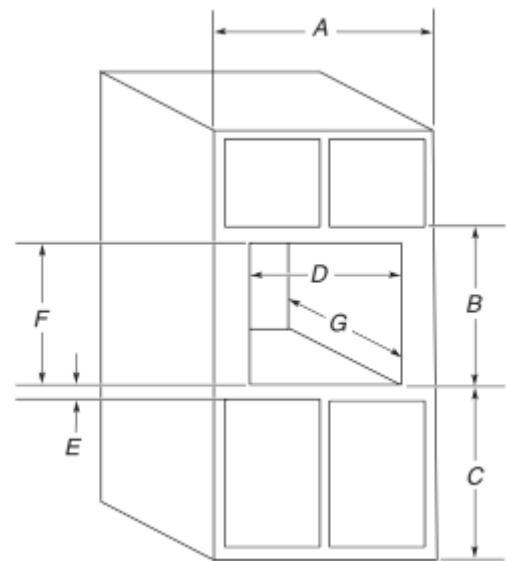
**IMPORTANT :** Observer les dispositions de tous les codes et règlements en vigueur.

- Respecter les dimensions indiquées pour les ouvertures à découper dans les armoires. Ces dimensions tiennent compte des dégagements de séparation nécessaires pour le four.
- L'espace d'installation dans un encastrement doit permettre la formation d'une enceinte complète autour de la partie encastrée du four.
- Une source d'électricité avec liaison à la terre est nécessaire. Voir la section « Spécifications électriques ».
- Le boîtier de connexion doit être situé 3 po (7,6 cm) maximum au-dessous de la surface d'appui lorsque le four est installé dans une armoire murale. Un trou d'un diamètre minimum de 1 po (2,5 cm) doit avoir été percé dans l'angle arrière gauche de la surface de support pour le passage du câble d'alimentation de l'appareil jusqu'au boîtier de connexion.

- Pour une installation au-dessus d'un seul four encastré, le boîtier de connexion doit se trouver à l'intérieur du placard mural.
- Si l'on installe le boîtier de connexion sur le mur arrière, derrière le four à micro-ondes, le boîtier de connexion doit être encastré et placé dans l'angle inférieur ou supérieur de l'armoire, à gauche ou à droite, sans quoi le four ne pourra pas passer dans l'ouverture de l'armoire destinée à le recevoir.
- La surface de support du four à micro-ondes doit être robuste, horizontale et en affleurement avec le bas de l'ouverture découpée dans l'armoire. Le plancher doit pouvoir supporter un poids de 90 lb (41 kg).

**IMPORTANT :** Pour éviter d'endommager les armoires, consulter le constructeur de la maison ou le fabricant des armoires pour déterminer si les matériaux utilisés peuvent subir un changement de couleur, une déstratification ou d'autres dommages. Ce four a été conçu conformément aux exigences des normes UL et CSA International et respecte les températures maximales permises de 194 °F (90 °C) pour les armoires en bois.

### Dimensions de l'armoire



#### Modèles de 27 po (68,6 cm)

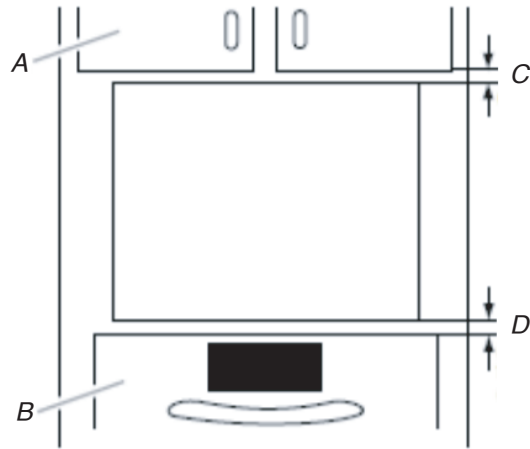
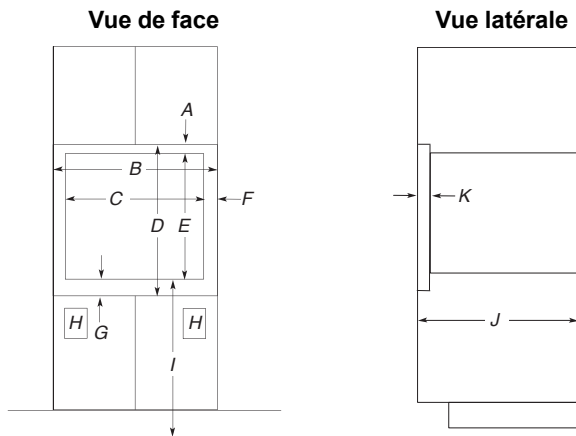
- A. 27 po (68,6 cm) de largeur minimum pour l'armoire
- B. 18 5/8 po (47,3 cm) entre le bas de l'encastrement et le bas de la porte de l'armoire supérieure
- C. 40 po (101,6 cm) du fond de l'encastrement au plancher (recommandé)
- D. 25 1/2 po (64,8 cm) de largeur pour l'ouverture découpée
- E. 1 1/2 po (3,8 cm) minimum entre le bas de l'encastrement et le haut de la porte de l'armoire supérieure
- F. 17 5/8 po (44,7 cm) de hauteur de découpe recommandée (convient à une hauteur de découpe de 17 3/8 po [44,1 cm] à 17 3/4 po [45,1 cm])
- G. 21 7/8 po (55,5 cm) minimum de profondeur d'encastrement

#### Modèles de 30 po (76,2 cm)

- A. 30 po (76,2 cm) de largeur minimum pour l'armoire
- B. 18 5/8 po (47,3 cm) entre le bas de l'encastrement et le bas de la porte de l'armoire supérieure
- C. 40 po (101,6 cm) du fond de l'encastrement au plancher (recommandé)
- D. 28 1/2 po (72,4 cm) de largeur pour l'ouverture découpée
- E. 1 1/2 po (3,8 cm) minimum entre le bas de l'encastrement et le haut de la porte de l'armoire supérieure
- F. 17 5/8 po (44,7 cm) de hauteur de découpe recommandée (convient à une hauteur de découpe de 17 3/8 po [44,1 cm] à 17 3/4 po [45,1 cm])
- G. 21 7/8 po (55,5 cm) minimum de profondeur d'encastrement

## Dimensions de l'armoire – Installation en affleurement

L'ouverture doit avoir une profondeur minimale de 23 1/4 po (59,0 cm). Ces dimensions donneront un dégagement de 1/4 po (6 mm) au sommet, un dégagement de 1/4 po (6 mm) sur les côtés et un dégagement de 1/8 po (3 mm) au bas du four à micro-ondes. Le côté avant des tasseaux et de la plate-forme sera visible et doit être traité comme une surface de finition.



- A. Armoire supérieure
- B. Four inférieur simple
- C. 1 po (2,5 cm)
- D. 1 po (2,5 cm) à partir du dessus du four

Modèles approuvés : KMBP100E et KMBP107E

## Spécifications électriques

### Modèles de 27 po (68,6 cm)

- A. Tasseau supérieur de 5/8 po (16 mm)\*
- B. 27 1/4 po (69,2 cm) de largeur minimum d'ouverture intégrée en affleurement
- C. 25 1/2 po (64,8 cm) de largeur minimum pour l'ouverture
- D. 19 po (48,3 cm) de hauteur minimum pour l'ouverture intégrée en affleurement
- E. Hauteur recommandée de la découpe : 17 5/8 po (44,7 cm)
- F. Tasseau latéral de 11/16 po (1,7 cm)\*
- G. Tasseau inférieur de 3/4 po (1,9 cm)\*
- H. Emplacement recommandé pour la boîte de jonction
- I. 40 po (101,6 cm) du fond de l'encastrement au plancher (recommandé)
- J. Profondeur minimum de la découpe : 23 1/4 po (59,0 cm)
- K. 1 3/8 po (3,5 cm) pour l'encastrement à partir de l'avant de l'armoire

### Modèles de 30 po (76,2 cm)

- A. Tasseau supérieur de 5/8 po (16 mm)\*
- B. 30 1/4 po (76,8 cm) de largeur minimum d'ouverture intégrée en affleurement
- C. 28 1/2 po (72,4 cm) de largeur minimum pour l'ouverture
- D. 19 po (48,3 cm) de hauteur minimum pour l'ouverture intégrée en affleurement
- E. Hauteur recommandée de la découpe : 17 5/8 po (44,7 cm)
- F. Tasseau latéral de 11/16 po (1,7 cm)\*
- G. Tasseau inférieur de 3/4 po (1,9 cm)\*
- H. Emplacement recommandé pour la boîte de jonction
- I. 40 po (101,6 cm) du fond de l'encastrement au plancher (recommandé)
- J. Profondeur minimum de la découpe : 23 1/4 po (59,0 cm)
- K. 1 3/8 po (3,5 cm) pour l'encastrement à partir de l'avant de l'armoire

\* Les tasseaux doivent être encastrés à 1 3/8 po (3,5 cm) depuis l'avant de l'armoire.

### Distances de dégagement minimum pour l'installation

Pour une installation correcte, les distances de dégagement minimum suivantes doivent être respectées au-dessus et au-dessous de l'ouverture dans l'armoire.

### Installation par le dessus – Four encastré simple

## INSTRUCTIONS DE LIAISON À LA TERRE

### Pour un appareil avec liaison à la terre et cordon d'alimentation :

Cet appareil doit être relié à la terre. En cas d'anomalie de fonctionnement ou de panne, la liaison à la terre réduira le risque de décharge électrique en offrant au courant électrique un itinéraire d'évacuation de moindre résistance. L'appareil est doté d'un cordon électrique comportant un conducteur de mise à la terre d'équipement et une fiche de branchement de liaison à la terre. La fiche doit être branchée sur une prise de courant appropriée qui soit bien installée et reliée à la terre conformément à tous les codes et règlements locaux.

**AVERTISSEMENT :** Un raccordement inapproprié du conducteur de mise à la terre de l'équipement peut causer un risque de décharge électrique. En cas de doute quant à la qualité de la mise à la terre de l'appareil, consulter un électricien ou un technicien d'entretien qualifié. Ne pas modifier la fiche fournie avec cet appareil; si elle ne correspond pas à la prise de sortie, faire installer une prise appropriée par un électricien qualifié.

## CONSERVER CES INSTRUCTIONS

Si on utilise un conducteur distinct de liaison à la terre et lorsque les codes le permettent, il est recommandé qu'un électricien qualifié vérifie que la liaison à la terre et le calibre des fils sont conformes aux codes locaux.

En cas de doute quant à la qualité de la liaison à la terre du four, consulter un électricien qualifié.

Ce four doit être raccordé à un système permanent, métallique de câblage relié à la terre.

S'assurer que la connexion électrique et le calibre des fils sont appropriés et conformes au National Electrical Code, aux normes ANSI/NFPA 70 – dernière édition, ou aux normes CSA C22.1-94, au Code canadien de l'électricité, Partie 1 et C22.2 N° O-M91 – dernière édition, et à tous les codes et règlements locaux.

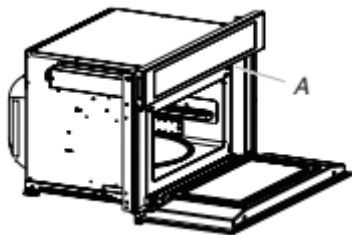
Pour obtenir un exemplaire des normes des codes ci-dessus, contacter :

National Fire Protection Association  
1 Batterymarch Park  
Quincy, MA 02169-7471  
CSA International  
8501 East Pleasant Valley Road  
Cleveland, OH 44131-5575

## Raccordement électrique

Pour installer le four à micro-ondes de façon appropriée, il faut établir le type de raccords électriques que l'on utilisera et suivre les instructions de ce document.

- Le four à micro-ondes doit être alimenté par une source d'électricité appropriée (caractéristiques de tension et fréquence spécifiées sur la plaque signalétique). La plaque signalétique se trouve sous le tableau de commande, le long de l'évent du four.



A. Plaque signalétique du numéro de modèle et de série

- Le four à micro-ondes est alimenté par une tension nominale de 120/240 V sous 20 A, contient 4 conducteurs (L1, L2, N et terre) dans le câble flexible et doit être connecté à un circuit de 20 A d'intensité nominale maximale, protégé contre les surintensités sur les circuits L1 et L2.
- On recommande d'utiliser un fusible ou un disjoncteur temporisé.
- Le câble flexible du four à micro-ondes doit être connecté directement dans le boîtier de connexion.
- Ne pas couper le conduit. La longueur du conduit fourni est destinée à faciliter l'entretien/le dépannage éventuel du four.
- L'installateur doit fournir un connecteur de conduit (homologation UL ou CSA).
- Si le domicile possède un câblage en aluminium, suivre la procédure ci-dessous :

Connecter le câblage en aluminium en utilisant des capuchons ou des outils spécialement conçus et homologués UL pour raccorder le cuivre à l'aluminium.

Suivre la procédure recommandée par le fabricant de connecteurs électriques. Les raccordements aluminium/cuivre doivent satisfaire aux prescriptions des codes locaux et de l'industrie, et être conformes aux pratiques de câblage reconnues.

Pour les critères d'alimentation électrique, se reporter au tableau suivant :

Tension	Four à micro-ondes avec convection
240 V CA	19,9 A/3 250 W
208 V CA	19,9 A/3 250 W

## INSTALLATION

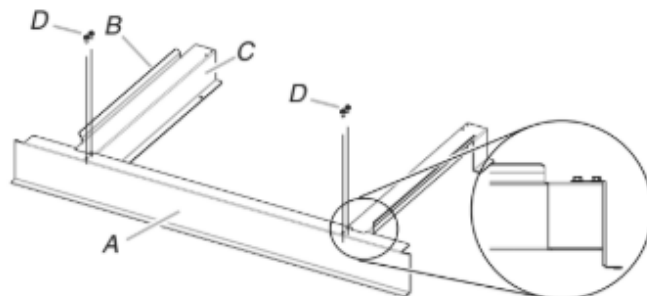
### Installation de la trousse d'entretoise (pour four à micro-ondes)

**REMARQUE :** La trousse d'entretoise du four à micro-ondes permet d'installer le four dans un encastrement d'une hauteur maximale comprise entre 17 <sup>3</sup>/<sub>8</sub> po et 17 <sup>3</sup>/<sub>4</sub> po (44,1 cm et 45,1 cm).

#### Assemblage de la trousse d'entretoise

- Fixer l'évent du bas aux entretoises à l'aide des quatre vis à tête hexagonale de 3/8 po (9,5 mm).

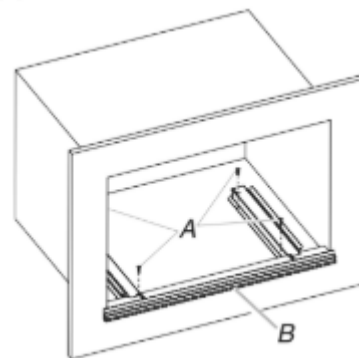
**REMARQUE :** Les rebords de l'entretoise doivent être orientés vers l'extérieur.



- A. Évent inférieur
- B. Rebord de l'entretoise
- C. Entretoise
- D. Vis à tête hexagonale de 3/8 po (9,5 mm)

#### Installation de la trousse d'entretoise

- Centrer la trousse d'entretoise pour four à micro-ondes assemblée contre le rebord inférieur avant de l'ouverture découpée dans le placard.
- À l'aide d'un foret de 1/8 po (3,2 mm), percer dans les trous de montage des entretoises pour créer des avant-trous.
- Fixer la trousse d'entretoise assemblée à l'armoire à l'aide des quatre vis à tête bombée de 3/4 po (1,9 cm). Ne pas serrer excessivement les vis.



- A. Vis à tête plate de 3/4 po (1,9 cm)
- B. Trousse d'entretoise



## Préparer le four encastré

1. Choisir l'emplacement final pour l'installation du four. Repérer le câblage existant pour éviter de le percer ou de l'endommager lors de l'installation.

### **⚠ AVERTISSEMENT**

#### **Risque de poids excessif**

**Utiliser deux personnes ou plus pour déplacer et installer l'appareil.**

**Le non-respect de cette instruction peut causer une blessure au dos ou d'autres blessures.**

2. Pour éviter d'endommager le plancher, placer le four à micro-ondes ou le four sur une feuille de carton avant l'installation. Pour soulever l'appareil, ne pas prendre prise sur la poignée ou sur une autre partie de l'avant du châssis.
3. Ne pas oublier de retirer l'évent inférieur de l'emballage en mousse du dessus du four.
4. Retirer les matériaux d'emballage et les rubans adhésifs du four à micro-ondes ou four.
5. Enlever le matériel à l'intérieur du sachet de documentation.
6. Retirer et mettre de côté les grilles et autres pièces qui se trouvent à l'intérieur du four à micro-ondes ou four.
7. Approcher le four à micro-ondes ou four et la feuille de carton à son emplacement final.

## Raccordement électrique

### **⚠ AVERTISSEMENT**



#### **Risque de décharge électrique**

**Déconnecter la source de courant électrique avant l'entretien.**

**Utiliser du fil de cuivre de calibre 12.**

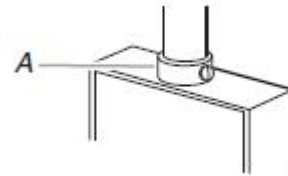
**Relier le four à la terre.**

**Le non-respect de ces instructions peut causer un décès, un incendie ou une décharge électrique.**

Le câblage de ce four à micro-ondes comporte un conducteur d'alimentation électrique neutre (blanc) et un conducteur de liaison à la terre vert (ou nu) connecté à la caisse.

1. Débrancher l'alimentation.
2. Placer le conduit de câble flexible depuis le four jusqu'à l'espace d'installation dans l'armoire.
3. Le cas échéant, enlever le couvercle du boîtier de connexion.

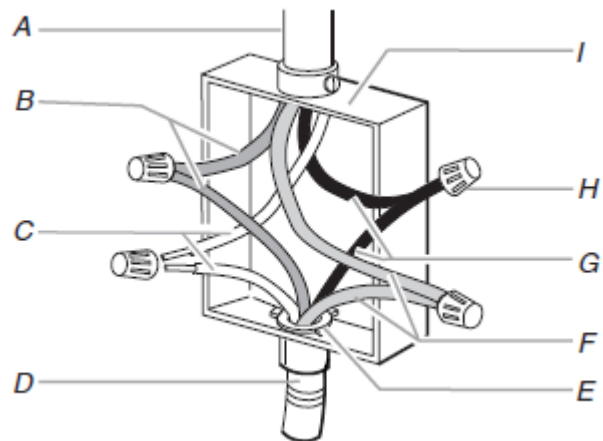
4. Installer un connecteur de conduit (homologation UL ou CSA) sur le boîtier de connexion.



A. Connecteur de conduit (homologation UL ou CSA)

5. Acheminer le conduit de câble flexible depuis le four jusqu'au boîtier de connexion – utiliser un connecteur de conduit (homologation UL ou CSA).
6. Serrer les vis sur le connecteur de conduit.
7. Terminer le raccordement électrique.

### **Câble à 4 conducteurs avec liaison à la terre à partir de l'alimentation électrique du domicile jusqu'au câble à 4 conducteurs du four à micro-ondes**

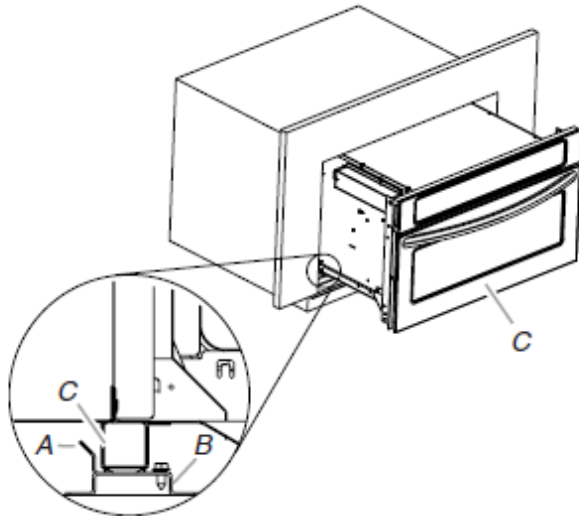


- |   |  |
|---|--|
| A. Câble depuis le point de distribution du domicile  | F. Conducteurs rouges                    |
| B. Conducteurs verts (ou nus)                         | G. Conducteur noir                       |
| C. Conducteur blanc                                   | H. Connecteurs de fils (homologation UL) |
| D. Câble à 4 conducteurs depuis le four à micro-ondes | I. Boîtier de connexion                  |
| E. Connecteur de conduit (homologation UL ou CSA)     |  |

1. Connecter ensemble les 2 connecteurs noirs (G) avec un capuchon de connexion (homologation UL).
2. Connecter ensemble les 2 conducteurs blancs (C) avec un capuchon de connexion (homologation UL).
3. Connecter ensemble les 2 connecteurs rouges (F) avec un capuchon de connexion (homologation UL).
4. Connecter ensemble les 2 conducteurs verts (ou nus) (B) avec un capuchon de connexion (homologation UL).
5. Installer le couvercle du boîtier de connexion.

## Installation du four à micro-ondes

1. À l'aide d'au moins 2 personnes, soulever le four à micro-ondes et l'introduire partiellement dans l'ouverture d'encastrement de l'armoire. Si l'on a installé une trousse d'entretoise, soulever le four à micro-ondes et le placer par-dessus celle-ci puis placer le four à micro-ondes entre les languettes de guidage.



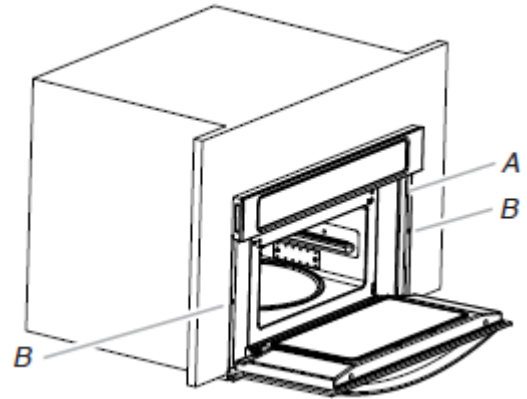
- A. Rebord de l'entretoise  
B. Entretoise  
C. Four à micro-ondes

2. Pousser contre le châssis avant du four à micro-ondes pour introduire le four dans l'armoire. Enfoncer complètement le four à micro-ondes dans l'armoire et le centrer dans la cavité de l'armoire.

**REMARQUE :** Ouvrir la porte du four à micro-ondes et pousser sur la zone du joint du châssis avant du four à micro-ondes lorsqu'on pousse le four à micro-ondes dans l'armoire. Ne pas pousser contre les bords externes.



3. À l'aide d'un foret de 1/8 po (3,2 mm), percer des avant-trous dans les glissières de montage situées de chaque côté du four à micro-ondes.
4. Fixer solidement le four à micro-ondes à l'armoire à l'aide des deux vis à tête bombée de 3/4 po fournies. Insérer les vis à travers les trous des glissières de montage. Ne pas serrer excessivement les vis.



- A. Rail de montage  
B. Vis à tête bombée

5. Réinstaller le rouleau du plateau rotatif, le plateau rotatif et l'axe de support.
6. Rebrancher l'alimentation.
7. Le tableau d'affichage s'allume brièvement et l'horloge devrait apparaître sur l'affichage.
8. Si le panneau d'affichage ne s'allume pas, consulter la section « Information de commande en ligne » du Guide de démarrage rapide ou contacter le marchand chez qui le four à micro-ondes a été acheté.

## Achever l'installation

1. Vérifier que toutes les pièces sont maintenant installées. S'il reste une pièce, passer en revue les différentes étapes pour découvrir laquelle aurait été oubliée.
2. Vérifier la présence de tous les outils.
3. Éliminer/recycler tous les matériaux d'emballage.

### Vérifier le fonctionnement du four à micro-ondes

1. Remplir un récipient adapté aux micro-ondes avec 1 tasse (250 mL) d'eau et placer le récipient sur le plateau rotatif à l'intérieur du four à micro-ondes. Bien fermer la porte.
2. Appuyer sur COOK (cuisson).
3. Régler le niveau de puissance, la température et la durée de cuisson pour « 2:00 » minutes.
4. Appuyer sur START (mise en marche).

#### Si le four à micro-ondes ne fonctionne pas, contrôler ce qui suit :

- Le fusible domestique est intact et bien visé ou le disjoncteur n'est pas ouvert.
- La prise de courant est correctement alimentée.
- Consulter la section « Dépannage » en ligne.

Lorsque l'afficheur indique « 1:00 » minute, ouvrir la porte du four à micro-ondes. La cuisson au four à micro-ondes doit s'arrêter. Bien fermer la porte. La lampe intérieure du four à micro-ondes doit s'éteindre.

5. Appuyer sur START (mise en marche) pour poursuivre le programme préréglé. Le four à micro-ondes doit commencer la cuisson et la lampe intérieure du four à micro-ondes doit être allumée.  
Laisser le four à micro-ondes terminer la durée de cuisson. Des signaux sonores retentissent à la fin de la durée de cuisson et le four à micro-ondes s'éteint.
6. Ouvrir la porte du four à micro-ondes et retirer lentement le récipient. L'eau dans le contenant doit être chaude.
7. Pour le réglage de l'horloge et d'autres fonctions du four à micro-ondes, consulter le Guide de démarrage rapide.

#### Pour obtenir de l'assistance ou une visite de service :

Consulter la section « Information de commande en ligne » du Guide de démarrage rapide ou contacter le marchand chez qui le four à micro-ondes encastré a été acheté.

## NOTES

## NOTES

## NOTES

## NOTES

