

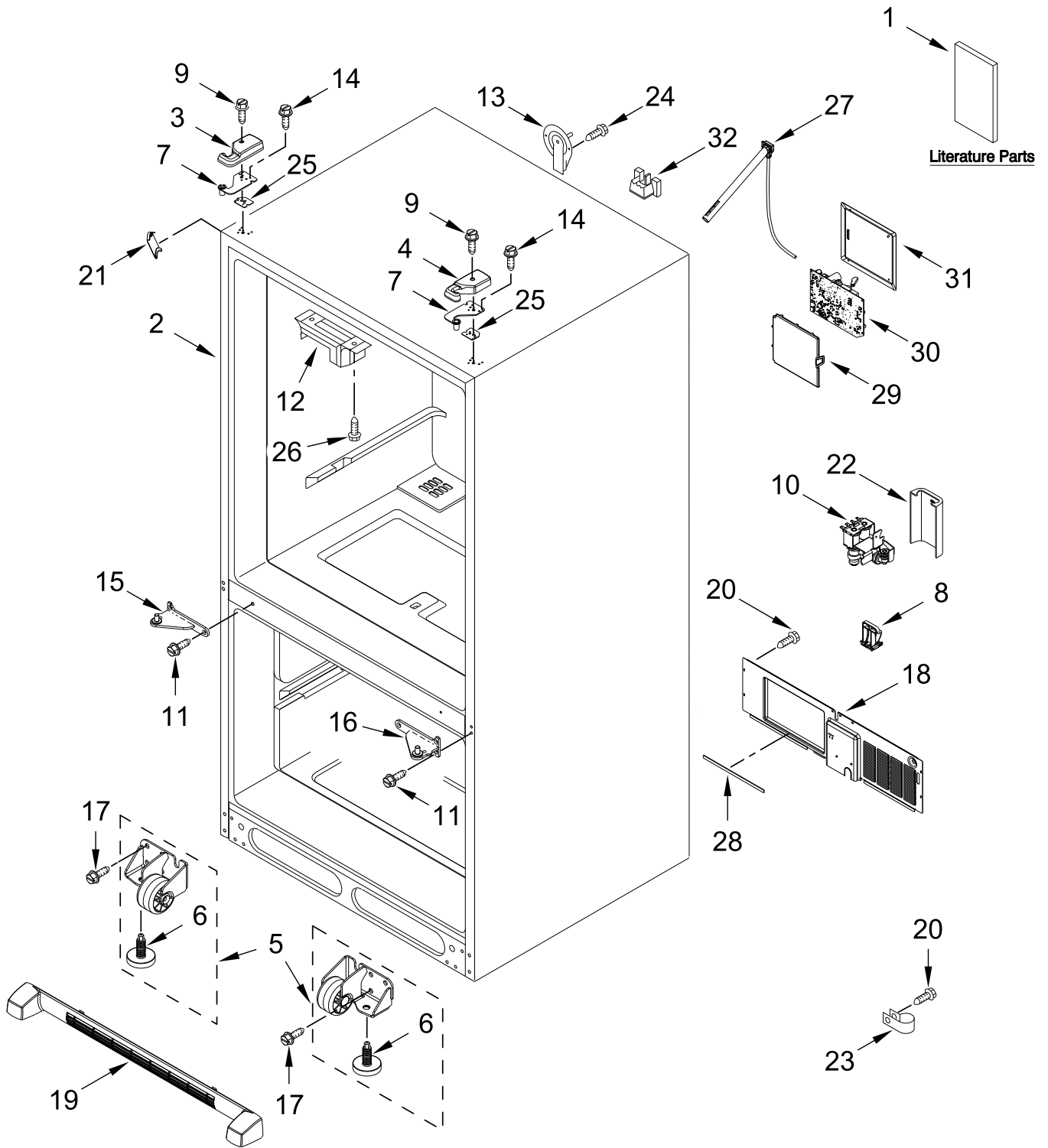


REFRIGERATOR

MODELS:

MRFF5033PZ02 (Stainless Steel)

CABINET PARTS



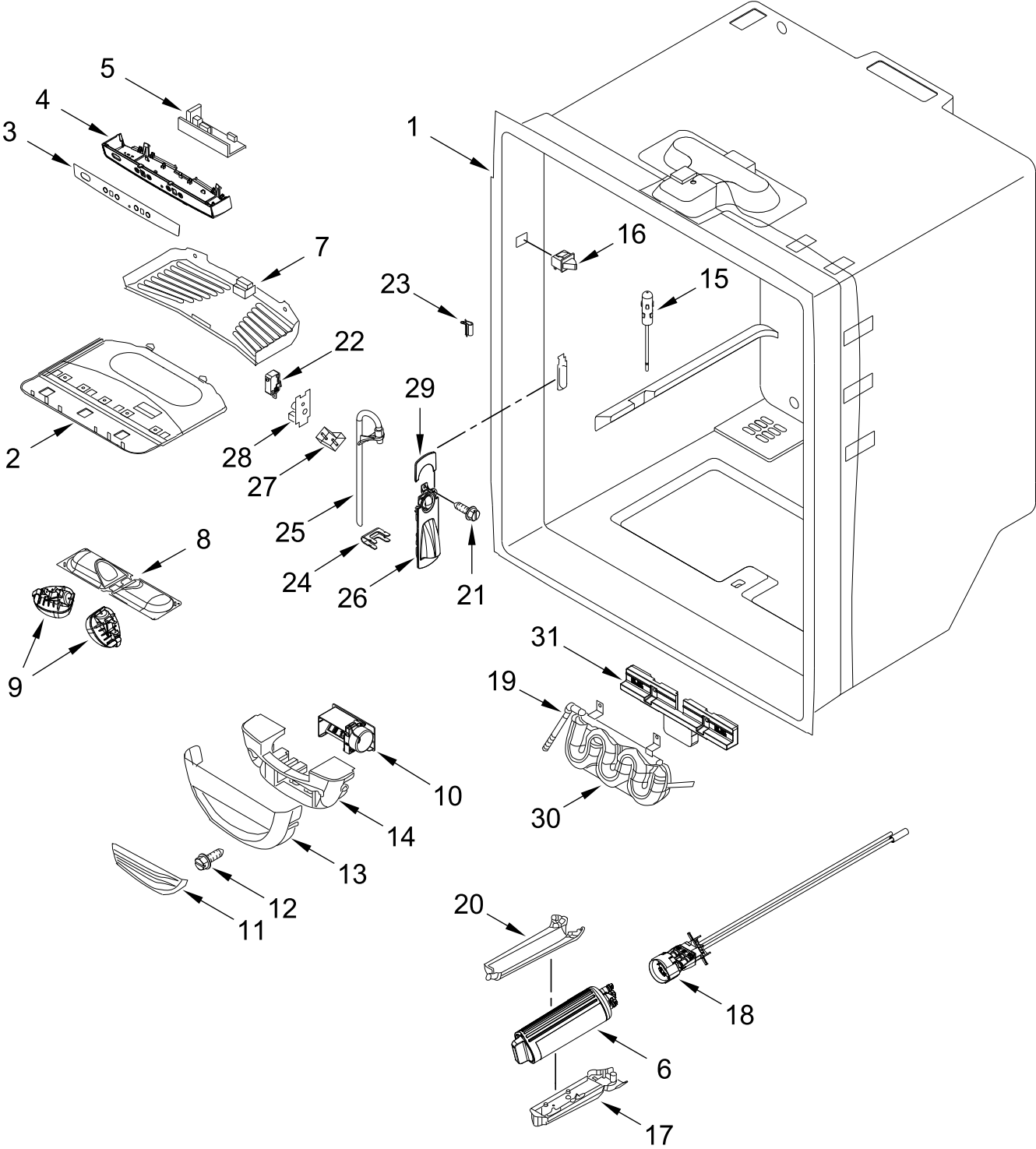
CABINET PARTS

<u>Illus. No.</u>	<u>Part No.</u>	<u>Description</u>
1		Literature Parts
	W11580822	Owners Manual
	W11647520	Energy Guide
	W11623340	Tech Sheet
2		Cabinet (Not a Servicable Part)
3		Cover, Left Hinge
	W10337648	Grey
4		Cover, Right Hinge
	12962302AP	Grey
5		Assembly, Roller
	W10515763	Left Hand
	W10515762	Right Hand
6	W10141622	Brake, Roller
7		Hinge, Top
	W11456626	Left Hand
	W11456625	Right Hand
8	W10528513	Sweep, Dual Tube
9	12992602	Screw

<u>Illus. No.</u>	<u>Part No.</u>	<u>Description</u>
10	W11446816	Valve, Water Inlet
11	12990101	Screw
12	12698403	Plate, Pivot
13	12726003	Cover, Water Line
14	12992403	Screw
15		Hinge, Center
	W11610757	Left Hand
16		Hinge, Center
	W11610758	Right Hand
17	W10709365	Screw
18	W10210980	Cover, Unit
19		Grille, Toe
	W10534160	Grey
20	12990702	Screw
21		Cover, Corner
	12587703AP	Grey
22	W10208593	Guard, Dual Water Valve
23	M0108107	Clamp, Tube

<u>Illus. No.</u>	<u>Part No.</u>	<u>Description</u>
24	12991604	Screw
25		Shim, Top Hinge
	12999501	Left Hand
	12999502	Right Hand
26	688983	Screw
27	W11046934	Assembly, Fill Tube (Includes Tubing, Fill Tube Elbow, Tube Insert and Clamp)
28	W11534847	Gasket
29	W10296541	Lid, HV Control Box
30	12961602	Cover, Control Box
31	W10317076	Board, HV Control
32	W11651067	Block, Fill Tube

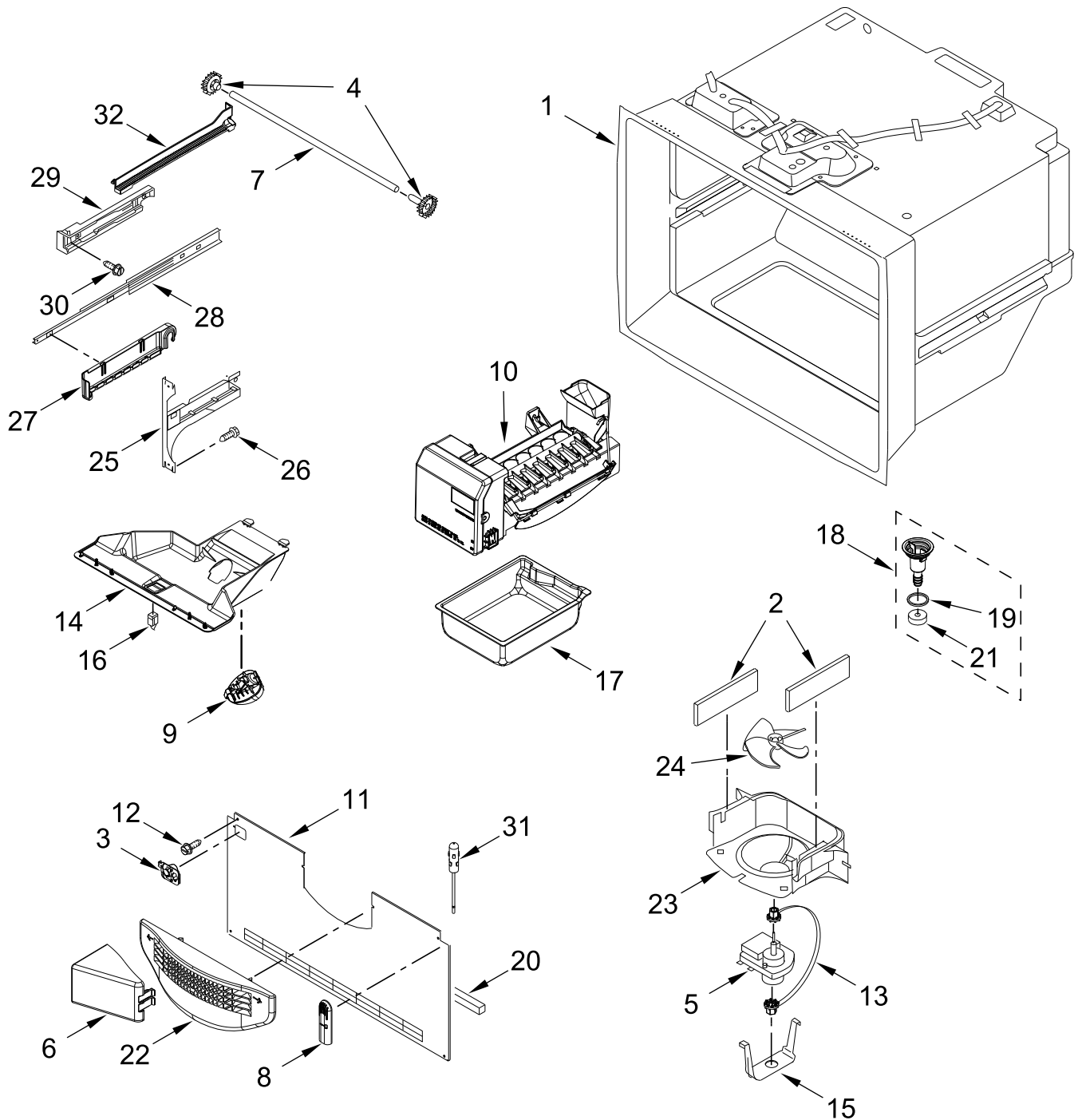
REFRIGERATOR LINER PARTS



REFRIGERATOR LINER PARTS

<u>Illus. No.</u>	<u>Part No.</u>	<u>Description</u>	<u>Illus. No.</u>	<u>Part No.</u>	<u>Description</u>	<u>Illus. No.</u>	<u>Part No.</u>	<u>Description</u>
1		Liner (Not A Serviceable Part)	15	12791416	Thermistor	29	W11437003	Facade, Dispenser (Top)
2	W10464766	Module, Light	16	W10847852	Switch, Rocker	30	W11097710	Tank, Water
3	W10746278	Overlay	17	W11510657	Plate, Filter	31	W11657840	Insulation, Water Tank
4	W10464767	Module, Control	18	W11519957	Manifold, Water System			FOLLOWING PARTS NOT ILLUSTRATED
5	W11593757	Board, Control	19	61006182	Union, Water			
6	W11536439	Filter, Water	20	W11510654	Cover, Filter	W11609496		Harness, Control (Includes Thermistor)
7	W11132917	Cover, Light	21	12990302	Screw			
8	W10443023	Housing, Light	22	W11495787	Switch, Limit			
9	W11468934	Light Module, LED	23	12251001	Clip, Water Tube			
10	W10594329	Control, Damper	24	B8390302	Clip, Facade			
11	12806801	Insert, Damper Cover	25	W11031909	Guide, Waterline			
12	12990604	Screw	26	W11551461	Facade, Dispenser			
13	12806701	Cover, Damper	27	W11437004	Foam, Plate Switch			
14	W11657832	Insulation, Damper	28	W11437528	Plate, Switch			

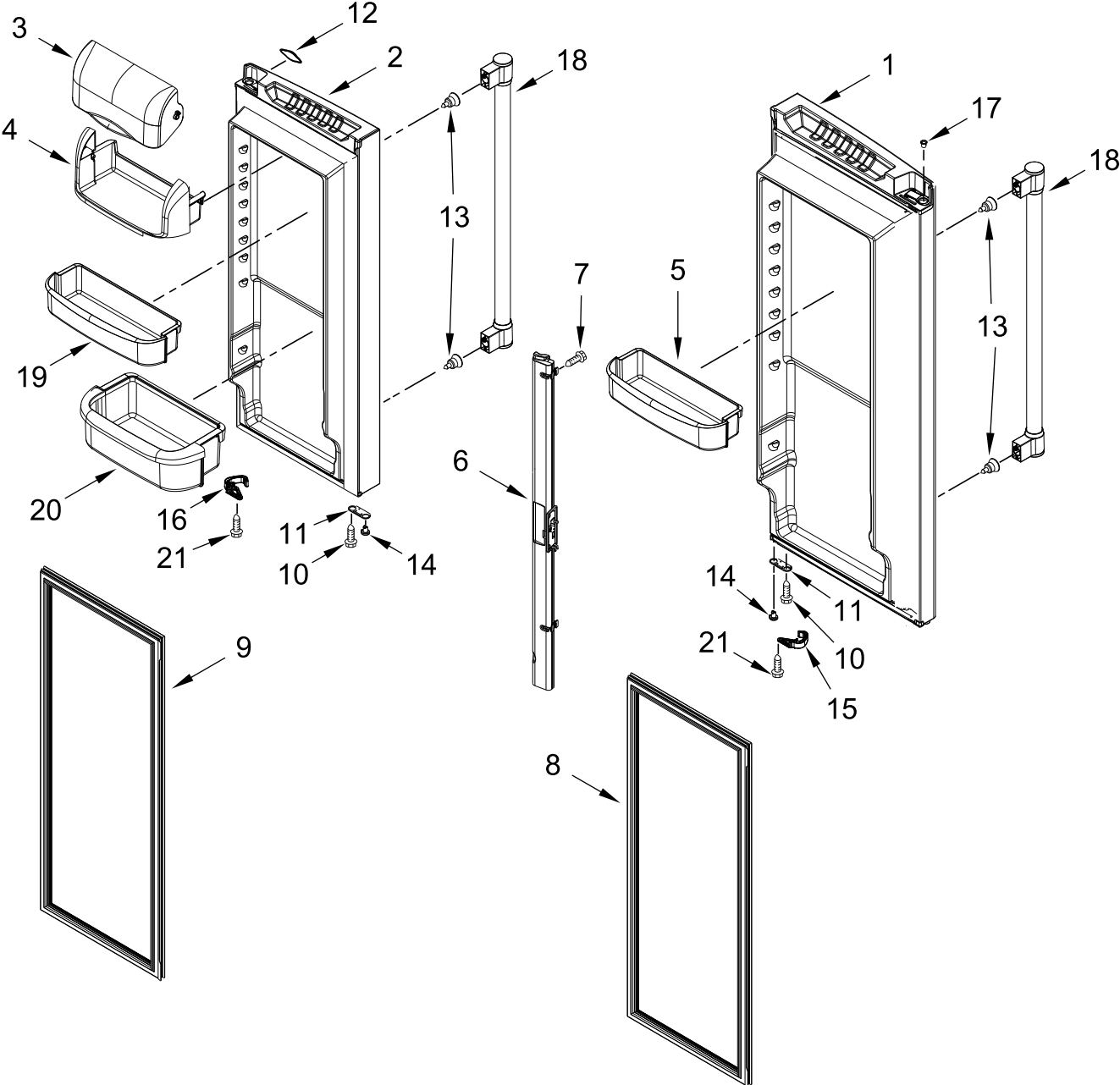
FREEZER LINER AND ICEMAKER PARTS



FREEZER LINER AND ICEMAKER PARTS

<u>Illus. No.</u>	<u>Part No.</u>	<u>Description</u>	<u>Illus. No.</u>	<u>Part No.</u>	<u>Description</u>	<u>Illus. No.</u>	<u>Part No.</u>	<u>Description</u>
1		Liner (Not A Serviceable Part)	15	13058002	Clip, Evaporator Motor	27		Cradle, Basket
2	A3189392	Gasket, Foam	16	W10847849	Switch, Light		W10280608	Left Hand
3	W11341630	Guide, Fill Tube	17	W10171529N	Pan, Ice		W10280613	Right Hand
4	12002497	Gear	18	W10662407	Assembly, Drain Funnel	28	W11644400	Slide, Door
5	13062901	Motor, Evaporator	19	M0500703	Seal	29		Adapter, Slide
6	W10157765	Diverter, Air	20	A3189395	Gasket, Foam		W10284684	Left Hand
7	W10802331	Shaft, Rack	21	B8381501	Gasket, Drain		W10284685	Right Hand
8	12815301	Cover, Thermistor	22	13024803	Grille, Freezer Air	30	12990501	Screw
9	W11468934	Light Module, LED	23	13057901	Shroud, Evaporator Fan	31	12791419SP	Thermistor
10	W11525253	Assembly, Complete Icemaker	24	2169142	Blade, Fan	32		Rail, Side
11	W10308415	Cover, Evaporator	25		Bracket, Door		W11309374	Left Hand
12	12990511	Screw		W10330991	Left Hand		W11309377	Right Hand
13	W10150583	Grommet, Fan Motor		W10330993	Right Hand			
14	W10277025	Module, Light	26	12990521	Screw			

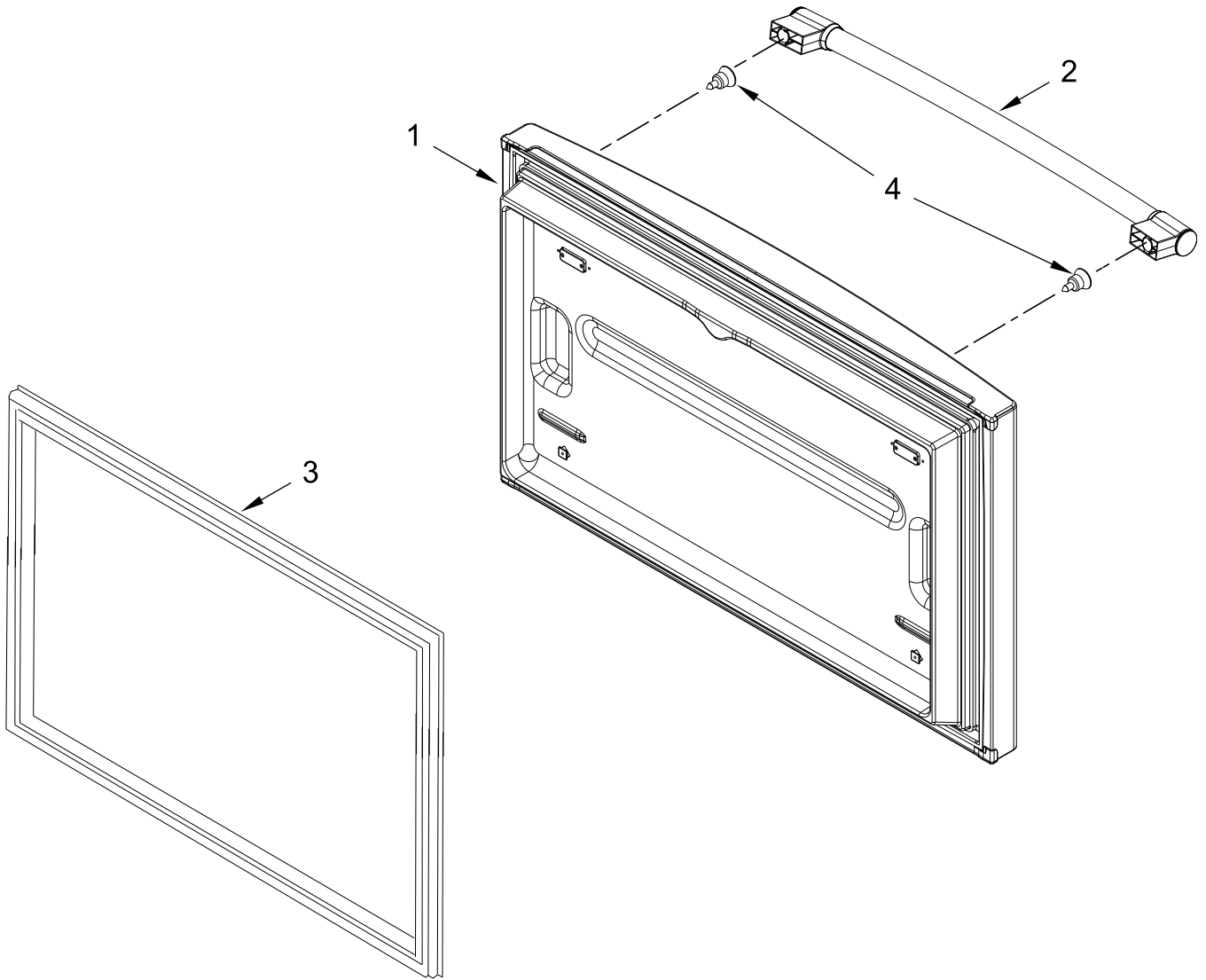
REFRIGERATOR DOOR PARTS



REFRIGERATOR DOOR PARTS

<u>Illus.</u> <u>No.</u>	<u>Part No.</u>	<u>Description</u>	<u>Illus.</u> <u>No.</u>	<u>Part No.</u>	<u>Description</u>	<u>Illus.</u> <u>No.</u>	<u>Part No.</u>	<u>Description</u>
1		Door, Left	9		Gasket, Door	16		Latch, Door Closer
	W11622640	Stainless			Right Hand			Right Hand
2		Door, Right		W10830162	Grey		W10833739	Grey
	W11377212	Stainless	10	12990504	Screw	17	12996601	Clip, Bushing
3	12804701SP	Door, Dairy	11		Stop, Door	18		Handle, Door
4	12369502SP	Tray, Dairy		12968202AP	Grey		W10838130	Stainless
5	W10351081	Bucket, Small	12	W10612926	Badge	19	W10371194	Bucket, Medium
6		Mullion, Door	13	W11328753	Screw	20	12918704	Bucket, Gallon (Clear)
	12722803APN	Grey	14		Closure, Door		W10289497	Bucket, Gallon
7	12990204	Screw		12028505AP	Grey	21	12990518	Screw
8		Gasket, Door	15		Latch, Door Closer			
		Left Hand			Left Hand			
	W10830283	Grey		W10833741	Grey			

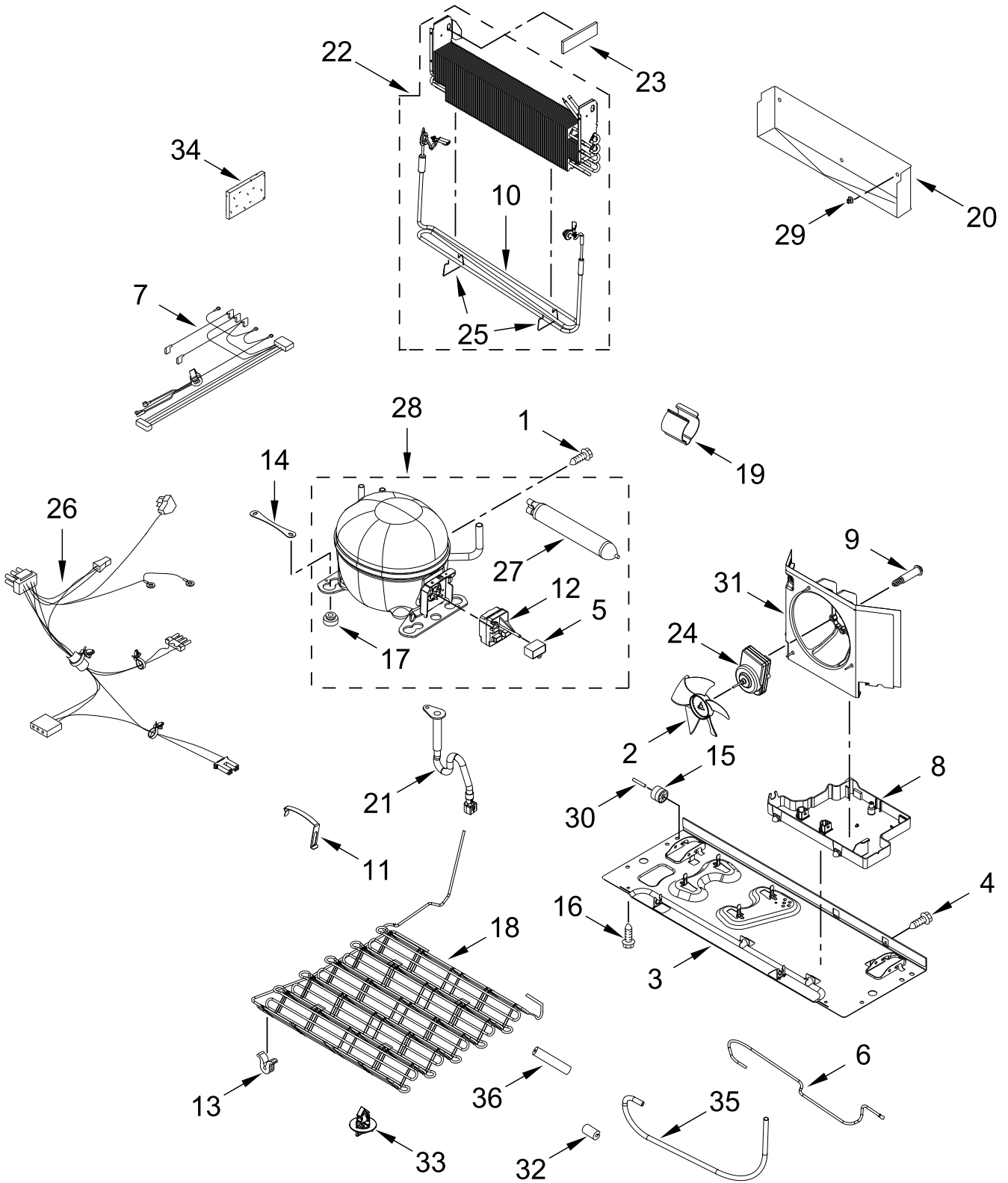
FREEZER DOOR PARTS



FREEZER DOOR PARTS

<u>Illus.</u> <u>No.</u>	<u>Part No.</u>	<u>Description</u>	<u>Illus.</u> <u>No.</u>	<u>Part No.</u>	<u>Description</u>	<u>Illus.</u> <u>No.</u>	<u>Part No.</u>	<u>Description</u>
1	W11377204	Door, Freezer Stainless	2	W10840878	Handle, Door Stainless	3	W10443316	Gasket, Door Grey
						4	W11328753	Screw

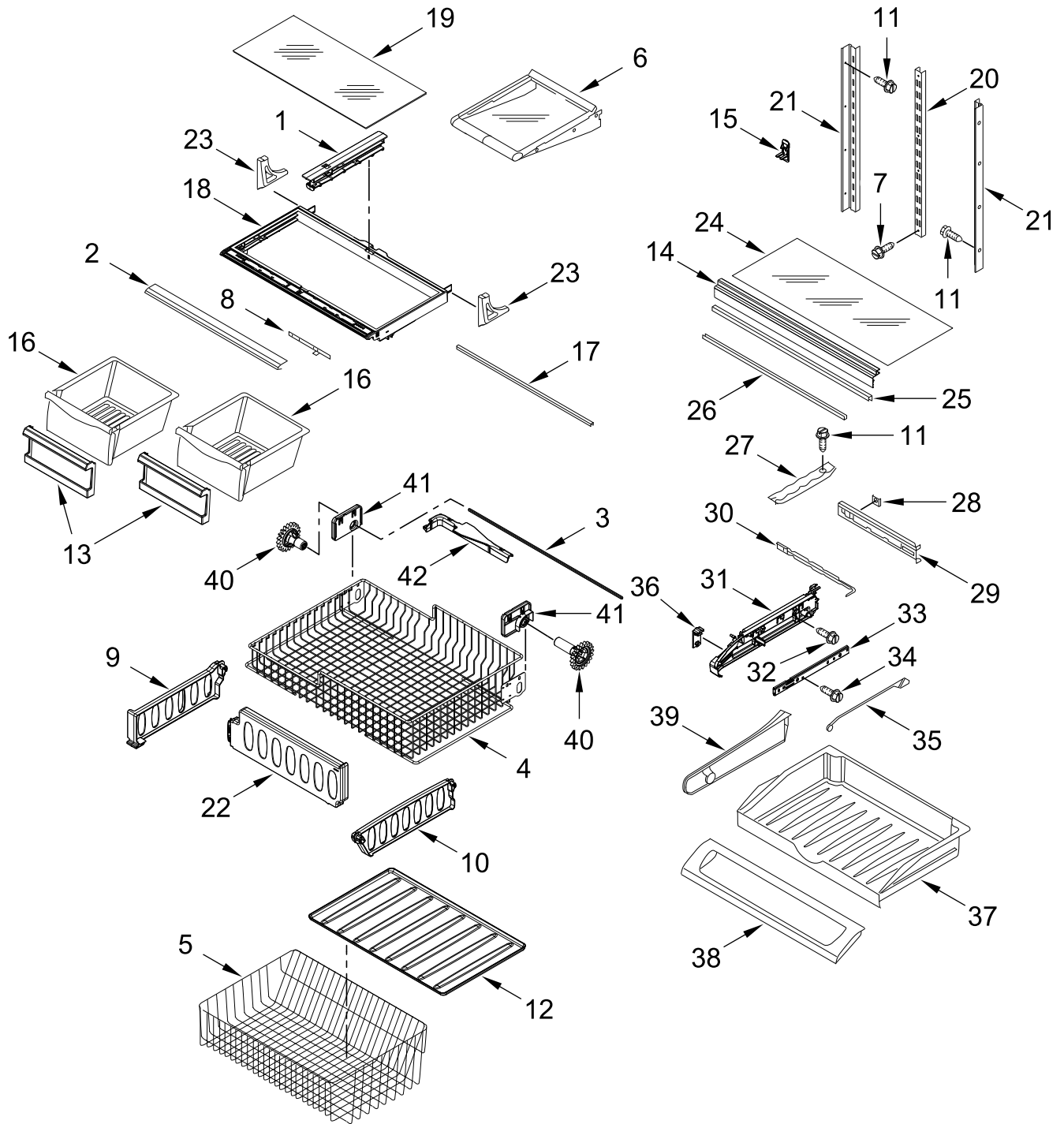
UNIT PARTS



UNIT PARTS

<u>Illus.</u> <u>No.</u>	<u>Part No.</u>	<u>Description</u>	<u>Illus.</u> <u>No.</u>	<u>Part No.</u>	<u>Description</u>	<u>Illus.</u> <u>No.</u>	<u>Part No.</u>	<u>Description</u>
1	12992301	Screw	19	W10281329	Clip, Drier	28	W11332031	Compressor (Also Order the Following Lokring Parts)
2	12825803	Blade, Fan	20	W11337772	Tray, Drip			
3	W11604797	Basepan	21	W10622099	Extension, Drain Tube			
4	12990511	Screw	22	W11515436	Assembly, Evaporator and Heater (Also Order the Following Lokring Parts)	W11504416	8.5/6 NR MS 00 (Suction Tube to Compressor)	
5	W10350564	Capacitor				W11504431	7/5 NR MS 00 (Discharge Tube to Compressor)	
6	W11566600	Tube, Discharge						
7	W11305540	Harness, Evaporator Heater						
8	W10655367	Pan, Drain		W11504423	8/2 NR AL 00 (Capillary Tube to Evaporator)	W11506621	6 NK MS 00 (Charging Tube to Compressor)	
9	W10622701	Screw						
10	W11287564	Heater, Defrost						
11	W11379613	Strap, Bale		W11504415	8.5/8 NR MS 00 (Suction Line to Evaporator)	W11506635	Tube, Charging (1/4 in w/ Schrader Valve)	
12	W11359985	Device, Start						
13	W10137529	Grommet, Condenser						
14	W10236396	Strap, Compressor	23	W11244122	Gasket, Foam	29	10623002	Clip, Evaporator
15	12477102	Roller	24	W11505534	Motor, Condenser Fan	30	12477202	Axle, Roller
16	12992101	Screw	25	W11380964	Clip, Heater	31	W11463236	Shroud, Condenser Fan
17	10835903	Grommet	26	W11654036	Harness, Unit (Includes Power Cord)	32	2319835	Grommet, Condenser
18	W11353138	Condenser (Also Order the Following Lokring Parts)	27	W11353156	Drier (Also Order the Following Lokring Parts)	33	W10815863	Clip, Condenser
	W11506623	5 NK MS 00 (Discharge Tube to Condenser)				34	2169104	Insulation, Sound Deadening
	W11504432	6/5 NR MS 00 (Heat Loop to Condenser)		W11504445	5/4 NR MS 00 (Heat Loop to Drier)	35	W11566588	Tube, Suction
				W11504447	5/1.8 NR MS 00 (Capillary Tube to Drier)	36	W10303521	Sleeve REFRIGERANT CHARGE 44 grams (R600a)

SHELF PARTS



SHELF PARTS

<u>Illus. No.</u>	<u>Part No.</u>	<u>Description</u>	<u>Illus. No.</u>	<u>Part No.</u>	<u>Description</u>	<u>Illus. No.</u>	<u>Part No.</u>	<u>Description</u>
1	W10671238	Rail, Center Crisper	16	12530505SP	Pan, Crisper	31		Endcap, Pantry
2	W10231343	Trim, Crisper	17	12227303WD	Brace, Crisper Cover		W11186157	Left Hand
3	W10802339	Shaft, Rack	18	W10671241	Frame, Crisper		W11185285	Right Hand
4	W11115252	Basket, Freezer (Upper)	19	12204822	Glass, Crisper	32	12990504	Screw
5	W11115780	Basket, Freezer (Lower)	20	W10273463	Ladder, Center	33	W10235370	Glide, Pantry
6	W10743546	Assembly, Shelf	21	W10251969	Ladder, Side	34	12990512	Screw
7	W10215666	Screw	22	W10311695	Divider, Basket (Upper)	35	13048201	Bar, Control
8	12530805SP	Slide, Humidity Control	23		Support, Crisper Frame	36	12655204	Knob, Temperature Control
9	W10241046	Divider, Basket (Upper)		12531001	Left Hand	37	W11427807	Drawer, Pantry
10	W10146440	Divider, Basket (Lower)		12531002	Right Hand	38	12656823	Lid, Pantry
11	12990513	Screw	24	12204820	Glass, Pantry	39	13048601SP	Divider, Pantry Drawer
12	W10316995	Tray, Lower Basket	25	W10528936	Support, Glass	40		Gear, Spur
13	12802302SP	Front, Crisper	26	W10783763	Brace, Crisper Frame		W10474716	Left Hand
14	13048801	Trim, Pantry Glass	27	12531901	Track, Deli Drawer		W10474715	Right Hand
15	12531802	Hook, Ladder	28	12656902	Gasket, Pantry	41		Mount, Gear
			29	13048301	Housing, Control		W10348259	Left Hand
			30	13048401	Slide, Temperature		W10348260	Right Hand
						42	W10149389N	Lift, Bail Arm

OPTIONAL PARTS

<u>Illus.</u> <u>No.</u>	<u>Part No.</u>	<u>Description</u>
		TOUCH-UP PAINT
W10134625		Apollo Grey
W10917540		Midnight Grey
		MISCELLANEOUS
212643		Sealer, Gum (4 Feet)
876370		Insulation (2 Pieces, 3" x 24" x 48")
876305		Insulation Kit (14 Pieces, 3" x 24" x 48")
978941		Insulation, Fiberglass (63 1/2" x 35 1/2" x 2 5/8")
505587		Sealer, Mastic (1 Qt)
503695		Cork, Sealer
542638		Grease, Silicone (1/2 Oz.)
833938		Kit, Terminal Connector
8003RP		Kit, Water Inlet