



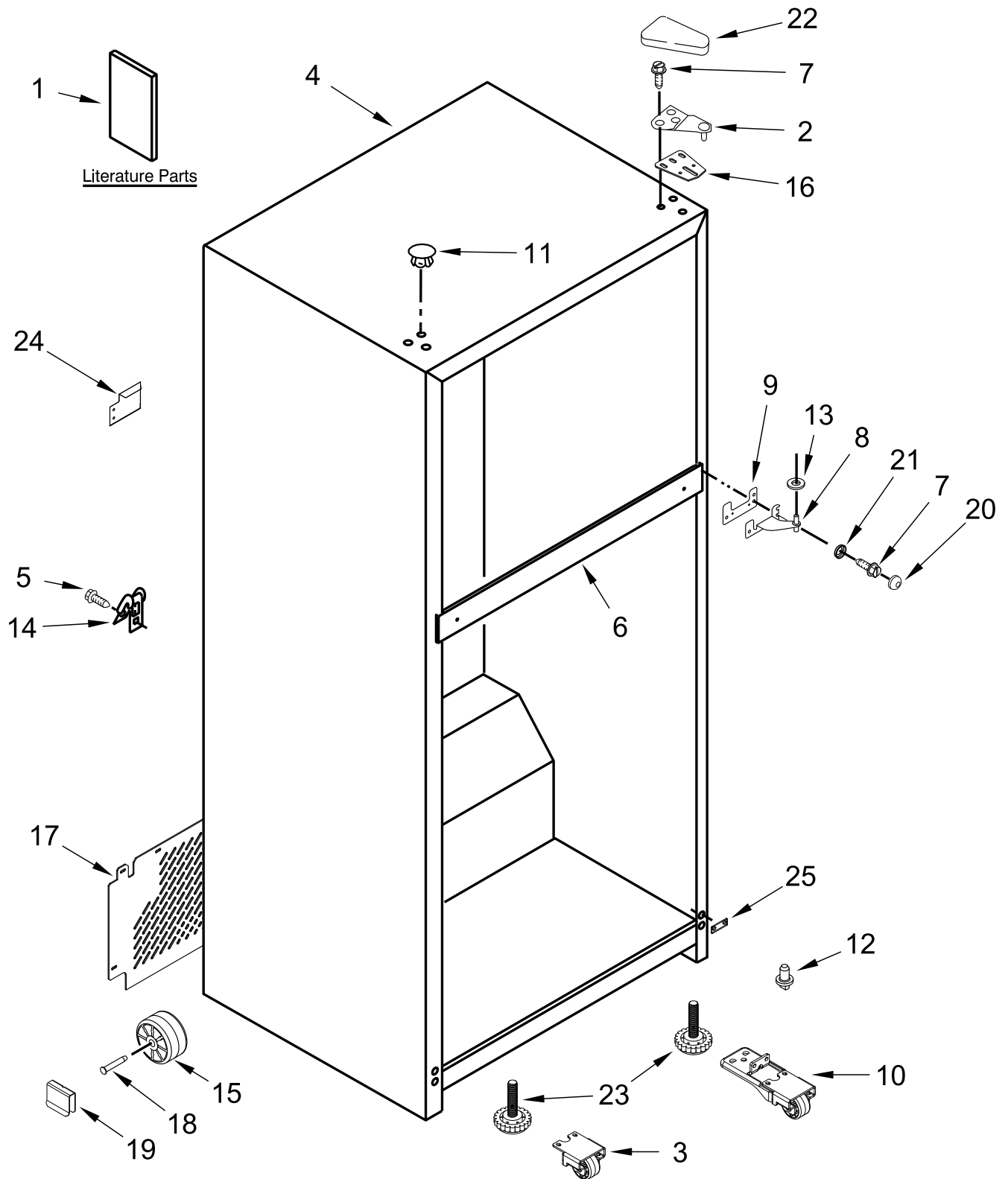
REFRIGERATOR

MODELS:

MRT118FFFH09 (White Ice)

MRT118FFFE09 (Black Ice)

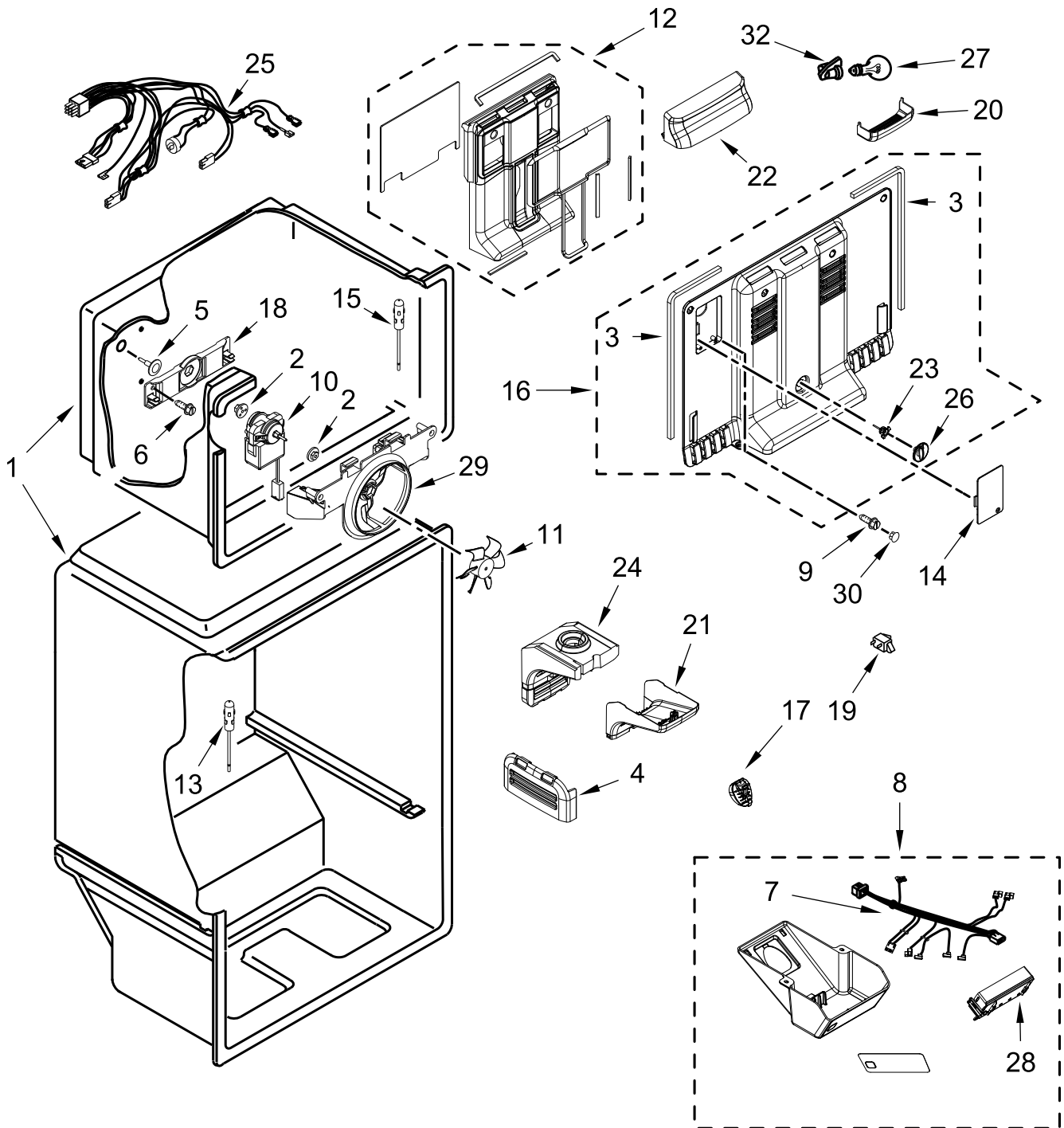
CABINET PARTS



CABINET PARTS

<u>Illus.</u> <u>No.</u>	<u>Part No.</u>	<u>Description</u>	<u>Illus.</u> <u>No.</u>	<u>Part No.</u>	<u>Description</u>	<u>Illus.</u> <u>No.</u>	<u>Part No.</u>	<u>Description</u>
1		Literature Parts	10	W10843861	Lower Hinge and Roller Assembly	19	2174706	Clip, Roller
	W11511780	Tech Sheet				20		Cap, Dome
	W11507956	Use and Care Guide	11		Plug, Hole		W10674771	White
	W11643996	Energy Guide		W10520304	White		W10679135	Black
2	2261963	Assembly, Top Hinge		W10520305	Black	21	W10674773	Cap, Washer Dome
3	W10842654	Assembly, Roller	12	W10638688	Hinge Pin	22		Cover, Hinge
4		Cabinet (Not Serviced)	13	489341	Washer, Plastic		2213360	White
5	489442	Screw	14	W11242280	Clamp, Power Cord		2213363	Black
6		Rail, Center (Not Serviced)	15	W10475495	Roller	23	W10671258	Leveler
7	489497	Screw	16		Shim, Top Hinge	24	W11458717	Access Cover, Valve
8	2254618	Hinge, Center		2221885	White	25	W11359355	Shim, Bottom Hinge
9	2183852	Shim, Hinge Center	17	W11307288	Cover, Unit			
			18	981126	Axle, Roller			

LINER PARTS

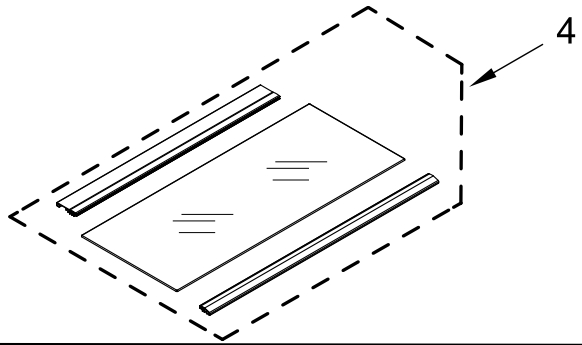


LINER PARTS

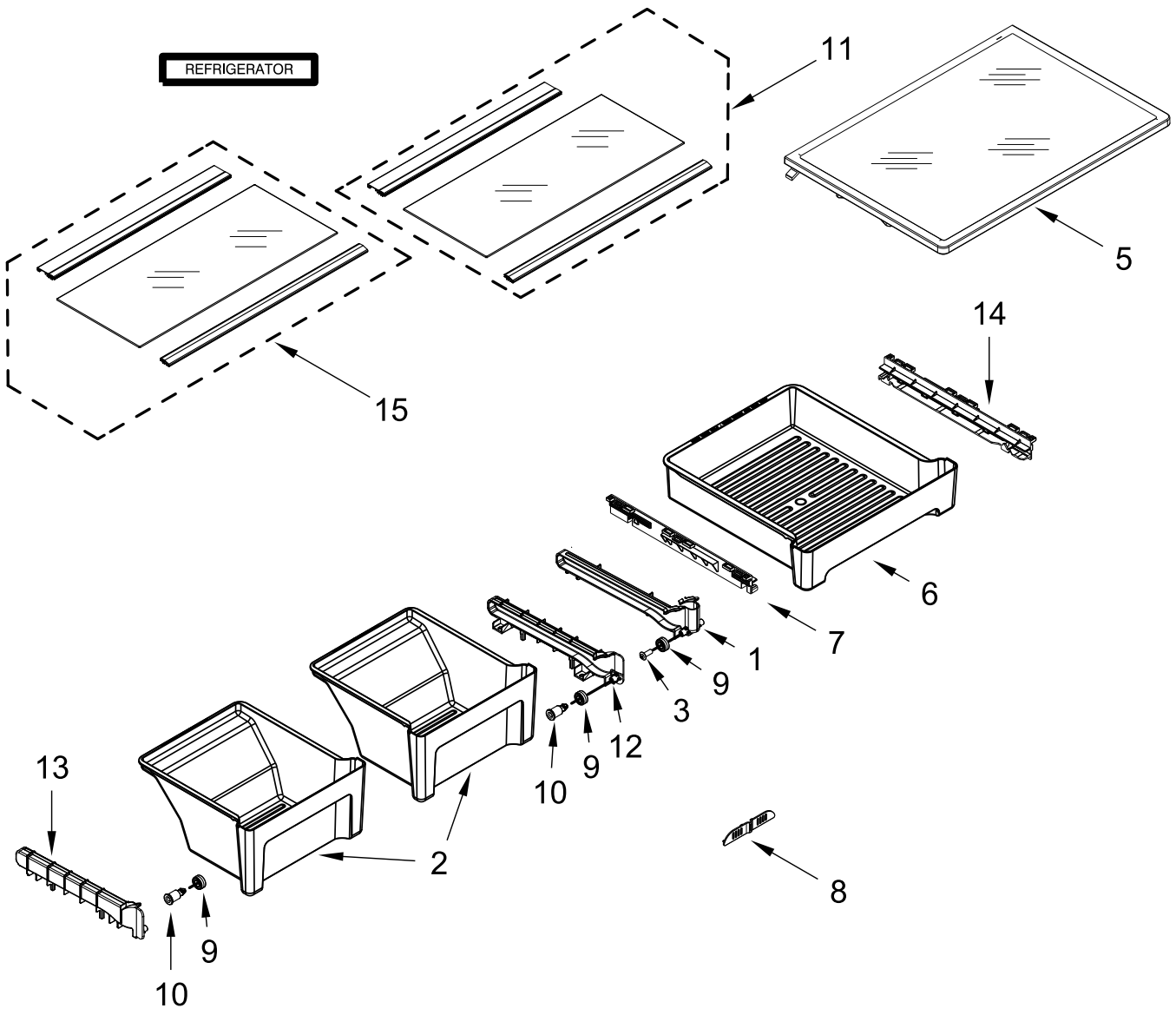
<u>Illus. No.</u>	<u>Part No.</u>	<u>Description</u>	<u>Illus. No.</u>	<u>Part No.</u>	<u>Description</u>	<u>Illus. No.</u>	<u>Part No.</u>	<u>Description</u>
1		Liner (Not Serviced)	12	W10676682	Assembly, Evaporator Plenum	23	W10570951	Baffle, Air Manual
2	2197380	Grommet	13	W11108173	Thermistor, Refrigerator	24	W10633587	Assembly, Air Diffuser
3	W10709194	Gasket, Evaporator Cover	14	W11341621	Cover, Hole	25	W11314499	Assembly, Evaporator Fan Wire (Includes Thermal Fuse)
4	W10848854	Cover, Air Filter	15	W10384183	Thermistor	26	W10570952	Knob, Air Control
5		Hole Plug	16	W11510096	Cover, Evaporator	27	W11160686	Lamp, LED
	941839	White	17	W11429584	Module, LED	28	W11476562	Control, Electronic
6	488208	Screw	18	2254454	Bracket, Evaporator Fan Rear	29	W10321162	Bracket, Fan Motor
7	W11203360	Wire Assembly, Control Box	19	W11514900	Switch, Light	30	W10487421	Cover, Screw
8	W11504960	Assembly, Control Box	20	W10313918	Lens, Light			
9	8281232	Screw	21	W10637058	Cover, Air Diffuser			
10	2315539	Motor, Evaporator Fan	22	W10313917	Housing, Freezer Lighting			
11	2163777	Fan Blade						

SHELF PARTS

FREEZER



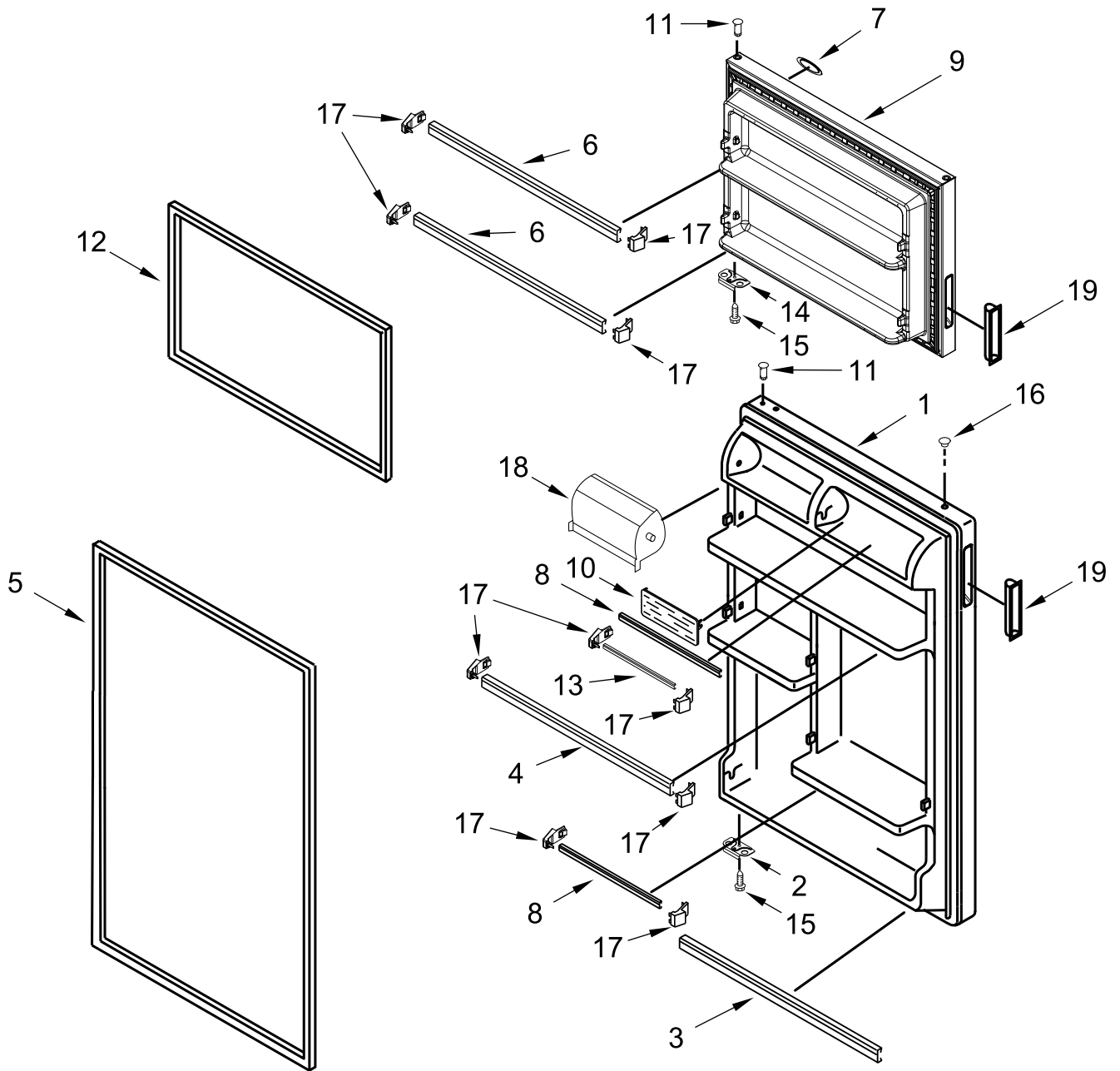
REFRIGERATOR



SHELF PARTS

<u>Illus.</u> <u>No.</u>	<u>Part No.</u>	<u>Description</u>	<u>Illus.</u> <u>No.</u>	<u>Part No.</u>	<u>Description</u>	<u>Illus.</u> <u>No.</u>	<u>Part No.</u>	<u>Description</u>
1	W11526406	Rail, Center Track	6	W10308848	Meat Pan	12	W11526405	Rail, Track (Right Hand)
2	W10668872	Assembly, Crisper Pan	7	W10468555	Rail, Track (Left Hand)	13	W11526404	Rail, Track (Left Hand)
3	3400065	Screw (Stainless)	8	W10356844	Control, Humidity	14	W10468556	Rail, Track (Right Hand)
4	W11553151	Assembly, Shelf (Freezer)	9	W10628713	Roller, Pan	15	W11553149	Assembly, Shelf
5	W10704017	Assembly, Shelf	10	W10628712	Axle, Roller			
			11	W11553148	Assembly, Shelf (Crisper)			

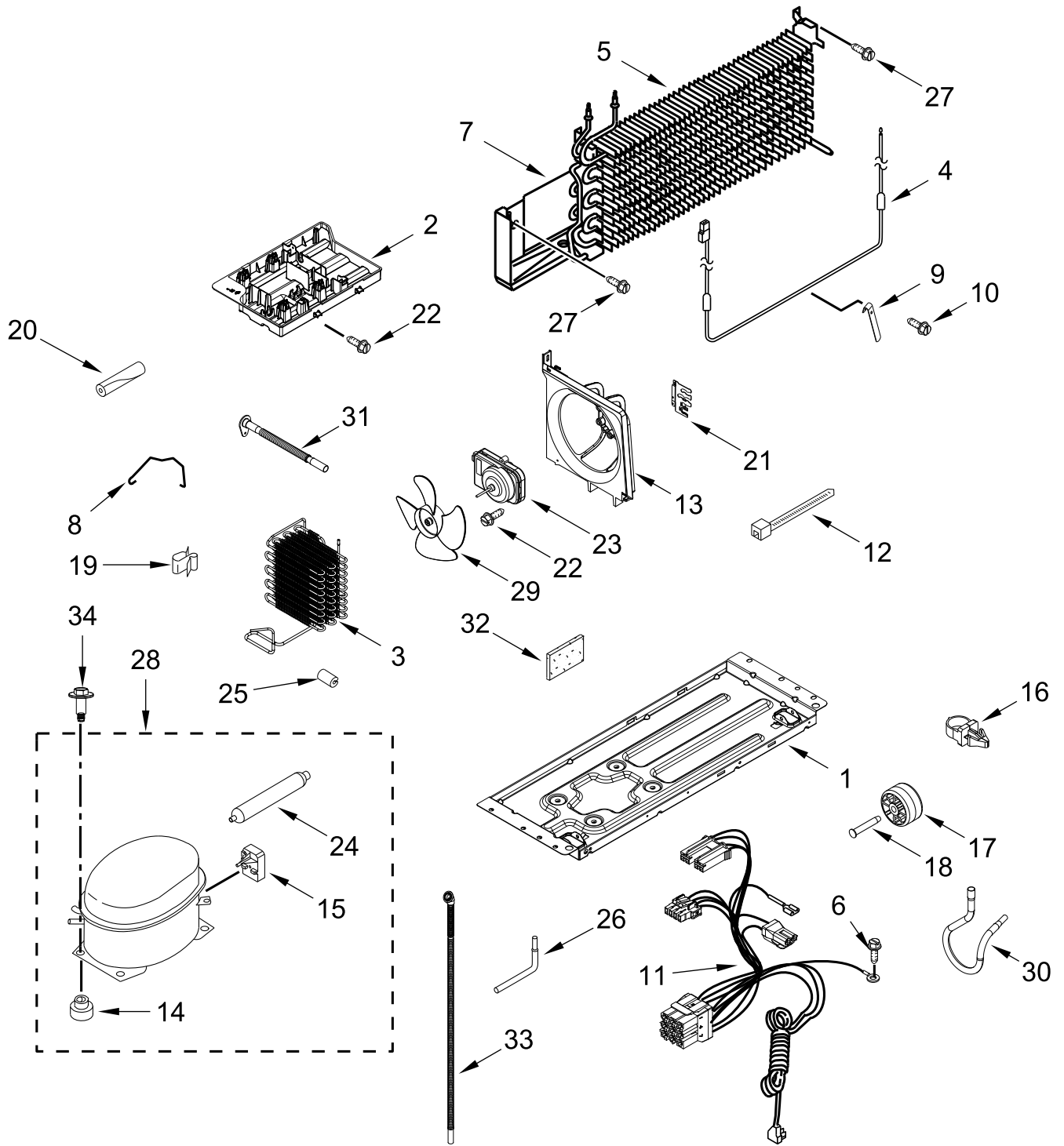
DOOR PARTS



DOOR PARTS

<u>Illus. No.</u>	<u>Part No.</u>	<u>Description</u>	<u>Illus. No.</u>	<u>Part No.</u>	<u>Description</u>	<u>Illus. No.</u>	<u>Part No.</u>	<u>Description</u>
1		Refrigerator Door (Includes Door Gasket)	7	W10612925	Badge	13	W10719701	Trim, Shelf Door
	W10680726	White	8	W10719700	Trim, Door	14	2189202	Bracket, Door Stop
	W10680725	Black	9		Freezer Door (Includes Door Gasket)	15	488921	Screw
2	W10638692	Bracket, Door Stop		W10680729	White	16		Plug, Hole
3	W10719703	Trim, Door		W10680728	Black		2212648	White
4	W10678772	Trim, Door	10	2188234	Door, Flip Up		2212651	Black
5		Gasket, Door	11	2262054	Thimble	17	2156003	Endcap, Trim
	W10638676	White	12		Gasket, Door	18	2218113	Door, Compartment
	W10678768	Black		W10638675	White	19		Handle, Cup
6	W10719702	Trim, Door		W10667843	Black		W10352523	White
							W11374422	Black

UNIT PARTS



UNIT PARTS

<u>Illus.</u> <u>No.</u>	<u>Part No.</u>	<u>Description</u>	<u>Illus.</u> <u>No.</u>	<u>Part No.</u>	<u>Description</u>	<u>Illus.</u> <u>No.</u>	<u>Part No.</u>	<u>Description</u>
1	W10624648	Support Plate, Compressor	11	W11238433	Harness, Unit	27	489442	Screw
2	W10633582	Tray, Evaporator	12	2263990	Tie, Wire	28	W11393974	Compressor (Also Order the Following Lokring Parts)
3	W11290570	Condenser (Also Order the Following Lokring Parts)	13	W11438498	Bracket, Fan		W11504415	8.5/8 NR MS 00 (Suction Tube to Compressor)
	W11504445	5/4 NR MS 00 (High Side to Condenser)	14	W10806346	Grommet, Compressor		W11504431	7/5 NR MS 00 (High Pressure Side to Compressor)
	W11506623	5 NK MS 00 (Suction Line to Condenser)	15	W11359381	Device, Combination Start (Start Relay and Overload)		W11506619	8 NK MS 00 (Process Tube to Compressor)
4	W11340898	Heater, Defrost	16	2219077	Clip, Harness	29	W10817071	Blade, Fan
5	W11488141	Assembly, Evaporator (Also Order the Following Lokring Parts)	17	W10475495	Roller	30	W11361071	Tube, Suction
	W11504419	(8/7 NR AL 00) (Suction Line to Evaporator)	18	2179826	Axle, Rivet	31	W11383479	Extension, Drain Tube
	W11504449	4/2 NR AL 00 (Capillary Tube to Evaporator)	19	2326941	Clip, Wire	32	2215468	Insulation, Sound
			20	2264838	Sleeve	33	W10633573	Tube, Drain
6	488500	Screw	21	W11340313	Bracket, Evaporator	34	W10476309	Screw REFRIGERANT CHARGE 50 grams (R600a)
7	W11377819	Heat Shield	22	W10622701	Screw			
8	W11488142	Strap, Bale	23	W10909387	Motor, Condenser Fan			
9	W11399989	Heat Probe	24	W10805035	Drier (Service Drier Without Dye) (Also Order the Following Lokring Parts)			
10	489478	Screw		W11504445	5/4 NR MS 00 (Heat Loop to Drier)			
				W11504449	4/2 NR AL 00 (Capillary Tube to Drier)			
			25	2319835	Grommet, Condenser			
			26	2174739	Tube, Process			

OPTIONAL PARTS

<u>Illus.</u> <u>No.</u>	<u>Part No.</u>	<u>Description</u>	<u>Illus.</u> <u>No.</u>	<u>Part No.</u>	<u>Description</u>	<u>Illus.</u> <u>No.</u>	<u>Part No.</u>	<u>Description</u>
		Following Parts Not Illustrated		606755	Bag			Important: The spray paint is not to be used where the paint may make contact with the door gaskets. PAINT, BULK (1 qt.)
978941		Insulation, Fiberglass (63 1/2" x 35 1/2" x 2 5/8")		833938	Kit, Terminal Connector			
212643		Sealer, Gum (4 Feet)		503695	Cork, Sealer			
479502		Tape, Vinyl (3/4 x 108")		8003RP	Kit, Water Inlet			
876305		Insulation Kit (14 Pieces, 3" x 24" x 48")			PAINT, TOUCH-UP (1/2oz.)	799344	White (Uncut)	
876370		Insulation (2 Pieces, 3" x 24" x 48")		72017	White	4392900	Biscuit/Bisque	
876029		Kit, Foam Slab (30" x 32 1/2" x 1 1/2")		72032	Black		TORX SCREW WRENCH	
505587		Sealer, Mastic (1 Qt)		4392899	Biscuit and Bisque	1117510	Torx Key	
511873		White Porcelain (2 oz.)		W10134625	Apollo Grey		FIELD INSTALLABLE ICE MAKER	
542638		Grease, Silicone (1/2 Oz.)			PAINT, PRESSURIZED SPRAY (12 oz.)	W11510803	Complete Icemaker Kit (Includes Valve & Ice Bin)	
542639		Cement, Alumilastic (1 1/4 Oz.)		350942	White Primer			
				350939	Enamel, Black			
				350930	White			
				4392901	Biscuit and Bisque			