

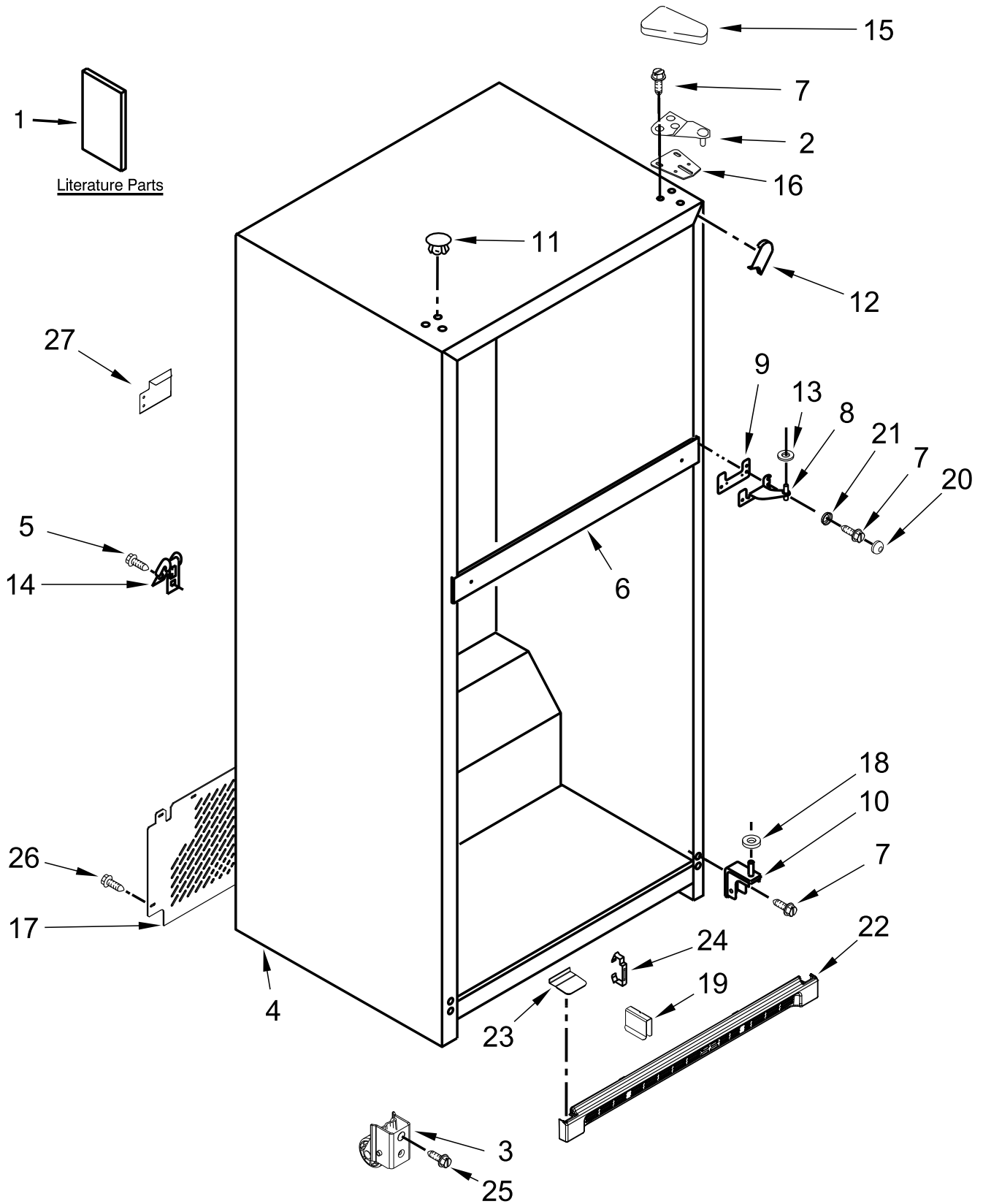


Top Mount Refrigerator

MODELS:

MRT311FFFH01 (White)
MRT311FFFE01 (Black)
MRT311FFFZ01 (Stainless)

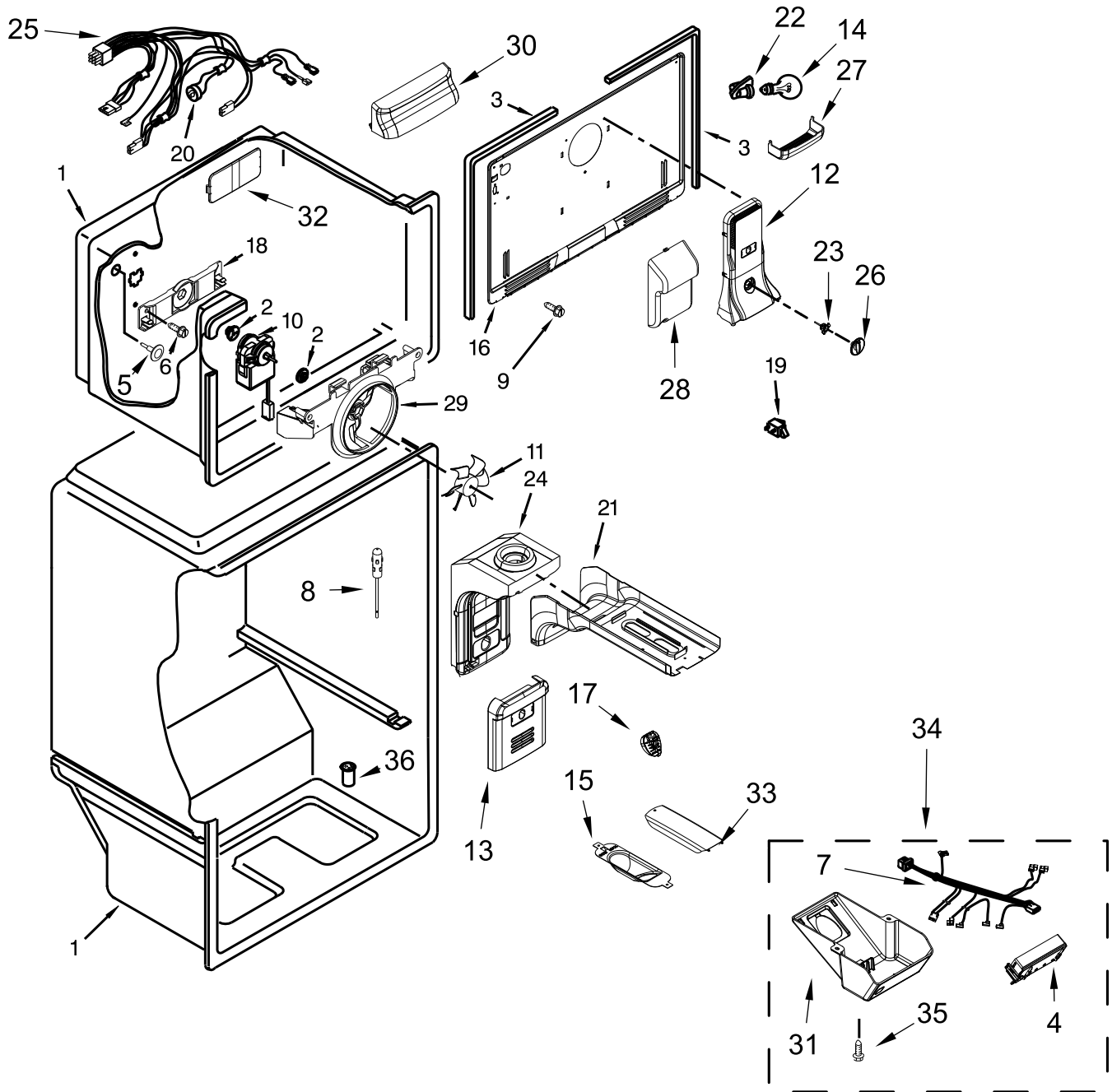
CABINET PARTS



CABINET PARTS

<u>Illus.</u> <u>No.</u>	<u>Part No.</u>	<u>Description</u>	<u>Illus.</u> <u>No.</u>	<u>Part No.</u>	<u>Description</u>	<u>Illus.</u> <u>No.</u>	<u>Part No.</u>	<u>Description</u>
1		Literature Parts	11		Plug, Hole	19	2174706	Clip, Roller
	W10737602	Tech Sheet		W10520304	White	20		Cap, Dome
	W10856273	Use & Care Guide		W10520305	Black		W10674771	White
2	2261963	Assembly, Top Hinge		W10520307	Grey		W10679135	Black
3	W10725960	Assembly, Roller	12		Filler, Wrapper		W10679139	Grey
4		Cabinet (Not Serviced)		W11219639	White	21	W10674773	Cap, Washer Dome
5	489442	Screw		W11219641	Black	22		Grille
6		Rail, Center (Not Serviced)		W11219642	Grey		W10592141	White
7	489497	Screw	13	489341	Washer, Plastic		W10592142	Black
8	2254618	Hinge, Center	14	W11242280	Clamp, Power Cord		W10592144	Grey
9	2183852	Shim, Hinge Center	15		Cover, Hinge	23		Cover, Toe Grille
10	2254473	Hinge, Bottom		2213360	White		W10600071	White
				2213363	Black		W10468609	Black
				2254510	Grey		W10468611	Grey
			16		Hinge Shim	24	2254385	Clip, Grille
				2221885	White	25	W10142287	Screw
			17	W11307290	Cover, Unit	26	2262176	Screw
			18	487576	Washer, Plastic	27	W11458717	Access Cover, Valve

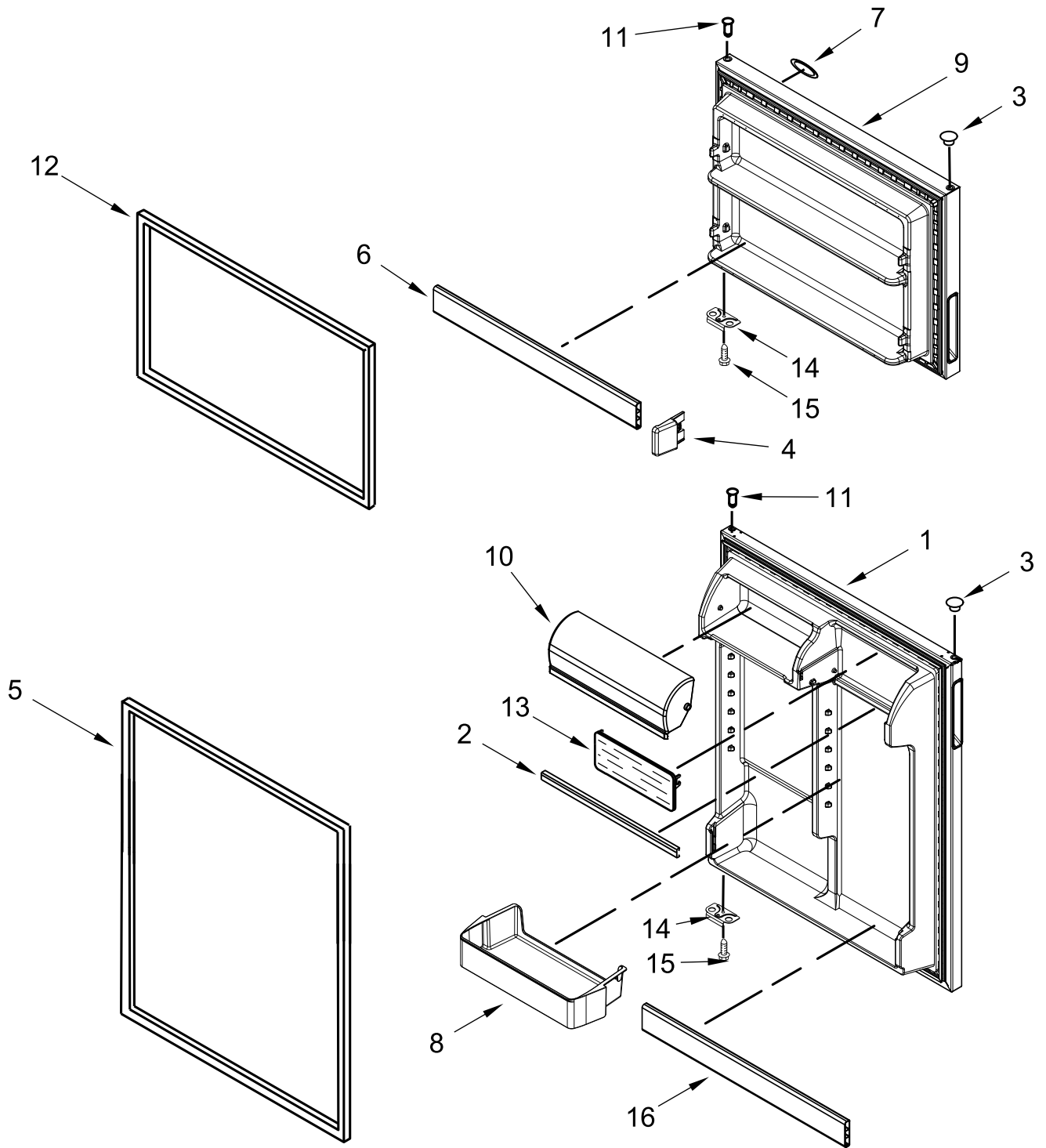
LINER PARTS



LINER PARTS

<u>Illus. No.</u>	<u>Part No.</u>	<u>Description</u>	<u>Illus. No.</u>	<u>Part No.</u>	<u>Description</u>	<u>Illus. No.</u>	<u>Part No.</u>	<u>Description</u>
1		Liner (Not Serviced)	12	W10707377	Air Tower, FC	25	W11314510	Assembly, Freezer Wire
2	2197380	Grommet	13	W10609502	Cup, Air Diffuser	26	W10570952	Knob, Air Control
3	2254360	Gasket, Evaporator Cover	14	W11160686	Lamp, LED	27	W10313918	Lens, Light
4	W11476563	Control, Adaptive Defrost	15	W10300161	Shield, Light	28	W11341625	Cover, Water Tube
5		Hole Plug	16	W10617507	Cover, Evaporator	29	W10321162	Bracket, Fan Motor
	941839	White	17	W11429584	Module, LED	30	W10313917	Housing, Freezer Lighting
6	488208	Screw	18	2254454	Bracket, Evaporator Fan Rear	31	W10841668	Box, Control
7	W11203362	Assembly, Control Box Wire	19	W10847853	Switch, Light	32	W10336009	Cup, Screw
8	W10384183	Thermistor	20		Bi-Metal Defrost (Not Serviced)	33	W10348614	Cover, Light
9	W10142283	Screw (White)	21	W10305175	Cover, Air Diffuser	34	W11476574	Box, Control (Includes Overlay)
10	2315539	Motor, Evaporator Fan	22	W10440814	Socket, Light	35	489174	Screw
11	2200509	Blade, Fan	23	W10662269	Baffle, Air Manual	36	2210509	Valve, Release
			24	W10883330	Assembly, Multiflow			

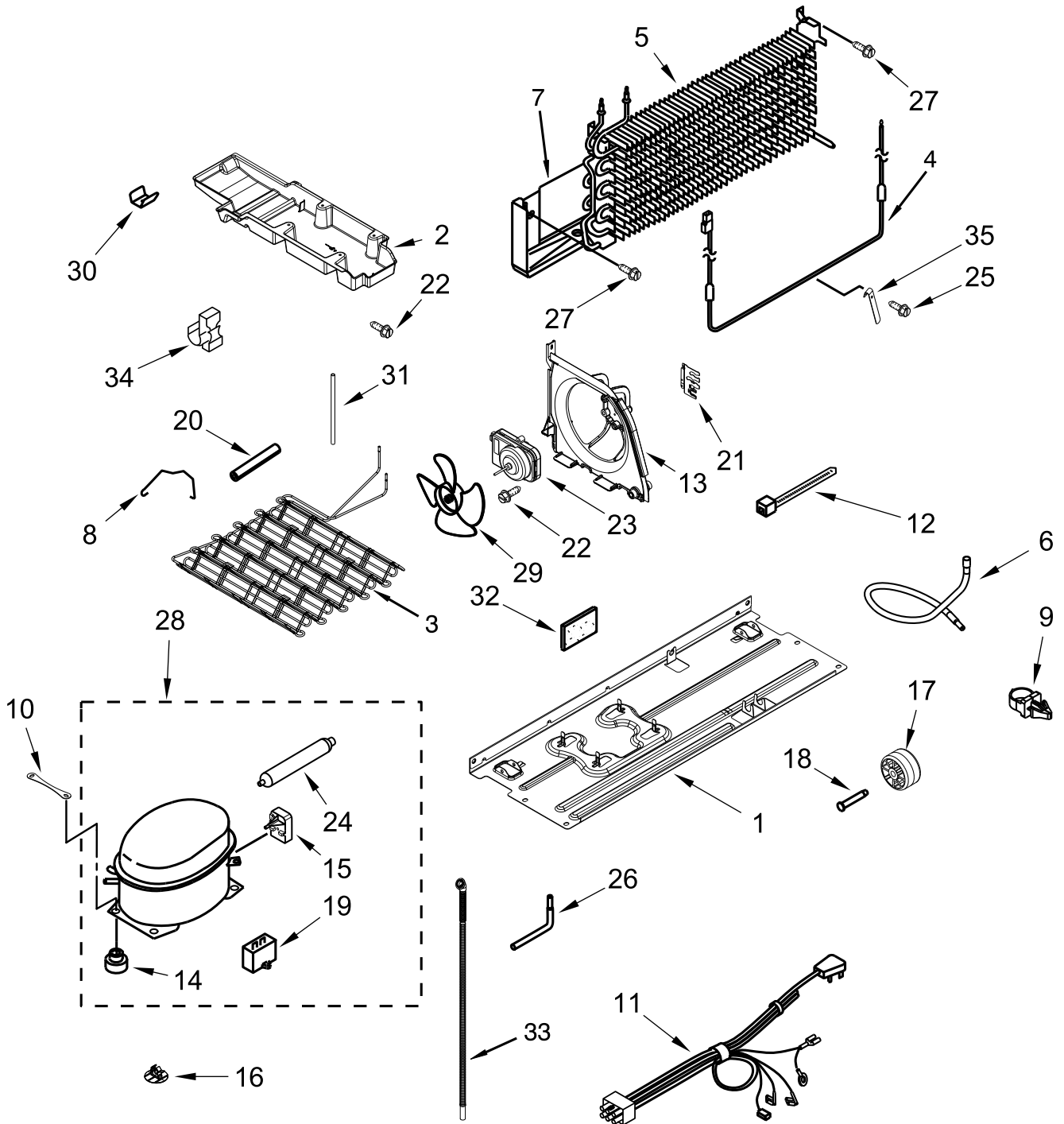
DOOR PARTS



DOOR PARTS

<u>Illus. No.</u>	<u>Part No.</u>	<u>Description</u>	<u>Illus. No.</u>	<u>Part No.</u>	<u>Description</u>	<u>Illus. No.</u>	<u>Part No.</u>	<u>Description</u>
1		Refrigerator Door (Includes Door Gasket)	5		Gasket, Door	10	W10385897	Door, Compartment
	W10668765	White		W11406596	White	11	2314293	Thimble
	W10668767	Black		W11406604	Black	12		Gasket, Door
	W11097000	Stainless		W10171475	Grey		W11406593	White
2	W10720455	Trim, Door	6	W11230196	Trim, Door		W11406601	Black
3		Plug, Hinge Sleeve	7	W10612925	Badge		W10171479	Grey
	2212648	White	8	W10582649	Bin, Door	13	2188236	Door, Flip Up
	2212651	Black	9		Freezer Door (Includes Door Gasket)	14	2189202	Bracket, Door Stop
	2254517	Grey		W10668769	White	15	489276	Screw
4	2156003	Endcap, Trim		W10668770	Black	16	W11230195	Trim, Door
				W11097006	Stainless			

UNIT PARTS

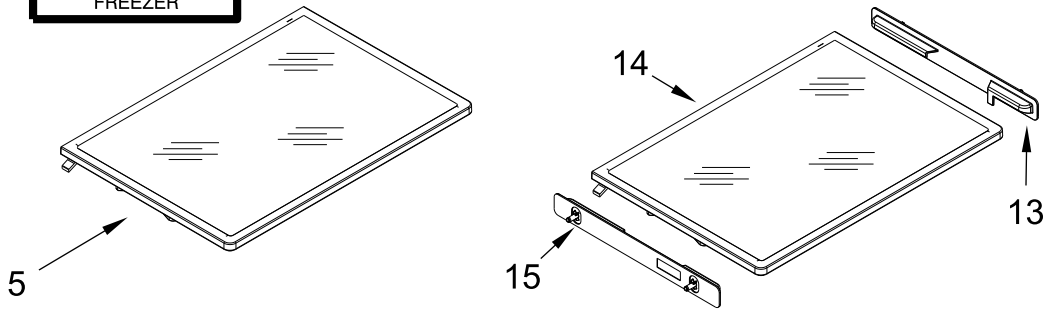


UNIT PARTS

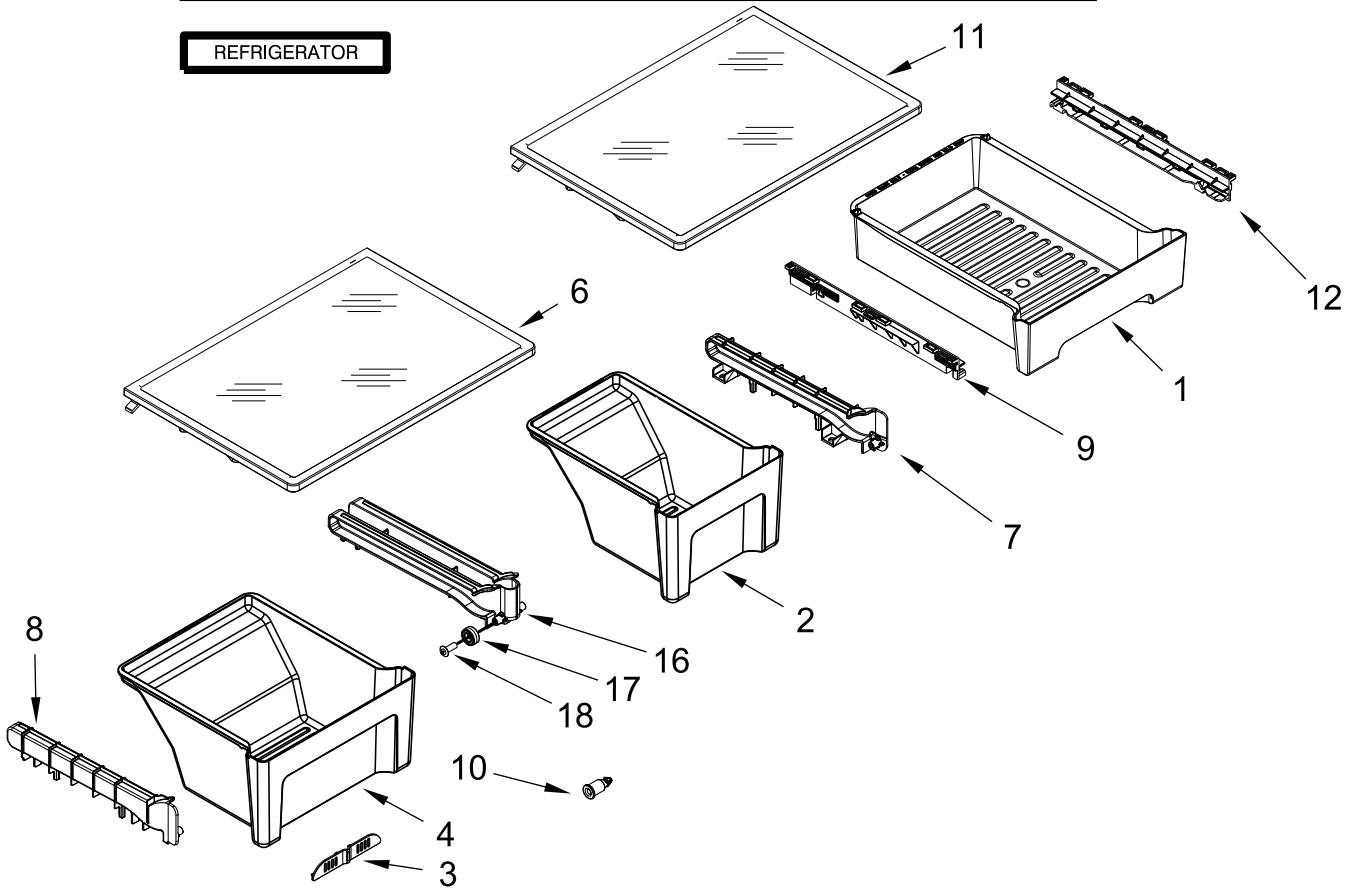
<u>Illus.</u> <u>No.</u>	<u>Part No.</u>	<u>Description</u>	<u>Illus.</u> <u>No.</u>	<u>Part No.</u>	<u>Description</u>	<u>Illus.</u> <u>No.</u>	<u>Part No.</u>	<u>Description</u>
1	W11396825	Baseplate	12	2263990	Tie, Wire	28	W11332033	Compressor (Also Order the Following Lokring Parts)
2	W10802027	Tray, Drain	13	W11509373	Bracket, Condenser Fan		W11506619	8 NK MS 00 (Suction Tube to Compressor)
3	W10609393	Condenser (Also Order the Following Lokring Parts)	14	W10806346	Grommet, Compressor		W11574641	Connector (7 mm to 4.5 mm, Brass) (High Pressure Side to Compressor)
	W11574641	Connector (7 mm to 4.5 mm, Brass) (High Side to Condenser)	15	W11359381	Device, Combination Start (Start Relay and Overload)		W11506619	8 NK MS 00 (Process Tube to Compressor)
	W11506624	(4 NK MS 00) (Suction Line to Condenser)	16	W10815861	Clip, Bottom Cover		W11506619	8 NK MS 00 (Process Tube to Compressor)
4	W11340898	Heater, Defrost	17	W10475495	Roller			
5	W11282685	Assembly, Evaporator (Also Order the Following Lokring Parts)	18	2179826	Axle, Rivet			
	W11504450	4/1.8 NR MS 00 (Capillary Tube to Evaporator)	19	W10590083	Capacitor	29	W10817071	Blade, Fan
	W11506619	8 NK MS 00 (Suction Line to Evaporator)	20	2161302	Sleeve	30	W10248621	Clip, Condenser
6	W11518248	Tube, Suction	21	W11340313	Bracket, Evaporator	31	W10519112	Valve, Drain
7	W11377819	Heat Shield	22	488208	Screw	32	2215468	Insulation, Sound
8	W11495051	Strap, Bale	23	W10909387	Motor, Condenser Fan	33	W10475011	Tube, Drain
9	2219077	Clip, Harness	24	W10805035	Drier (Service Drier Without Dye) (Also Order the Following Lokring Parts)	34	2326941	Clip, Wire
10	W10236396	Strap, Compressor		W11504445	5/4 NR MS 00 (Heat Loop to Drier)	35	W11399989	Heat Probe REFRIGERANT CHARGE 47 grams (R600A)
11	W11425741	Assembly, Unit Wire		W11504447	5/1.8 NR MS 00 (Capillary Tube to Drier)			
			25	489478	Screw			
			26	2174739	Tube, Process			
			27	489442	Screw			

SHELF PARTS

FREEZER



REFRIGERATOR



SHELF PARTS

<u>Illus.</u> <u>No.</u>	<u>Part No.</u>	<u>Description</u>	<u>Illus.</u> <u>No.</u>	<u>Part No.</u>	<u>Description</u>	<u>Illus.</u> <u>No.</u>	<u>Part No.</u>	<u>Description</u>
1	W10308849	Pan, Meat	8	W10694149	Track Rail, Left Hand	14	W10601431	Shelf, Freezer Glass
2	W10662133	Pan, Crisper	9	W10468555	Rail, Track (Left Hand)	15	W11395919	Support, Freezer Shelf (Left Side)
3	W10356844	Control, Humidity	10	W10628712	Axle, Roller	16	W10694150	Rail, Center Track
4	W10663427	Pan, Crisper 16"	11	W10579374	Assembly, Shelf	17	W10628713	Roller, Pan
5	W11167837	Assembly, Shelf Crisper	12	W10468556	Rail, Track (Right Hand)	18	3400065	Screw (Stainless)
6	W11167836	Assembly, Shelf RC	13	W11395921	Support, Freezer Shelf (Right Side)			
7	W10694151	Track Rail, Right Hand						

OPTIONAL PARTS

<u>Illus. No.</u>	<u>Part No.</u>	<u>Description</u>	<u>Illus. No.</u>	<u>Part No.</u>	<u>Description</u>	<u>Illus. No.</u>	<u>Part No.</u>	<u>Description</u>
		FOLLOWING PARTS NOT ILLUSTRATED						
	978941	Insulation, Fiberglass (63 1/2" x 35 1/2" x 2 5/8")		W10668817	Door Reversal Kit, White Model		4392901	Biscuit/Bisque Important: The spray paint is not to be used where the paint may make contact with the door gaskets.
	212643	Sealer, Gum (4 Feet)		W10669081	Door Reversal Kit, Black Model			
	479502	Tape, Vinyl (3/4 x 108")		W10669082	Door Reversal Kit, Stainless Model			PAINT, BULK (1 qt.)
	876305	Insulation Kit (14 Pieces, 3" x 24" x 48")			FIELD INSTALLABLE ICE MAKER		799344	White (Uncut)
	876370	Insulation (2 Pieces, 3" x 24" x 48")		W11510803	Complete Icemaker Kit (Includes Valve & Ice Bin)		4392900	Biscuit/Bisque Important: The spray paint is not to be used where the paint may make contact with the door gaskets.
	505587	Sealer, Mastic (1 Qt)			PAINT, TOUCH-UP (1/2oz.)			
	511873	White Porcelain (2 oz.)		72017	White			ICE MAKER FIELD INSTALLABLE
	542638	Grease, Silicone (1/2 Oz.)		72032	Black			TORX SCREW WRENCH
	542639	Cement, Alumilastic (1 1/4 Oz.)		4392899	Biscuit/Bisque			
	606755	Bag		W10134625	Apollo Grey PAINT, PRESSURIZED SPRAY (12 oz.)		1117510	Torx Key
	833938	Kit, Terminal Connector		350942	White Primer			
	503695	Cork, Sealer		350939	Enamel, Black			
				350930	White			