

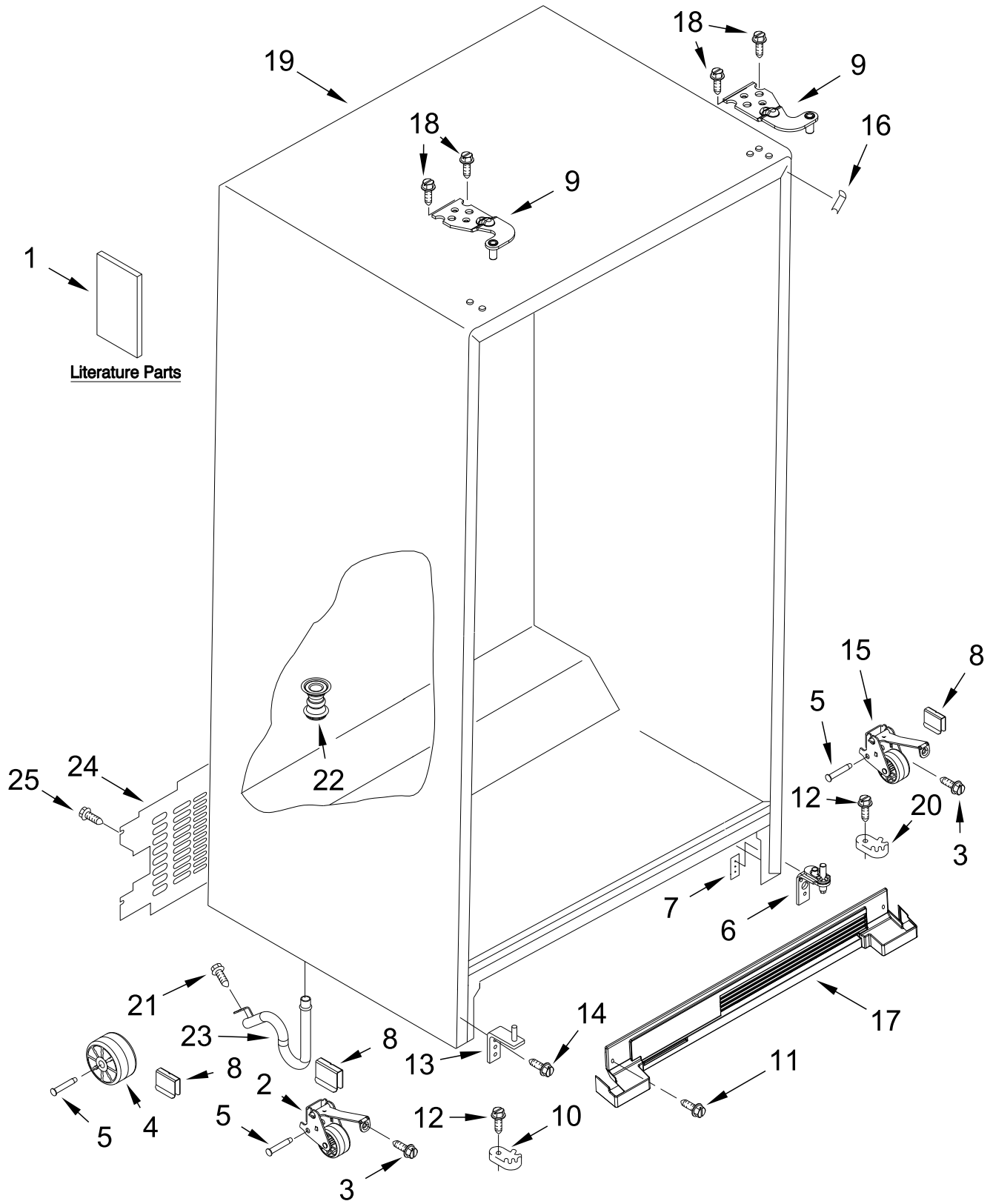


**REFRIGERATOR**

**MODELS:**

MSS25N4MKZ10 (Stainless)

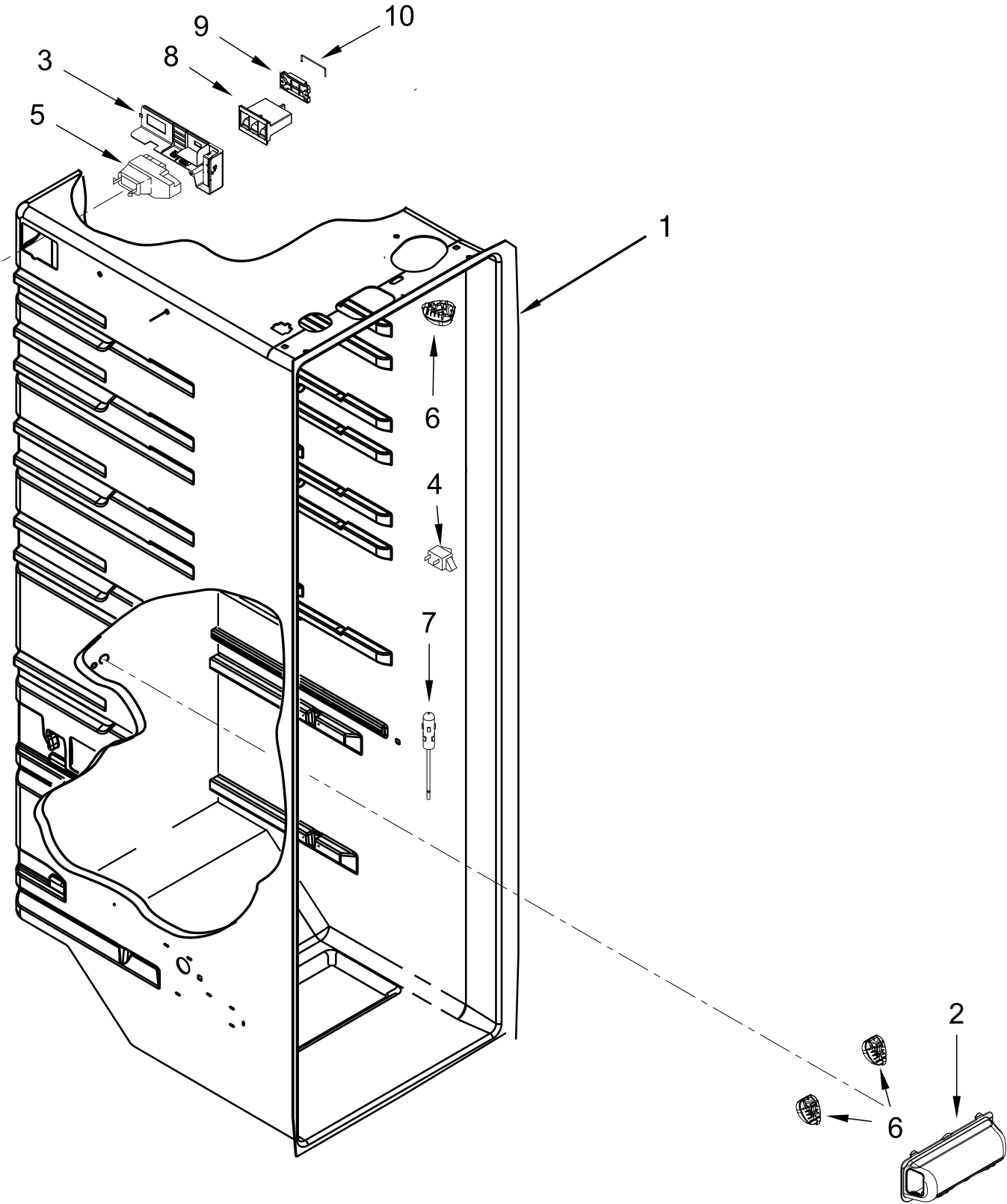
# CABINET PARTS



# CABINET PARTS

<u>Illus. No.</u>	<u>Part No.</u>	<u>Description</u>	<u>Illus. No.</u>	<u>Part No.</u>	<u>Description</u>	<u>Illus. No.</u>	<u>Part No.</u>	<u>Description</u>
1		Literature Parts	8	W11087168	Clip, Roller	19		Cabinet (Not A Servicable Part)
	W11439249	User Guide	9		Hinge, Top	20	W10905504	Closer, Lower Cam Door (Refrigerator)
		Tech Sheet		W11167022	Left Hand			
	W11641236	English		W11167023	Right Hand	21	489464	Screw
	W11641242	French	10	W11095731	Closer, Door (Freezer)	22	W11424515	Fitting, Drain
	W11647266	Energy Guide	11	W10308489	Screw (Grey)	23	W11404685	Extension, Drain Fitting
2		Assembly, Roller	12	W10142234	Screw	24	W11613261	Assembly, Cover
	W10304660	Left Hand	13	W11093938	Assembly, Bottom Hinge (Freezer)	25	W10141645	Screw
3	2152958	Screw	14	3400113	Screw			
4	2150304	Roller	15		Assembly, Roller			
5	2262072	Axle, Roller		W10304659	Right Hand			
6	W11097327	Assembly, Bottom Hinge (Refrigerator - Also includes Door Cam)	16		Filler, Wrapper			
				W11219642	Grey			
7	W11036715	Plate, Screw (Refrigerator)	17		Grille			
				W11226348	Grey			
	W10904380	Plate, Screw (Freezer)	18	W10290781	Screw, Hinge			

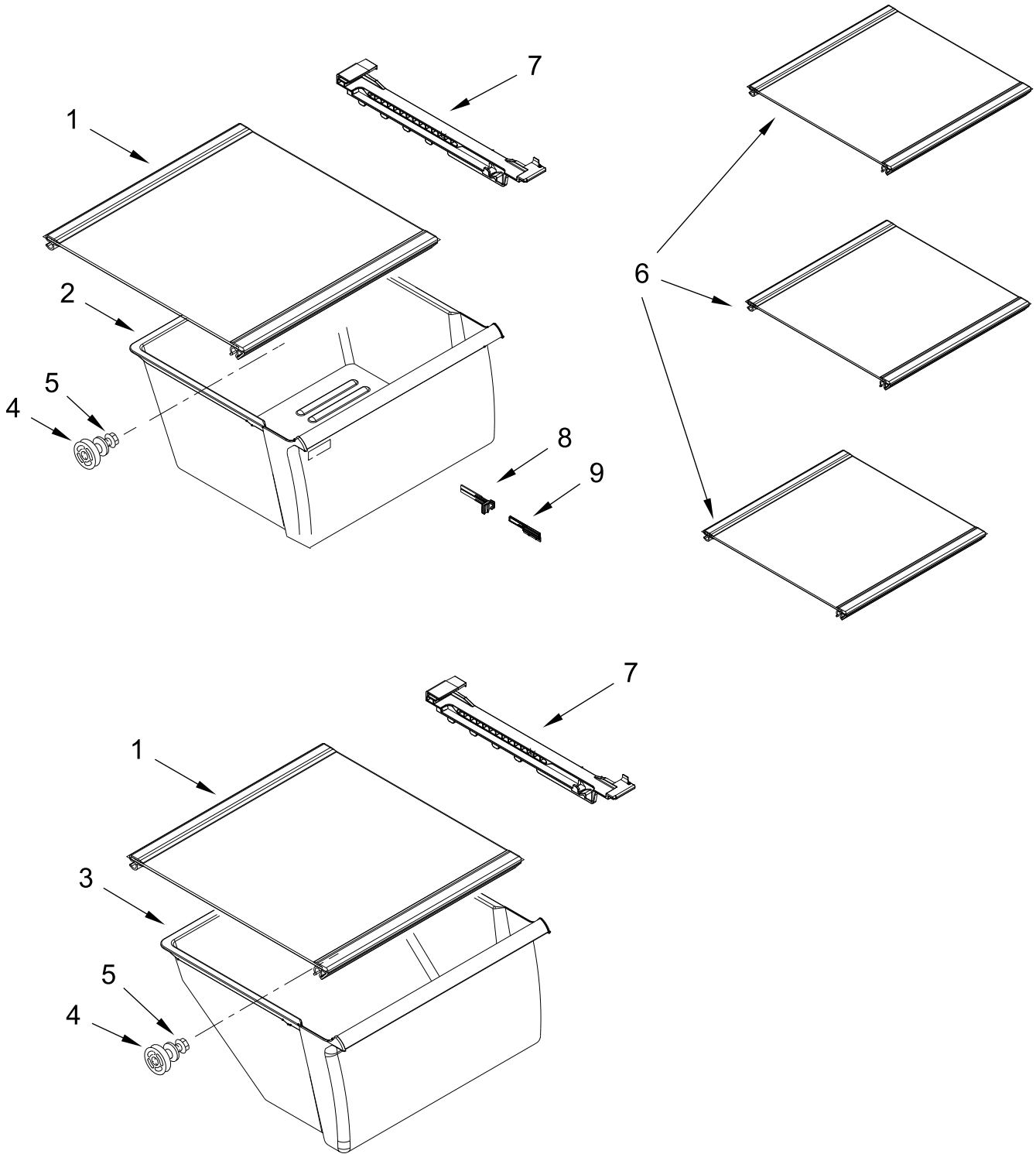
# REFRIGERATOR LINER PARTS



# REFRIGERATOR LINER PARTS

<u>Illus.</u> <u>No.</u>	<u>Part No.</u>	<u>Description</u>	<u>Illus.</u> <u>No.</u>	<u>Part No.</u>	<u>Description</u>	<u>Illus.</u> <u>No.</u>	<u>Part No.</u>	<u>Description</u>
1		Liner (Not A Serviceable Part)	4	W10847853	Switch, Rocker	9	W10901827	Slider
2	W10166130	Lens, Light (Includes Gasket)	5	W11264792	Diffuser, Air	10	W10901826	Connecting Rod
3	W11541364	Assembly, Control Box (Includes Electronic Control)	6	W11549780	Light Module, LED			
			7	W10384183	Thermistor			
			8	W10901825	Slider, Housing			

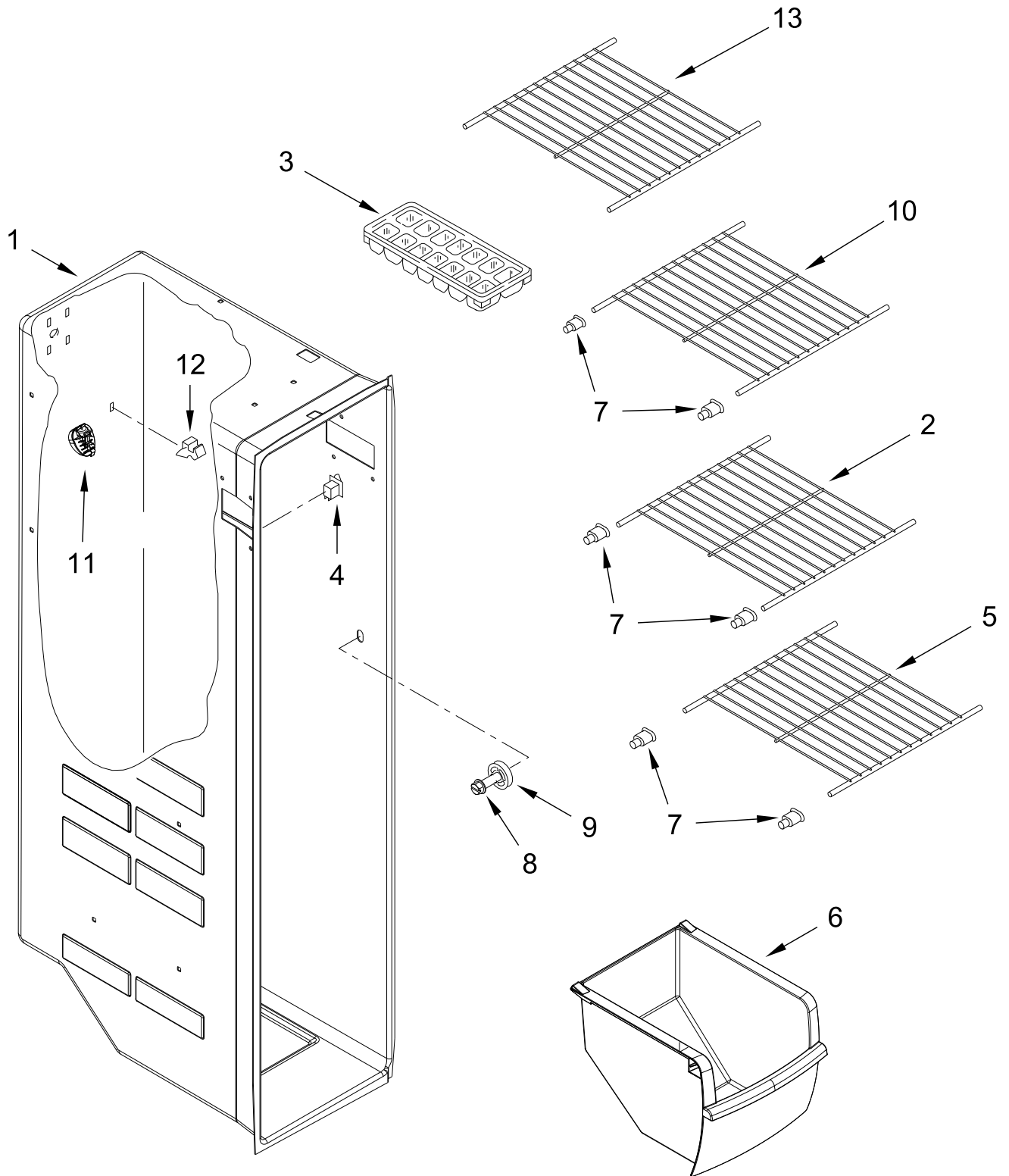
# REFRIGERATOR SHELF PARTS



# REFRIGERATOR SHELF PARTS

<u>Illus.</u> <u>No.</u>	<u>Part No.</u>	<u>Description</u>	<u>Illus.</u> <u>No.</u>	<u>Part No.</u>	<u>Description</u>
1	W11495083	Assembly, Cover	7	W11495059	Track, Holder (Left Hand)
2	W11046494	Pan, Crisper			
3	W11046495	Pan, Meat		W11495062	Track, Holder (Right Hand)
4	W10173126	Assembly, Shelf Stud			
5	W10191954	Screw	8	W10282883	Slide, Humidity
6	W11135529	Assembly, Shelf	9	W10282880	Housing, Humidity

# FREEZER LINER PARTS

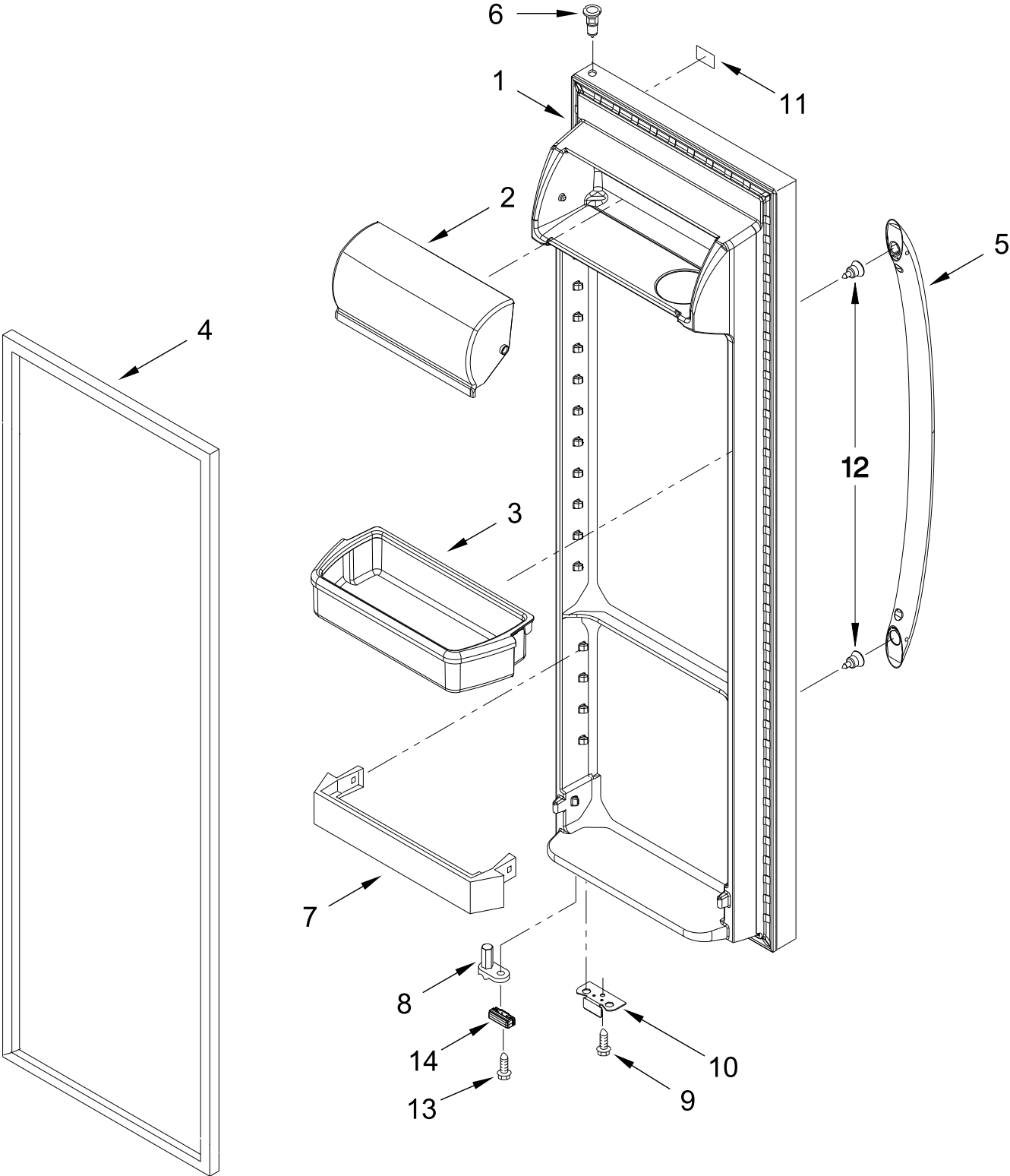




# FREEZER LINER PARTS

<u>Illus.</u> <u>No.</u>	<u>Part No.</u>	<u>Description</u>	<u>Illus.</u> <u>No.</u>	<u>Part No.</u>	<u>Description</u>	<u>Illus.</u> <u>No.</u>	<u>Part No.</u>	<u>Description</u>
1		Liner (Not A Serviceable Part)	5	W10318947	Shelf, Wire	10	W10318961	Shelf, Wire
2	W10318948	Shelf, Wire	6	W11427432	Bin, Freezer	11	W11549780	Light Module, LED
3	2151664	Tray, Ice	7	W10130299	Cup, Shelf	12	2315163	Clip, Air Duct
4	W10847853	Switch, Rocker	8	W10191954	Screw	13	W10318945	Shelf, Wire
			9	2196208	Assembly, Stud			

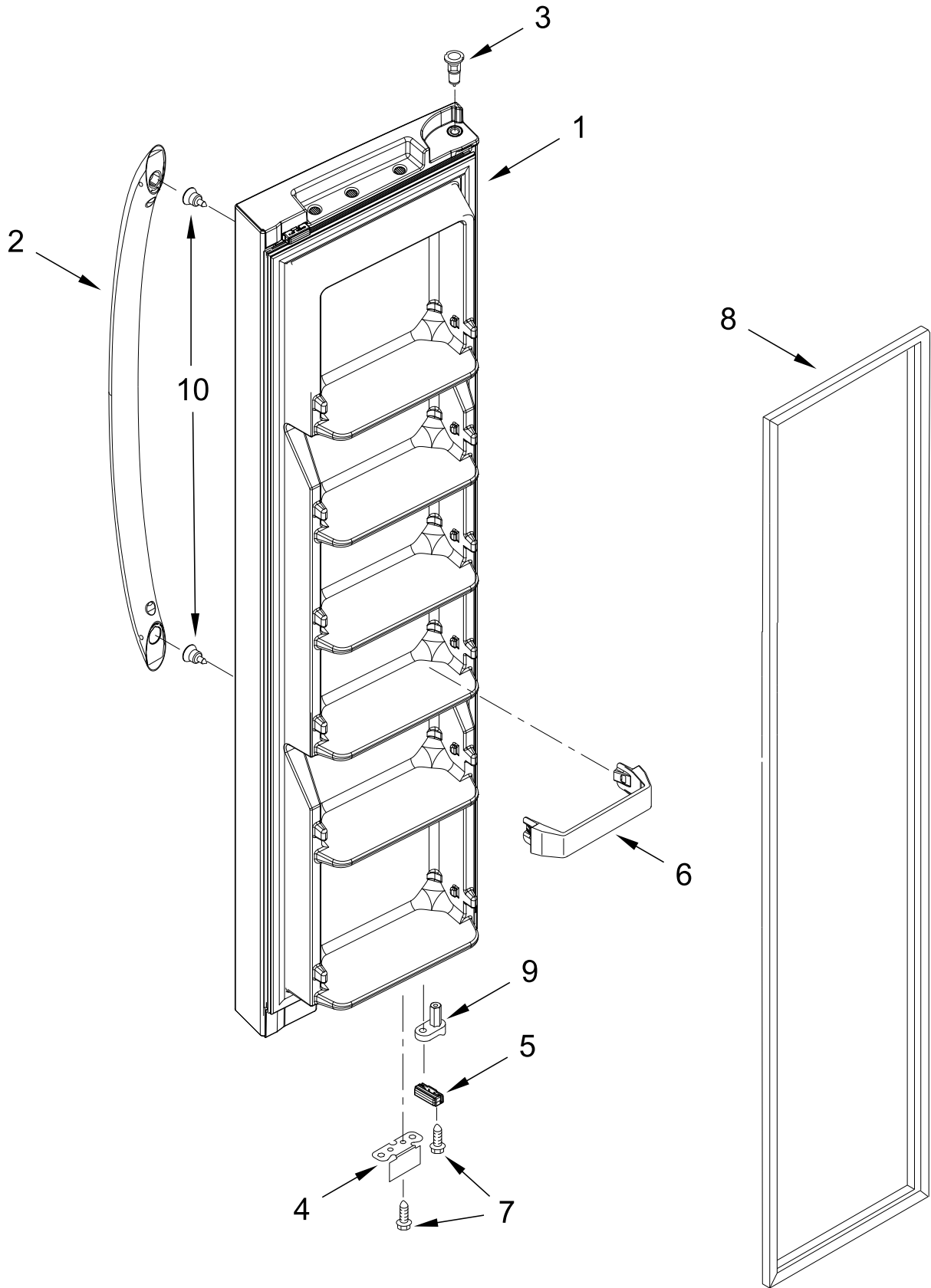
# REFRIGERATOR DOOR PARTS



# REFRIGERATOR DOOR PARTS

<u>Illus.</u> <u>No.</u>	<u>Part No.</u>	<u>Description</u>	<u>Illus.</u> <u>No.</u>	<u>Part No.</u>	<u>Description</u>	<u>Illus.</u> <u>No.</u>	<u>Part No.</u>	<u>Description</u>
1		Door, Refrigerator (Includes Door Gasket)	5		Handle	12	W10460893	Screw
	W11581451	Stainless		W10838130	Stainless	13	W10308489	Screw (Grey)
2	2256101	Door, Compartment	6	2200087	Thimble	14		Bumper, Door
3	W11034658	Bin, Door	7	2309941	Trivet		W10407188	Grey
4		Gasket, Door	8	W10900464	Thimble, Cam			
	W10912081	Grey	9	W10296816	Screw			
			10	W11481760	Bracket, Door Stop			
			11	W10612926	Badge			

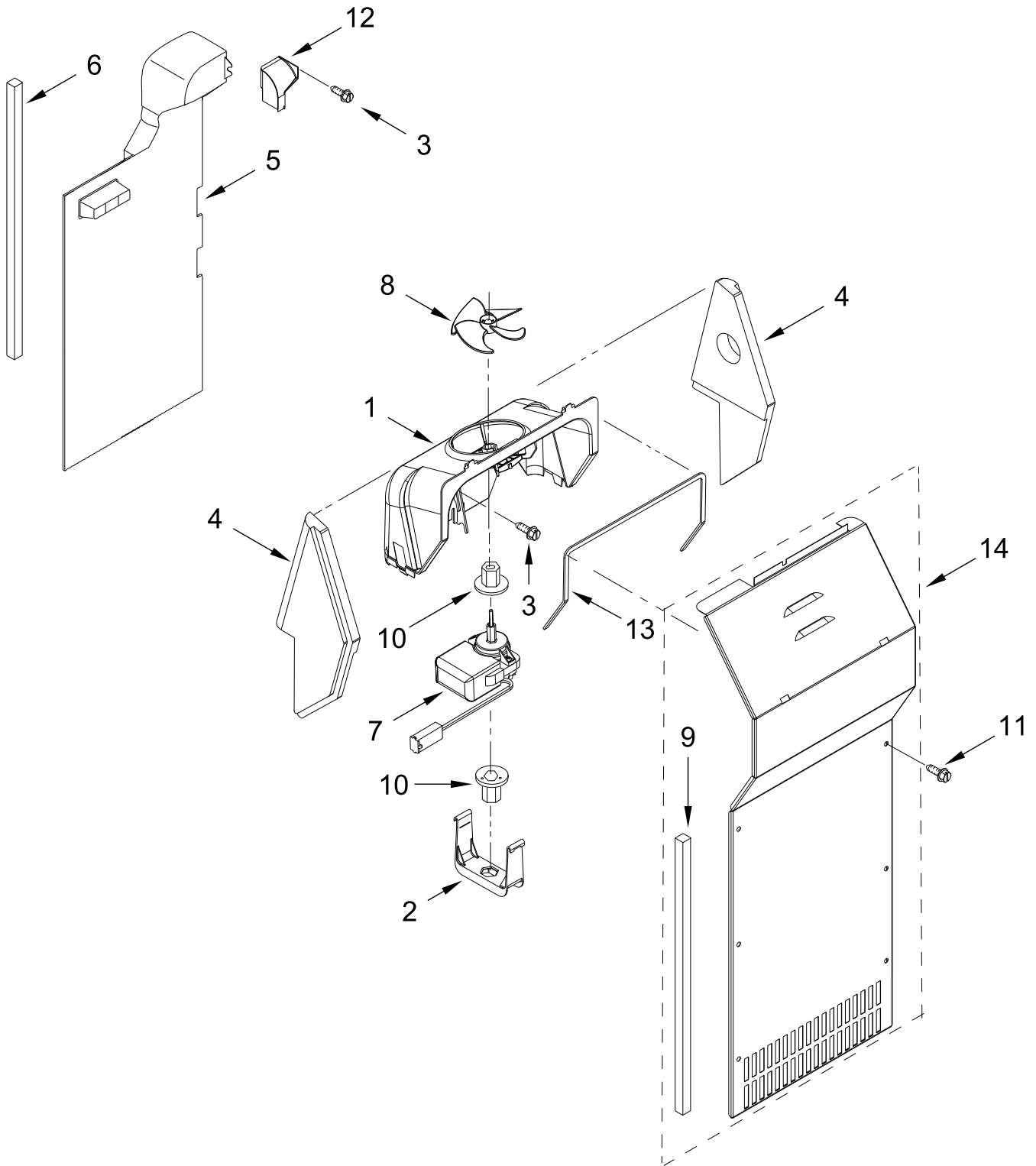
# FREEZER DOOR PARTS



# FREEZER DOOR PARTS

<u>Illus.</u> <u>No.</u>	<u>Part No.</u>	<u>Description</u>	<u>Illus.</u> <u>No.</u>	<u>Part No.</u>	<u>Description</u>	<u>Illus.</u> <u>No.</u>	<u>Part No.</u>	<u>Description</u>
1		Door, Freezer (Includes item 8)	3	2200087	Thimble	7	W10296804	Screw
	W11581456	Stainless	4	W11481757	Bracket, Door Stop	8		Gasket, Door
2		Handle	5		Bumper, Door		W10911389	Grey
	W10838130	Stainless		W10407188	Grey	9	W10900532	Thimble, Cam
			6	2309718	Trivet	10	W10460893	Screw

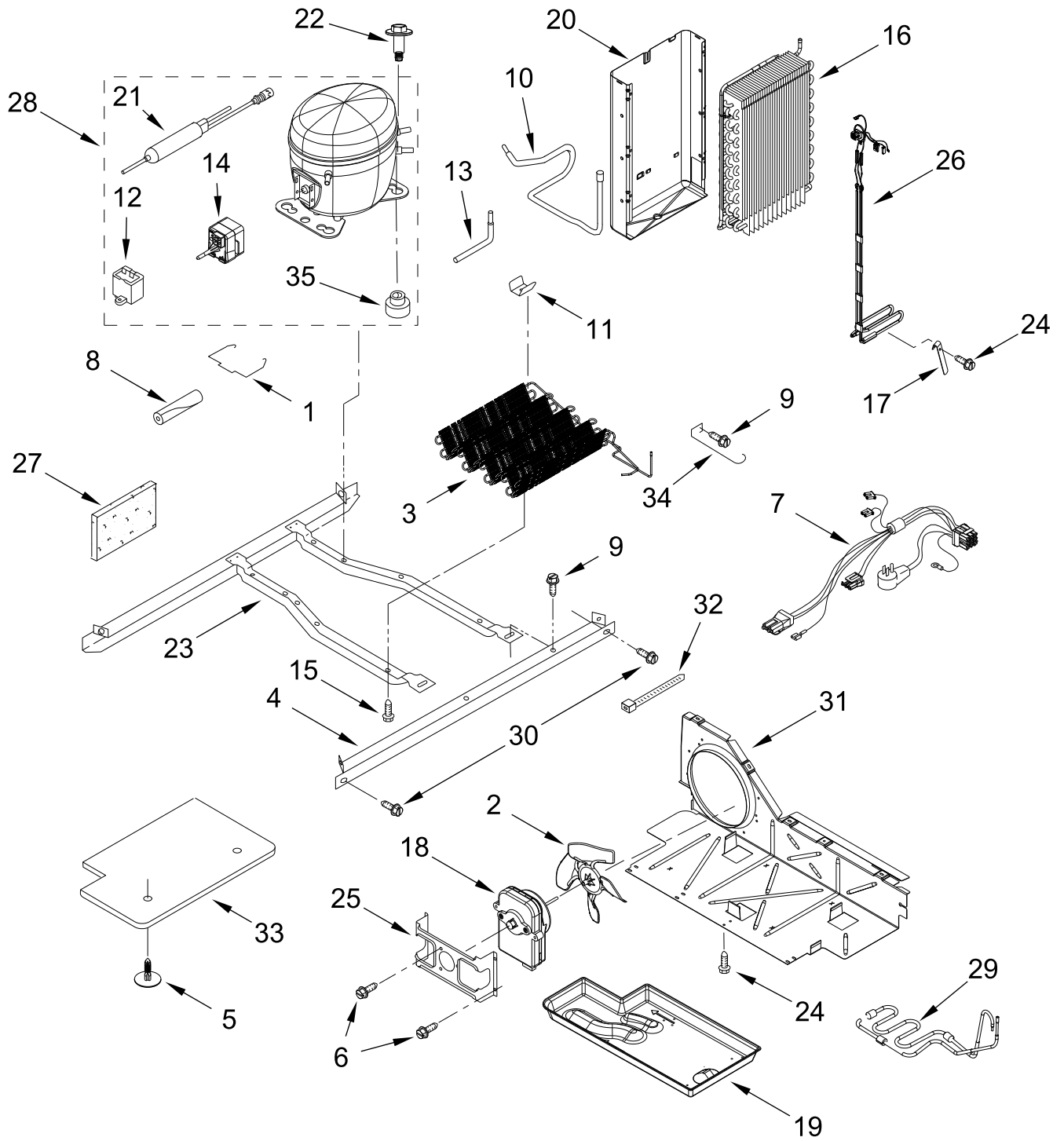
# AIR FLOW PARTS



# AIR FLOW PARTS

<u>Illus.</u> <u>No.</u>	<u>Part No.</u>	<u>Description</u>	<u>Illus.</u> <u>No.</u>	<u>Part No.</u>	<u>Description</u>	<u>Illus.</u> <u>No.</u>	<u>Part No.</u>	<u>Description</u>
1	W11228713	Scroll, Fan	5	2203594	Duct, Freezer Air	11	W10142292	Screw
2	W10188846	Retainer, Fan Motor	6	2203876	Gasket	12	W10803597	Scoop, Air Assembly
3	489478	Screw	7	2315549	Motor, Fan	13	2155789	Gasket
4		Support, Fan Scroll	8	2169142	Blade, Fan	14	W10463013	Cover, Evaporator
	W11414496	Left Hand	9	2304241	Gasket			
	W11414497	Right Hand	10	2176759	Grommet, Motor			

# UNIT PARTS





# UNIT PARTS

<u>Illus.</u> <u>No.</u>	<u>Part No.</u>	<u>Description</u>	<u>Illus.</u> <u>No.</u>	<u>Part No.</u>	<u>Description</u>	<u>Illus.</u> <u>No.</u>	<u>Part No.</u>	<u>Description</u>
1	W11495051	Strap, Bale	16	W11357918	Evaporator	26	W11573117	Assembly, Defrost Heater and Evaporator Fan Harness (Includes Thermal Fuse)
2	2225834	Blade, Fan			(Also Order the Following Lokring Parts)			
3	W11553540	Assembly, Condenser		W11504449	4/2 NR AL 00 (Capillary Tube to Evaporator)	27	2169104	Insulation, Sound Deadening
		(Also Order the Following Lokring Parts)		W11506619	8 NK MS 00 (Suction Line to Evaporator)	28	W11369198	Compressor (Also Order the Following Lokring Parts)
	W11506623	5 NK MS 00 (High Side to Condenser)		W11399989	Heat Probe		W11504415	8.5/8 NR MS 00 (Suction Tube to Compressor)
	W11504445	5/4 NR MS 00 (Suction Line to Condenser)	17	W11546724	Motor, Condenser Fan		W11504431	7/5 NR MS 00 (High Pressure Side to Compressor)
4	W10900442	Rail, Unit Mounting	19	W11562498	Tray, Evaporator		W11506619	8 NK MS 00 (Process Tube to Compressor)
5	489396	Clip	20	W11400740	Assembly, Heat Shield and Drain Pan	29	W11442858	Assembly, Precooler Formed
6	8533993	Screw			(Also Order the Following Lokring Parts)	30	489340	Bolt
7	W11229008	Harness, Unit (Includes Power Cord)	21	W10805035	Drier (Service Drier Without Dye)	31	W10896764	Baffle, Air
8	W10303521	Sleeve		W11504433	6/4 NR MS 00 (Heat Loop to Drier)	32	2263990	Tie, Wire
9	489427	Screw		W11504447	5/1.8 NR MS 00 (Capillary Tube to Drier)	33	W10897560	Assembly, Unit Cover (Bottom)
10	W11386791	Tube, Suction	22	W10476309	Screw	34	1110663	Guard, Fan
11	2311725	Clip, Condenser	23	W10900446	Frame, Unit Mounting (Includes Unit Mounting Rail)	35	W10806346	Grommet, Compressor
12	W10590083	Capacitor						REFRIGERANT CHARGE
13	2325479	Tube, Process						68 grams (R600A)
14	W11359381	Device, Combination Start (Start Relay and Overload)	24	489478	Screw			
15	8281232	Screw	25	2181929	Bracket, Fan Mounting			

# OPTIONAL PARTS

<u>Illus.</u> <u>No.</u>	<u>Part No.</u>	<u>Description</u>
		TOUCH-UP PAINT
W10134625		Apollo Grey
		MISCELLANEOUS
212643		Sealer, Gum (4 Feet)
505587		Sealer, Mastic (1 Qt)
503695		Cork, Sealer
542638		Grease, Silicone (1/2 Oz.)
833938		Kit, Terminal Connector
8003RP		Kit, Water Inlet
W10300794		Kit, Handle Installation
		FIELD INSTALLABLE ICE MAKER
W11510803		Complete Icemaker Kit (Includes Valve & Ice Bin)