

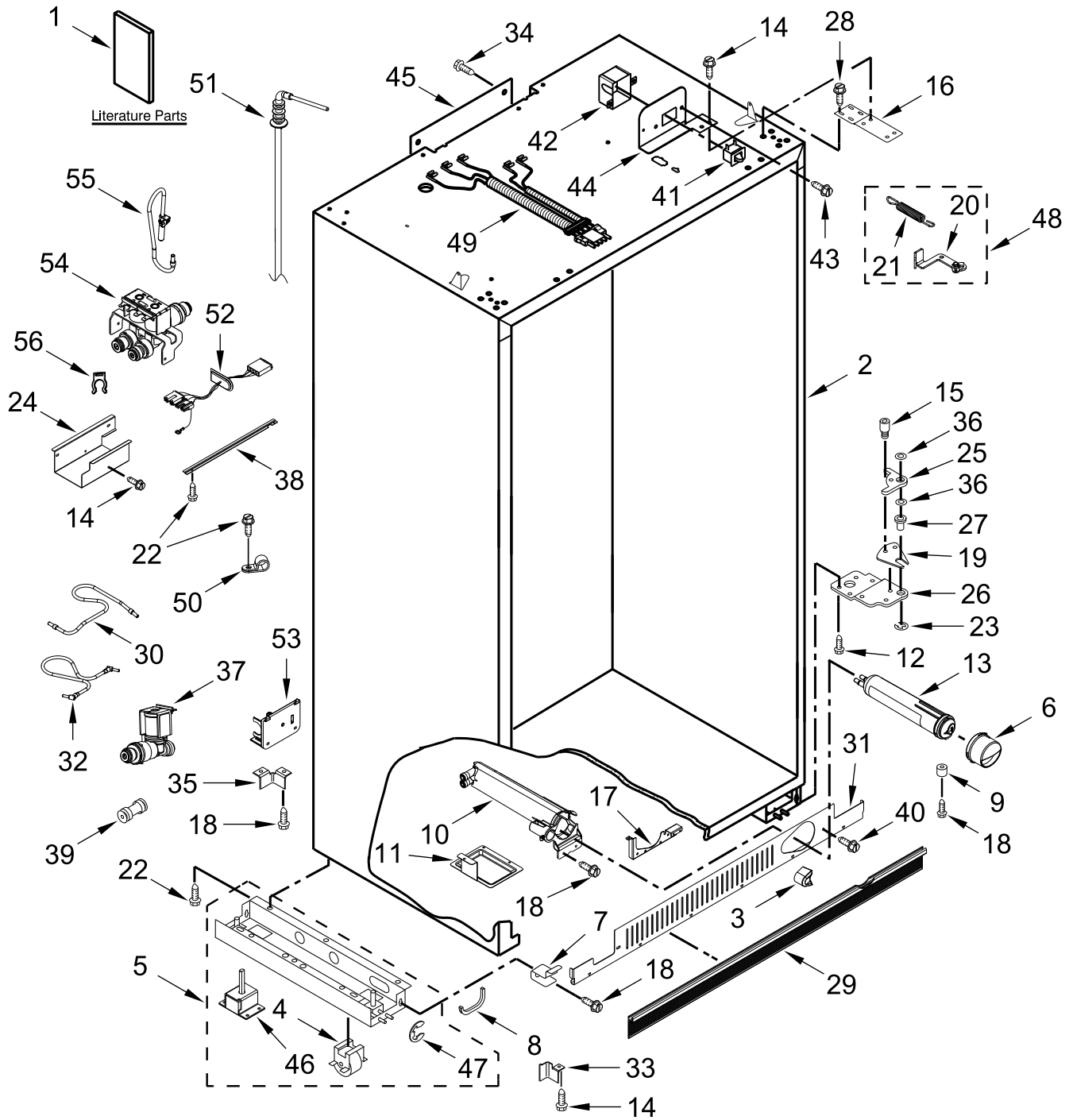
KitchenAid®

REFRIGERATOR

MODELS:

KBSD706MPS00 (Stainless Steel)

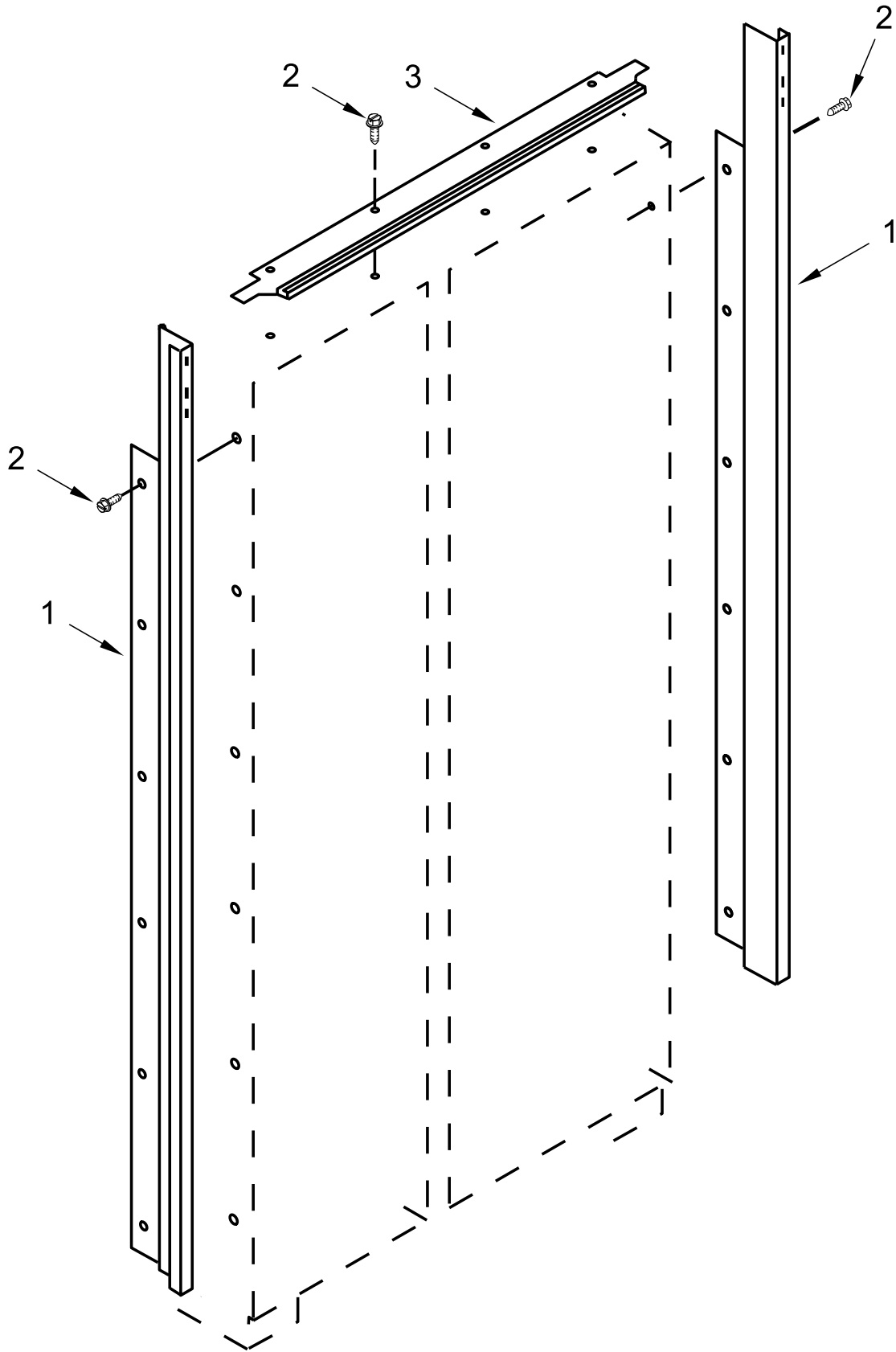
CABINET PARTS



CABINET PARTS

| <u>Illus.</u> <u>No.</u> | <u>Part No.</u> | <u>Description</u> | <u>Illus.</u> <u>No.</u> | <u>Part No.</u> | <u>Description</u> | <u>Illus.</u> <u>No.</u> | <u>Part No.</u> | <u>Description</u> |
|-----------------------------|-----------------|----------------------------------|-----------------------------|-----------------|-----------------------------------|-----------------------------|-----------------|-------------------------------|
| 1 | | Literature Parts | 21 | 2221242 | Spring, Door Closure (Green) | 41 | W10847848 | Switch, Rocker (Refrigerator) |
| | W11504344 | Owner's Manual | 22 | 486194 | Screw | | W10847852 | Switch, Rocker (Freezer) |
| | W11443729 | Energy Guide | 23 | 2005008 | Ring, Bushing Retaining | 42 | W11533762 | Cover, Switch |
| | W11494194 | Tech Sheet | 24 | W11594075 | Shield, Water Valve | 43 | 487415 | Screw |
| 2 | | Cabinet (Not A Serviceable Part) | 25 | W10482554 | Cover, Bottom Gap | 44 | | Bracket, Switch |
| 3 | | Button, Filter | 26 | | Hinge, Bottom | | W11610480 | Left Hand |
| | 2260503B | Black | | 2006779 | Left Hand | | W11610479 | Right Hand |
| 4 | W10138054 | Assembly, Roller | | 2006780 | Right Hand | 45 | 2215612 | Cover, Air Duct |
| 5 | | Assembly, Support Base | 27 | 2302876 | Bushing, Adjustable | 46 | 2005032 | Leveler, Adjustable |
| | W10279275 | Left Hand | 28 | W11370632 | Screw | 47 | 2006841 | Ring, Retainer |
| | W10138423 | Right Hand | 29 | | Skirt, Bottom Grille | 48 | | Assembly, Cam |
| 6 | | Cap, Water Filter | | 2209024B | Black | | W10121046 | Left Hand |
| | W10797527 | Black | 30 | W11449524 | Tube, Water | | 2307857 | Right Hand |
| 7 | 2307640 | Bracket, Grill Mounting | 31 | | Grille, Bottom | 49 | W10780213 | Assembly, Switch Wire |
| 8 | 2307584 | Grommet, Crossover Tube | | 2325184B | Black | 50 | 2221070 | Clamp, Tube |
| 9 | 2005433 | Spacer | 32 | W11450887 | Tube, Water Filter | 51 | W10357286 | Fitting, Water |
| 10 | W10121140 | Housing, Water Filter | 33 | | Bracket, Support Base (Front) | 52 | W11421923 | Harness, Water Valve |
| 11 | 2318189 | Tray, Filter Drip | | 2006616 | Left Hand | 53 | W10237915 | Bracket, Water Valve |
| 12 | 3400525 | Screw | | 2006556 | Right Hand | 54 | W10238102 | Filter Valve Asm |
| 13 | W10121146 | Filter, Water | 34 | 1157158 | Screw | 55 | W11447812 | Waterline |
| 14 | 487294 | Screw | 35 | 2006617 | Bracket, Base Support (Rear) | 56 | W10782424 | Locking Ring(5/16") |
| 15 | 3400230 | Screw | | | | | W10782423 | Locking Ring (1/4") |
| 16 | 2257644 | Hinge, Top | 36 | 2006346 | Washer, Extension Arm | | | |
| 17 | W10674648 | Bracket, Filter | 37 | W10578757 | Valve, Isolation (No Flow Washer) | | | |
| 18 | W10001250 | Screw | 38 | 2320559 | Support, Valve | | | |
| 19 | 2004994 | Lock, Bushing | 39 | W10271541 | Connector, Union | | | |
| 20 | | Arm, Door Closer Extension | 40 | 8281163 | Screw (Stainless) | | | |
| | W11229516 | Left Hand | | | | | | |
| | W10728112 | Right Hand | | | | | | |

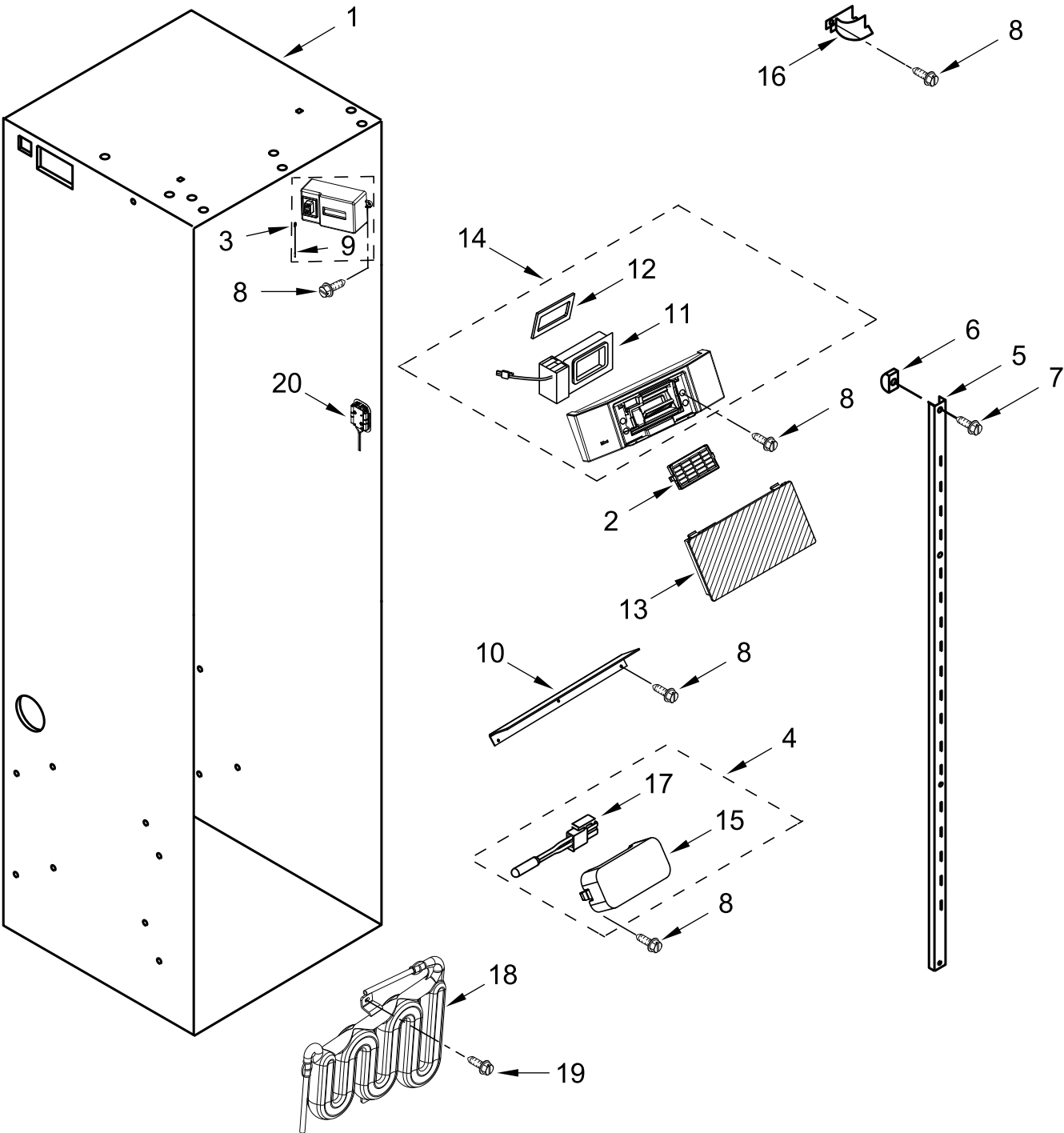
CABINET TRIM PARTS



CABINET TRIM PARTS

| <u>Illus.</u> <u>No.</u> | <u>Part No.</u> | <u>Description</u> | <u>Illus.</u> <u>No.</u> | <u>Part No.</u> | <u>Description</u> |
|-----------------------------|-----------------|---|-----------------------------|-----------------|---------------------|
| 1 | | Assembly, Trim (Includes Blind Threaded Insert) | 2 | 486194 | Screw |
| | | | 3 | | Trim, Cabinet (Top) |
| | W11085744 | Left Side | | 2314016 | Aluminum |
| | W11085745 | Right Side | | | |

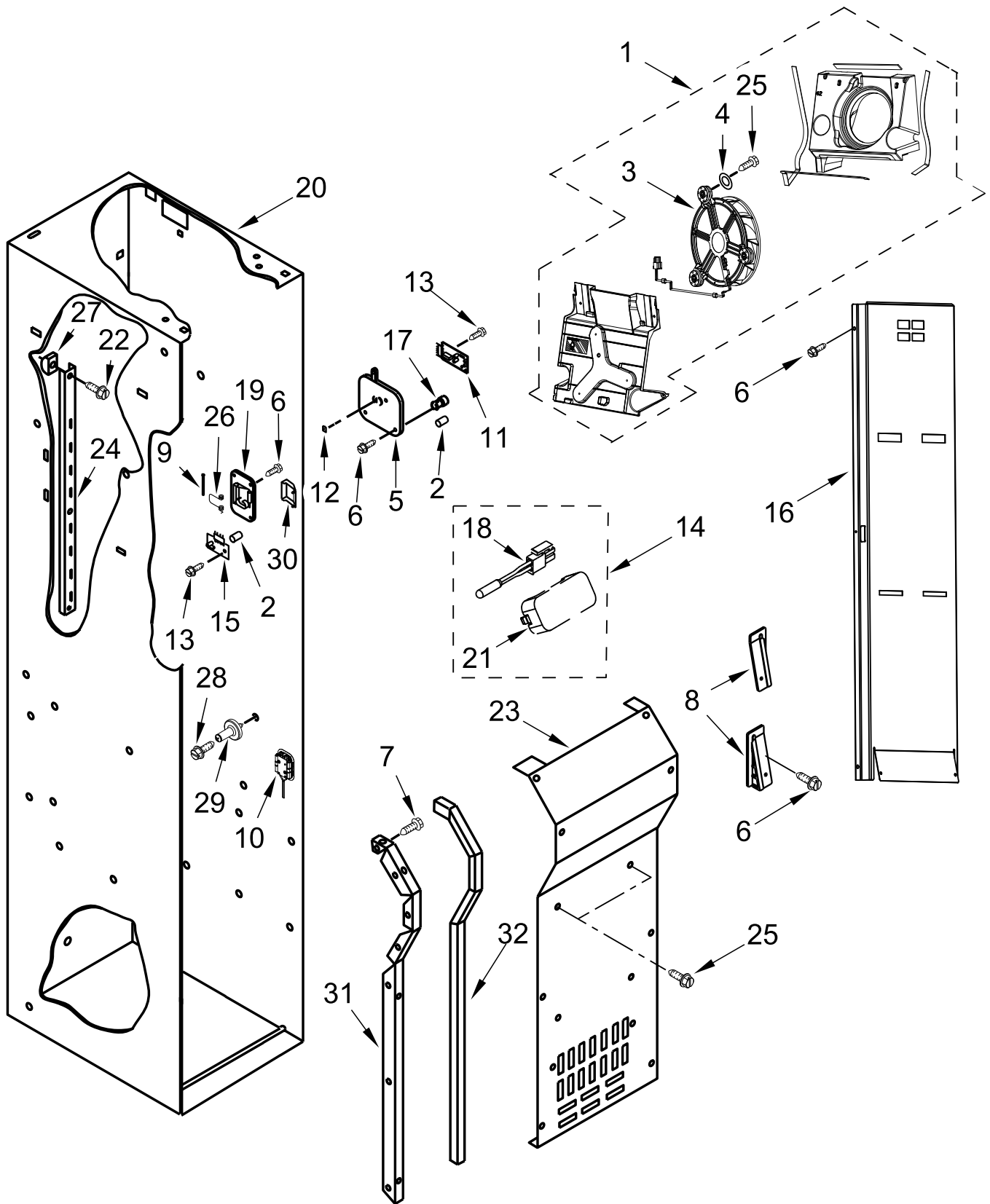
REFRIGERATOR LINER PARTS



REFRIGERATOR LINER PARTS

| <u>Illus. No.</u> | <u>Part No.</u> | <u>Description</u> | <u>Illus. No.</u> | <u>Part No.</u> | <u>Description</u> | <u>Illus. No.</u> | <u>Part No.</u> | <u>Description</u> |
|-------------------|-----------------|--------------------------------|-------------------|-----------------|-------------------------|-------------------|-----------------|----------------------|
| 1 | | Liner (Not A Serviceable Part) | 8 | 487539 | Screw (Stainless) | 16 | W11443086 | Guard, Air Return |
| 2 | W10315189 | Filter, Air | 9 | 2302937 | Thermistor | 17 | 2188820 | Thermistor |
| 3 | W11447198 | Assembly, Air Diffuser Cover | 10 | W11596655 | Diverter, Crisper Cover | 18 | W11463083 | Reservoir, Water |
| 4 | W11550866 | Assembly, Thermistor | 11 | 2220377 | Baffle, Air | 19 | W10141518 | Screw |
| 5 | W11481390 | Ladder, Shelf | 12 | W11480891 | Gasket, Air Baffle | 20 | W11229041 | Assembly, LED Module |
| 6 | 520965 | Support, Ladder | 13 | W11480888 | Cover, Air Diffuser | | | |
| 7 | W10808291 | Screw | 14 | W11449562 | Assembly, Air Diffuser | | | |
| | | | 15 | W10609678 | Cover, Thermistor | | | |

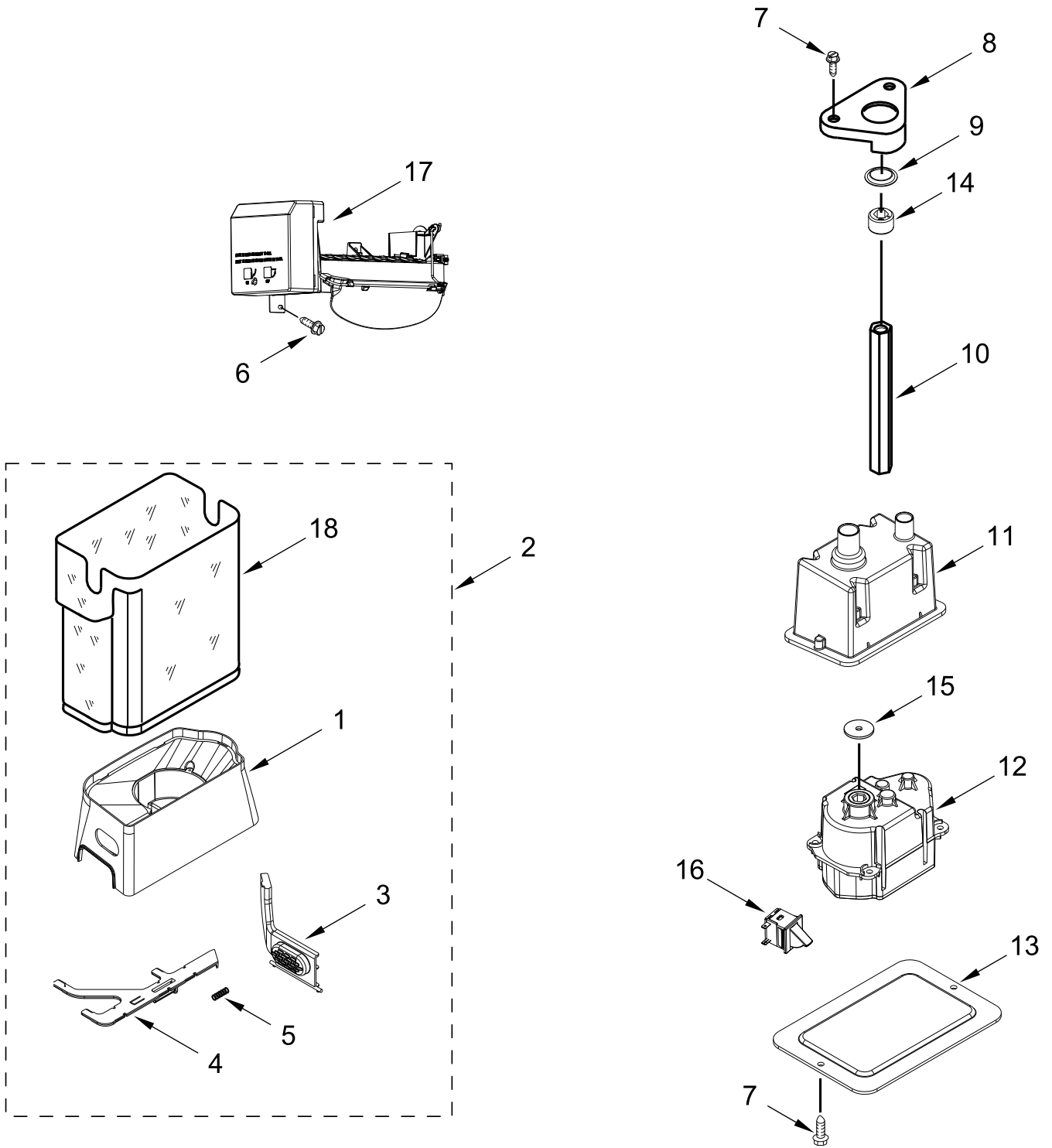
FREEZER LINER AND AIR FLOW PARTS



FREEZER LINER AND AIR FLOW PARTS

| <u>Illus. No.</u> | <u>Part No.</u> | <u>Description</u> | <u>Illus. No.</u> | <u>Part No.</u> | <u>Description</u> | <u>Illus. No.</u> | <u>Part No.</u> | <u>Description</u> |
|-------------------|-----------------|--------------------------|-------------------|-----------------|--------------------------------|-------------------|-----------------|--------------------------|
| 1 | W11437866 | Assembly, Evaporator Fan | 12 | W11603482 | Slide, Icemaker Shut Off | 24 | W11481390 | Ladder, Shelf |
| 2 | 2198665 | Tube, Circuit Board | 13 | 489214 | Screw | 25 | 487539 | Screw (Stainless) |
| 3 | W11544700 | Fan, Evaporator | 14 | W11550866 | Assembly, Thermistor | 26 | 2198635 | Spring, Door |
| 4 | 3400916 | Washer | 15 | W11553040 | Board, Emitter Circuit | 27 | 520965 | Support, Ladder |
| 5 | W11603662 | Cover, Receiver | 16 | W11410841 | Duct, FC Air | 28 | W10191952 | Screw |
| 6 | W10001250 | Screw | 17 | 2198643 | Lens, Receiver | 29 | W11445126 | Assembly, Shelf Stud |
| 7 | 486194 | Screw | 18 | 2188820 | Thermistor | 30 | W11597100 | Flipper, Shut Off |
| 8 | | Wedge, Air Duct | 19 | W11603485 | Cover, Emitter | 31 | | Rail, Evaporator Cover |
| | W11447235 | Left Hand | 20 | | Liner (Not A Serviceable Part) | | W11467831 | Left Hand |
| | W11447234 | Right Hand | | | | | W11467830 | Right Hand |
| 9 | 2198634 | Pin, Door | 21 | W10609678 | Cover, Thermistor | 32 | W11467833 | Gasket, Evaporator Cover |
| 10 | W11229041 | Assembly, LED Module | 22 | W10808291 | Screw | | | |
| 11 | W11553041 | Board, Receiver Circuit | 23 | W11497293 | Cover, Evaporator | | | |

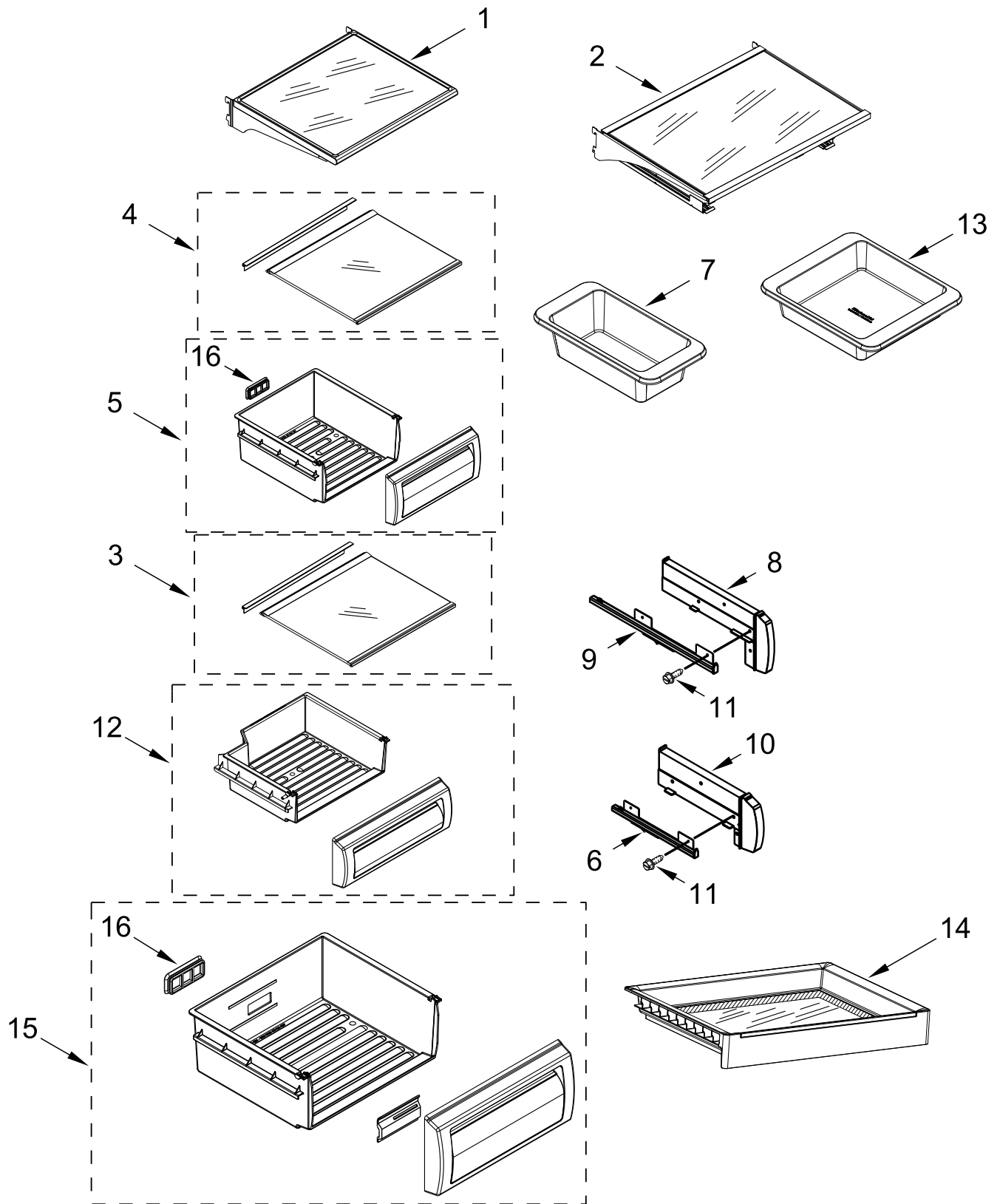
ICEMAKER AND ICE CONTAINER PARTS



ICEMAKER AND ICE CONTAINER PARTS

| <u>Illus.</u> <u>No.</u> | <u>Part No.</u> | <u>Description</u> | <u>Illus.</u> <u>No.</u> | <u>Part No.</u> | <u>Description</u> | <u>Illus.</u> <u>No.</u> | <u>Part No.</u> | <u>Description</u> |
|-----------------------------|-----------------|-------------------------|-----------------------------|-----------------|----------------------------|-----------------------------|-----------------|-----------------------------|
| 1 | W11567290 | Bin, Lower Crusher | 7 | 8281163 | Screw (Stainless) | 13 | W11608469 | Cover, Dispenser Motor |
| 2 | W11574170 | Assembly, Ice Container | 8 | W11443152 | Clip, Shaft | 14 | 2315559 | Sleeve, Bearing |
| 3 | W10749207 | Button, Bin | 9 | 2198628 | Seal | 15 | W10254073 | Washer |
| 4 | W10134784 | Latch, Bin | 10 | 2318030 | Shaft, Drive | 16 | W11592419 | Switch, Auger Motor |
| 5 | 2198608 | Spring, Latch | 11 | W11608470 | Enclosure, Dispenser Motor | 17 | W11322221 | Assembly, Complete Icemaker |
| 6 | 487539 | Screw (Stainless) | 12 | W11185741 | Motor, Dispenser | 18 | 2222960 | Bin, Upper Crusher |

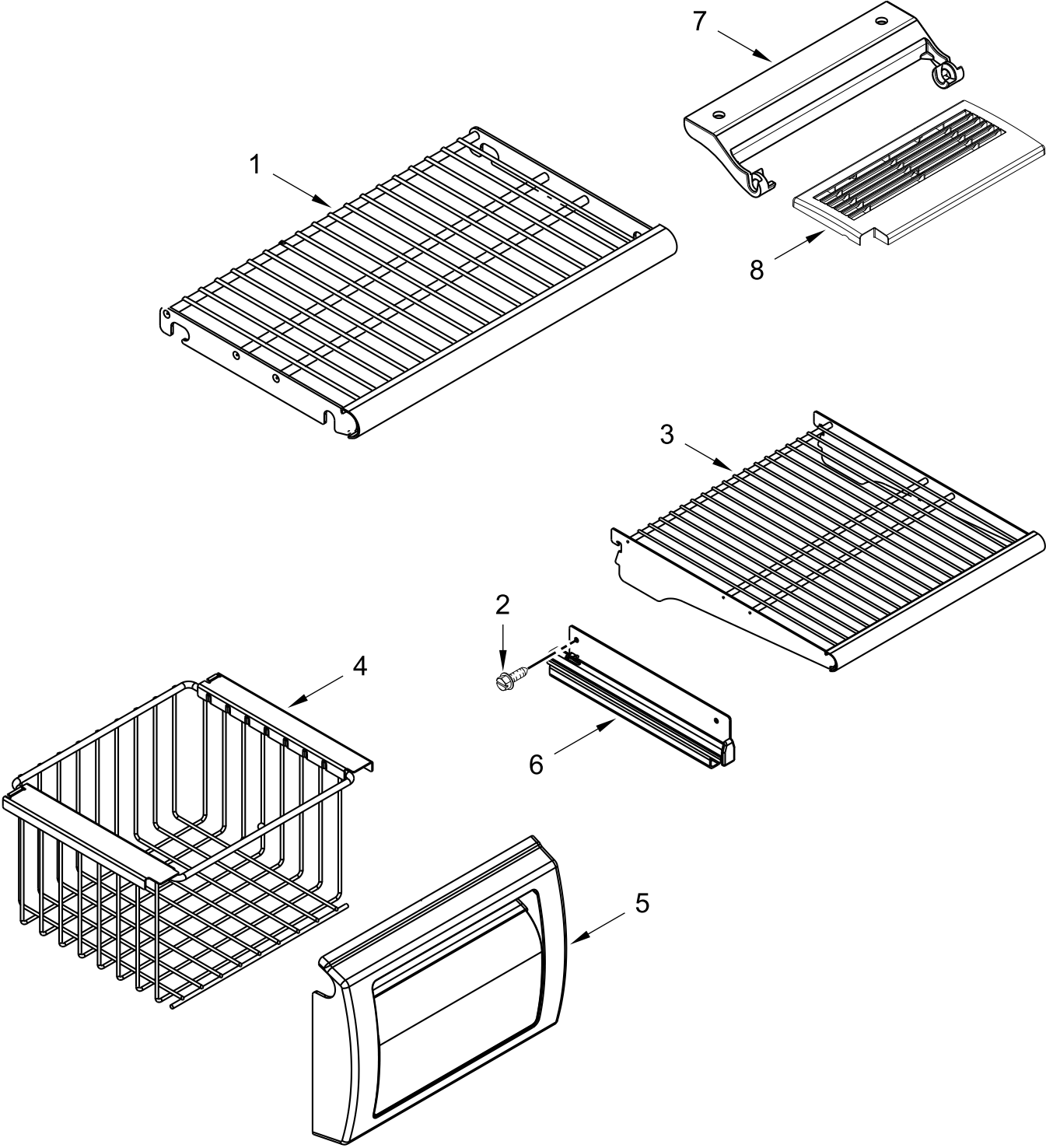
REFRIGERATOR SHELF PARTS



REFRIGERATOR SHELF PARTS

| <u>Illus. No.</u> | <u>Part No.</u> | <u>Description</u> | <u>Illus. No.</u> | <u>Part No.</u> | <u>Description</u> | <u>Illus. No.</u> | <u>Part No.</u> | <u>Description</u> |
|-------------------|-----------------|-----------------------------|-------------------|-----------------|--------------------|-------------------|-----------------|---------------------------|
| 1 | W11410509 | Assembly, Fixed Shelf | 8 | | Spacer, Crisper | 12 | W11448426 | Assembly, Meat Pan |
| 2 | W11408075 | Assembly, Bakeware Shelf | | W11410122 | Left Hand | 13 | W11522385 | Pan, Cake |
| 3 | W11453927 | Assembly, Meat Pan Cover | | W11410123 | Right Hand | 14 | W11611419 | Assembly, Platter Shelf |
| 4 | W11410383 | Assembly, Crisper Pan Cover | 9 | | Slide, Crisper | 15 | W11482029 | Pan, Cool Control Crisper |
| 5 | W11448663 | Assembly, Crisper Pan | | 2302956 | Left Hand | 16 | 2307810 | Duct, Deli Pan |
| 6 | | Slide, Meat Pan | 10 | 2302957 | Right Hand | | | |
| 7 | W11522389 | Pan, Loaf | | W11410124 | Left Hand | | | |
| | 2302954 | Left Hand | 11 | W11410125 | Right Hand | | | |
| | 2302955 | Right Hand | | 8533928 | Screw (Left Hand) | | | |
| | | | | 8533929 | Screw (Right Hand) | | | |

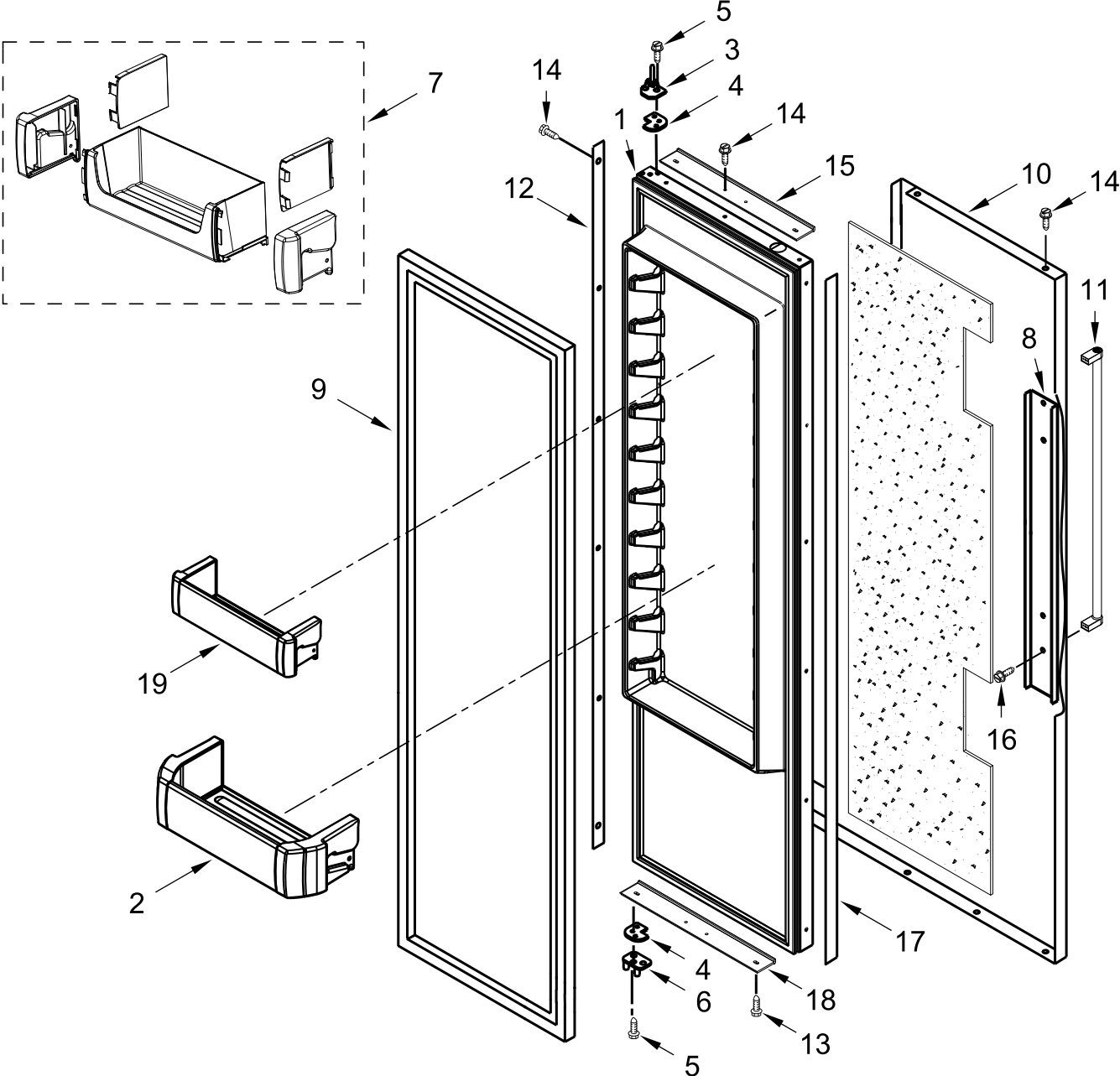
FREEZER SHELF PARTS



FREEZER SHELF PARTS

| <u>Illus.</u> <u>No.</u> | <u>Part No.</u> | <u>Description</u> | <u>Illus.</u> <u>No.</u> | <u>Part No.</u> | <u>Description</u> | <u>Illus.</u> <u>No.</u> | <u>Part No.</u> | <u>Description</u> |
|-----------------------------|-----------------|--------------------|-----------------------------|-----------------|-----------------------|-----------------------------|-----------------|----------------------------|
| 1 | W11603233 | Shelf, Wire | 5 | W11410127 | Front, Freezer Basket | 7 | W10749631 | Bracket, Icemaker Cover |
| 2 | 8533928 | Screw | 6 | | Slide, Basket | | | |
| 3 | W11602369 | Assembly, Shelf | | 2259318 | Left Hand | 8 | W11567120 | Cover, Icemaker |
| 4 | W11602364 | Basket, Freezer | | 2259317 | Right Hand | | | |

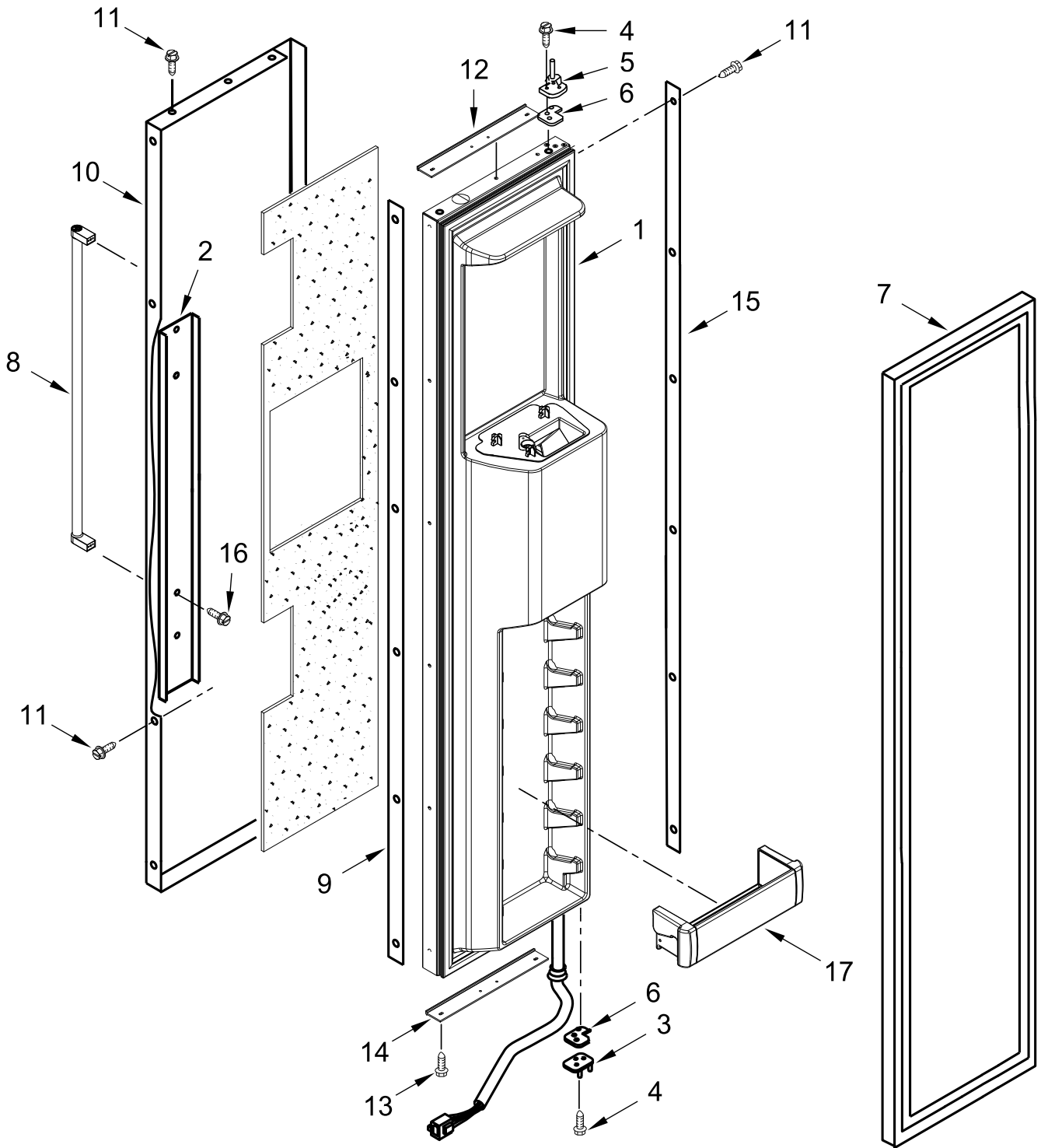
REFRIGERATOR DOOR PARTS



REFRIGERATOR DOOR PARTS

| <u>Illus. No.</u> | <u>Part No.</u> | <u>Description</u> | <u>Illus. No.</u> | <u>Part No.</u> | <u>Description</u> | <u>Illus. No.</u> | <u>Part No.</u> | <u>Description</u> |
|-------------------|-----------------|---------------------------|-------------------|-----------------|--|-------------------|-----------------|----------------------------|
| 1 | W11576431 | Door, Refrigerator | 10 | | Skin, Door | 16 | 308544 | Screw |
| 2 | W11408928 | Bin, Gallon Door | | W10756458 | Stainless | 17 | W10758113 | Spacer, Handle Side Door |
| 3 | W10485980 | Assembly, Hinge (Top) | | | Filler (Not Serviced-Included With Skin) | 18 | W10761935 | Spacer, Door Skin (Bottom) |
| 4 | 2316804 | Spacer, Door Hinge Bottom | 11 | | Handle, Door | 19 | W11408934 | Bin, Shallow Door |
| 5 | W10162602 | Screw | | W10541592 | Stainless | | | |
| 6 | 2302878 | Assembly, Hinge (Bottom) | 12 | W10756209 | Spacer, Hinge Side Door | | | |
| 7 | W11610621 | Bin, Top Door | 13 | 488568 | Screw (Stainless) | | | |
| 8 | W10127710 | Plate, Handle Door | 14 | 8281250 | Screw (Stainless) | | | |
| 9 | W10760884 | Gasket, Door Grey | 15 | W10758121 | Spacer, Door Skin (Top) | | | |

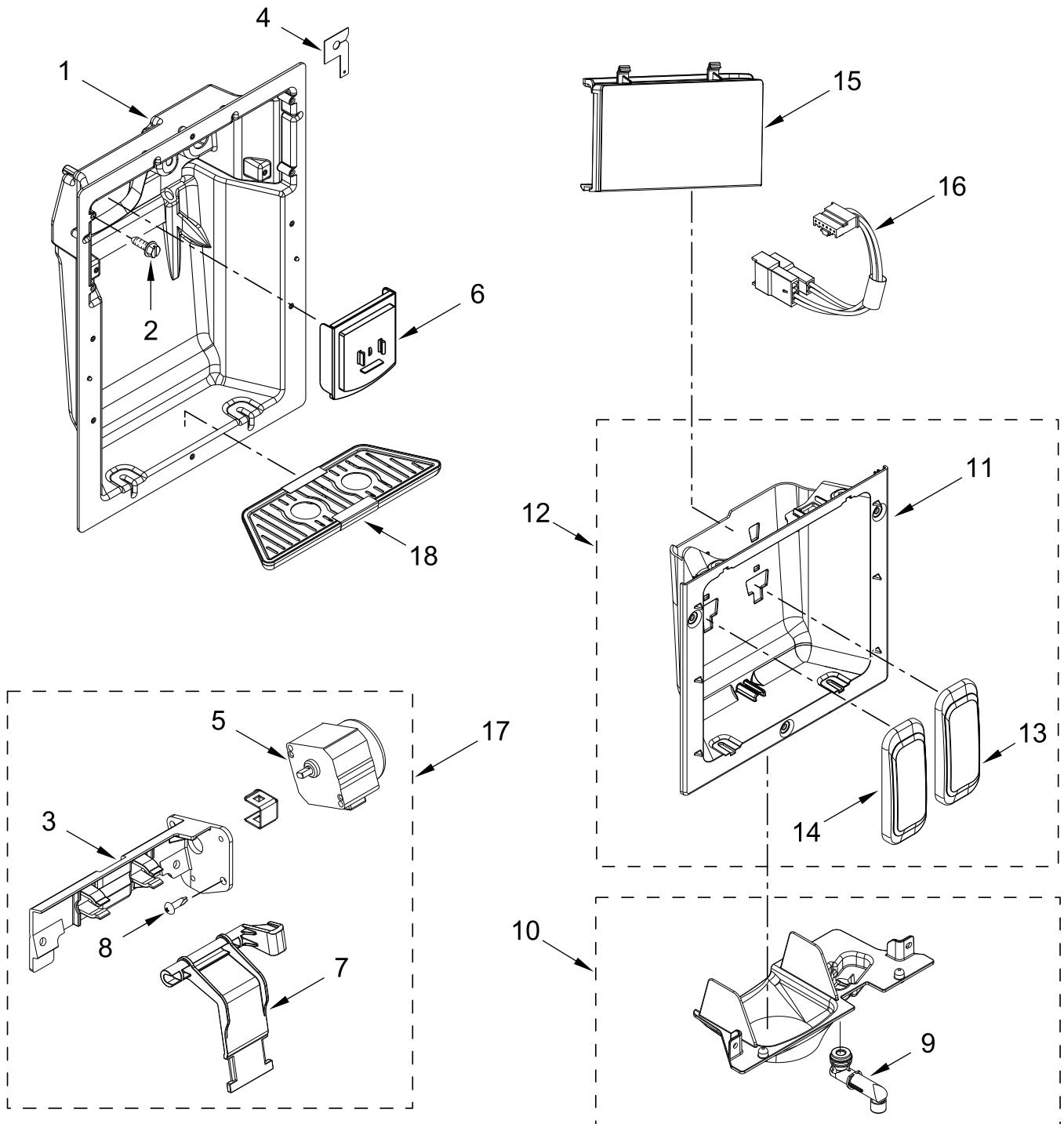
FREEZER DOOR PARTS



FREEZER DOOR PARTS

| <u>Illus.</u> <u>No.</u> | <u>Part No.</u> | <u>Description</u> | <u>Illus.</u> <u>No.</u> | <u>Part No.</u> | <u>Description</u> | <u>Illus.</u> <u>No.</u> | <u>Part No.</u> | <u>Description</u> |
|-----------------------------|-----------------|---------------------------|-----------------------------|-----------------|--|-----------------------------|-----------------|--------------------------|
| 1 | W11502199 | Door, Freezer | 8 | | Handle, Door | 12 | W10758109 | Spacer, Door Skin (Top) |
| 2 | W10127710 | Plate, Handle Door | | W10541592 | Stainless | | | |
| 3 | 2302879 | Assembly, Hinge (Bottom) | 9 | W10758113 | Spacer, Handle Side Door | 13 | 488568 | Screw (Stainless) |
| 4 | W10162602 | Screw | 10 | | Skin, Door | 14 | W10758111 | Spacer, Door Skin Bottom |
| 5 | W10485980 | Assembly, Hinge (Top) | | W11441149 | Stainless | 15 | W10756209 | Spacer, Hinge Side Door |
| 6 | 2316804 | Spacer, Door Hinge Bottom | | | Filler (Not Serviced-Included With Skin) | 16 | 308544 | Screw |
| 7 | | Gasket, Door | 11 | 8281250 | Screw (Stainless) | 17 | W11408935 | Bin, FC Shallow Door |
| | W10761963 | Grey | | | | | | |

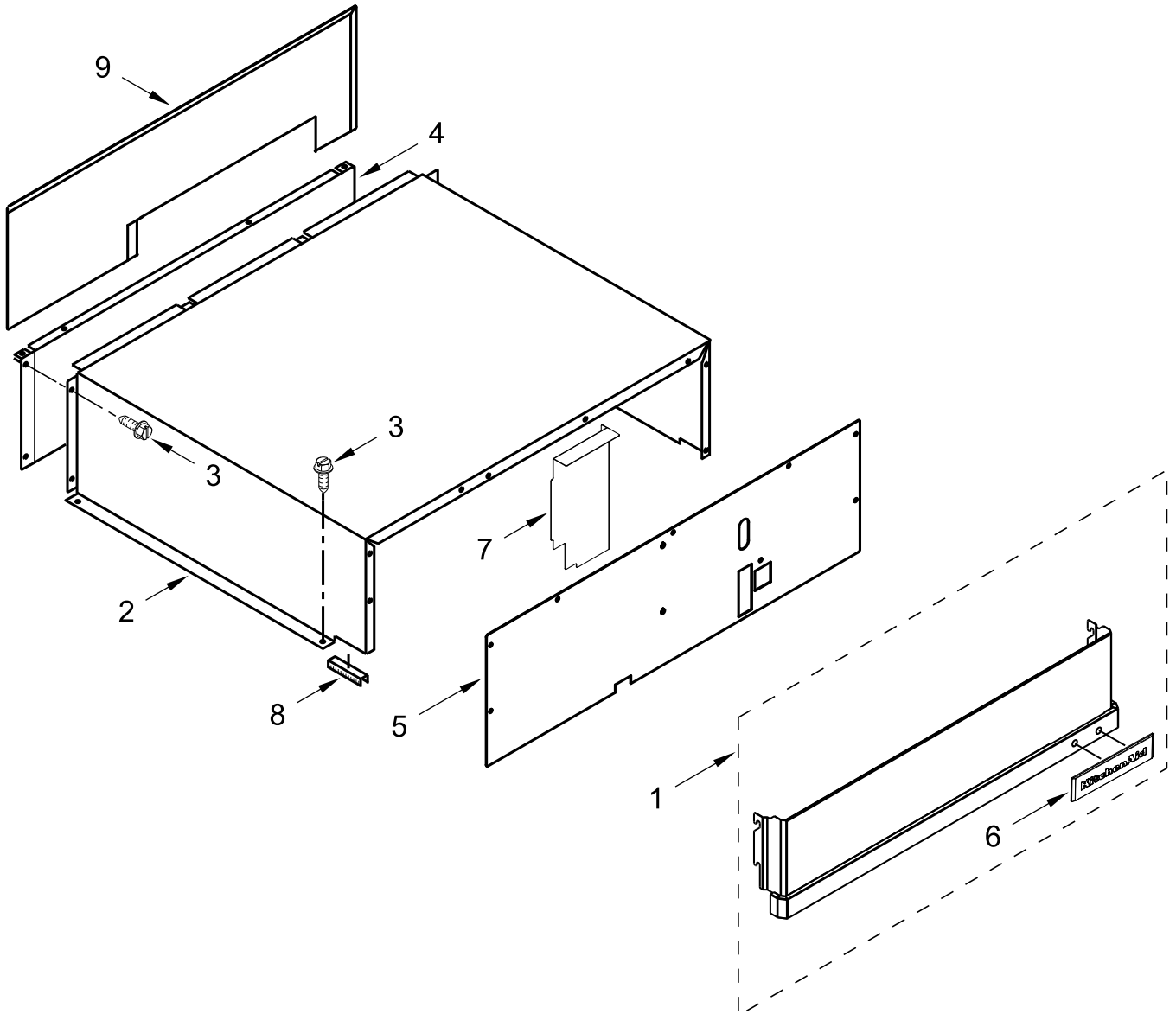
DISPENSER PARTS



DISPENSER PARTS

| <u>Illus. No.</u> | <u>Part No.</u> | <u>Description</u> | <u>Illus. No.</u> | <u>Part No.</u> | <u>Description</u> | <u>Illus. No.</u> | <u>Part No.</u> | <u>Description</u> |
|-------------------|-----------------|-----------------------------------|-------------------|-----------------|---|-------------------|-----------------|-----------------------------|
| 1 | | Housing, Dispenser (Not Serviced) | 10 | W11425798 | Assembly, Separator | 15 | W11426690 | Assembly, User Interface |
| 2 | 486194 | Screw | 11 | | Housing, Middle (Not Available Order Item 12) | 16 | W11428836 | Wire, User Interface Jumper |
| 3 | W10542660 | Bracket, Motor | 12 | W11429556 | Assembly, Pad Housing | 17 | W10546285 | Assembly, Motor and Bracket |
| 4 | 2305447 | Clip, Wiring | 13 | W11408129 | Assembly, Water Paddle | 18 | W11408077 | Assembly, Drip Tray |
| 5 | W10205979 | Motor, Ice Door | 14 | W11408128 | Assembly, Ice Paddle | | | |
| 6 | W10504458 | Door, Ice | | | | | | |
| 7 | W10542663 | Support, Ice Door | | | | | | |
| 8 | 4449745 | Screw | | | | | | |
| 9 | 2305235 | Assembly, Spigot | | | | | | |

TOP GRILLE AND UNIT COVER PARTS



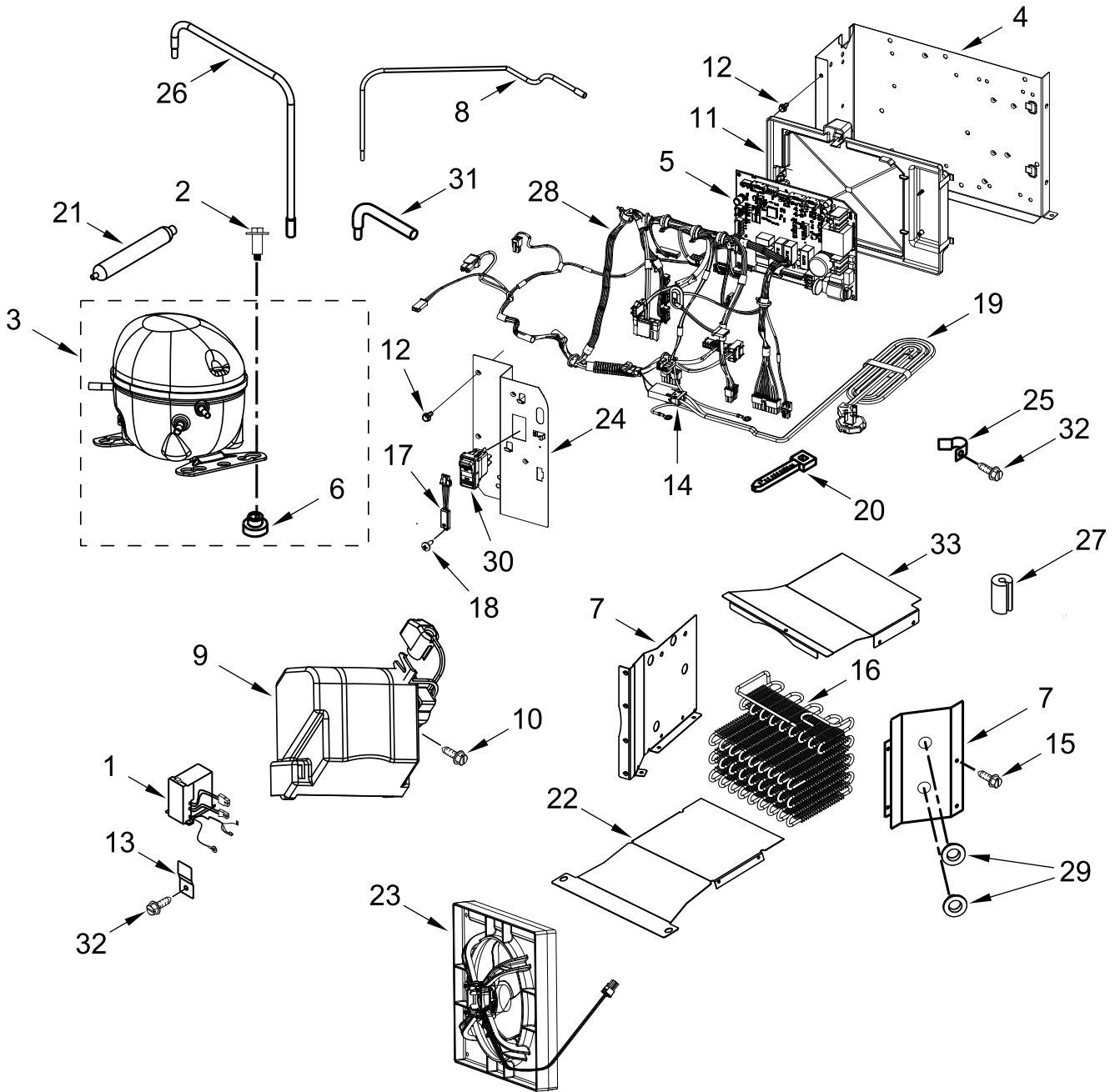
TOP GRILLE AND UNIT COVER PARTS

| <u>Illus.</u> <u>No.</u> | <u>Part No.</u> | <u>Description</u> |
|-----------------------------|-----------------|----------------------|
| 1 | W10761967 | Assembly, Top Grille |
| 2 | W10545068 | Cover, Unit |
| 3 | W10784922 | Screw (Black) |
| 4 | 2256466 | Panel, Unit Back |

| <u>Illus.</u> <u>No.</u> | <u>Part No.</u> | <u>Description</u> |
|-----------------------------|-----------------|--------------------|
| 5 | W11435372 | Cover, Unit Front |
| 6 | W10518672 | Badge |
| 7 | W10645086 | Divider, Unit Air |

| <u>Illus.</u> <u>No.</u> | <u>Part No.</u> | <u>Description</u> |
|-----------------------------|-----------------|--------------------------------|
| 8 | 2215910 | Grommet, Flexible |
| 9 | W11244166 | Insulation, Unit Back Panel |

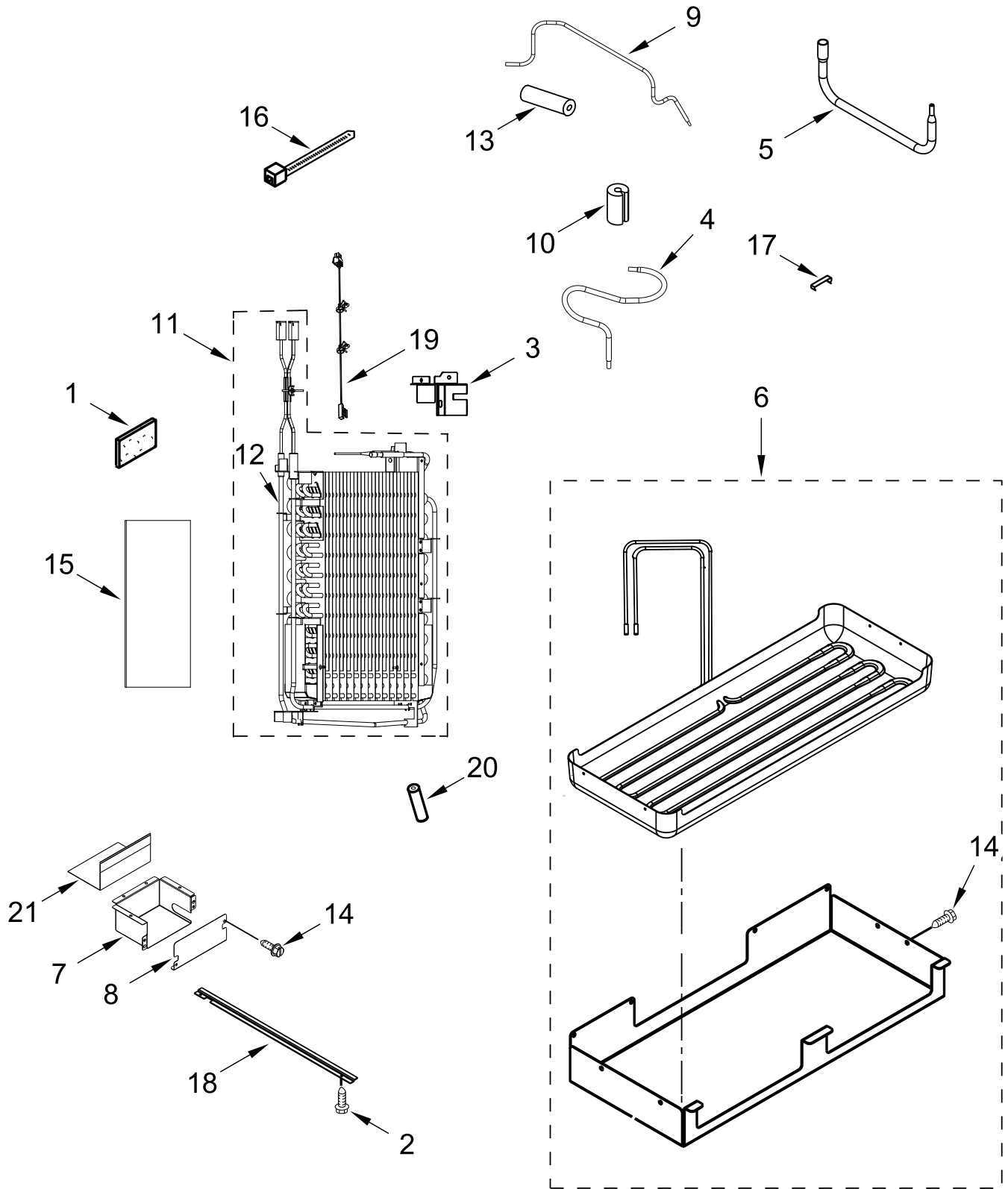
UPPER UNIT PARTS



UPPER UNIT PARTS

| <u>Illus. No.</u> | <u>Part No.</u> | <u>Description</u> | <u>Illus. No.</u> | <u>Part No.</u> | <u>Description</u> | <u>Illus. No.</u> | <u>Part No.</u> | <u>Description</u> |
|-------------------|-----------------|--|-------------------|-----------------|---|-------------------|-----------------|---------------------------|
| 1 | W11411269 | Assembly, Inverter Box | 14 | 2310195 | Assembly, Jumper Wire (Power Switch to Power Cord) | 24 | W11435371 | Bracket, Control Assembly |
| 2 | 489473 | Screw | 15 | 1157158 | Screw | 25 | W11242280 | Clamp, Power Cord |
| 3 | W11332037 | Compressor (Also Order the Following Lokring Parts) | 16 | W11408149 | Condenser (Also Order the Following Lokring Parts) | 26 | W11411473 | Tube, Drier Transition |
| | W11504415 | 8.5/8 NR MS 00 (Suction Tube to Compressor) | | W11504445 | 5/4 NR MS 00 (High Side to Condenser) | 27 | 2319835 | Grommet, Condenser |
| | W11504431 | 7/5 NR MS 00 (High Pressure Side to Compressor) | | W11504445 | 5/4 NR MS 00 (Suction Line to Condenser) | 28 | W11421662 | Harness, Unit Wire |
| | W11504416 | 8.5/6 NR MS 00 (Process Tube to Compressor) | 17 | W11482040 | Sensor, Relative Humidity | 29 | W10587113 | Grommet |
| 4 | W10550831 | Housing, Control Board Mounting | 18 | W10068580 | Screw | 30 | W11311927 | Switch, Power Disconnect |
| 5 | W11444684 | Control, Electronic | 19 | 2310196 | Cord, Power | 31 | W11482820 | Tube, Process |
| 6 | 2183042 | Grommet | 20 | 2155774 | Tie, Wire | 32 | 486194 | Screw |
| 7 | | Support, Condenser | 21 | W10805035 | Drier (Service Drier Without Dye) (Also Order the Following Lokring Parts) | 33 | W11443120 | Cover, Condenser Support |
| | W11443116 | Left Hand | | W11504445 | 5/4 NR MS 00 (Heat Loop to Drier) | | | REFRIGERANT CHARGE |
| | W11443117 | Right Hand | | W11504432 | 6/5 NR MS 00 (Capillary Tube to Drier) | | | 61 grams (R600a) |
| 8 | W11460408 | Tube, Heat Loop Transition | | W11443119 | Bracket, Condenser Bottom | | | |
| 9 | W11235263 | Assembly, Compressor Cover | 22 | W11443119 | Bracket, Condenser Bottom | | | |
| 10 | 9741232 | Screw | 23 | W11464545 | Assembly, Condenser Fan | | | |
| 11 | W11435369 | Housing, Control Board | | | | | | |
| 12 | 487415 | Screw | | | | | | |
| 13 | 2256328 | Bracket, Inverter Mounting | | | | | | |

LOWER UNIT AND TUBE PARTS



LOWER UNIT AND TUBE PARTS

| <u>Illus. No.</u> | <u>Part No.</u> | <u>Description</u> | <u>Illus. No.</u> | <u>Part No.</u> | <u>Description</u> | <u>Illus. No.</u> | <u>Part No.</u> | <u>Description</u> |
|-------------------|-----------------|-------------------------------------|-------------------|-----------------|---|-------------------|-----------------|---------------------------|
| 1 | 2169104 | Insulation, Sound Deadening | 10 | W10413009 | Grommet, Air Return | 13 | W10303521 | Sleeve |
| 2 | 486194 | Screw | 11 | W11408051 | Assembly, Evaporator and Heater | 14 | 304392 | Screw |
| 3 | W11463140 | Bracket, Evaporator Right Top | | | (Also Order the Following Lokring Parts) | 15 | W11477364 | Gasket, Evaporator Bypass |
| 4 | W11444578 | Tube, Oil Trap Suction | | W11504450 | 4/1.8 NR MS 00 (Capillary Tube to Evaporator) | 16 | 2155774 | Tie, Wire |
| 5 | W11530767 | Tube, Transition (Drier/Restrictor) | | W11506620 | 8 NK AL 00 (Suction Line to Evaporator) | 17 | W10169509 | Clip, Heat Exchanger |
| 6 | W11491712 | Assembly, Drain Pan | | | | 18 | 2320554 | Support, Drain Pan |
| 7 | W10309012 | Cover, Wiring | | | | 19 | W11549269 | Thermistor, Evaporator |
| 8 | W10321048 | Cover, Wire Box | | | | 20 | 2215648 | Dampener |
| 9 | W11445483 | Tube, Discharge | 12 | W11267070 | Heater, Defrost | 21 | W10321050 | Shelf, Wiring Cover |