

**KitchenAid®**

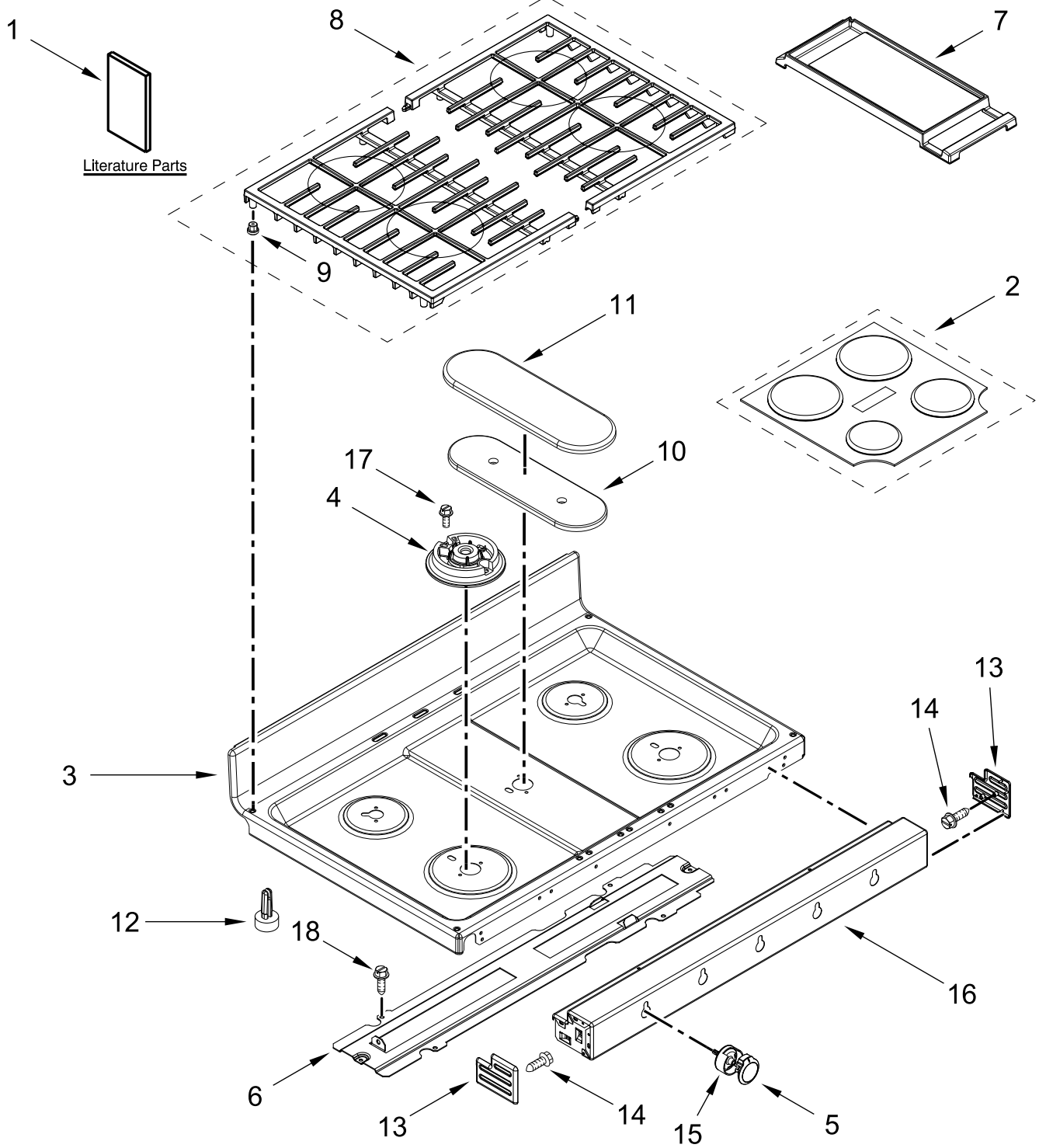
**GAS RANGE**

**MODELS:**

KFGD500EWH10 (White)

KFGD500ESS10 (Stainless)

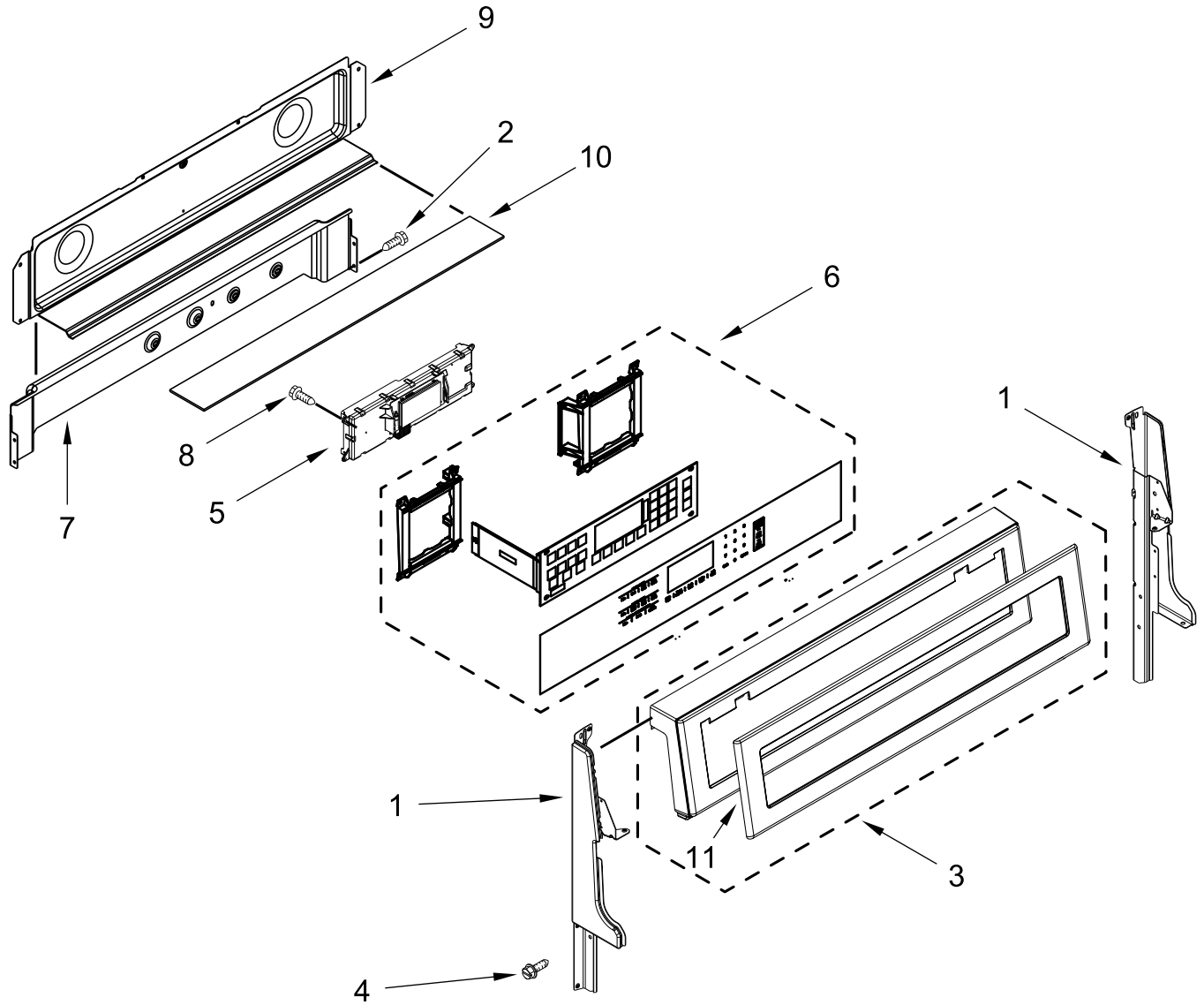
# COOKTOP PARTS



# COOKTOP PARTS

| <u>Illus. No.</u> | <u>Part No.</u> | <u>Description</u>         | <u>Illus. No.</u> | <u>Part No.</u> | <u>Description</u>                 | <u>Illus. No.</u> | <u>Part No.</u> | <u>Description</u>              |
|-------------------|-----------------|----------------------------|-------------------|-----------------|------------------------------------|-------------------|-----------------|---------------------------------|
| 1                 |                 | Literature Parts           | 6                 | W10518258       | Bracket, Cooktop Support           | 16                |                 | Panel, Manifold                 |
|                   | W11426601       | Owner's Manual             |                   |                 |                                    |                   | W10708334       | White                           |
|                   | W11430266       | Quick Start Guide          | 7                 | W10432544       | Griddle                            |                   | W10711043       | Stainless                       |
|                   | W11565449       | Tech Sheet                 | 8                 | W11241660       | Grate Kit (Includes 2 Grates)      | 17                | 3368921         | Screw                           |
| 2                 |                 | Kit, Burner Cap            | 9                 | W10465081       | Grate, Bumper                      | 18                | 7101P376-60     | Screw                           |
|                   | W10299236       | Black                      | 10                | W10333445       | Base, Burner (Fish Burner Only)    |                   |                 | FOLLOWING PARTS NOT ILLUSTRATED |
| 3                 |                 | Cooktop                    |                   |                 |                                    |                   | W11448060       | Harness, Main                   |
|                   | W10260170       | White                      | 11                |                 | Kit, Burner Cap (Fish Burner Only) |                   | W11172428       | Harness, EOL (DOFSR)            |
|                   | W10330921       | Stainless                  |                   |                 |                                    |                   | W10408058       | Harness, Spark                  |
| 4                 | W10406878       | Head, Burner (17.5K)       |                   | W10171140       | Black                              |                   | W11172531       | Harness, Sensor & Locks         |
|                   |                 | (Left Front)               | 12                | 8016P022-60     | Glide, Main Top                    |                   | 7101P027-60     | Screw, Ground                   |
|                   | W10406243       | Head, Burner (6K)          | 13                |                 | Endcap, Manifold                   |                   | 7111P017-60     | Clamp, Wire                     |
|                   |                 | (Left Rear and Right Rear) |                   | W10719580       | White (Left)                       |                   | 8019P026-60     | Clip, Wire-Wrap Nylon           |
|                   | W10406797       | Head, Burner (12.5K)       |                   | W10719579       | White (Right)                      |                   | 7109P036-60     | Washer                          |
|                   |                 | (Right Front)              |                   | W10772020       | Stainless (Left)                   |                   |                 |                                 |
|                   | W10336094       | Head, Burner (Center)      |                   | W10772019       | Stainless (Right)                  |                   |                 |                                 |
|                   |                 |                            | 14                | 3196160         | Screw                              |                   |                 |                                 |
| 5                 |                 | Knob, Control              | 15                |                 | Bezel                              |                   |                 |                                 |
|                   | W10643306       | Stainless                  |                   | W10785119       | Stainless (Kit of 5)               |                   |                 |                                 |

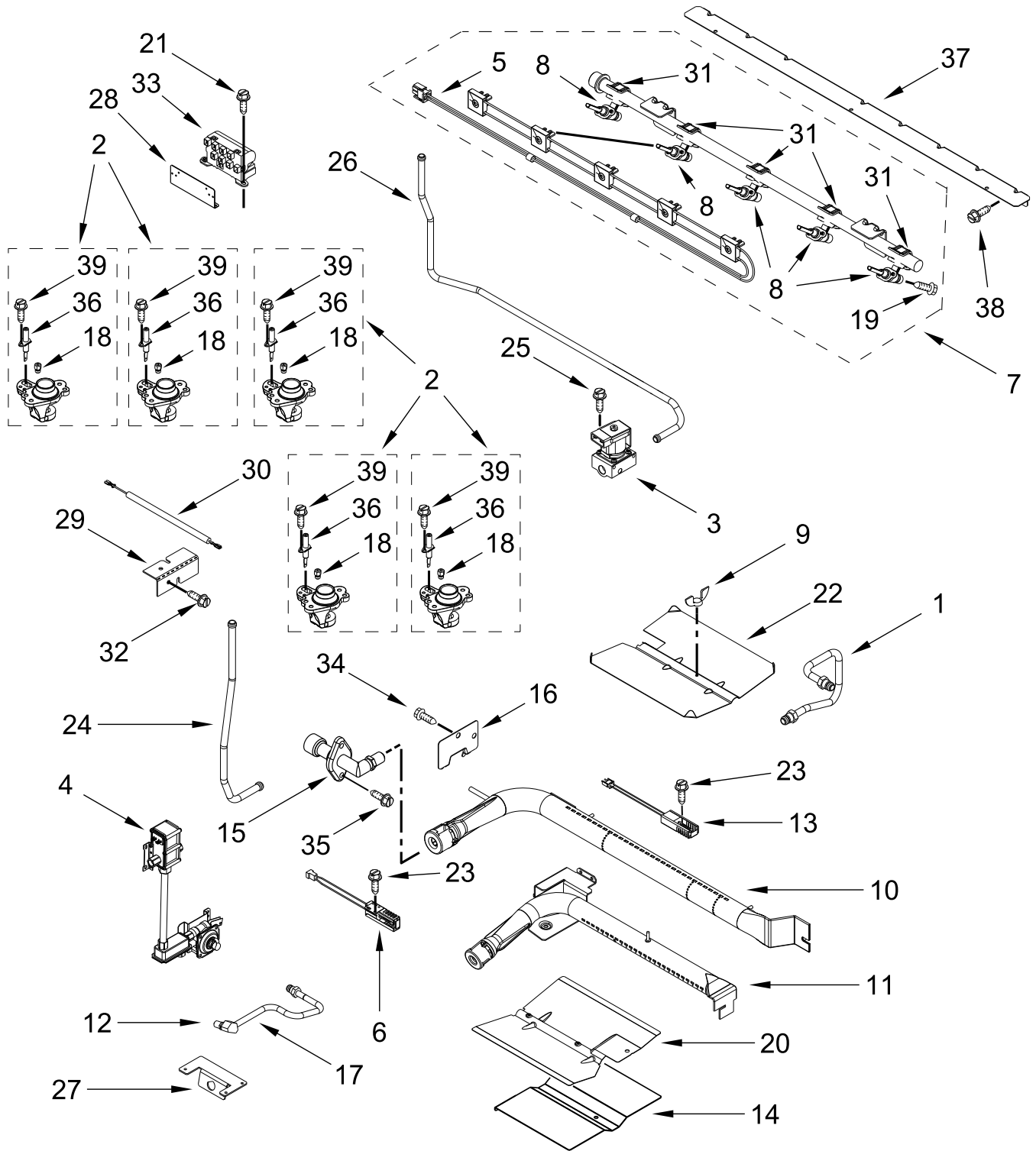
# CONTROL PANEL PARTS



# CONTROL PANEL PARTS

| <u>Illus. No.</u> | <u>Part No.</u> | <u>Description</u>         | <u>Illus. No.</u> | <u>Part No.</u> | <u>Description</u>                                | <u>Illus. No.</u> | <u>Part No.</u> | <u>Description</u>                 |
|-------------------|-----------------|----------------------------|-------------------|-----------------|---|-------------------|-----------------|------------------------------------|
| 1                 |                 | Support, Backguard         | 4                 | 7101P634-60     | Screw   | 9                 | W10776098       | Cover, Backguard                   |
|                   | W10319110       | White (Left)               | 5                 | W11541198       | Control, Maxwell Electronic                       | 10                | W10309232       | Insulation, Wire Cover             |
|                   | W10319112       | White (Right)              |                   |                 |   | 11                |                 | Skin, Control Panel (Not Serviced) |
|                   | W10319109       | Black (Left)               | 6                 |                 | Assembly, User Interface (Includes Light Feature) |                   |                 |                                    |
|                   | W10319111       | Black (Right)              |                   | W10692424       | White   |                   |                 |                                    |
|                   |                 | (For Stainless Model Only) |                   | W10619109       | Black   |                   |                 |                                    |
| 2                 | 7101P426-60     | Screw                      |                   |                 | (For Stainless Model Only)                        |                   |                 |                                    |
| 3                 |                 | Console                    | 7                 | W10278697       | Shield, Vent                                      |                   |                 |                                    |
|                   | W10645847       | White                      | 8                 | 9780274         | Screw   |                   |                 |                                    |
|                   | W10645848       | Stainless                  |                   |                 |   |                   |                 |                                    |

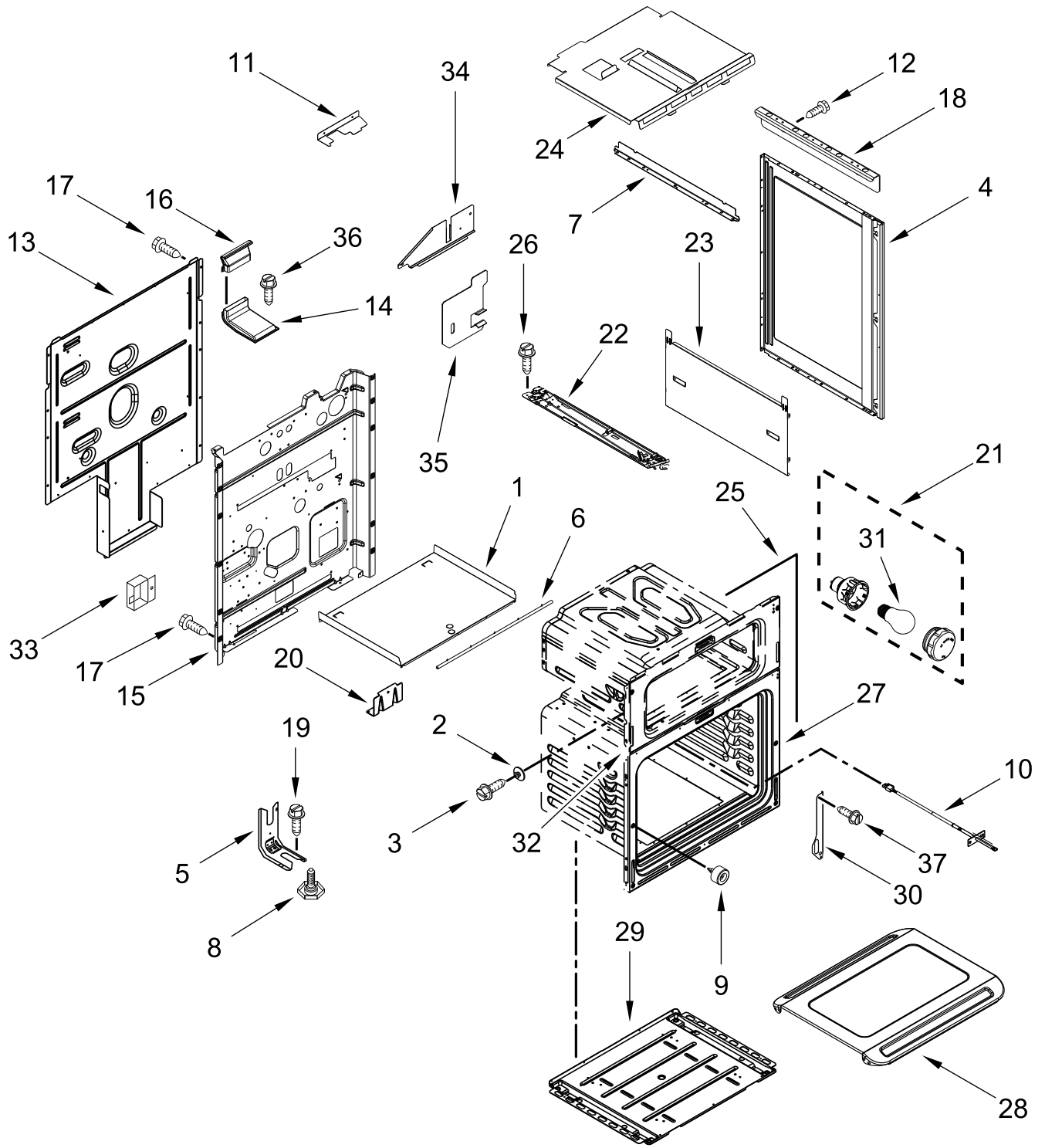
# MANIFOLD PARTS



# MANIFOLD PARTS

| <u>Illus. No.</u> | <u>Part No.</u> | <u>Description</u>         | <u>Illus. No.</u> | <u>Part No.</u> | <u>Description</u>                   | <u>Illus. No.</u> | <u>Part No.</u> | <u>Description</u>  |
|-------------------|-----------------|----------------------------|-------------------|-----------------|--------------------------------------|-------------------|-----------------|---|
| 1                 | W10319002       | Tubing, Broil              | 11                | W11105585       | Burner, Bake                         | 26                | W10642388       | Tubing (Supply Shutoff To Manifold)                               |
| 2                 | W10643268       | Holder, Orifice (17K)      | 12                | W10342662       | Orifice, Bake (Upper)                | 27                | W10272520       | Bracket, Orifice  |
|                   | W10643269       | Holder, Orifice (5K)       |                   | W10342661       | Orifice, Bake (Lower)                | 28                | W10319059       | Bracket, Spark Module   |
|                   | W10643270       | Holder, Orifice (10K)      | 13                | 7432P143-60     | Ignitor, Bake                        | 29                | W10324366       | Holder, Electrode Extension                                       |
|                   | W10643271       | Holder, Orifice (5K)       | 14                | W10298865       | Shield, Bake                         | 30                | W10636384       | Extension, Electrode  |
|                   | W10643272       | Holder, Orifice (7K)       | 15                | W10292293       | Fitting, Broiler                     | 31                | W10949105       | Bracket, Saddle Valve   |
|                   |                 | (Center)                   | 16                | 4005F421-45     | Cover, Ignitor Wire                  | 32                | 4449154         | Screw   |
| 3                 | W10368614       | Valve, Shut Off            | 17                | 7103P195-60     | Nut, Mounting                        | 33                | 7431P053-60     | Module, Spark   |
| 4                 | W10546238       | Valve/Regulator            | 18                | W10639161       | Orifice (Left Front)                 | 34                | 7101P434-60     | Screw   |
| 5                 | W10664240       | Harness, Switch            |                   | W10407673       | Orifice (Left Rear and Right Rear)   | 35                | 7101P502-60     | Screw   |
| 6                 | W10324738       | Ignitor, Gas               |                   | W10407675       | Orifice (Right Front)                | 36                | W10565365       | Electrode, Spark (Left Front, Left Rear, Right Front, Right Rear) |
| 7                 | W10806878       | Assembly, Manifold         |                   | W10324014       | Orifice (Center)                     |                   | W10637673       | Electrode, Fish (Center)  |
| 8                 | W10718180       | Valve (17K)                | 19                | W10295997       | Screw, Valve                         | 37                | W10276466       | Bracket, Manifold (Bottom)  |
|                   | W10718182       | Valve (5K)                 | 20                | W10272528       | Baffle, Bake                         | 38                | 7101P653-60     | Screw   |
|                   |                 | (Left Rear and Right Rear) | 21                | 7101P338-60     | Screw                                | 39                | 8273062         | Screw   |
|                   | W10718181       | Valve (10K)                | 22                | 3601F358-45     | Baffle, Broil Burner                 |                   |                 | FOLLOWING PARTS NOT ILLUSTRATED                                   |
|                   |                 | (Right Front and Center)   | 23                | 7101P282-60     | Screw                                |                   | W10591270       | Kit, LP Conversion  |
| 9                 | 7103P030-60     | Nut, Wing                  | 24                | W10524331       | Tubing (Supply Regulator to Shutoff) |                   | W10324646       | Insulation, Orifice   |
| 10                | W11191260       | Burner, Broiler            | 25                | 7101P624-60     | Screw                                |                   |                 |   |

# CHASSIS PARTS

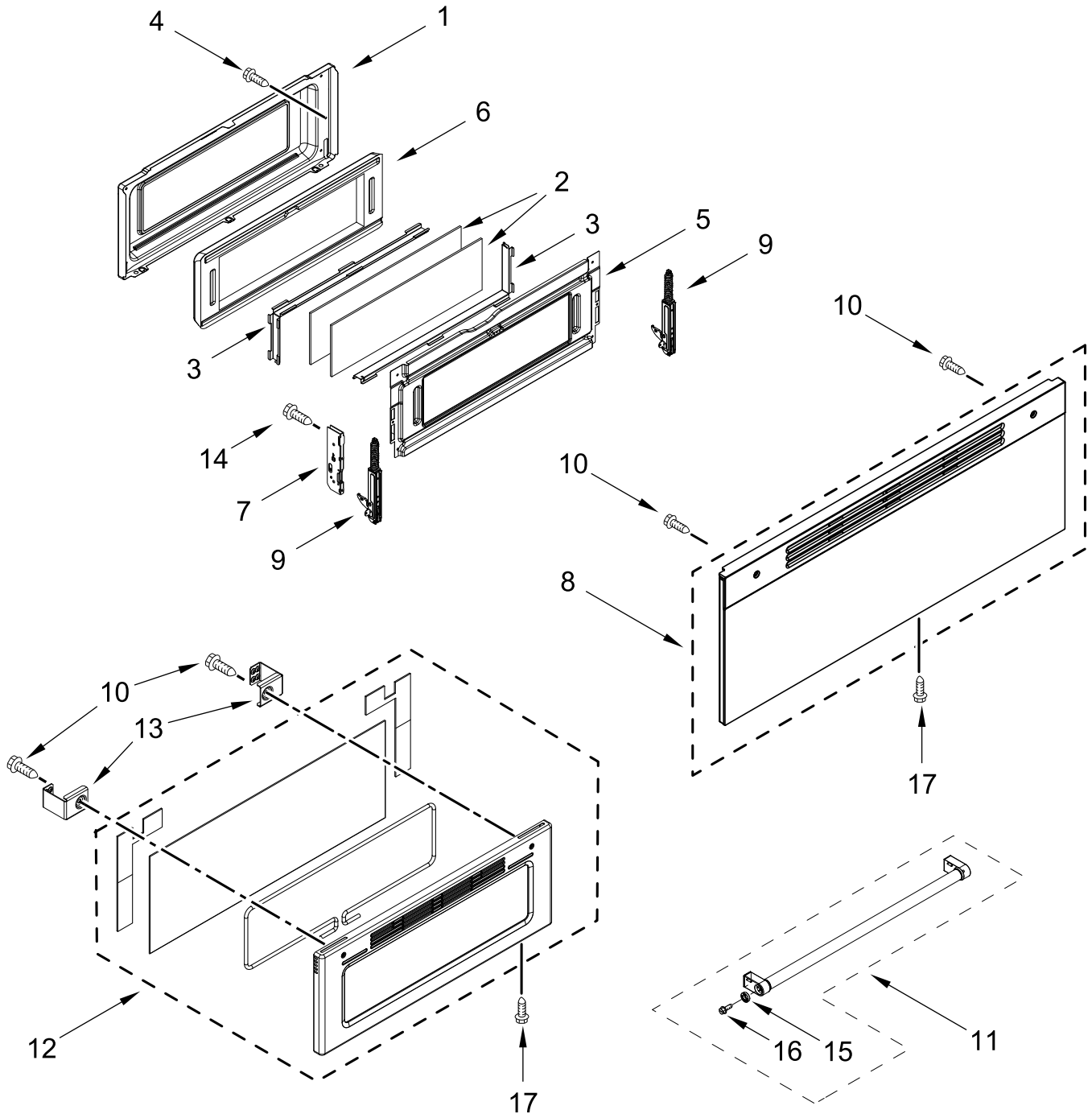




# CHASSIS PARTS

| <u>Illus. No.</u> | <u>Part No.</u> | <u>Description</u>         | <u>Illus. No.</u> | <u>Part No.</u> | <u>Description</u>            | <u>Illus. No.</u> | <u>Part No.</u> | <u>Description</u>              |
|-------------------|-----------------|----------------------------|-------------------|-----------------|-------------------------------|-------------------|-----------------|---------------------------------|
| 1                 | W10319038       | Shield, Gemini             | 15                | W10668728       | Back, Main                    | 29                | W11509400       | Base, Chassis                   |
| 2                 | W11479123       | Spacer, Side Panel         | 16                | W10321446       | Assembly, Outlet Flue (Upper) | 30                | W10410463       | Cover, Hinge (Left)             |
| 3                 | W10267456       | Screw, Shoulder            |                   |                 |                               |                   | W10410461       | Cover, Hinge (Right)            |
| 4                 | W11532469       | Panel, Side                |                   | W10321445       | Assembly, Outlet Flue (Lower) | 31                | 311255          | Bulb, Oven Light                |
|                   | W11532477       | White                      | 17                | 7101P426-60     | Screw                         | 32                | W11515376       | Front, Main (Upper)             |
|                   |                 | Black                      | 18                | W10319087       | Bracket, U Channel            | 33                | 8285593         | Cover, Connector                |
|                   |                 | (For Stainless Model Only) | 19                | 7101P485-60     | Screw, Anti-Tip Kit           | 34                | W10626077       | Cover, Inner Main Back          |
| 5                 | 3801F656-51     | Bracket, Anti-Tip          | 20                | W10863342       | Support, Lower Oven           | 35                | W10626078       | Cover, Outer Main Back          |
| 6                 | W10319000       | Gasket, Gemini Oven Shield | 21                | W11544370       | Light Assembly                | 36                | 3196176         | Screw                           |
| 7                 | W10357697       | Bracket, Side Panel        | 22                | W10683517       | Lock, Rear Mount              | 37                | 4449743         | Screw                           |
| 8                 | 7101P507-60     | Foot, Leveler              | 23                | W10538516       | Shield, Side Insulation       |                   |                 | FOLLOWING PARTS NOT ILLUSTRATED |
| 9                 | W10105790       | Bumper & Screw             | 24                | W10324643       | Support, Insulation           |                   |                 | (Upper)                         |
| 10                | 7430P044-60     | Sensor, Oven               | 25                | W11507143       | Gasket, Oven Door             |                   |                 | W10344586                       |
| 11                | W10268558       | Cover, Lower Wire          |                   |                 | (Upper)                       |                   |                 | Insulation, Floor               |
| 12                | 7101P636-60     | Screw (White)              |                   | W11491753       | Gasket, Oven Door             |                   |                 | W10318910                       |
| 13                | W10261387       | Cover, Main Wire           |                   |                 | (Lower)                       |                   |                 | Insulation, Wrapper             |
| 14                | W11040249       | Assembly, Flue (Upper)     | 26                | 7101P375-60     | Screw                         |                   |                 | W10318918                       |
|                   | W10272519       | Assembly, Flue (Lower)     | 27                | W11515373       | Front, Main (Lower)           |                   |                 | Insulation, Back (Lower)        |
|                   |                 |                            | 28                | W10292551       | Pan, Oven Bottom              |                   |                 | W10318911                       |
|                   |                 |                            |                   |                 |                               |                   |                 | Insulation, Wrapper             |
|                   |                 |                            |                   |                 |                               |                   |                 | W10204081                       |
|                   |                 |                            |                   |                 |                               |                   |                 | Insulation, Back                |

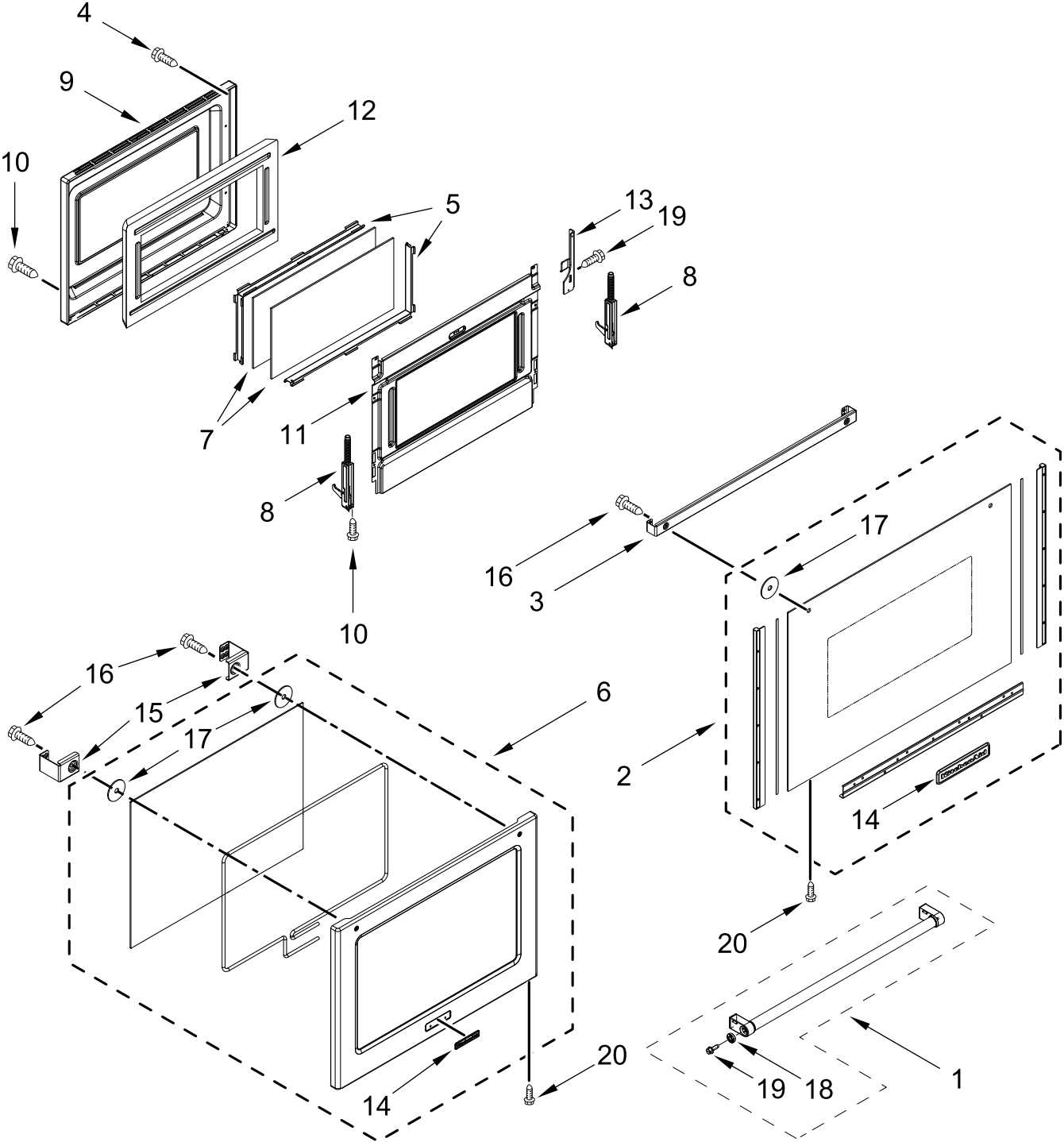
# UPPER DOOR PARTS



# UPPER DOOR PARTS

| <u>Illus. No.</u> | <u>Part No.</u> | <u>Description</u>   | <u>Illus. No.</u> | <u>Part No.</u> | <u>Description</u>   | <u>Illus. No.</u> | <u>Part No.</u> | <u>Description</u> |
|-------------------|-----------------|----------------------|-------------------|-----------------|----------------------|-------------------|-----------------|--------------------|
| 1                 | W11051041       | Lining, Door         | 9                 | W10485733       | Hinge, Door (Left)   | 14                | W10031780       | Screw              |
| 2                 | W11099272       | Glass, Inner         |                   | W10485732       | Hinge, Door (Right)  | 15                | W10551026       | Medallion, Handle  |
| 3                 | W10272708       | Frame, Glass         | 10                | W10898280       | Screw                | 16                | W10656499       | Screw              |
| 4                 | W10292297       | Screw                | 11                |                 | Assembly, Handle     | 17                | W10284411       | Screw with Washer  |
| 5                 | W10485723       | Retainer, Insulation |                   | W11305113       | White                |                   |                 |                    |
| 6                 | W10321271       | Insulation, Door     |                   | W11305108       | Stainless            |                   |                 |                    |
| 7                 | W10289077       | Receiver, Hinge      | 12                |                 | Assembly, Door       |                   |                 |                    |
| 8                 |                 | Assembly, Door       |                   | W11527830       | Stainless            |                   |                 |                    |
|                   | W10654437       | White                | 13                | W10645182       | Bracket, Door Handle |                   |                 |                    |

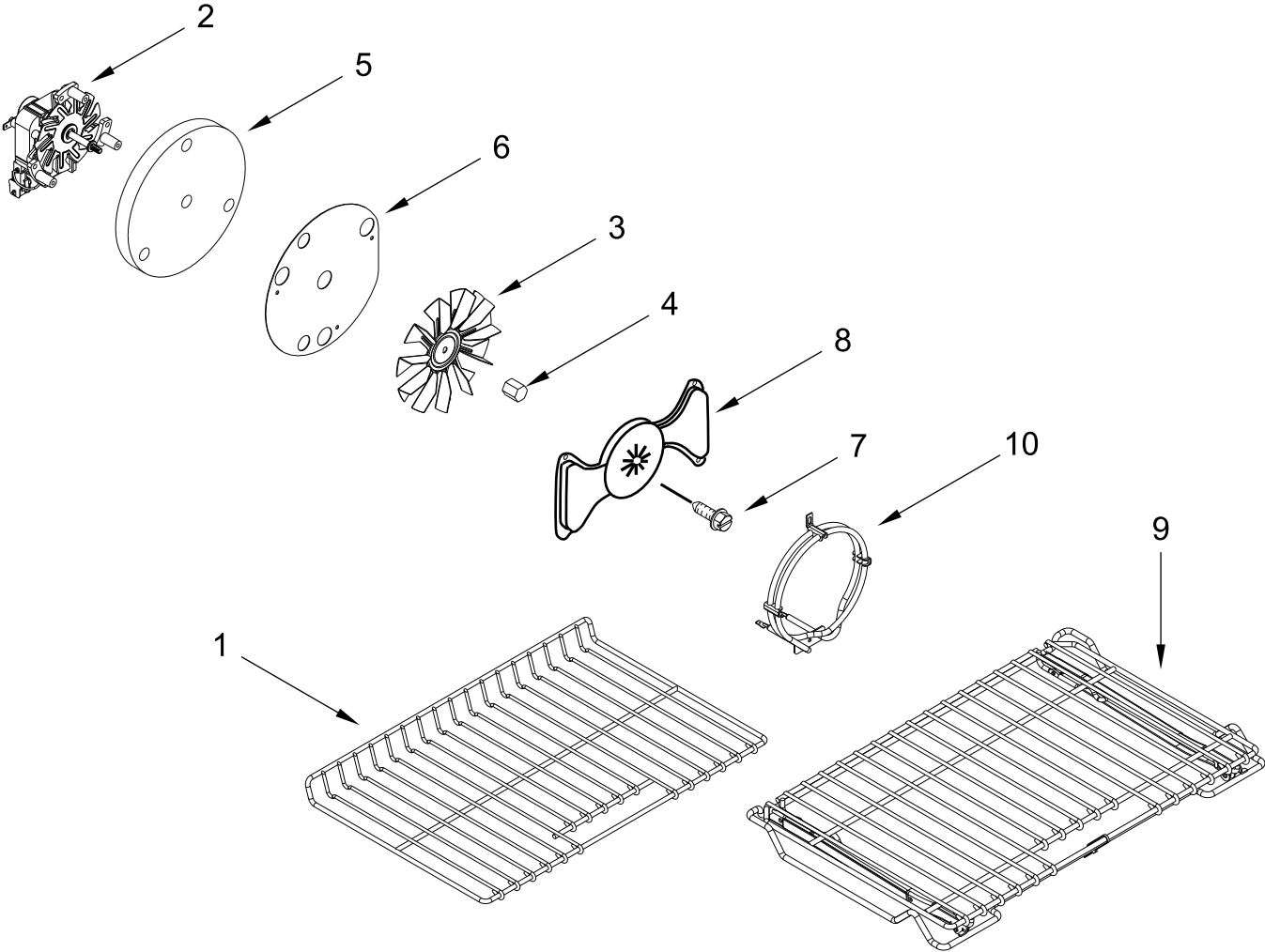
# LOWER DOOR PARTS



# LOWER DOOR PARTS

| <u>Illus.</u><br><u>No.</u> | <u>Part No.</u> | <u>Description</u> | <u>Illus.</u><br><u>No.</u> | <u>Part No.</u> | <u>Description</u>   | <u>Illus.</u><br><u>No.</u> | <u>Part No.</u> | <u>Description</u>   |
|-----------------------------|-----------------|--------------------|-----------------------------|-----------------|----------------------|-----------------------------|-----------------|----------------------|
| 1                           |                 | Assembly, Handle   | 7                           | 9757706         | Glass, Inner         | 14                          | W10518672       | Badge                |
|                             | W11305113       | White              | 8                           | W10335434       | Hinge, Door (Left)   | 15                          | W10645182       | Bracket, Door Handle |
|                             | W11305108       | Stainless          |                             | W10335433       | Hinge, Door (Right)  | 16                          | W10480830       | Screw                |
| 2                           |                 | Assembly, Door     | 9                           | W10292008       | Lining, Door         | 17                          | 7109P084-60     | Washer, Fiber        |
|                             | W11528012       | White              | 10                          | W10292297       | Screw                | 18                          | W10551026       | Medallion, Handle    |
| 3                           | W10294695       | Bracket, Handle    | 11                          | W10340464       | Retainer, Insulation | 19                          | W10656499       | Screw                |
| 4                           | W10898280       | Screw              | 12                          | W10321285       | Insulation, Door     | 20                          | W10284411       | Screw with Washer    |
| 5                           | W10272594       | Frame, Glass       | 13                          | W10272329       | Receiver (Left)      |                             |                 |                      |
| 6                           |                 | Assembly, Door     |                             | W10272328       | Receiver (Right)     |                             |                 |                      |
|                             | W11489780       | Stainless          |                             |                 |                      |                             |                 |                      |

# INTERNAL OVEN PARTS



# INTERNAL OVEN PARTS

| <u>Illus.</u><br><u>No.</u> | <u>Part No.</u> | <u>Description</u> | <u>Illus.</u><br><u>No.</u> | <u>Part No.</u> | <u>Description</u>              | <u>Illus.</u><br><u>No.</u> | <u>Part No.</u> | <u>Description</u>               |
|-----------------------------|-----------------|--------------------|-----------------------------|-----------------|---------------------------------|-----------------------------|-----------------|----------------------------------|
| 1                           | W10570887       | Rack, Oven         | 5                           | W10274268       | Insulation, Convection<br>Motor | 8                           | W10322230       | Baffle, Convection               |
| 2                           | W10631506       | Motor, Convection  | 6                           | W10339476       | Plate, Insulation               | 9                           | W10570870       | Rack, Oven<br>(Telescoping)      |
| 3                           | W10631503       | Blade, Fan         | 7                           | W10720084       | Screw                           | 10                          | W10249980       | Element, Convection<br>(120 VAC) |
| 4                           | W10631504       | Nut, Acorn (LH)    |                             |                 |                                 |                             |                 |                                  |

# OPTIONAL PARTS (NOT INCLUDED)

| <u>Illus.</u><br><u>No.</u> | <u>Part No.</u> | <u>Description</u>                 |
|-----------------------------|-----------------|------------------------------------|
|                             |                 | ACCESSORY PARTS                    |
| W11042467                   |                 | Spray, Stainless Steel<br>Cleaning |
|                             |                 | Medallion, Handle                  |
| W10846205                   |                 | Chrome                             |
| W10846206                   |                 | Black                              |
| W10846207                   |                 | Red                                |
|                             |                 | Paint, Touch-Up<br>(1/2-oz.)       |
| 72017                       |                 | White                              |
| 72032                       |                 | Black                              |
|                             |                 | Paint, Spray (12-oz.)              |
| 350930                      |                 | White                              |
| 285006                      |                 | Black                              |
| 350942                      |                 | White Primer                       |
|                             |                 | PAINT, BULK (1 qt.)                |
| 799344                      |                 | White (Uncut)                      |