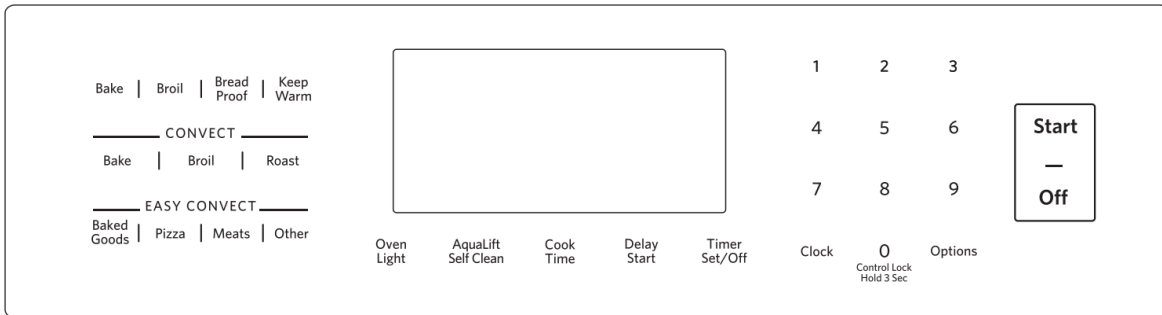
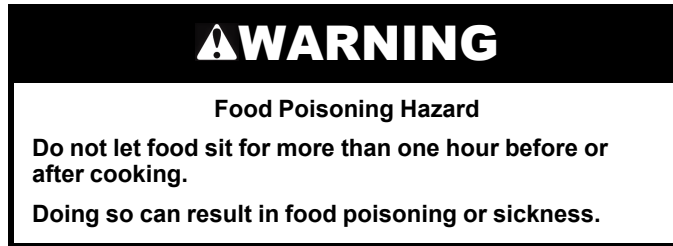


Freestanding Gas Range Control Guide

FEATURE GUIDE

WARNING: To reduce the risk of fire, electric shock, or injury to persons, read the IMPORTANT SAFETY INSTRUCTIONS, located in your appliance's Owner's Manual, before operating this appliance.

This manual covers several models. Your model may have some or all of the items listed. Refer to this manual or the Frequently Asked Questions (FAQs) section of our website at www.kitchenaid.com for more detailed instructions. In Canada, refer to the Customer Service Section at www.kitchenaid.ca.



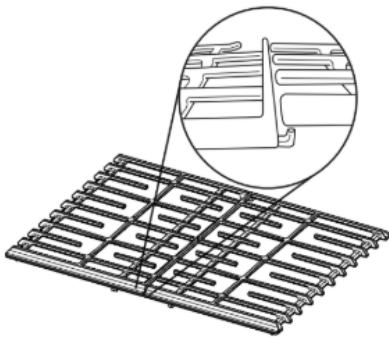
KEYPAD	FEATURE	INSTRUCTIONS
CLOCK	Clock	This clock can use a 12- or 24-hour cycle. See “Electronic Oven Controls” section. <ol style="list-style-type: none"> 1. Press CLOCK. 2. Press “3” for AM or “6” for PM. 3. Press the number keypads to set the time of day. 4. Press CLOCK or START.
OVEN LIGHT	Oven cavity light	While the oven door is closed, press OVEN LIGHT to turn the lights on and off. The oven light will come on when the oven door is opened.
TIMER SET/OFF	Oven timer	The Timer can be set in hours or minutes up to 9 hours and 59 minutes. <ol style="list-style-type: none"> 1. Press TIMER SET/OFF. 2. Press the number keypads to set the length of time in hr-min-min. Leading zeros do not have to be entered. For example, for 2 minutes, enter “2.” 3. Press TIMER SET/OFF to begin the countdown. If enabled, end-of-cycle tones will sound at the end of countdown. 4. Press TIMER SET/OFF to cancel the Timer and return to the Time of Day. Do not press the Off keypad because the oven will turn off.
START	Cooking start	The Start pad begins any oven function. If Start is not pressed within 2 minutes after pressing a keypad, the function is canceled and the time of day is displayed.
OFF	Range function	The Off keypad stops any oven function except the Clock, Timer and Control Lock.
BAKE	Baking and roasting	<ol style="list-style-type: none"> 1. Press BAKE. 2. Press the number keypads to set the desired temperature. If the temperature entered is not in the range of the temperatures allowed, the minimum or maximum allowed temperature will be displayed. Enter a temperature in the allowable range. 3. Press START. 4. To change the temperature, repeat Step 2. Press START for the change to take effect. 5. Press OFF when finished.

KEYPAD	FEATURE	INSTRUCTIONS
BROIL	Broiling	<ol style="list-style-type: none"> 1. Press BROIL. 2. Select the broiling temperature by pressing “1” - high (500°F [261°C]), “2” - medium (450°F [234°C]) or “3” - low (400°F [204°C]). 3. Press START. 4. Position the cookware in the oven and close the door. 5. Press OFF when finished.
CONVECT BAKE	Convection cooking	<ol style="list-style-type: none"> 1. Press CONVECT BAKE. 2. Press the number keypads to set the desired temperature. If the temperature entered is not in the range of the temperatures allowed, the minimum or maximum allowed temperature will be displayed. Enter a temperature in the allowable range. 3. Press START. 4. To change the temperature, repeat Step 2. Press START for the change to take effect. 5. Press OFF when finished.
CONVECT ROAST	Convection cooking	<ol style="list-style-type: none"> 1. Press CONVECT ROAST. 2. Press the number keypads to set the desired temperature. If the temperature entered is not in the range of the temperatures allowed, the minimum or maximum allowed temperature will be displayed. Enter a temperature in the allowable range. 3. Press START. 4. To change the temperature, repeat Step 2. Press START for the change to take effect. 5. Press OFF when finished.
CONVECT BROIL	Convection cooking	<ol style="list-style-type: none"> 1. Press CONVECT BROIL. 2. Press the number keypads to set the desired temperature. If the temperature entered is not in the range of the temperatures allowed, the minimum or maximum allowed temperature will be displayed. Enter a temperature in the allowable range. 3. Press START. 4. To change the temperature, repeat Step 2. Press START for the change to take effect. 5. Press OFF when finished.
EASYCONVECT™ CONVERSION	Recipe conversion for convection cooking	<p>NOTE: For best results, preheat your oven to the required temperature prior to using EasyConvect Conversion. After preheating is complete, press OFF before using EasyConvect Conversion.</p> <ol style="list-style-type: none"> 1. Press the appropriate EasyConvect key (MEATS, PIZZA, BAKED GOODS or OTHER). 2. Press START. 3. Press the number keypads to enter the standard cooking temperature, and then press START. 4. Press the number keypads to enter the standard cook time, and then press START. 5. Place food in the oven. Check food for doneness before the stop time is reached. If food will not be done when stop time is reached, add more cooking time before time elapses. See the “Cook Time” section. At the end of the stop time, the oven will automatically turn off. 6. Press OFF when finished. <p>Refer to “EasyConvect Conversion” section in the Quick Start Guide for more information.</p>
BREAD PROOF	Proofing bread	<ol style="list-style-type: none"> 1. Press BREAD PROOF until the desired proof is displayed (“Standard Proof” or “Rapid Proof”). NOTE: “Rapid Proof” operates at a slightly higher temperature for second rise of formed dough. 2. Press START. Let the dough rise until nearly doubled in size. Proofing time may vary depending on dough type and quantity. 3. Press OFF when finished proofing. <p>Refer to the “Proofing Bread” section for more information.</p>
KEEP WARM	Hold warm	<p>Food must be at serving temperature before placing it in the warmed oven.</p> <ol style="list-style-type: none"> 1. Press KEEP WARM. 2. Press the number keypads to set the desired temperature. If the temperature entered is not in the range of the temperatures allowed, the minimum or maximum allowed temperature will be displayed. Enter a temperature in the allowable range. 3. Press START. 4. Press OFF when finished.

KEYPAD	FEATURE	INSTRUCTIONS
DELAY START	Delayed start	The Delay Start keypad is used to enter the starting time for an oven function with a delayed start. Delay Start should not be used for foods such as breads and cakes because they may not bake properly. To set a Cook Time or a Delayed Cook Time, see “Cook Time” section.
COOK TIME	Cook time	Cook Time allows the oven to be set to turn on at a certain time of day, cook for a set length of time, and/or shut off automatically. To set a Cook Time or a Delayed Cook Time, see “Cook Time” section.
AQUALIFT SELF CLEAN	AquaLift® self-clean cycle	See the “Clean Cycle” section in the Owner’s Manual.
CONTROL LOCK hold 3 sec. to lock	Oven control lockout	No keypads will function with the controls locked. <ol style="list-style-type: none"> 1. Check that the oven and the Timer are off. 2. Press and hold the “0” keypad for 3 seconds. 3. If enabled, a tone will sound, and “CONTROL LOCKED” will be displayed. 4. Repeat to unlock.
OPTIONS	Oven use functions	Enables you to personalize the audible tones and oven operation to suit your needs.

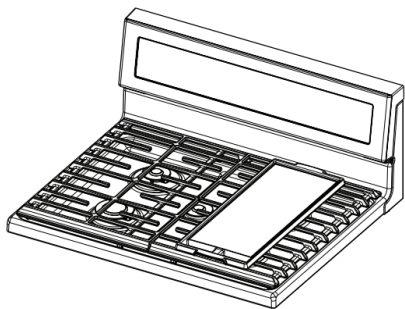
Grates

The grates on this range cover the full width of the cooktop. The two grates may interlock (on some models), using the hook formed into one end of both grates. The flat end of one grate drops onto the hook on the other grate as shown in the following illustration.



On some models, the two grates are identical and can be used on either the left or right side of the cooktop. Grates that are designed for use on only one side of the cooktop will have either “LEFT” or “RIGHT” embossed on the bottom side of the grate.

Griddle



Griddle installed on right side of cooktop

To Use the Griddle:

1. Locate the griddle on the right side grate as shown. The locating feet on the bottom of the griddle will engage the grate tines to keep the griddle from sliding.
2. Before each use, brush on a thin layer of cooking oil to keep food from sticking. Cooking sprays may leave a sticky residue on the griddle that is hard to remove.

3. Preheat the griddle for 5 minutes. Preheating the griddle slowly will ensure even heat distribution and will avoid warping the griddle.
4. For preheating and cooking, set the front burner to the lowest heat setting and the rear burner to Medium-High heat for best performance.

NOTE: The griddle may also be used on the left side grate. For best results, the rear burner setting should be set to Medium-Low or Medium, and the front burner setting should be set to Low.

To Clean the Griddle:

1. Let the griddle cool, and then empty the drip tray
2. See the “General Cleaning” section of your Owner’s Manual for cleaning instructions.
3. Store griddle in a cool dry place.

AquaLift® Self-Cleaning Technology



AquaLift® Self-Cleaning Technology is a first-of-its-kind cleaning solution designed to minimize the time, temperature, and odors that ordinarily come with traditional self-cleaning methods. With AquaLift® Self-Cleaning Technology, an innovative coating on the interior of the oven is activated with heat and water to release baked-on soil. To use AquaLift® Self-Cleaning Technology, simply wipe out loose debris, pour water into the oven bottom, and run the AquaLift® Self-Cleaning cycle. When the cycle finishes in under 1 hour at a lower temperature than in traditional self-cleaning methods, just wipe out the remaining water and loose debris. See the “Clean Cycle” section in the Owner’s Manual for more detailed instructions. For additional information, frequently asked questions and videos on using AquaLift® Self-Cleaning Technology, visit our website at <http://whirlpoolcorp.com/aqualift>.

Surface Temperatures

When the range is in use, all range surfaces may become hot, such as the knobs and oven door.

Baking, Warming or Storage Drawer

When the oven is in use, the drawer may become hot. Do not store plastics, cloth, or other items that could melt or burn in the drawer.

Oven Vent

The oven vent releases hot air and moisture from the oven, and should not be blocked or covered. Do not set plastics, paper, or other items that could melt or burn near the oven vent.

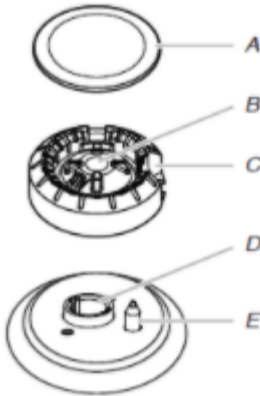
Sealed Surface Burners

IMPORTANT: Do not obstruct the flow of combustion and ventilation air around the burner grate edges.

Burner cap: Always keep the burner cap in place when using a surface burner. A clean burner cap will help avoid poor ignition and uneven flames. Always clean the burner cap after a spillover and routinely remove and clean the caps according to the "General Cleaning" section in the Owner's Manual.

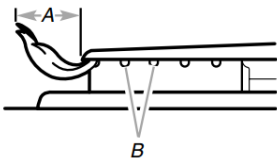
NOTE: Each round burner base is marked with a letter indicating the burner size.

Alignment: Be sure to align the gas tube opening in the burner base with the orifice holder on the cooktop and the igniter electrode with the notch in the burner base.



A. Burner cap D. Orifice holder
 B. Gas tube opening E. Igniter electrode
 C. Burner base

Gas tube opening: Gas must flow freely throughout the gas tube opening for the burner to light properly. Keep this area free of soil and do not allow spills, food, cleaning agents, or any other material to enter the gas tube opening. Keep spillovers out of the gas tube opening by always using a burner cap.



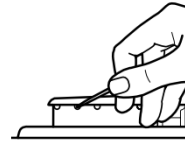
A. 1-1/2" (2.5-3.8 cm)
 B. Burner ports

Burner Ports: Check burner flames occasionally for proper size and shape as shown in the previous illustration. A good flame is blue in color, not yellow. Keep this area free of soil and do not allow spills, food, cleaning agents, or any other material to enter the burner ports.

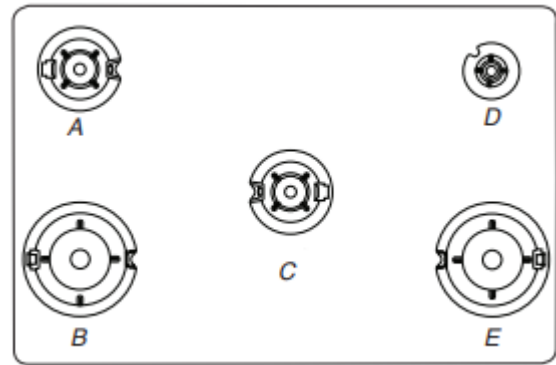
To Clean:

IMPORTANT: Before cleaning, make sure all controls are off and the cooktop is cool. Do not use oven cleaners, bleach or rust removers. Do not wash in the dishwasher.

1. Remove the burner cap from the burner base and clean according to "General Cleaning" section in the Owner's Manual.
2. Clean the gas tube opening with a damp cloth.
3. Clean clogged burner ports with a straight pin as shown. Do not enlarge or distort the port. Do not use a wooden toothpick. If the burner needs to be adjusted, contact a trained repair specialist.



4. Replace the burner base. The burner bases and caps must be properly positioned before cooking. Each round burner base is marked with a letter indicating the burner size. See the following illustration for burner positions:



A. Medium (Semi Rapid) D. Small (Auxiliary)
 B. Large (Ultra Rapid) E. Large (Ultra Rapid)
 C. Medium (Semi Rapid)

5. Replace the burner cap, making sure it is properly aligned with the burner base. If burner caps are not properly positioned, surface burners will not light. The burner cap should not rock or wobble when properly aligned.



A. Incorrect
 B. Correct

IMPORTANT: The bottom of the small and medium caps are different. Do not put the wrong size burner cap on the burner base.

NOTE: Each round burner base is marked with a letter indicating the burner size.



- Turn on the burner. If the burner does not light, check cap alignment. If the burner still does not light, turn off the burner. Do not service the burner yourself. Contact a trained repair specialist.

Cookware

IMPORTANT: Do not leave empty cookware on a hot surface cooking area, element or surface burner.

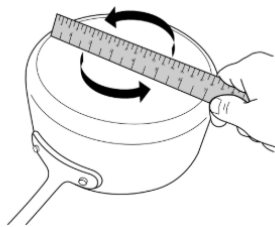
Ideal cookware should have a flat bottom, straight sides and a well-fitting lid, and the material should be of medium-to-heavy thickness.

Rough finishes may scratch the cooktop or grates/coils. Aluminum and copper may be used as a core or base in cookware. However, when used as a base they can leave permanent marks on the surfaces.

Cookware material is a factor in how quickly and evenly heat is transferred, which affects cooking results. A nonstick finish has the same characteristics as its base material. For example, aluminum cookware with a nonstick finish will take on the properties of aluminum.

Cookware with nonstick surfaces should not be used under the broiler.

Check for flatness by placing the straight edge of a ruler across the bottom of the cookware. While you rotate the ruler, no space or light should be visible between it and the cookware.



Use the following chart as a guide for cookware material characteristics.

Cookware	Characteristics
Aluminum	<ul style="list-style-type: none"> Heats quickly and evenly. Suitable for all types of cooking. Medium or heavy thickness is best for most cooking tasks.
Cast iron	<ul style="list-style-type: none"> Heats slowly and evenly. Good for browning and frying. Maintains heat for slow cooking.
Ceramic or Ceramic glass	<ul style="list-style-type: none"> Follow manufacturer's instructions. Heats slowly, but unevenly. Ideal results on low to medium heat settings.

Cookware	Characteristics
Copper	<ul style="list-style-type: none"> Heats very quickly and evenly. May leave copper residues, which may be diminished if cleaned immediately after cooking.
Earthenware/ Stoneware	<ul style="list-style-type: none"> Follow manufacturer's instructions. Use on low heat settings.
Porcelain enamel-on-steel or cast iron	<ul style="list-style-type: none"> See stainless steel or cast iron.
Stainless steel	<ul style="list-style-type: none"> Heats quickly, but unevenly. A core or base of aluminum or copper on stainless steel provides even heating.

For best results, the cookware should be centered above the burner with the bottom sitting level on the grate. The flame should be adjusted so that it does not extend up the sides of the pan.



Home Canning

When canning for long periods, alternate the use of surface burners between batches. This allows time for the most recently used areas to cool.

- Center the canner on the grate above the burner.
- Do not place canner on 2 surface burners at the same time.
- For more information, contact your local agricultural extension office or refer to published home canning guides. Companies that manufacture home canning products can also offer assistance.

OVEN USE

The normal operation of the range will include several noises that may be heard each time the Bake or Broil burners ignite during the cooking cycle:

- Gas valves may make a "popping" sound when opening or closing.
- Igniters will "click" several times until a flame is sensed.
- A "poof" sound is heard when a bake or broil burner ignites.

Odors and smoke are normal when the oven is used the first few times or when it is heavily soiled.

IMPORTANT: The health of some birds is extremely sensitive to the fumes given off. Exposure to the fumes may result in death to certain birds. Always move birds to another closed and well-ventilated room.

NOTE: On some models: The convection fan will shut off when the oven door is opened. If the oven door remains open for too long, the heating elements will shut off until the oven door is closed. All timers, including any active Cook Time or Timed Cook functions, will continue to count down.

Electronic Oven Controls

Control Display

The display will light up when first powered up or after a power loss. When oven is not in use, the time of day is displayed.

Tones

Tones are audible signals, indicating the following:

One Tone

- Valid keypad press
- Oven is preheated (long tone)
- Function has been entered.
- Kitchen timer (long tone with a reminder tone every 60 seconds).

Three Tones

- Invalid keypad press

Four Tones

- End of cycle (with a reminder tone every 60 seconds).

Use the Options key to change the tone settings.

Options

Many features of the oven control can be adjusted to meet your personal needs. These changes are made using the Options keypad.

Use the Options keypad to scroll through the features that can be changed. Each press of the Options keypad will advance the display to the next setting. After selecting the feature to be changed, the control will prompt you for the required input. Details of all of the feature changes are explained in the following sections.

Press OFF to exit Options.

Fahrenheit and Celsius

The temperature is preset to Fahrenheit but can be changed to Celsius.

1. Press OPTIONS until "TEMP UNIT" is displayed.
2. The current setting will be displayed.
3. Press the "1" keypad to adjust the setting.
4. Press OFF to save the setting and display the time of day.

Audible Tones Disable

Turns off all tones, including the end of cycle tone and key press tones.

1. Press OPTIONS until "SOUND" is displayed.
2. The current setting will be displayed.
3. Press the "1" keypad to adjust the setting.
4. Press OFF to save the setting and display the time of day.

Sound Volume

Sets the pitch of the tone to either high or low.

1. Press OPTIONS until "SOUND VOLUME" is displayed.
2. The current setting will be displayed.
3. Press the "1" keypad to adjust the setting.
4. Press OFF to save the setting and display the time of day.

End-of-Cycle Tone

Activates or turns off the tones that sound at the end of a cycle.

1. Press OPTIONS until "END TONE" is displayed.
2. The current setting will be displayed.
3. Press the "1" keypad to adjust the setting.
4. Press OFF to save the setting and display the time of day.

Keypress Tones

Activates or turns off the tones when a keypad is pressed.

1. Press OPTIONS until "KEYPRESS TONE" is displayed.
2. The current setting will be displayed.
3. Press the "1" keypad to adjust the setting.
4. Press OFF to save the setting and display the time of day.

Reminder Tones Disable

Turns off the short repeating tone that sounds every 1 minute after the end-of-cycle tones.

1. Press OPTIONS until "REMINDER TONE" is displayed.
2. The current setting will be displayed.
3. Press the "1" keypad to adjust the setting.
4. Press OFF to save the setting and display the time of day.

12/24 Hour Clock

1. Press OPTIONS until "12/24 HOUR" is displayed.
2. The current setting will be displayed.
3. Press the "1" keypad to adjust the setting.
4. Press OFF to save the setting and display the time of day.

Demo Mode

IMPORTANT: This feature is intended for use on the sales floor with 120 V power connection and permits the control features to be demonstrated without heating elements or burners turning on. If this feature is activated, the oven will not work.

1. Press OPTIONS until "DEMO MODE" is displayed.
2. The current setting will be displayed.
3. Press the "1" keypad to adjust the setting.
4. Press OFF to save the setting and display the time of day.

12-Hour Shutoff

The oven control is set to automatically shut off the oven 12 hours after the oven initiates a cook or clean function. This will not interfere with any timed or delay cook functions.

1. Press OPTIONS until "12 HR AUTO OFF" is displayed.
2. The current setting will be displayed.
3. Press the "1" keypad to adjust the setting.
4. Press OFF to save the setting and display the time of day.

Languages: Scrolling Display Text

Language options are English, Spanish, and French.

1. Press OPTIONS until "LANGUAGE" is displayed.
2. The current setting will be displayed.
3. Press the number keypads to adjust the setting.
4. Press OFF to save the setting and display the time of day.

Energy Save

The Energy Save mode puts the range into Sleep mode and reduces energy consumption.

1. Press OPTIONS until "ENERGY SAVE" is displayed.
2. The current setting will be displayed.
3. Press the "1" keypad to adjust the setting.
4. Press OFF to save the setting and display the time of day.

Oven Temperature Offset Control

IMPORTANT: Do not use a thermometer to measure oven temperature. Elements will cycle on and off as needed to provide consistent temperature but may run slightly hot or cool at any point in time due to this cycling. Most thermometers are slow to react to temperature change and will not provide an accurate reading due to this cycling.

The oven provides accurate temperatures; however, it may cook faster or slower than your previous oven, so the temperature can be adjusted to personalize it for your cooking needs. It can be changed to Fahrenheit or Celsius.

To Adjust Oven Temperature:

1. Press OPTIONS until "TEMP CALIB" is displayed.
2. The current setting will be displayed. Press the "1" keypad to toggle between the oven and the warming drawer.
3. Press START to select the choice displayed in Step 2. Wait 10 seconds for the display to change, or press START, and then continue with Step 4.

- Press the “3” keypad to increase the temperature in 5°F (3°C) increments, or press the “6” keypad to decrease the temperature in 5°F (3°C) increments. The range is from -30°F to +30°F (-18°C to +18°C).
- Press OFF to save the setting and display the time of day.

Keep Warm

IMPORTANT: Food must be at serving temperature before placing it in the warmed oven. Food may be held up to 1 hour; however, breads and casseroles may become too dry if left in the oven during the Keep Warm function. For best results, cover food. The Keep Warm feature allows hot cooked foods to stay at serving temperature.

To Use:

- Press KEEP WARM
- Press the number keypads to set the desired temperature. If the temperature entered is not in the range of the temperatures allowed, the minimum or maximum allowed temperature will be displayed. Enter a temperature in the allowable range.

NOTE: The temperature may be changed at any time by pressing the number keypads to enter the desired temperature and then START.

- Press START.
- Place food in the oven.
- Press OFF when finished.
- Remove food from the oven.

To Cancel Keep Warm:

- Press OFF.
- Remove food from the oven.

Sabbath Mode

The Sabbath Mode sets the oven to remain on in a bake setting until turned off.

When the Sabbath Mode is set, only the Bake cycle will operate. All other cooking and cleaning cycles are disabled. No tones will sound and the displays will not indicate temperature changes.

When the oven door is opened or closed, the oven light will not turn on or off and the heating elements will not turn on or off immediately.

To Enable Sabbath Mode Capability (One Time Only):

- Press OPTIONS until “SABBATH” is displayed.
- Press the “1” keypad. Sabbath Mode can be activated for baking.
- Press START or OFF to save the setting and display the time of day.

NOTE: To disable the Sabbath Mode, repeat steps 1 through 3 to change the status from “SABBATH ON” to “SABBATH OFF.”

To Activate Sabbath Mode:

- Press BAKE.
- Press the number keypads to set the desired temperature. If the temperature entered is not in the range of the temperatures allowed, the minimum or maximum allowed temperature will be displayed. Enter a temperature in the allowable range.
- Press START.
For timed cooking in Sabbath Mode, press COOK TIME and then the number keypads to set the desired cook time. Press START.
- Press OPTIONS. Three tones will sound. Then press “7.” “SAb” will appear in the display.

To Adjust Temperature (When Sabbath Mode is Running):

- Press BAKE.
- Press the number keypad as instructed by the scrolling text to select the new temperature.

NOTE: The temperature adjustment will not appear on the display, and no tones will sound. The scrolling text will be shown on the display as it was before the keypad was pressed.

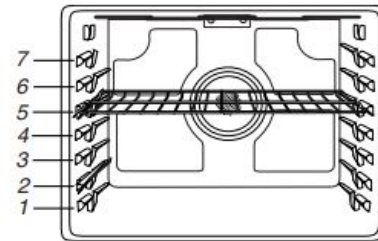
- Press START.

To Deactivate Sabbath Mode:

Press OPTIONS, and then press “7” to return to regular baking, or press OFF to turn off the range.

Positioning Racks and Bakeware

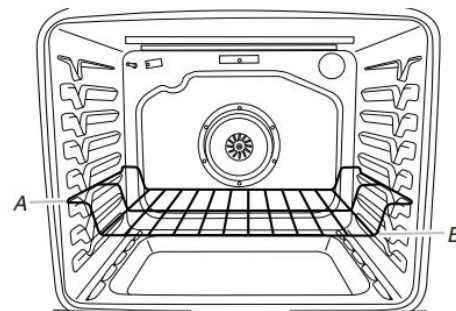
Use the following illustration as a guide.



The oven has seven positions for a flat rack, as shown in the previous illustration and the following table.

Flat Rack Position	Type of Food
7	Broiling/searing meats, hamburgers, steaks
6	Broiled meats, poultry, fish
3 or 4	Most baked goods, casseroles
2	Roasted meats
1	Large roasts or poultry

IMPORTANT: If your model has a Max Capacity Oven Rack, the recessed ends must be placed in the rack position above the desired position of the food. See the following illustration.



A. Ends of rack in position 3
B. Food in position 2

IMPORTANT: These rack positions are for flat racks. If a Max Capacity Oven Rack is used, the rack position must be adjusted as shown in the previous figure.

Bakeware

To cook food evenly, hot air must be able to circulate. Allow 2" (5 cm) of space around bakeware and oven walls. Make sure that no bakeware piece is directly over another.

Multiple Rack Cooking

Two-rack (non-convection): Use rack positions 2 and 5 or 3 and 6.
Two-rack (convection): Use rack positions 2 and 5 or 3 and 6.

Three-rack (convection): Use a flat rack in rack positions 4 and 6 and a Max Capacity Oven Rack in rack position 3.

Baking and Roasting

Preheating

When beginning a Bake, Convection Bake, or Convection Roast cycle, the oven will begin preheating after Start is pressed. The oven will take approximately 12 to 15 minutes to reach 350°F (177°C) with all of the oven racks provided with your oven inside the oven cavity. Higher temperatures will take longer to preheat. The preheat cycle rapidly increases the oven temperature. The actual oven temperature will go above your set temperature to offset the heat lost when your oven door is opened to insert food. This ensures that when you place your food in the oven, the oven will begin at the proper temperature. Insert your food when the preheat tone sounds. Do not open the door during preheat before the tone sounds.

Oven Temperature

While in use, the oven elements will cycle on and off as needed to maintain a consistent temperature, but they may run slightly hot or cool at any point in time due to this cycling. Opening the oven door while in use will release the hot air and cool the oven which could impact the cooking time and performance. It is recommended to use the oven light to monitor cooking progress.

NOTE: On models with convection, the convection fan may run in the non-convection bake mode to improve oven performance.

Temperature Management System

The Temperature Management System electronically regulates the oven heat levels during preheat and bake to maintain a precise temperature range for optimal cooking results. The bake and broil elements or burners cycle on and off in intervals. On convection range models, the fan will run while preheating and may be cycled on and off for short intervals during bake to provide the best results. This feature is automatically activated when the oven is in use.

Before baking and roasting, position racks according to the "Positioning Racks and Bakeware" section. When roasting, it is not necessary to wait for the oven preheat cycle to end before putting food in unless it is recommended in the recipe.

Broiling

No preheating is necessary, unless recommended otherwise in the recipe. Position food on grid in a broiler pan, and then place it in the center of the oven rack.

IMPORTANT: Close the door to ensure proper broiling temperature.

Changing the temperature when Custom Broiling allows more precise control when cooking. The lower the broil setting, the slower the cooking. Thicker cuts and unevenly shaped pieces of meat, fish and poultry may cook better at lower broil settings. Use racks 6 or 7 for broiling. Use rack position 6 if using the roll-out rack. Refer to the "Positioning Racks and Bakeware" section for more information.

- For best results, use a broiler pan and grid. It is designed to drain juices and help avoid spatter and smoke.

If you would like to purchase a broiler pan, one may be ordered. Please refer to the Quick Start Guide for more information.

NOTE: Odors and smoke are normal the first few times the oven is used or if the oven is heavily soiled.

Convection Cooking

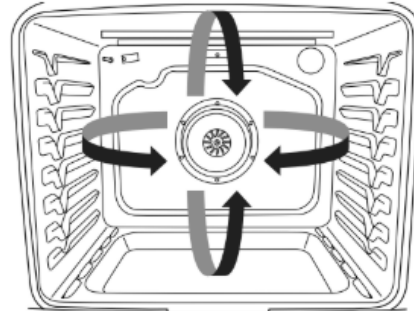
In a convection oven, the fan-circulated hot air continually distributes heat more evenly than the natural movement of air in a standard thermal oven. This movement of hot air helps maintain a consistent temperature throughout the oven, cooking foods more evenly, crisping surfaces while sealing in moisture and yielding crustier breads.

During convection cooking, the bake and broil burners, convection (true convection only) element and fan cycle on and off in intervals to maintain the oven temperature, while the fan circulates the hot air.

NOTE: The convection fan will turn on approximately 5 minutes into any convection cycle.

If the oven door is opened during convection cooking, the fan will turn off immediately. It will come back on when the oven door is closed.

NOTE: The oven door must be closed for convection broiling.

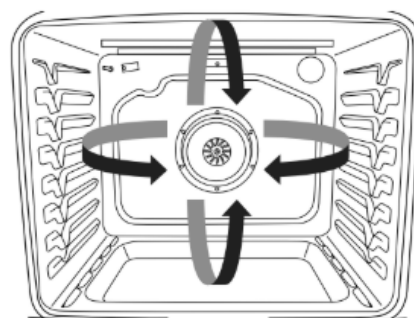


Position the racks according to the "Positioning Racks and Bakeware" section before starting convection cooking.

With convection cooking, most foods can be cooked at a lower temperature or at a shorter time. These adjustments can be made using the following chart or by using the EasyConvect™ Conversion feature on your range.

Setting	Guidelines
CONVECT BAKE	Reduce the standard baking temperature 25°F (15°C).
CONVECT ROAST	Use standard recipe temperature. Cooking time may be reduced by 15% to 30% with Convection Roast so the food should be checked for doneness early.
CONVECT BROIL	Use standard recipe temperature. Cooking time may be reduced so the food should be checked for doneness early.

Bow Tie True Convection with T.H.E.™ Element



True convection adds an electric element around the convection fan to enhance the cooking performance. This feature enables three-rack baking in your range. Use the following Convection Options chart as a guide.

Convect Options

Setting	Foods
CONVECT BAKE	Single or multiple-rack baking for cookies, biscuits, breads, casseroles, tarts, tortes.
CONVECT ROAST	Whole chicken or turkey, vegetables, pork roasts, beef roasts.
CONVECT BROIL	Thicker cuts or unevenly shaped pieces of meat, fish or poultry.

EasyConvect™ Conversion

Convection cooking temperatures and times can differ from those of standard cooking. Depending upon the selected category, EasyConvect™ conversion automatically reduces the standard recipe temperature and/or time you input for convection cooking.

Foods are grouped into four general categories. Choose the category most appropriate for the food to be cooked. Use the following chart as a guide.

Setting	Foods
MEATS	Chicken: whole and pieces Meat loaf, Roasts: pork, beef and ham (Turkey and large poultry are not included because their cook time varies.)
BAKED GOODS	Biscuits, Breads: quick and yeast Cakes and Cookies Casseroles
PIZZA	Fresh pizza, Frozen pizza
OTHER	Frozen convenience foods: french fries, nuggets, fish sticks, lasagna

To Use:

NOTE: For best results, preheat your oven to the desired temperature prior to using Easy Convect™ Conversion. After preheating is complete, press OFF before using EasyConvect™ Conversion.

1. Press the EASY CONVECT key for the desired option (MEATS, BAKED GOODS, PIZZA or OTHER).
2. Press START.
3. Press the number keys to enter standard cook temperature, and then press START.
4. Press the number keys to enter standard cook time, and then press START.
5. Place the food in the oven.

Check food for doneness before the stop time is reached. If food will not be done when the stop time is reached, add more cooking time before time elapses (see the “Cook Time” section). At the end of the stop time, the oven will automatically turn off.

6. Press OFF when finished.
7. Remove food from the oven.

Proofing Bread

Proofing bread prepares the dough for baking by activating the yeast. Follow the recipe directions as a guide. Standard Proof should be used for fresh dough, thawed dough, and for the first and second rise. Rapid Proof (on some models) operates at a slightly higher temperature than Standard Proof, and it can be used for the second rise of formed dough.

To Proof:

Before first proofing, place the dough in a lightly greased bowl and cover loosely with wax paper, coated with shortening. Place in position 2, and then close the oven door.

1. Press BREAD PROOF until the desired proof is displayed (“Standrd” or “Rapid”).
2. Press START.

Let the dough rise until nearly doubled in size. Proofing time may vary depending on dough type and quantity.

3. Press OFF when finished proofing.

Before second proofing, shape the dough, place it in baking pan (s) and then cover loosely. Follow the same placement and control steps above. Before baking, remove the cover.

NOTE: If the oven temperature is greater than 120°F (49°C), the display will indicate “oven cooling” until the temperature is below 120°F (49°C).

Cook Time

To Set a Timed Cook:

1. Press BAKE, CONVECT BAKE, CONVECT ROAST or CONVECT BROIL.
2. Press the number keypads to set the desired temperature. If the temperature entered is not in the range of the temperatures allowed, the minimum or maximum allowed temperature will be displayed. Enter a temperature in the allowable range.
3. Press COOK TIME.
4. Press the number keypads to enter the length of time to cook.
5. Press START. The display will count down the time. When the time ends, the oven will shut off automatically.

The temperature and/or time setting can be changed at any time by repeating steps 2 through 5.

6. Press OFF to clear the display.

NOTE: The time setting for any timed cooking function, including EasyConvect™ Conversion, can be adjusted by following the previous steps 3 through 5.

To Set a Delayed Timed Cook:

1. Press DELAY START.
2. Press the number keypads to enter the number of hours and/or minutes you want to delay the start time.
3. Press BAKE, CONVECT BAKE, CONVECT ROAST or CONVECT BROIL.
4. Press the number keypads to set the desired temperature. If the temperature entered is not in the range of the temperatures allowed, the minimum or maximum allowed temperature will be displayed. Enter a temperature in the allowable range.
5. Press START or COOK TIME.
6. Press number keypads to enter the length of time to cook.
7. Press START.

When the start time is reached, the oven will automatically turn on. The temperature and/or time settings can be changed after the delay countdown by repeating steps 1 through 7. When resetting the time and temperature, it is necessary to press Start between steps 4 and 5 to continue making changes.

When the set cook time ends, the oven will shut off automatically.

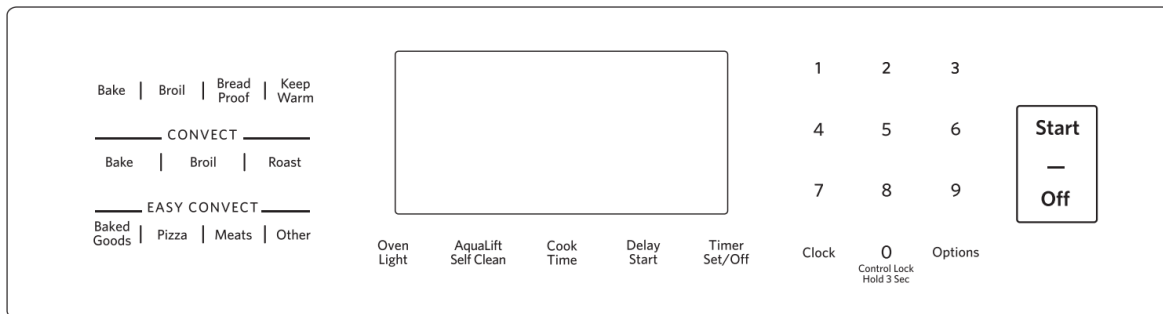
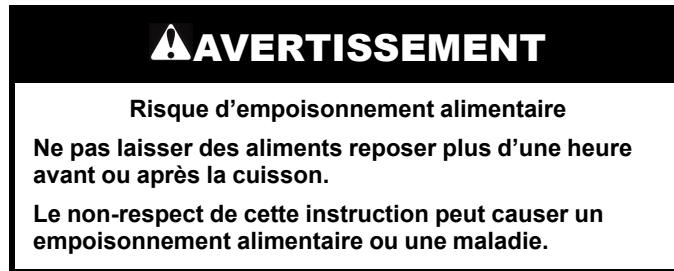
8. Press OFF to clear the display.

Guide des commandes de la cuisinière à gaz autoportante

GUIDE DES CARACTÉRISTIQUES

AVERTISSEMENT : Pour réduire le risque d'incendie, de décharge électrique ou de blessures, lire les INSTRUCTIONS IMPORTANTES DE SÉCURITÉ du guide d'utilisation de votre appareil avant de faire fonctionner cet appareil.

Ce manuel concerne plusieurs modèles. Le modèle que vous avez peut comporter toutes les caractéristiques énumérées ou seulement certaines d'entre elles. Se reporter à ce manuel ou à la section Foire Aux Questions (FAQ) de notre site Web sur www.kitchenaid.com pour des instructions plus détaillées. Au Canada, consulter la section Service à la clientèle sur www.kitchenaid.ca.



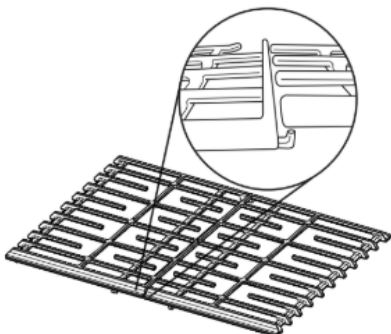
TOUCHE	FONCTION	INSTRUCTIONS
CLOCK (horloge)	Horloge	Cette horloge peut utiliser un programme de 12 ou 24 heures. Voir la section « Commandes électroniques du four ». <ol style="list-style-type: none"> 1. Appuyer sur CLOCK (horloge). 2. Appuyer sur « 3 » pour AM (heure du matin) ou « 6 » pour PM (heure de l'après-midi). 3. Appuyer sur les touches numériques pour régler l'heure du jour. 4. Appuyer sur CLOCK (horloge) ou START (mise en marche).
OVEN LIGHT (lampe du four)	Lampe de la cavité du four	Alors que la porte du four est fermée, appuyer sur OVEN LIGHT (lampe du four) pour allumer ou éteindre la lampe. La lampe du four s'allume à l'ouverture de la porte.
TIMER SET/OFF (réglage/arrêt de la minuterie)	Minuterie du four	La minuterie peut être réglée en heures ou en minutes jusqu'à concurrence de 9 heures et 59 minutes. <ol style="list-style-type: none"> 1. Appuyer sur TIMER SET/OFF (réglage/arrêt de la minuterie). 2. Appuyer sur les touches numériques pour régler la durée en hr-min-min. Les zéros de gauche peuvent ne pas être entrés. Par exemple, pour saisir 2 minutes, appuyer sur « 2 ». 3. Appuyer sur TIMER SET/OFF (réglage/arrêt de la minuterie) pour commencer le compte à rebours. Si activés, les signaux sonores de fin de programme retentissent à la fin du compte à rebours. 4. Appuyer sur TIMER SET/OFF (réglage/arrêt de la minuterie) pour annuler la minuterie et revenir à l'heure du jour. Ne pas appuyer sur la touche Off (arrêt), sinon le four s'éteindra.
START (mise en marche)	Démarrage de la cuisson	La touche Start met en marche n'importe quelle fonction du four. Si, après avoir appuyé sur une touche, on n'appuie pas sur Start (mise en marche) dans les 2 minute qui suivent, la fonction est annulée et l'heure s'affiche.
OFF (arrêt)	Fonction de la cuisinière	La touche Off (arrêt) désactive toutes les fonctions du four à l'exception de l'horloge, de la minuterie et du verrouillage des commandes.

TOUCHE	FONCTION	INSTRUCTIONS
BAKE (cuisson au four)	Cuisson au four et rôtissage	<ol style="list-style-type: none"> 1. Appuyer sur BAKE (cuisson au four). 2. Utiliser les touches numériques pour régler la température souhaitée. Si la température entrée ne se trouve pas dans la fourchette des températures autorisées, la température minimale ou maximale autorisée s'affiche. Entrer une température dans la fourchette autorisée. 3. Appuyer sur START (mise en marche). 4. Pour changer la température, répéter l'étape 2. Appuyer sur START (mise en marche) pour que le changement prenne effet. 5. Appuyer sur OFF (arrêt) après avoir terminé.
BROIL (cuisson au gril)	Cuisson au gril	<ol style="list-style-type: none"> 1. Appuyer sur BROIL (cuisson au gril). 2. Sélectionner la température de cuisson au gril en appuyant sur « 1 » – élevée (500 °F [261 °C]), « 2 » – moyenne (450 °F [234 °C]) ou « 3 » – basse (400 °F [204 °C]). 3. Appuyer sur START (mise en marche). 4. Placer le plat dans le four et fermer la porte. 5. Appuyer sur OFF (arrêt) après avoir terminé.
CONVECT BAKE (cuisson au four par convection)	Cuisson par convection	<ol style="list-style-type: none"> 1. Appuyer sur CONVECT BAKE (cuisson au four par convection). 2. Utiliser les touches numériques pour régler la température souhaitée. Si la température entrée ne se trouve pas dans la fourchette des températures autorisées, la température minimale ou maximale autorisée s'affiche. Entrer une température dans la fourchette autorisée. 3. Appuyer sur START (mise en marche). 4. Pour changer la température, répéter l'étape 2. Appuyer sur START (mise en marche) pour que le changement prenne effet. 5. Appuyer sur OFF (arrêt) après avoir terminé.
CONVECT ROAST (rôtissage par convection)	Cuisson par convection	<ol style="list-style-type: none"> 1. Appuyer sur CONVECT ROAST (rôtissage par convection). 2. Utiliser les touches numériques pour régler la température souhaitée. Si la température entrée ne se trouve pas dans la fourchette des températures autorisées, la température minimale ou maximale autorisée s'affiche. Entrer une température dans la fourchette autorisée. 3. Appuyer sur START (mise en marche). 4. Pour changer la température, répéter l'étape 2. Appuyer sur START (mise en marche) pour que le changement prenne effet. 5. Appuyer sur OFF (arrêt) après avoir terminé.
CONVECT BROIL (cuisson au gril par convection)	Cuisson par convection	<ol style="list-style-type: none"> 1. Appuyer sur CONVECT BROIL (cuisson au gril par convection). 2. Utiliser les touches numériques pour régler la température souhaitée. Si la température entrée ne se trouve pas dans la fourchette des températures autorisées, la température minimale ou maximale autorisée s'affiche. Entrer une température dans la fourchette autorisée. 3. Appuyer sur START (mise en marche). 4. Pour changer la température, répéter l'étape 2. Appuyer sur START (mise en marche) pour que le changement prenne effet. 5. Appuyer sur OFF (arrêt) après avoir terminé.
CONVERSION EASYCONVECT™	Conversion de recette pour cuisson par convection	<p>REMARQUE : Pour de meilleurs résultats, préchauffer le four à la température requise avant d'utiliser la conversion EasyConvect. Une fois le préchauffage terminé, appuyer sur OFF (arrêt) avant d'utiliser la conversion EasyConvect.</p> <ol style="list-style-type: none"> 1. Appuyer sur la touche EasyConvect adéquate (MEATS [viandes], PIZZA, BAKED GOODS [produits de boulangerie] ou OTHER [autre]). 2. Appuyer sur START (mise en marche). 3. Appuyer sur les touches numériques pour entrer la température de cuisson standard puis appuyer sur START (mise en marche). 4. Appuyer sur les touches numériques pour entrer une durée de cuisson standard, puis appuyer sur START (mise en marche). 5. Placer les aliments dans le four. <p>Contrôler le degré de cuisson des aliments avant que l'heure de fin de cuisson ne soit atteinte. Si les aliments ne sont pas cuits une fois la durée de cuisson écoulée, prolonger la cuisson avant que la cuisson ne soit terminée. Voir la section « Durée de cuisson ». Une fois la durée écoulée, le four s'éteint automatiquement.</p> <ol style="list-style-type: none"> 6. Appuyer sur OFF (arrêt) après avoir terminé. <p>Consulter la section « Conversion EasyConvect » du guide de démarrage rapide pour obtenir plus de renseignements</p>

TOUCHE	FONCTION	INSTRUCTIONS
BREAD PROOF (levée du pain)	Levée du pain	<ol style="list-style-type: none"> Appuyer sur BREAD PROOF (levée du pain) jusqu'à ce que le type de levée souhaité s'affiche (« Standard Proof » [levée standard] ou « Rapid Proof » [levée rapide]). REMARQUE : « Rapid Proof » (levée rapide) fonctionne à une température légèrement supérieure pour la deuxième levée d'une pâte pré-moulée. Appuyer sur START (mise en marche). Laisser la pâte lever jusqu'à ce qu'elle ait presque doublé de volume. La durée de levée du pain peut varier en fonction du type de pâte et de la quantité. Appuyer sur OFF (arrêt) après avoir terminé la levée. Consulter la section « Levée du pain » pour plus d'informations.
KEEP WARM (maintien au chaud)	Maintien au chaud	<p>Les aliments doivent être à la température de service avant d'être placés dans le four chaud.</p> <ol style="list-style-type: none"> Appuyer sur KEEP WARM (maintien au chaud). Utiliser les touches numériques pour régler la température souhaitée. Si la température entrée ne se trouve pas dans la fourchette des températures autorisées, la température minimale ou maximale autorisée s'affiche. Entrer une température dans la fourchette autorisée. Appuyer sur START (mise en marche). Appuyer sur OFF (arrêt) après avoir terminé.
DELAY START (mise en marche différée)	Mise en marche différée	<p>La touche Delay start (mise en marche différée) sert à entrer l'heure de mise en marche pour un four équipé de mise en marche différée. La mise en marche différée ne doit pas être utilisée pour les aliments tels que pains et gâteaux, car ils risquent de ne pas bien cuire.</p> <p>Pour régler une durée de cuisson définie ou une durée de cuisson différée, voir la section « Durée de cuisson ».</p>
COOK TIME (durée de cuisson)	Durée de cuisson	<p>La fonction de durée de cuisson permet d'allumer le four à une certaine heure de la journée, d'effectuer une cuisson pendant une durée déterminée et/ou d'éteindre le four automatiquement.</p> <p>Pour régler une durée de cuisson définie ou une durée de cuisson différée, voir la section « Durée de cuisson ».</p>
AQUALIFT SELF CLEAN (autonettoyage Aqualift)	Programme d'autonettoyage Aqualift®	Consulter la section « Programme de nettoyage » du manuel d'utilisation.
CONTROL LOCK hold 3 sec. to lock (verrouillage des commandes [appuyer pendant 3 sec. pour verrouiller])	Verrouillage des commandes du four	<p>Aucune touche ne fonctionne lorsque les commandes sont verrouillées.</p> <ol style="list-style-type: none"> Vérifier que le four et la minuterie sont éteints. Appuyer sur la touche « 0 » pendant 3 secondes. Si cette fonction est activée, un signal sonore retentit et « CONTROL LOCKED » (tableau de commande verrouillé) s'affiche. Répéter ces étapes pour déverrouiller.
OPTIONS	Fonctions d'utilisation du four	Permet de personnaliser les signaux sonores et le fonctionnement du four selon les préférences de l'utilisateur.

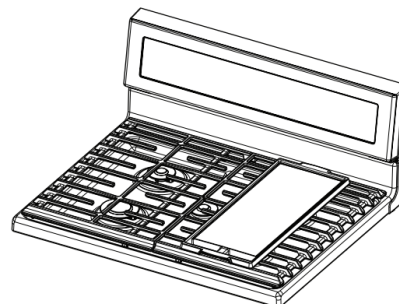
Grilles

Les grilles de cette cuisinière couvrent toute la table de cuisson en largeur. Il est possible d'imbriquer les deux grilles (sur certains modèles) à l'aide du crochet situé à une extrémité de chacune d'entre elles. L'extrémité plate d'une des grilles s'emboîte sur le crochet de l'autre grille tel qu'indiqué dans l'illustration suivante.



Sur certains modèles, les deux grilles sont identiques et peuvent être utilisées du côté gauche ou droit de la table de cuisson. Les grilles conçues pour être utilisées uniquement sur un côté de la table de cuisson portent les indications « LEFT » (gauche) ou « RIGHT » (droite) sur leur face inférieure.

Plaque à frire



Plaque à frire installée du côté droit de la table de cuisson

Utilisation de la plaque à frire :

1. Localiser la plaque à frire sur le côté droit de la table de cuisson tel qu'indiqué. Les pieds de positionnement sur le dessous de la plaque à frire s'engagent dans les tiges de la grille pour empêcher la plaque à frire de glisser.
2. Avant chaque utilisation, passer une fine couche d'huile de cuisson afin d'empêcher les aliments de coller. Les aérosols de cuisson peuvent laisser un résidu collant sur la plaque à frire, qui sera difficile à enlever.
3. Préchauffer la plaque à frire pendant 5 minutes. Un préchauffage lent assure une distribution homogène de la chaleur et évite de déformer la plaque à frire.
4. Pour un préchauffage et une cuisson parfaits, placer le brûleur avant au réglage de chaleur le plus faible et le brûleur arrière au réglage de chaleur moyen-élevé.

REMARQUE : La plaque à frire peut également être utilisée sur la grille de gauche. Pour une performance optimale, placer le brûleur arrière au réglage de chaleur moyen-élevé ou moyen, et le brûleur avant au réglage de chaleur le plus faible.

Nettoyage de la plaque à frire :

1. Laisser la plaque à frire refroidir et vider ensuite le plateau ramasse-gouttes
2. Consulter la section « Nettoyage général » du Manuel d'utilisation pour obtenir des instructions de nettoyage.
3. Conserver la plaque à frire dans un lieu sec et frais.

Technologie d'autonettoyage AquaLift®



La technologie d'autonettoyage AquaLift® est une solution de nettoyage inédite permettant de réduire la durée, la température et les odeurs habituellement dégagées par rapport aux méthodes d'autonettoyage traditionnelles. Avec l'autonettoyage AquaLift®, une pellicule protectrice innovatrice est activée par la chaleur et l'eau à l'intérieur du four pour décoller les salissures incrustées. Pour utiliser la technologie d'autonettoyage AquaLift®, il suffit d'essuyer les débris décollés, de verser de l'eau au fond du four et de lancer le programme d'autonettoyage AquaLift®. Une fois le programme terminé, en moins de 1 heure à une température plus basse que les méthodes d'autonettoyage traditionnelles, essuyer simplement l'eau restante et les salissures décollées. Consulter la section « Programme de nettoyage » du Manuel d'utilisation pour obtenir des instructions plus détaillées. Pour plus d'informations, des réponses aux questions fréquentes et des vidéos consacrées à la technologie d'autonettoyage AquaLift®, visiter notre site Web au <http://whirlpoolcorp.com/aqualift>.

Températures en surface

Lorsque la cuisinière est en marche, toutes ses surfaces peuvent chauffer, y compris les boutons de commande et la porte du four.

Tiroir de cuisson, de réchaud ou de remisage

Lorsque le four est en marche, le tiroir peut chauffer. Ne pas placer d'objets en plastique, en tissu ou susceptibles de fondre ou de brûler dans le tiroir.

Évent du four

L'évent du four permet l'évacuation de l'air chaud et de l'humidité du four. Il ne doit pas être obstrué ou couvert. Ne pas placer près de l'évent du four des objets en plastique, en papier ou susceptibles de fondre ou de brûler.

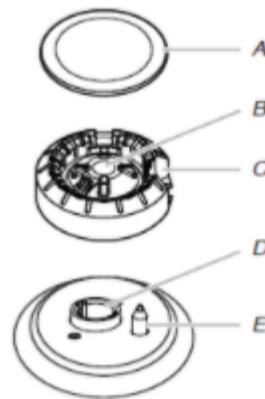
Brûleurs de surface scellés

IMPORTANT : Ne pas entraver l'évacuation de l'air de combustion et de ventilation autour des bords des grilles de brûleur.

Chapeau de brûleur : Toujours garder le chapeau de brûleur en place lorsqu'un brûleur de surface est utilisé. Un chapeau de brûleur propre aide à empêcher le mauvais allumage et les flammes irrégulières. Toujours nettoyer le chapeau du brûleur après un renversement; enlever et nettoyer régulièrement les chapeaux comme indiqué à la section « Nettoyage général » du manuel d'utilisation.

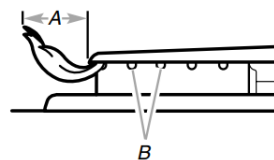
REMARQUE : Chaque base de brûleur ronde est marquée de lettres indiquant la taille du brûleur.

Alignement : S'assurer d'aligner l'ouverture du tube d'arrivée de gaz de la base du brûleur avec le porte-injecteur situé sur la table de cuisson et d'aligner également l'électrode d'allumage avec l'encoche de la base du brûleur.



- A. Chapeau de brûleur
- B. Ouverture du tube d'arrivée de gaz
- C. Base du brûleur
- D. Porte-gicleur
- E. Électrode d'allumage

Ouverture du tube d'arrivée de gaz : Pour que le brûleur s'allume convenablement, il faut que le gaz puisse passer librement à travers l'orifice. Garder cette zone propre et ne pas laisser les produits renversés, les aliments, les agents de nettoyage ou tout autre produit pénétrer dans l'ouverture du tube d'arrivée de gaz. Toujours utiliser un chapeau de brûleur pour protéger l'ouverture de gaz contre tout renversement.



- A. 1 à 1 1/2 po (2,5 à 3,8 cm)
- B. Orifices de brûleur

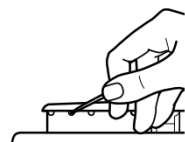
Orifices de brûleur : Examiner occasionnellement les flammes des brûleurs pour en vérifier la taille et la forme comme indiqué dans l'illustration précédente. Une bonne flamme est bleue plutôt que jaune. Garder cette zone exempte de souillures et ne pas laisser les produits renversés, les aliments, les agents de nettoyage ou autre produit pénétrer dans les orifices de brûleur.

Nettoyage :

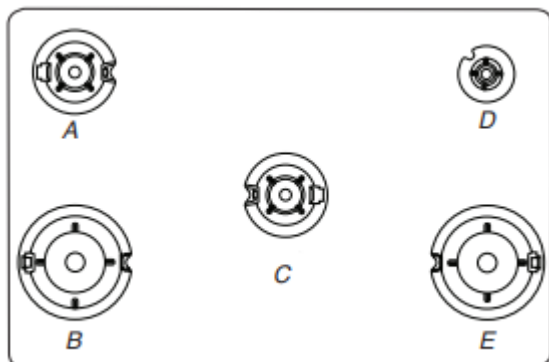
IMPORTANT : Avant le nettoyage, s'assurer que toutes les commandes sont désactivées et que le four est froid. Ne pas utiliser de nettoyeurs à four d'agent de blanchiment ou de décapants à rouille. Ne pas laver au lave-vaisselle.

1. Enlever le chapeau de brûleur de la base du brûleur et nettoyer comme indiqué à la section « Nettoyage général » dans le manuel d'utilisation.
2. Nettoyer l'ouverture du tube d'arrivée de gaz avec un chiffon humide.

3. Nettoyer les orifices de brûleur obstrués avec une épingle droite comme indiqué. Ne pas agrandir ni déformer l'orifice. Ne pas utiliser un cure-dents en bois. Si le brûleur a besoin d'être ajusté, contacter un technicien de réparation qualifié.

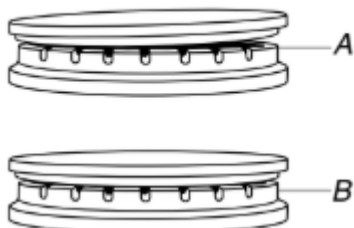


4. Réinstaller la base du brûleur. Les bases et les chapeaux des brûleurs doivent être correctement positionnés avant la cuisson. Chaque base de brûleur ronde est marquée de lettres indiquant la taille du brûleur. Voir l'illustration suivante pour connaître la position des brûleurs :



- A. Moyen (semi-rapide) D. Petit (auxiliaire)
 B. Grand (ultra rapide) E. Grand (ultra rapide)
 C. Moyen (semi-rapide)

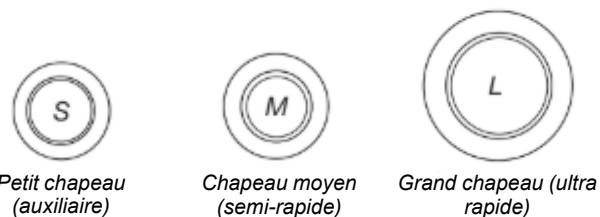
5. Réinstaller le chapeau du brûleur et s'assurer qu'il est bien aligné avec la base du brûleur. Si les chapeaux de brûleur ne sont pas correctement installés, les brûleurs de surface ne s'allumeront pas. Lorsque le chapeau de brûleur est correctement aligné, il ne balance pas et n'oscille pas.



- A. Incorrect
 B. Correct

IMPORTANT : La partie inférieure des petits chapeaux et des chapeaux moyens est différente. Ne pas poser un chapeau de la mauvaise taille sur la base du brûleur.

REMARQUE : Chaque base de brûleur ronde est marquée de lettres indiquant la taille du brûleur.



Petit chapeau (auxiliaire)

Chapeau moyen (semi-rapide)

Grand chapeau (ultra rapide)

6. Allumer le brûleur. Si le brûleur ne s'allume pas, vérifier l'alignement du chapeau. Si le brûleur ne s'allume toujours pas, éteindre le brûleur. Ne pas réparer le brûleur soi-même. Contacter un technicien de réparation qualifié.

Ustensile de cuisson

IMPORTANT : Ne pas laisser d'ustensile de cuisson vide sur une surface de cuisson, un élément ou un brûleur de surface chaud.

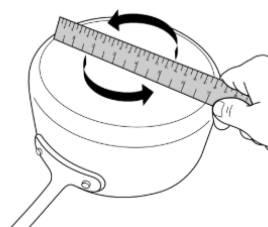
Les ustensiles de cuisson idéals doivent avoir un fond plat, des parois droites, un couvercle qui ferme hermétiquement et le matériau doit être d'épaisseur moyenne à forte.

Les finis rugueux peuvent érafler la table de cuisson ou les grilles/serpentins. L'aluminium et le cuivre peuvent être utilisés comme fond ou base d'un ustensile de cuisson. Toutefois, lorsqu'ils sont utilisés comme base, ils peuvent laisser des marques permanentes sur les surfaces.

Le matériau d'un ustensile a une influence sur la rapidité et l'uniformité de la transmission de la chaleur, lesquelles contribuent aux résultats de cuisson. Un fini antiadhésif a les mêmes caractéristiques que son matériau de base. Par exemple, un ustensile de cuisson en aluminium avec un fini antiadhésif aura les propriétés de l'aluminium.

Les ustensiles de cuisson avec surface antiadhésive ne doivent pas être utilisés sous le grill.

Vérifier que le récipient est plat en plaçant le bord plat d'une règle en travers du fond du récipient. Lorsque l'on fait tourner la règle, aucun espace ou jour ne doit être visible entre celle-ci et le récipient.



Utiliser le tableau suivant comme guide pour les caractéristiques du matériau d'ustensile de cuisson.

Ustensiles de cuisson	Caractéristiques
Aluminium	<ul style="list-style-type: none"> ■ Chauffe rapidement et uniformément. ■ Convient à tous les genres de cuisson. ■ L'épaisseur moyenne ou forte convient le mieux pour la plupart des tâches de cuisson.
Fonte	<ul style="list-style-type: none"> ■ Chauffe lentement et uniformément. ■ Convient pour le brunissage et la friture. ■ Maintient la chaleur pour une cuisson lente.
Céramique ou vitrocéramique	<ul style="list-style-type: none"> ■ Suivre les instructions du fabricant. ■ Chauffe lentement, mais inégalement. ■ Les meilleurs résultats sont obtenus sur les réglages de chaleur basse à moyenne.

Ustensiles de cuisson	Caractéristiques
Cuivre	<ul style="list-style-type: none"> ■ Chauffe très rapidement et uniformément. ■ Peut laisser des résidus de cuivre. Pour en réduire la quantité, les nettoyer immédiatement après la cuisson.
Terre cuite/grès	<ul style="list-style-type: none"> ■ Suivre les instructions du fabricant. ■ Utiliser des réglages de température basse.
Acier émaillé en porcelaine ou fonte émaillée	<ul style="list-style-type: none"> ■ Voir acier inoxydable ou fonte.
Acier inoxydable	<ul style="list-style-type: none"> ■ Chauffe rapidement, mais inégalement. ■ Un fond ou une base d'aluminium ou de cuivre sur l'acier inoxydable procure un chauffage uniforme.

Pour obtenir les meilleurs résultats, les ustensiles de cuisson doivent être centrés au-dessus du brûleur tout en étant posés à l'horizontale au fond sur la grille. La flamme doit être réglée de sorte qu'elle ne s'étende pas sur les côtés du plat.



Mise en conserve à la maison

Lors de la préparation de conserves pendant de longues périodes, alterner l'utilisation des brûleurs de surface de cuisson entre chaque quantité préparée. Ceci permet aux dernières surfaces utilisées de refroidir.

- Centrer l'autoclave sur la grille située au dessus du brûleur.
- Ne pas placer l'autoclave sur 2 brûleurs de surface en même temps.
- Pour plus de renseignements, contacter votre bureau de développement agricole local, ou consulter les guides publiés sur la mise en conserve domestique Les compagnies qui fabriquent des produits pour la préparation de conserves peuvent aussi offrir de l'aide.

UTILISATION DU FOUR

Durant le fonctionnement normal de la cuisinière, plusieurs bruits se font entendre chaque fois que les brûleurs de cuisson au four ou de cuisson au gril s'allument au cours du programme de cuisson :

- Les robinets de gaz peuvent produire un bruit « d'éclatement » lorsqu'ils sont ouverts ou fermés.
- Les allumeurs émettront plusieurs « déclics » jusqu'à ce qu'une flamme soit détectée.
- Un bruit « d'affaissement » peut se faire entendre lorsque le brûleur de cuisson au four ou de cuisson au gril s'allume.

Des odeurs et de la fumée sont normales lorsque le four est utilisé les premières fois et lorsqu'il est très sale.

IMPORTANT : Les émanations de fumée peuvent mettre en danger la santé de certains oiseaux qui y sont extrêmement sensibles. L'exposition aux émanations peut entraîner la mort de certains oiseaux. Toujours déplacer les oiseaux dans une autre pièce fermée et bien aérée.

REMARQUE : Sur certains modèles : Le ventilateur de convection s'arrête lorsque la porte est ouverte. Si la porte reste ouverte trop longtemps, les éléments de chauffage s'éteignent jusqu'à ce que la porte du four soit fermée. Toutes les minuteriers, incluant les minuteriers de cuisson ou les fonctions de cuisson minutée, continuent leur compte à rebours.

Commandes électroniques du four

Affichage des commandes

L'affichage s'allume à la première mise sous tension ou après une coupure de courant. Lorsque le four n'est pas utilisé, l'heure s'affiche.

Signaux sonores

Les signaux sonores avertissent l'utilisateur de divers événements :

Un seul signal sonore

- Appui sur une touche valide
- Préchauffage du four terminé (signal sonore long)
- Saisie d'une fonction.
- Minuteur de cuisine (signal sonore long avec signal sonore de rappel toutes les 60 secondes)

Trois signaux sonores

- Appui sur une touche non valide

Quatre signaux sonores

- Fin de programme (avec un signal sonore de rappel toutes les 60 secondes).

Appuyer sur la touche Option pour modifier les réglages des signaux sonores.

Options

De nombreuses fonctions du four peuvent être réglées pour répondre à vos besoins. On effectue ces changements à l'aide de la touche Options.

Utiliser la touche Options pour faire défiler les caractéristiques qui peuvent être modifiées. L'affichage passe au réglage suivant à chaque pression supplémentaire sur la touche Options. Après avoir sélectionné la fonction à modifier, le tableau de commande demande à l'utilisateur d'effectuer la manœuvre nécessaire. Les sections suivantes détaillent toutes les fonctions modifiables.

Appuyer sur OFF (arrêt) pour quitter les options.

Fahrenheit et Celsius

La température est préréglée pour un affichage en degrés Fahrenheit, mais on peut l'afficher en degrés Celsius.

1. Appuyer sur OPTIONS jusqu'à ce que « TEMP UNIT » (unité de température) soit affiché.
2. Le réglage en cours s'affiche.
3. Appuyer sur la touche « 1 » pour changer le réglage.
4. Appuyer sur OFF (arrêt) pour enregistrer le réglage et afficher l'heure.

Désactivation des signaux sonores

Désactive tous les signaux sonores, y compris le signal sonore de fin de programme et les signaux sonores d'appui sur une touche.

1. Appuyer sur OPTIONS jusqu'à ce que « SOUND » (son) s'affiche.
2. Le réglage en cours s'affiche.
3. Appuyer sur la touche « 1 » pour changer le réglage.
4. Appuyer sur OFF (arrêt) pour enregistrer le réglage et afficher l'heure.

Volume sonore

Règle la hauteur du signal sonore à bas ou élevé.

1. Appuyer sur OPTIONS jusqu'à ce que « SOUND VOLUME » (volume sonore) s'affiche.
2. Le réglage en cours s'affiche.
3. Appuyer sur la touche « 1 » pour changer le réglage.
4. Appuyer sur OFF (arrêt) pour enregistrer le réglage et afficher l'heure.

Signal sonore de fin de programme

Active ou désactive les signaux sonores émis à la fin d'un programme.

1. Appuyer sur OPTIONS jusqu'à ce que « END TONE » (signal de fin) s'affiche.
2. Le réglage en cours s'affiche.
3. Appuyer sur la touche « 1 » pour changer le réglage.
4. Appuyer sur OFF (arrêt) pour enregistrer le réglage et afficher l'heure.

Sons des touches

Active ou désactive les signaux sonores lorsqu'on appuie sur une touche.

1. Appuyer sur OPTIONS jusqu'à ce que « KEYPRESS TONE » (son des touches) s'affiche.
2. Le réglage en cours s'affiche.
3. Appuyer sur la touche « 1 » pour changer le réglage.
4. Appuyer sur OFF (arrêt) pour enregistrer le réglage et afficher l'heure.

Désactivation des signaux sonores de rappel

Désactive le signal sonore bref qui retentit chaque minute après le signal sonore de fin de programme.

1. Appuyer sur OPTIONS jusqu'à ce que « REMINDER TONE » (signal de rappel) s'affiche.
2. Le réglage en cours s'affiche.
3. Appuyer sur la touche « 1 » pour changer le réglage.
4. Appuyer sur OFF (arrêt) pour enregistrer le réglage et afficher l'heure.

Horloge 12/24 heures

1. Appuyer sur OPTIONS jusqu'à ce que « 12/24 HOUR » (horloge 12/24 heures) s'affiche.
2. Le réglage en cours s'affiche.
3. Appuyer sur la touche « 1 » pour changer le réglage.
4. Appuyer sur OFF (arrêt) pour enregistrer le réglage et afficher l'heure.

Mode de démonstration

IMPORTANT : Destinée au personnel en magasin, cette fonction permet, avec un raccordement au secteur 120 V, de présenter les fonctions des commandes sans pour autant activer les éléments chauffants ni les brûleurs. Si cette fonction est activée, le four ne fonctionnera pas.

1. Appuyer sur OPTIONS jusqu'à ce que « DEMO MODE » (mode de démonstration) s'affiche.
2. Le réglage en cours s'affiche.
3. Appuyer sur la touche « 1 » pour changer le réglage.
4. Appuyer sur OFF (arrêt) pour enregistrer le réglage et afficher l'heure.

Arrêt au bout de 12 heures

Le four est configuré pour s'éteindre automatiquement 12 heures après avoir activé une fonction de cuisson ou de nettoyage. Cette fonction ne perturbe aucune fonction de cuisson minutée ou différée.

1. Appuyer sur OPTIONS jusqu'à ce que « 12 HR AUTO OFF » (arrêt au bout de 12 heures) soit affiché.
2. Le réglage en cours s'affiche.
3. Appuyer sur la touche « 1 » pour changer le réglage.

4. Appuyer sur OFF (arrêt) pour enregistrer le réglage et afficher l'heure.

Langues : menu d'affichage déroulant

Les options de langue sont l'anglais, l'espagnol et le français.

1. Appuyer sur OPTIONS jusqu'à ce que « LANGUAGE » (langues) s'affiche.
2. Le réglage en cours s'affiche.
3. Appuyer sur les touches numériques pour changer le réglage.
4. Appuyer sur OFF (arrêt) pour enregistrer le réglage et afficher l'heure.

Économie d'énergie

Le mode Energy Save (économie d'énergie) place la cuisinière en mode de veille pour réduire la consommation d'énergie.

1. Appuyer sur OPTIONS jusqu'à ce que « ENERGY SAVE » (économie d'énergie) soit affiché.
2. Le réglage en cours s'affiche.
3. Appuyer sur la touche « 1 » pour changer le réglage.
4. Appuyer sur OFF (arrêt) pour enregistrer le réglage et afficher l'heure.

Commande de décalage de température du four

IMPORTANT : Ne pas utiliser de thermomètre pour mesurer la température du four. Les éléments chauffants s'allument et s'éteignent en alternance pour maintenir une température constante, mais leur température peut varier légèrement dans un sens ou dans l'autre du fait de cette alternance. De nombreux thermomètres réagissent lentement à un changement de température, et ne donneront pas une mesure exacte du fait de cette alternance.

Le four fournit des températures précises; toutefois, il peut cuire plus rapidement ou plus lentement que votre ancien four, c'est pourquoi la température peut être ajustée à vos besoins de cuisson. Elle peut être modifiée en degrés Fahrenheit ou Celsius.

Réglage de la température du four :

1. Appuyer sur OPTIONS jusqu'à ce que « TEMP CALIB » (étalonnage température) soit affiché.
2. Le réglage en cours s'affiche. Appuyer sur la touche « 1 » pour passer du four au tiroir-réchaud.
3. Appuyez sur START (mise en marche) pour sélectionner le choix affiché à l'étape 2. Attendre 10 secondes que l'affichage change ou appuyer sur START (mise en marche), puis passer à l'étape 4.
4. Appuyer sur la touche « 3 » pour augmenter la température par paliers de 5 °F (3 °C) ou sur la touche « 6 » pour diminuer la température par paliers de 5 °F (3 °C). L'intervalle de réglage est entre -30 °F et +30 °F (-18 °C à +18 °C).
5. Appuyer sur OFF (arrêt) pour enregistrer le réglage et afficher l'heure.

Keep Warm (maintien au chaud)

IMPORTANT : Les aliments doivent être à la température de service avant d'être placés dans le four chaud. Les aliments peuvent être gardés au four jusqu'à une heure; toutefois, les pains et les mets en sauce peuvent devenir trop secs s'ils sont laissés dans le four alors que la fonction Keep Warm (maintien au chaud) est activée. Pour de meilleurs résultats, couvrir les aliments.

La caractéristique Keep Warm (maintien au chaud) permet de garder les aliments cuits chauds à la température de service.

Utilisation :

1. Appuyer sur KEEP WARM (maintien au chaud)
2. Utiliser les touches numériques pour régler la température souhaitée. Si la température entrée ne se trouve pas dans la fourchette des températures autorisées, la température minimale ou maximale autorisée s'affiche. Entrer une température dans la fourchette autorisée.

REMARQUE : La température peut être modifiée à tout moment en appuyant sur les touches numériques pour entrer la température souhaitée puis appuyer sur START (mise en marche).

- Appuyer sur START (mise en marche).
- Placer les aliments dans le four.
- Appuyer sur OFF (arrêt) après avoir terminé.
- Retirer les aliments du four.

Pour annuler la fonction de maintien au chaud :

- Appuyer sur OFF (arrêt).
- Retirer les aliments du four.

Mode Sabbath (Sabbat)

Le mode Sabbath (Sabbat) permet au four de rester sur un réglage Bake (cuisson au four) jusqu'à ce qu'on l'éteigne.

Lorsque le mode Sabbath (Sabbat) est réglé, seul le programme de cuisson au four fonctionne. Tous les autres programmes de cuisson et de nettoyage sont désactivés. Aucun signal sonore ne retentit et les affichages n'indiquent pas les changements de température.

Lorsque la porte du four est ouverte ou fermée, la lampe du four ne s'allume ou ne s'éteint pas et les éléments de chauffage ne s'allument ou ne s'éteignent pas immédiatement.

Activation du mode Sabbath (Sabbat) (une seule fois) :

- Appuyer sur OPTIONS jusqu'à ce que « SABBATH » (Sabbat) s'affiche.
- Appuyer sur la touche « 1 ». Le mode Sabbath (Sabbat) peut être utilisé pour la cuisson au four.
- Appuyer sur START (mise en marche) ou OFF (arrêt) pour enregistrer le réglage et afficher l'heure.

REMARQUE : Pour désactiver le Sabbath Mode (mode Sabbat), répéter les étapes 1 à 3 pour changer l'état de « SABBATH ON » (mode Sabbat activé) à « SABBATH OFF » (mode Sabbat désactivé).

Activation du mode Sabbath (Sabbat) :

- Appuyer sur BAKE (cuisson au four).
- Utiliser les touches numériques pour régler la température souhaitée. Si la température entrée ne se trouve pas dans la fourchette des températures autorisées, la température minimale ou maximale autorisée s'affiche. Entrer une température dans la fourchette autorisée.
- Appuyer sur START (mise en marche).
Pour une cuisson minutée au mode Sabbath (Sabbat), appuyer sur COOK TIME (durée de cuisson), puis sur les touches numériques pour régler la durée de cuisson désirée. Appuyer sur START (mise en marche).
- Appuyer sur OPTIONS. Trois signaux sonores retentissent. Appuyer ensuite sur « 7 ». « SAB » apparaît sur l'affichage.

Réglage de la température (lorsque le mode Sabbath [Sabbat] fonctionne) :

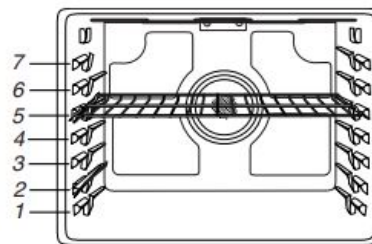
- Appuyer sur BAKE (cuisson au four).
- Appuyer sur les touches numériques comme indiqué par le texte déroulant afin de sélectionner la nouvelle température.
REMARQUE : Le changement de température n'apparaît pas sur l'affichage et aucun son n'est émis. Le texte déroulant s'affiche tel qu'il était avant que l'on n'appuie sur la touche.
- Appuyer sur START (mise en marche).

Désactivation du mode Sabbath (Sabbat) :

Appuyer sur OPTIONS, puis sur « 7 » pour revenir à la cuisson au four traditionnelle ou appuyer sur OFF (arrêt) pour éteindre la cuisinière.

Positionnement des grilles et des ustensiles de cuisson au four

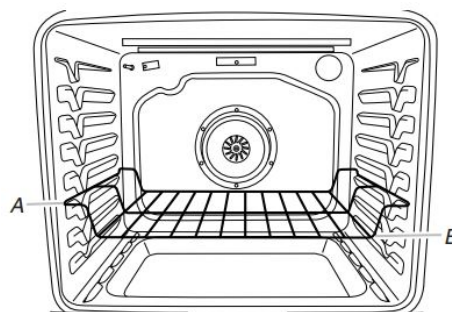
Utiliser l'illustration suivante comme guide.



Le four présente sept positions possibles pour une grille plate, comme indiqué dans l'illustration précédente et le tableau suivant.

Position de la grille plate	Type d'aliment
7	Cuire au grill/griller les viandes, les hamburgers, les steaks
6	Viandes grillées, volaille, poisson
3 ou 4	La plupart des produits de boulangerie, mets en sauce
2	Viandes rôties
1	Gros rôtis/volailles

IMPORTANT : Si votre modèle possède une grille de four à capacité maximale, les bords surélevés doivent être placés dans la position immédiatement supérieure à la position souhaitée pour les aliments. Voir l'illustration suivante.



A. Extrémités de la grille en position 3
B. Aliments en position 2

IMPORTANT : Ces positions de grille sont pour les grilles plates. En cas d'utilisation d'une grille de four à capacité maximale, la position de la grille doit être ajustée en conséquence comme dans l'illustration précédente.

Ustensiles de cuisson

L'air chaud doit pouvoir circuler autour de l'aliment pour le cuire uniformément. Laisser 2 po (5 cm) entre les ustensiles de cuisson et les parois du four. S'assurer qu'aucun ustensile de cuisson ne se trouve directement au-dessus d'un autre.

Cuisson sur plusieurs grilles

Cuisson sur deux grilles (sans convection) : Utiliser les positions de grille 2 et 5 ou 3 et 6.

Cuisson sur deux grilles (avec convection) : Utiliser les positions de grille 2 et 5 ou 3 et 6.

Cuisson sur trois grilles (avec convection) : Utiliser une grille plate aux positions 4 et 6 et une grille de four à capacité maximale en position 3.

Cuisson au four et rôtissage

Préchauffage

Au début d'un programme de cuisson au four (Bake), de cuisson au four avec convection (Convect Bake) ou de rôtissage avec convection (Convect Roast), le four commence par un préchauffage une fois la touche Start (mise en marche) enfoncée. Le four atteint 350 °F (177 °C) en 12 à 15 minutes environ lorsque toutes les grilles fournies avec le four sont à l'intérieur de la cavité du four. Pour atteindre une température plus élevée, le préchauffage est plus long. Le programme de préchauffage augmente rapidement la température du four. La température réelle du four dépasse alors la température programmée, pour compenser la chaleur perdue à l'ouverture du four pour y introduire le plat à cuire. Ainsi, le four entame la cuisson à la température correcte après y avoir placé le plat. Placer les aliments au four lorsque le signal sonore de préchauffage retentit. Ne pas ouvrir la porte du four pendant le préchauffage tant que le signal sonore n'a pas retenti.

Température du four

En cours d'utilisation, les éléments chauffants du four s'allument et s'éteignent en alternance pour maintenir une température constante, mais leur température peut varier légèrement dans un sens ou dans l'autre du fait de cette alternance. L'ouverture de la porte du four en cours d'utilisation laisse échapper l'air chaud et refroidit le four, ce qui peut modifier la durée nécessaire et le résultat de la cuisson. Pour suivre l'avancement de la cuisson, il est conseillé d'utiliser l'éclairage du four.

REMARQUE : Sur les modèles équipés d'une fonction de convection, le ventilateur de convection peut tourner dans le mode de cuisson sans convection pour améliorer la performance du four.

Système de gestion de la température

Le système de gestion de la température contrôle électroniquement les niveaux de température du four durant le préchauffage et la cuisson afin de maintenir une gamme précise de températures pour des résultats de cuisson optimaux. Les éléments de cuisson au four et au gril ou les brûleurs s'allument et s'éteignent en alternance. Pour les cuisinières à convection, le ventilateur fonctionne pendant le préchauffage et peut s'allumer et s'éteindre pendant de courts intervalles dans le mode Bake (cuisson au four) afin de produire un meilleur résultat. Cette caractéristique est automatique lorsque le four est utilisé.

Avant la cuisson au four et le rôtissage, placer les grilles comme indiqué à la section « Positionnement des grilles et des ustensiles de cuisson au four ». Lors du rôtissage, il n'est pas nécessaire d'attendre la fin du programme de préchauffage du four avant de placer les aliments, sauf si la recette le recommande.

Broiling (cuisson au gril)

Le préchauffage du four n'est pas nécessaire, sauf si la recette le recommande. Placer l'aliment sur la grille de la lèchefrite, puis placer celle-ci au centre de la grille du four.

IMPORTANT : Fermer la porte pour une température de cuisson au gril adéquate.

Le changement de température lors de la cuisson personnalisée au gril permet une maîtrise plus précise de la cuisson. Plus le réglage du gril est bas, plus la cuisson est lente. Les morceaux épais et de forme irrégulière de viande de poisson et de volaille cuisent mieux à des réglages de gril plus bas. Utiliser les grilles 6 ou 7 pour la cuisson au gril. Si l'on utilise la grille déployante, utiliser la position de grille 6. Consulter la section « Positionnement des grilles et des ustensiles de cuisson » pour plus d'informations.

■ Pour de meilleurs résultats, utiliser une lèchefrite et une grille. La grille est conçue pour laisser s'écouler les jus et aider à éviter les éclaboussures et la fumée.

Il est possible de commander une lèchefrite. Consulter le Guide de démarrage rapide pour plus d'information.

REMARQUE : Des odeurs et de la fumée sont normales lorsque le four est utilisé les premières fois ou lorsqu'il est très sale.

Cuisson par convection

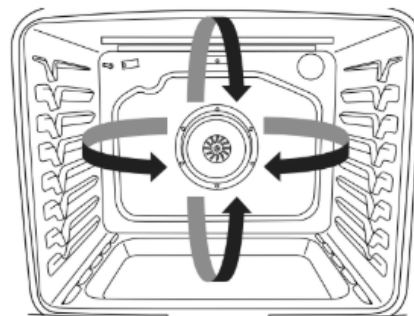
Dans un four à convection, l'air chaud que fait circuler le ventilateur répartit plus uniformément la chaleur que le mouvement naturel de l'air dans un four thermique standard. Ce déplacement de l'air chaud aide à maintenir une température constante dans tout le four, ce qui permet de cuire les aliments plus uniformément, de faire croustiller la surface des aliments tout en conservant leur humidité naturelle et de donner des pains plus croustillants.

Durant la cuisson par convection, les brûleurs de cuisson au four et de cuisson au gril, l'élément de convection (convection véritable uniquement) et le ventilateur s'allument et s'éteignent par intermittence pour maintenir la température du four tandis que le ventilateur fait circuler l'air chaud.

REMARQUE : Le ventilateur de convection s'allumera environ 5 minutes pendant chaque programme de convection.

Si la porte du four est ouverte durant la cuisson par convection, le ventilateur s'éteint immédiatement. Il s'allume à nouveau lorsque la porte du four est fermée.

REMARQUE : La porte du four doit être fermée pour la cuisson au gril par convection.

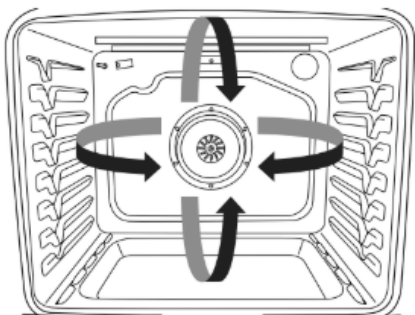


Avant de lancer une cuisson par convection, positionner les grilles tel qu'indiqué à la section « Positionnement des grilles et des ustensiles de cuisson au four ».

La cuisson à convection permet de cuire la majorité des aliments à une température plus basse ou moins longtemps. Ces réglages peuvent être effectués à l'aide du tableau suivant ou en utilisant la caractéristique de conversion EasyConvect™ de la cuisinière.

Réglage	Lignes directrices
CONVECT BAKE (cuisson au four par convection)	Réduire la température de cuisson au four standard de 25 °F (15 °C).
CONVECT ROAST (rôtissage par convection)	Utiliser une température de recette standard. Le temps de cuisson peut diminuer de 15 % à 30 % lors du rôtissage par convection, le degré de cuisson devrait donc être vérifié plus tôt qu'à l'habitude.
CONVECT BROIL (cuisson au grill par convection)	Utiliser une température de recette standard. La durée de cuisson peut être réduite; il faut donc contrôler le degré de cuisson des aliments tôt au cours de la cuisson.

Convection véritable cordon bleu avec élément T.H.E.™



La convection véritable active un élément électrique autour du ventilateur de convection pour améliorer la performance de cuisson. Cette caractéristique permet de cuire les aliments au four sur trois grilles. Utiliser le tableau des options de convection suivant comme guide.

Options de cuisson par convection

Réglage	Aliments
CONVECT BAKE (cuisson au four par convection)	Cuisson au four sur une ou plusieurs grilles pour les biscuits, pains, mets en sauce, tartes, tourtes.
CONVECT ROAST (rôtissage par convection)	Poulets ou dindes entiers, légumes, rôtis de porc, rôtis de bœuf.
CONVECT BROIL (cuisson au grill par convection)	Des morceaux plus épais ou inégaux de viande, de poisson ou de volaille.

Conversion EasyConvect™

Les températures et durées de cuisson par convection peuvent différer de celles d'une cuisson standard. Selon la catégorie sélectionnée, la convection EasyConvect™ peut réduire automatiquement la température normale de la recette et/ou la durée de cuisson saisie pour la convection.

Les aliments sont regroupés en quatre grandes catégories. Choisir la catégorie qui correspond le mieux à l'aliment qui doit être cuit. Utiliser le tableau suivant comme guide.

Réglage	Aliments
VIANDES	Poulet : entier ou morceaux Pain de viande, rôti : porc, bœuf et jambon (Les dindes et les grosses volailles ne sont pas mentionnées car leur durée de cuisson est variable.)
PRODUITS DE BOULANGERIE	Biscuits, pains : éclair et à levure, Gâteaux et biscuits Mets en sauce
PIZZA	Pizza fraîche, pizza surgelée
AUTRE	Aliments prêt-à-servir congelés : frites, pépites, bâtonnets de poisson, lasagne

Utilisation :

REMARQUE : Pour de meilleurs résultats, préchauffer le four à la température requise avant d'utiliser la conversion EasyConvect™. Une fois le préchauffage terminé, appuyer sur la touche OFF (arrêt) avant d'utiliser la conversion EasyConvect™.

- Appuyer sur la touche EASY CONVECT (convection facile) pour l'option souhaitée (MEATS [viandes], BAKED GOODS [aliments cuits] ou OTHER [autres]).
- Appuyer sur START (mise en marche).
- Appuyer sur les touches numériques pour entrer la température de cuisson standard puis appuyer sur START (mise en marche).
- Appuyer sur les touches numériques pour entrer la température de cuisson standard puis appuyer sur START (mise en marche).
- Placer les aliments dans le four.
Contrôler le degré de cuisson des aliments avant que l'heure de fin de cuisson ne soit atteinte. Si les aliments ne sont pas cuits une fois la durée de cuisson écoulée, prolonger la cuisson avant que la cuisson ne soit terminée (voir la section « Durée de cuisson »). Une fois la durée écoulée, le four s'éteint automatiquement.
- Appuyer sur OFF (arrêt) après avoir terminé.
- Retirer les aliments du four.

Levée du pain

La levée du pain prépare la pâte pour la cuisson en activant la levure. Suivre les instructions de la recette comme guide. La levée standard doit être utilisée pour les pâtes fraîches, les pâtes surgelées et pour la première et la deuxième levée. Rapid Proof (levée rapide) (sur certains modèles) fonctionne à une température légèrement supérieure que Standard Proof (levée standard) pour effectuer une deuxième levée d'une pâte pré-moulée.

Faire lever la pâte :

Avant la première levée de pain, placer la pâte dans un saladier légèrement graissé et couvrir sans serrer avec du papier ciré recouvert de graisse alimentaire. Le placer en position 2, puis fermer la porte du four.

1. Appuyer sur BREAD PROOF (levée du pain) jusqu'à ce que le type de levée souhaité s'affiche (« Standard » [levée standard] ou « Rapid » [levée rapide]).
2. Appuyer sur START (mise en marche).
Laisser la pâte lever jusqu'à ce qu'elle ait presque doublé de volume. La durée de levée du pain peut varier en fonction du type de pâte et de la quantité.
3. Appuyer sur OFF (arrêt) après avoir terminé la levée.

Avant la seconde levée, mettre la pâte en forme, la placer sur la ou les plaques de cuisson et couvrir partiellement. Reprendre le même positionnement et vérifier que les étapes ci-dessus ont bien été suivies. Avant la cuisson au four, retirer la pellicule protectrice.

REMARQUE : Si la température du four est supérieure à 120 °F (49 °C), l'affichage indique « oven cooling » (refroidissement four) jusqu'à ce que la température soit inférieure à 120 °F (49 °C).

Cook Time (durée de cuisson)

Réglage d'une cuisson minutée :

1. Appuyer sur BAKE (cuisson), CONVECT BAKE (cuisson au four par convection), CONVECT ROAST (rôtissage par convection) ou CONVECT BROIL (cuisson au gril par convection).
2. Utiliser les touches numériques pour régler la température souhaitée. Si la température entrée ne se trouve pas dans la fourchette des températures autorisées, la température minimale ou maximale autorisée s'affiche. Entrer une température dans la fourchette autorisée.
3. Appuyer sur COOK TIME (durée de cuisson).
4. Appuyer sur les touches numériques pour entrer la durée de cuisson.
5. Appuyer sur START (mise en marche). L'affichage présente le compte à rebours de la durée. Lorsque la durée est écoulée, le four s'éteint automatiquement.
Il est possible de changer les réglages de température et/ou de durée en tout temps en répétant les étapes 2 à 5.
6. Appuyer sur OFF (arrêt) pour effacer l'affichage.
REMARQUE : Le réglage de durée de cuisson pour une fonction de cuisson minutée, y compris pour la fonction de conversion EasyConvect™, peut être ajusté en suivant les étapes précédentes de 3 à 5.

Réglage de Delayed Timed Cook (cuisson minutée différée) :

1. Appuyer sur DELAY START (mise en marche différée).
2. Appuyer sur les touches numériques pour entrer le nombre d'heures et/ou de minutes dont on souhaite différer l'heure de mise en marche.
3. Appuyer sur BAKE (cuisson), CONVECT BAKE (cuisson au four par convection), CONVECT ROAST (rôtissage par convection) ou CONVECT BROIL (cuisson au gril par convection).
4. Utiliser les touches numériques pour régler la température souhaitée. Si la température entrée ne se trouve pas dans la fourchette des températures autorisées, la température minimale ou maximale autorisée s'affiche. Entrer une température dans la fourchette autorisée.
5. Appuyer sur START (mise en marche) ou COOK TIME (durée de cuisson).
6. Appuyer sur les touches numériques pour entrer la durée de cuisson.
7. Appuyer sur START (mise en marche).
Lorsque l'heure de mise en marche est atteinte, le four s'allume automatiquement. Il est possible de changer les réglages de température et/ou de durée en tout temps après le compte à rebours en répétant les étapes 1 à 7. Lorsqu'on réinitialise la durée et la température, on doit appuyer sur Start (mise en marche) à mi-chemin entre les étapes 4 et 5 pour pouvoir continuer à effectuer des changements.
Lorsque la durée de cuisson réglée s'achève, le four s'éteint automatiquement.
8. Appuyer sur OFF (arrêt) pour effacer l'affichage.

Guía de controles de la estufa autónoma a gas

GUÍA DE FUNCIONES

ADVERTENCIA: A fin de reducir el riesgo de incendio, choque eléctrico o lesiones personales, lea las INSTRUCCIONES IMPORTANTES DE SEGURIDAD que se encuentran en el Manual del propietario, antes de usar el electrodoméstico.

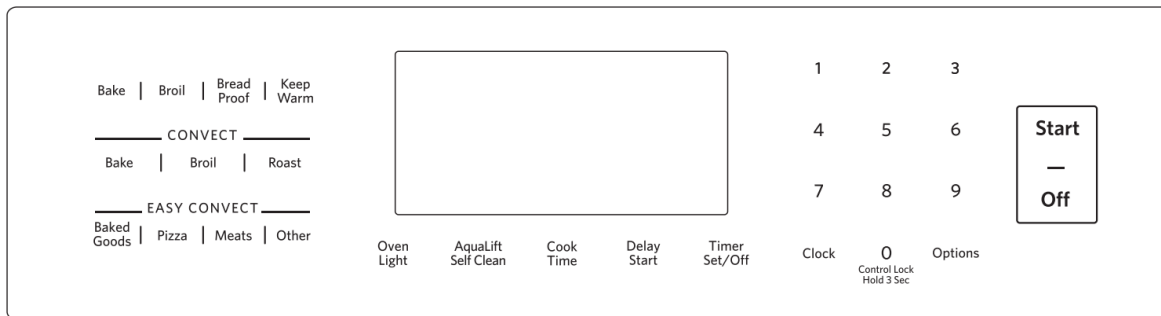
Este manual abarca varios modelos. Su modelo puede contar con algunos o todos los elementos enumerados. Consulte este manual o la sección de Preguntas frecuentes de nuestra página de Internet, en www.kitchenaid.com para obtener instrucciones más detalladas. En Canadá, consulte la sección Servicio al cliente en www.kitchenaid.ca.

⚠ ADVERTENCIA

Peligro de intoxicación alimentaria

No deje sus alimentos en el horno por más de una hora antes o después de su cocción.

No seguir esta instrucción puede ocasionar intoxicación alimentaria o enfermedad.



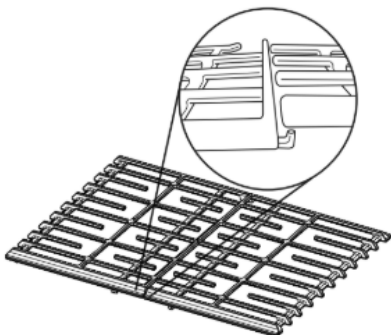
TECLA	FUNCIÓN	INSTRUCCIONES
CLOCK (Reloj)	Clock (Reloj)	Este reloj puede usar un ciclo de 12 o 24 horas. Consulte la sección "Controles electrónicos del horno". <ol style="list-style-type: none"> 1. Presione CLOCK (Reloj). 2. Presione "3" para AM o "6" para PM. 3. Presione las teclas numéricas para fijar la hora del día. 4. Presione CLOCK (Reloj) o START (Inicio).
LUZ DEL HORNO	Luz de la cavidad del horno	Mientras la puerta del horno está cerrada, presione OVEN LIGHT (Luz del horno) para encender y apagar la luz. La luz del horno se encenderá cuando se abra la puerta del horno.
TIMER SET/OFF (Ajustar/Apagar el temporizador)	Temporizador del horno	El temporizador se puede fijar en horas o minutos, hasta 9 horas y 59 minutos. <ol style="list-style-type: none"> 1. Presione TIMER SET/OFF (Ajustar/Apagar el temporizador). 2. Presione las teclas numéricas para fijar la duración del tiempo en hr-hr-min-min. Los ceros a la izquierda no tienen que introducirse. Por ejemplo, para 2 minutos, introduzca "2". 3. Presione TIMER SET-OFF (Ajustar/Apagar el temporizador) para comenzar la cuenta regresiva. Si se habilitan, los tonos de fin de ciclo sonarán al final de la cuenta regresiva. 4. Presione TIMER SET/OFF (Ajustar/Apagar el temporizador) para cancelar el temporizador y volver a la hora del día. No presione la tecla Off (Apagado), ya que al hacerlo se apagará el horno.
INICIO	Inicio de cocción	La tecla Start (Inicio) iniciará cualquier función del horno. Si no se presiona Start (Inicio) en menos de 2 minutos después de haber presionado una tecla, la función se cancelará y la hora del día aparecerá en la pantalla.
OFF (Apagado)	Función de la cocina	La tecla Off (Apagado) detiene todas las funciones del horno, con excepción de Clock (Reloj), Timer (Temporizador) y Control Lock (Bloqueo de controles).

TECLA	FUNCIÓN	INSTRUCCIONES
BAKE (Hornear)	Hornear y asar	<ol style="list-style-type: none"> 1. Presione BAKE (Hornear). 2. Presione las teclas numéricas para fijar la temperatura deseada. Si la temperatura que se ingresó no está dentro del rango de temperaturas permitidas, aparecerá la temperatura mínima o máxima permitida. Ingrese una temperatura dentro del rango permitido. 3. Presione START (Inicio). 4. Para cambiar la temperatura, repita el paso 2. Presione START (Inicio) para que el cambio tenga efecto. 5. Presione OFF (Apagado) cuando haya terminado.
BROIL (Asar a la parrilla)	Asar a la parrilla	<ol style="list-style-type: none"> 1. Presione BROIL (Asar a la parrilla). 2. Para seleccionar la temperatura para asar a la parrilla, presione 1 - alta (500 °F [261°C]), 2 - media (450 °F [234°C]) o 3 - baja (400 °F [204 °C]). 3. Presione START (Inicio). 4. Coloque los utensilios de cocina dentro del horno y cierre la puerta del horno. 5. Presione OFF (Apagado) cuando haya terminado.
CONVECT BAKE (Hornear por convección)	Cocción por convección	<ol style="list-style-type: none"> 1. Presione CONVECT BAKE (Hornear por convección). 2. Presione las teclas numéricas para fijar la temperatura deseada. Si la temperatura que se ingresó no está dentro del rango de temperaturas permitidas, aparecerá la temperatura mínima o máxima permitida. Ingrese una temperatura dentro del rango permitido. 3. Presione START (Inicio). 4. Para cambiar la temperatura, repita el paso 2. Presione START (Inicio) para que el cambio tenga efecto. 5. Presione OFF (Apagado) cuando haya terminado.
CONVECT ROAST (Asar por convección)	Cocción por convección	<ol style="list-style-type: none"> 1. Presione CONVECT ROAST (Asar por convección). 2. Presione las teclas numéricas para fijar la temperatura deseada. Si la temperatura que se ingresó no está dentro del rango de temperaturas permitidas, aparecerá la temperatura mínima o máxima permitida. Ingrese una temperatura dentro del rango permitido. 3. Presione START (Inicio). 4. Para cambiar la temperatura, repita el paso 2. Presione START (Inicio) para que el cambio tenga efecto. 5. Presione OFF (Apagado) cuando haya terminado.
CONVECT BROIL (Asar a la parrilla por convección)	Cocción por convección	<ol style="list-style-type: none"> 1. Presione CONVECT BROIL (Asar a la parrilla por convección). 2. Presione las teclas numéricas para fijar la temperatura deseada. Si la temperatura que se ingresó no está dentro del rango de temperaturas permitidas, aparecerá la temperatura mínima o máxima permitida. Ingrese una temperatura dentro del rango permitido. 3. Presione START (Inicio). 4. Para cambiar la temperatura, repita el paso 2. Presione START (Inicio) para que el cambio tenga efecto. 5. Presione OFF (Apagado) cuando haya terminado.
CONVERSIÓN EASYCONVECT™ (Convección fácil)	Conversión de la receta para la cocción por convección	<p>NOTA: para obtener mejores resultados, precaliente el horno a la temperatura necesaria antes de usar la conversión EasyConvect. Después de que se termine el precalentamiento, presione la tecla OFF (Apagado) antes de usar la conversión EasyConvect™.</p> <ol style="list-style-type: none"> 1. Presione la tecla apropiada de EasyConvect (MEATS [Carnes], PIZZA, BAKED GOODS [Alimentos horneados] u OTHER [Otro]). 2. Presione START (Inicio). 3. Presione las teclas numéricas para introducir la temperatura de cocción normal y luego presione START (Inicio). 4. Presione las teclas numéricas para introducir el tiempo de cocción normal y luego presione START (Inicio). 5. Coloque los alimentos en el horno. Fijese si los alimentos están listos antes de que se alcance el tiempo de detención. Si el alimento no va a estar listo cuando llegue el tiempo de detención, agregue más tiempo de cocción antes de que pase el tiempo. Vea la sección "Tiempo de cocción". Al final del tiempo de detención, el horno se apagará automáticamente. 6. Presione OFF (Apagado) cuando haya terminado. <p>Consulte la sección "Conversión EasyConvect" en la Guía de inicio rápido para obtener más información.</p>

TECLA	FUNCIÓN	INSTRUCCIONES
BREAD PROOF (Leudar el pan)	Cómo hacer leudar el pan	<ol style="list-style-type: none"> 1. Presione BREAD PROOF (Leudar el pan) hasta que aparezca en la pantalla el tipo de leudado deseado (“Proof” [Leudado estándar] o “Rapid Proof” [Leudado rápido]). NOTA: “Rapid” (Rápido) funciona a una temperatura para leudar por segunda vez la masa formada. 2. Presione START (Inicio). Deje que la masa se esponje hasta que esté casi al doble de su tamaño. El tiempo de leudado puede variar según el tipo y la cantidad de masa. 3. Presione OFF (Apagado) cuando termine el leudado. <p>Consulte la sección “Cómo hacer leudar el pan” para obtener más información.</p>
KEEP WARM (Mantener caliente)	Mantener caliente	<p>Los alimentos deberán estar a la temperatura para ser servidos antes de colocarlos en el horno calentado.</p> <ol style="list-style-type: none"> 1. Presione KEEP WARM (Mantener caliente). 2. Presione las teclas numéricas para fijar la temperatura deseada. Si la temperatura que se ingresó no está dentro del rango de temperaturas permitidas, aparecerá la temperatura mínima o máxima permitida. Ingrese una temperatura dentro del rango permitido. 3. Presione START (Inicio). 4. Presione OFF (Apagado) cuando haya terminado.
DELAY START (Inicio diferido)	Inicio diferido	<p>La tecla Delay Start (Inicio diferido) se utiliza para ingresar la hora en la que se va a iniciar una función del horno con un inicio diferido. El inicio diferido no debe usarse para alimentos como panes y pasteles, ya que es posible que no se horneen correctamente.</p> <p>Para fijar Cook Time (Tiempo de cocción) o Delayed Cook Time (Tiempo de cocción diferido), consulte la sección “Cook Time” (Tiempo de cocción).</p>
COOK TIME (Tiempo de cocción)	Tiempo de cocción	<p>La función Cook Time (Tiempo de cocción) permite programar el horno para que se encienda a una determinada hora del día, cocine durante un tiempo establecido y/o se apague automáticamente.</p> <p>Para fijar Cook Time (Tiempo de cocción) o Delayed Cook Time (Tiempo de cocción diferido), consulte la sección “Cook Time” (Tiempo de cocción).</p>
AQUALIFT SELF CLEAN (Autolimpieza AquaLift)	Ciclo AquaLift® de autolimpieza	<p>Consulte la sección “Ciclo de limpieza” en el Manual del propietario.</p>
CONTROL LOCK (Bloqueo de controles) hold 3 sec. to lock (sostenga por 3 segundos para bloquear)	Bloqueo de controles del horno	<p>Cuando los controles estén bloqueados, no funcionará ninguna tecla.</p> <ol style="list-style-type: none"> 1. Revise que el horno y el temporizador estén apagados. 2. Mantenga presionada la tecla “0” por 3 segundos. 3. Si se habilita, sonará un tono y aparecerá “CONTROL LOCKED” (Control bloqueado) en la pantalla. 4. Repita para desbloquear.
OPTIONS (Opciones)	Funciones para usar el horno	<p>Permite adaptar los tonos audibles y el funcionamiento del horno a sus necesidades.</p>

Rejillas

Las rejillas de esta estufa cubren el ancho completo de la superficie de cocción. Pueden entrelazarse ambas rejillas (en algunos modelos) con el gancho formado en un extremo de ambas parrillas. El extremo plano de una rejilla cae en el gancho de la otra, como se muestra en la ilustración a continuación.



En algunos modelos, ambas rejillas son idénticas y pueden usarse ya sea en el lado izquierdo o derecho de la superficie de cocción. Las rejillas que han sido diseñadas para usarse solamente en un lado de la superficie de cocción tendrán la palabra “LEFT” (Izquierda) o “RIGHT” (Derecha) grabada en la parte inferior de las mismas.

Plancha



Plancha instalada en el lado derecho de la superficie de cocción

Para usar la plancha:

1. Ubique la plancha en la rejilla del lado derecho, como se muestra. Las patas de ubicación en la base de la plancha engancharán las puntas de la rejilla para evitar que la plancha se deslice.
2. Antes de cada uso, cepíllela con una capa delgada de aceite de cocina para evitar que se peguen los alimentos. Los rociadores de cocina pueden dejar un residuo pegajoso en la plancha, la cual es difícil de quitar.
3. Caliente previamente la plancha durante 5 minutos. El precalentamiento lento de la plancha asegurará una distribución uniforme del calor y evitará que se deforme.
4. Para el precalentamiento y la cocción, ponga el quemador delantero en el ajuste de calor más bajo y el quemador trasero en el ajuste de fuego medio alto para un mejor rendimiento.

NOTA: La plancha también puede usarse sobre la rejilla del lado izquierdo. Para obtener mejores resultados, deberá fijarse el quemador trasero en el ajuste medio bajo o medio y el quemador delantero deberá fijarse en el ajuste bajo.

Para limpiar la plancha:

1. Deje que la plancha se enfríe y vacíe la bandeja para goteos.
2. Vea la sección "Limpieza general" de su Manual del Propietario para obtener instrucciones de limpieza.
3. Guarde la plancha en un área fresca y seca.

Tecnología autolimpiante AquaLift®



La tecnología autolimpiante AquaLift® es una solución de limpieza de primera clase diseñada para minimizar el tiempo, la temperatura y los olores que comúnmente conllevan los métodos autolimpiantes tradicionales. Con la tecnología autolimpiante AquaLift®, un revestimiento innovador del interior del horno se activa con calor y agua para aflojar la suciedad quemada adherida. Para usar la tecnología autolimpiante AquaLift®, simplemente repase los restos sueltos, vuelque agua en el piso del horno y haga funcionar el ciclo autolimpiante AquaLift®. Cuando el ciclo finaliza en menos de 1 hora a una temperatura inferior a la de métodos autolimpiantes tradicionales, simplemente recoja el agua restante y los restos sueltos. Para obtener instrucciones más detalladas, consulte la sección "Ciclo de limpieza" en el Manual del propietario. Por información adicional, preguntas frecuentes y videos sobre el uso de la tecnología autolimpiante AquaLift®, visite nuestro sitio web en <http://whirlpoolcorp.com/aqualift>.

Temperatura de la superficie

Cuando la cocina está en uso, todas las superficies pueden calentarse, incluidas las perillas y la puerta del horno.

Cajón de horneado, calentamiento o almacenamiento

Cuando el horno está funcionando, es posible que el cajón se caliente. No guarde en el cajón objetos de plástico, paños ni otros objetos que pudieran derretirse o quemarse.

Ducto de ventilación del horno

El ducto de ventilación del horno libera aire caliente y humedad del horno y no debe bloquearse ni taparse. No coloque objetos de plástico, papel ni otros objetos que puedan derretirse o quemarse cerca del ducto de ventilación del horno.

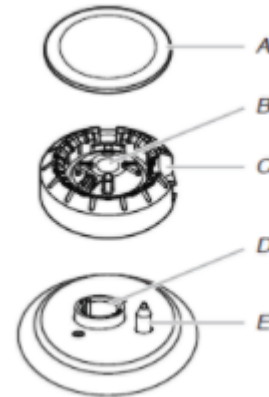
Quemadores de superficie sellados

IMPORTANTE: No obstruya el flujo de aire de combustión y ventilación alrededor de los bordes de la rejilla del quemador.

Tapa del quemador: Siempre mantenga la tapa del quemador en su lugar cuando use un quemador de la superficie. Una tapa del quemador limpia ayudará a prevenir el encendido deficiente y las llamas desparejas. Siempre limpie la tapa del quemador después de un derrame, y quite y limpie periódicamente las tapas como se indica en la sección "Limpieza general".

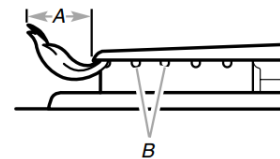
NOTA: La base de cada quemador redondo está marcada con una letra que indica el tamaño del quemador.

Alineamiento: Asegúrese de alinear la abertura del tubo de gas en la base del quemador con el soporte de orificio en la superficie de cocción y el electrodo encendedor con la muesca en la base del quemador.



- A. Tapa del quemador
- B. Abertura del tubo de gas
- C. Base del quemador
- D. Soporte de orificio
- E. Electrodo encendedor

Abertura del tubo de gas: El gas debe fluir libremente a través de la abertura del tubo de gas para que el quemador se encienda como es debido. Mantenga esta zona libre de suciedad y no permita que ingresen derrames, alimentos, agentes de limpieza ni otros materiales a la abertura del tubo de gas. Para mantener los derrames lejos del tubo de gas, use siempre una tapa para los quemadores.



- A. 1-1/2" (2,5 a 3,8 cm)
- B. Orificios del quemador

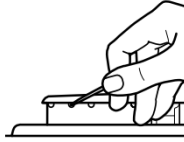
Orificios del quemador: Revise las llamas del quemador ocasionalmente para fijarse que tengan el tamaño y la forma adecuados, como se muestra arriba. Una buena llama es de color azul, no amarillo. Mantenga esta zona libre de suciedad y no permita que ingresen derrames, alimentos, agentes de limpieza ni otros materiales en los orificios del quemador.

Para limpiar:

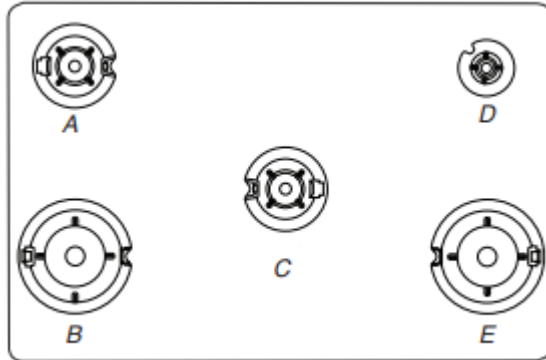
IMPORTANTE: Antes de la limpieza, asegúrese de que todos los controles estén apagados y que la superficie de cocción esté fría. No use limpiadores para horno, cloro ni eliminadores de óxido. No la lave en el lavavajillas

1. Retire la tapa del quemador de la base del quemador y limpie como se indica en la sección "Limpieza general" en el Manual del propietario.
2. Limpie la abertura del tubo de gas con un paño húmedo.

3. Limpie los orificios del quemador obstruidos con un alfiler recto, como se muestra. No agrande ni deforme el orificio. No use un palillo de dientes de madera. Si se debe regular el quemador, póngase en contacto con un especialista en reparación capacitado.

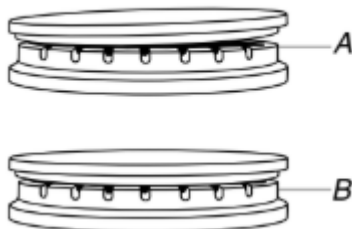


4. Vuelva a colocar la base del quemador. Las bases y las tapas de los quemadores deben estar correctamente ubicadas antes de cocinar. La base de cada quemador redondo está marcada con una letra que indica el tamaño del quemador. Vea la ilustración siguiente para las posiciones de los quemadores.



- A. Mediano (Semirrápido) D. Pequeño (Auxiliar)
 B. Grande (Ultrarápido) E. Grande (Ultrarápido)
 C. Mediano (Semirrápido)

5. Vuelva a colocar la tapa del quemador y asegúrese de que quede debidamente alineada con la base del quemador. Si las tapas de los quemadores no están en la posición correcta, los quemadores de superficie no se encenderán. La tapa de los quemadores no debe oscilar ni tambalearse si está debidamente alineada.



- A. Incorrecto
 B. Correcto

IMPORTANTE: Las bases de las tapas pequeñas e intermedias son distintas. No coloque una tapa de quemador sobre la base de quemador equivocada.

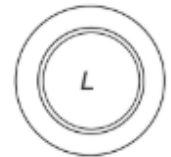
NOTA: La base de cada quemador redondo está marcada con una letra que indica el tamaño del quemador.



Tapa pequeña (Auxiliar)



Tapa mediana (Semirrápido)



Tapa grande (Ultrarápido)

6. Encienda el quemador. Si el quemador no se enciende, verifique la alineación de la tapa. Si el quemador todavía no se enciende, ciérrelo. No intente reparar el quemador por su cuenta. Comuníquese con un especialista en reparación competente.

Utensilios de cocina

IMPORTANTE: No deje utensilios de cocina vacíos sobre una zona de cocción, un elemento o un quemador de superficie que estén calientes.

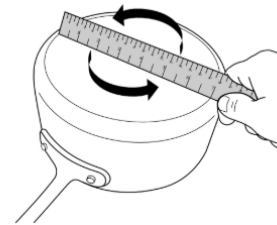
El utensilio de cocina ideal debe tener fondo plano, lados rectos y una tapa que encaje bien, y el material debe ser de grosor medio a pesado.

Los acabados ásperos pueden rayar la superficie de cocción o las bobinas. El aluminio y el cobre pueden usarse como centro o base del utensilio de cocina. Sin embargo, cuando se usan como base pueden dejar marcas permanentes en las superficies.

El material de los utensilios de cocina es un factor que influye en la rapidez y la uniformidad con la que se transmite el calor, lo que afecta los resultados de la cocción. Un acabado antiadherente tiene las mismas características que su material de base. Por ejemplo, un utensilio de cocina de aluminio con acabado antiadherente tendrá las propiedades del aluminio.

No deben usarse utensilios de cocina con superficies antiadherentes bajo el asador.

Verifique si el utensilio de cocina es plano colocando el borde recto de una regla a lo largo del fondo de este. Mientras rota la regla, no debe verse espacio ni luz entre la regla y el utensilio de cocina.

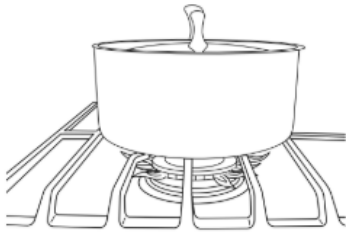


Utilice la siguiente tabla como guía para ver las características de los materiales de los utensilios de cocina.

Utensilios de cocina	Características
Aluminio	<ul style="list-style-type: none"> Se calienta de manera rápida y uniforme. Sirve para todos los tipos de cocción. Los espesores medianos o pesados son óptimos para la mayoría de las tareas de cocción.
Hierro fundido	<ul style="list-style-type: none"> Se calienta de manera lenta y uniforme. Es bueno para dorar y freír. Mantiene el calor para una cocción lenta.
Cerámica o vitrocerámica	<ul style="list-style-type: none"> Siga las instrucciones del fabricante. Se calienta de manera lenta, pero irregular. Da los mejores resultados en los ajustes de calor bajo a medio.

Utensilios de cocina	Características
Cobre	<ul style="list-style-type: none"> ■ Se calienta de manera muy rápida y uniforme. ■ Puede dejar residuos de cobre que se pueden atenuar si se limpian inmediatamente después de la cocción.
Utensilios de barro/piedra	<ul style="list-style-type: none"> ■ Siga las instrucciones del fabricante. ■ Use con ajustes de calor bajos.
Hierro fundido o acero con esmalte de porcelana	<ul style="list-style-type: none"> ■ Vea acero inoxidable o hierro fundido.
Acero inoxidable	<ul style="list-style-type: none"> ■ Se calienta de manera rápida, pero irregular. ■ Un centro o una base de aluminio o cobre sobre acero inoxidable proporciona un calor uniforme.

Para obtener resultados óptimos, el recipiente de cocción deberá estar centrado encima del quemador con la base nivelada sobre la rejilla. Deberá regularse la llama para que no se eleve por los costados del recipiente.



Envasado casero

Al preparar envasados durante períodos prolongados, alterne el uso de los quemadores de superficie entre una tanda y otra. Esto da tiempo para que se enfríen las áreas que se han usado recientemente.

- Centre el recipiente para envasado sobre la rejilla, encima del quemador.
- No coloque el recipiente para envasado sobre 2 quemadores de superficie a la vez.
- Para obtener más información, póngase en contacto con la oficina de extensión del departamento de agricultura local o consulte guías para envasado casero publicadas. También pueden ofrecer ayuda las compañías que fabrican productos para envasado casero.

USO DEL HORNO

Durante el funcionamiento normal de la estufa, se pueden oír diversos ruidos cada vez que se encienden los quemadores para hornear o asar a la parrilla durante el ciclo de cocción:

- Es posible que las válvulas de gas emitan un ligero sonido de “estallido” cuando se abren o se cierran.
- Los encendedores emitirán un chasquido varias veces hasta que se detecte una llama.
- Sonará un “puf” cuando se encienda el quemador de hornear o el de asar a la parrilla.

Los olores y el humo son normales cuando el horno se usa las primeras veces o cuando tiene suciedad profunda.

IMPORTANTE: la salud de algunas aves es sumamente sensible a los gases emanados. La exposición a las emanaciones puede ocasionar la muerte de ciertas aves. Siempre traslade las aves a otra habitación cerrada y bien ventilada.

NOTA: en algunos modelos: el ventilador de convección se apagará cuando se abra la puerta del horno. Si la puerta del horno permanece abierta demasiado tiempo, los elementos calentadores se apagarán hasta que se la cierre. Todos los temporizadores, incluidas las funciones activas de Cook Time (Tiempo de cocción) y Timed Cook (Cocción programada), continuarán la cuenta regresiva.

Controles electrónicos del horno

Pantalla de control

La pantalla se iluminará cuando se encienda la cocina o después de un corte de corriente. Cuando el horno no está en uso, se muestra la hora del día.

Tonos

Los tonos son señales audibles que indican lo siguiente:

Un tono

- Presión de tecla válida
- El horno está precalentado (tono largo)
- Se ha introducido una función.
- Temporizador de cocina (tono largo con un tono recordatorio cada 60 segundos).

Tres tonos

- Presión de tecla no válida

Cuatro tonos

- Fin de ciclo (con un tono recordatorio cada 60 segundos).

Use el botón Options (Opciones) para cambiar los ajustes de tonos.

Opciones

Muchas características del control del horno pueden regularse para satisfacer sus necesidades personales. Estos cambios se hacen con la tecla Options (Opciones).

Use la tecla Options (Opciones) para ver qué características pueden cambiarse. Cada vez que presiona la tecla Options (Opciones), la pantalla avanzará al próximo ajuste. Después de seleccionar la característica que va a cambiar, el control le indicará qué tecla debe presionar. En las secciones que siguen, se explican los detalles de todos los cambios de características.

Presione OFF (Apagado) para salir de Options (Opciones).

Fahrenheit and Celsius (Fahrenheit y Celsius)

La temperatura está prefijada en Fahrenheit, pero puede cambiarla a Celsius.

1. Presione OPTIONS (Opciones) hasta que aparezca en la pantalla “TEMP UNIT” (Unidad de temperatura).
2. Aparecerá el ajuste actual.
3. Presione la tecla “1” para configurar el ajuste.
4. Presione OFF (Apagado) para guardar los ajustes y visualizar la hora del día.

Deshabilitar los tonos audibles

Apaga todos los tonos, incluso el tono de fin de ciclo y los tonos de las teclas.

1. Presione OPTIONS (Opciones) hasta que aparezca en la pantalla "SOUND" (Sonido).
2. Aparecerá el ajuste actual.
3. Presione la tecla "1" para configurar el ajuste.
4. Presione OFF (Apagado) para guardar los ajustes y visualizar la hora del día.

Volumen de sonido

Fija el tono de la señal sonora como alto o bajo.

1. Presione OPTIONS (Opciones) hasta que aparezca en la pantalla "SOUND VOLUME" (Volumen de sonido).
2. Aparecerá el ajuste actual.
3. Presione la tecla "1" para configurar el ajuste.
4. Presione OFF (Apagado) para guardar los ajustes y visualizar la hora del día.

End-of-Cycle Tone (Tono de fin de ciclo)

Activa o apaga los tonos que se escuchan al final de un ciclo.

1. Presione OPTIONS (Opciones) hasta que aparezca en la pantalla "END TONE" (Tono de fin).
2. Aparecerá el ajuste actual.
3. Presione la tecla "1" para configurar el ajuste.
4. Presione OFF (Apagado) para guardar los ajustes y visualizar la hora del día.

Keypress Tones (Tonos del teclado)

Activa o apaga los tonos que se escuchan cuando se presiona una tecla.

1. Presione OPTIONS (Opciones) hasta que aparezca en la pantalla "KEYPRESS TONE" (Tono del teclado).
2. Aparecerá el ajuste actual.
3. Presione la tecla "1" para configurar el ajuste.
4. Presione OFF (Apagado) para guardar los ajustes y visualizar la hora del día.

Deshabilitar los tonos recordatorios

Apaga el tono breve que se repite cada 1 minuto después de los tonos de fin de ciclo.

1. Presione OPTIONS (Opciones) hasta que aparezca en la pantalla "REMINDER TONE" (Tono recordatorio).
2. Aparecerá el ajuste actual.
3. Presione la tecla "1" para configurar el ajuste.
4. Presione OFF (Apagado) para guardar los ajustes y visualizar la hora del día.

Reloj de 12/24 horas

1. Presione OPTIONS (Opciones) hasta que aparezca en la pantalla "12/24 HOUR" (12/24 horas).
2. Aparecerá el ajuste actual.
3. Presione la tecla "1" para configurar el ajuste.
4. Presione OFF (Apagado) para guardar los ajustes y visualizar la hora del día.

Modo de demostración

IMPORTANTE: Esta característica está destinada al uso en el salón de ventas con una conexión eléctrica de 120 V y permite demostrar las características de control sin que se enciendan los elementos calentadores o quemadores. Si se activa esta característica, el horno no funcionará.

1. Presione OPTIONS (Opciones) hasta que aparezca en la pantalla "DEMO MODE" (Modo de demostración).
2. Aparecerá el ajuste actual.
3. Presione la tecla "1" para configurar el ajuste.
4. Presione OFF (Apagado) para guardar los ajustes y visualizar la hora del día.

Apagado después de 12 horas

El control del horno se fija para apagarlo automáticamente 12 horas después de que haya comenzado la función de cocción o de limpieza. Esto no interferirá con ninguna función de cocción programada ni diferida.

1. Presione OPTIONS (Opciones) hasta que aparezca en la pantalla "12-HR AUTO-OFF" (Apagado automático después de 12 horas).
2. Aparecerá el ajuste actual.
3. Presione la tecla "1" para configurar el ajuste.
4. Presione OFF (Apagado) para guardar los ajustes y visualizar la hora del día.

Idioma: Texto de desplazamiento de la pantalla

Las opciones de idioma son inglés, español y francés.

1. Presione OPTIONS (Opciones) hasta que aparezca en la pantalla "LANGUAGE" (Idioma).
2. Aparecerá el ajuste actual.
3. Presione las teclas numéricas para configurar el ajuste.
4. Presione OFF (Apagado) para guardar los ajustes y visualizar la hora del día.

Ahorro de energía

El modo Energy Save (Ahorro de energía) sitúa la estufa en reposo y reduce el consumo de energía.

1. Presione OPTIONS (Opciones) hasta que aparezca en la pantalla "ENERGY SAVE" (Ahorro de energía).
2. Aparecerá el ajuste actual.
3. Presione la tecla "1" para configurar el ajuste.
4. Presione OFF (Apagado) para guardar los ajustes y visualizar la hora del día.

Control de compensación de la temperatura del horno

IMPORTANTE: No use un termómetro para medir la temperatura del horno. Los elementos se encenderán y se apagarán según sea necesario para mantener una temperatura uniforme, pero es posible que funcione en algún momento ligeramente caliente o frío a causa de este ciclo. La mayoría de los termómetros son lentos para reaccionar a los cambios de temperatura y no brindarán una lectura precisa a causa de este ciclo.

El horno proporciona temperaturas exactas; sin embargo, es posible que cocine más rápido o más despacio que su horno anterior, de manera que se puede ajustar la temperatura para adecuarla a sus necesidades de cocción. Puede cambiarse a Fahrenheit o a Celsius.

Para ajustar la temperatura del horno:

1. Presione OPTIONS (Opciones) hasta que aparezca en la pantalla "TEMP CALIB" (Calibración de temperatura).
2. Aparecerá el ajuste actual. Presione el botón "1" para alternar entre el horno y el cajón de calentamiento.
3. Presione START (Inicio) para seleccionar la opción que aparece en la pantalla en el paso 2. Espere 10 segundos para que cambie la pantalla o presione START (Inicio) y, después, continúe con el paso 4.
4. Presione la tecla "3" para aumentar la temperatura en incrementos de 5 °F (3 °C), o presione la tecla "6" para disminuir la temperatura en incrementos de 5 °F (3 °C). El rango es de -30 °F a +30 °F (de -18 °C a +18 °C).
5. Presione OFF (Apagado) para guardar los ajustes y visualizar la hora del día.

Keep Warm (Mantener caliente)

IMPORTANTE: Los alimentos deberán estar a la temperatura para ser servidos antes de colocarlos en el horno calentado. Se pueden mantener hasta 1 hora; sin embargo, los panes y estofados se pueden secar mucho si se dejan en el horno con la función Keep Warm (Mantener caliente). Para obtener resultados óptimos, cubra los alimentos.

La función Keep Warm (Mantener caliente) permite mantener los alimentos cocinados a una temperatura lista para servirse.

Forma de uso:

1. Presione KEEP WARM (Mantener caliente).
2. Presione las teclas numéricas para fijar la temperatura deseada. Si la temperatura que se ingresó no está dentro del rango de temperaturas permitidas, aparecerá la temperatura mínima o máxima permitida. Ingrese una temperatura dentro del rango permitido.

NOTA: Para cambiar la temperatura en cualquier momento, presione los botones numéricos e introduzca la temperatura deseada; luego presione START (Inicio).

3. Presione START (Inicio).
4. Coloque los alimentos en el horno.
5. Presione OFF (Apagado) cuando haya terminado.
6. Retire los alimentos del horno.

Para cancelar Keep Warm (Mantener caliente):

1. Presione OFF (Apagado).
2. Retire los alimentos del horno.

Modo Sabbath (Sabbat)

El modo Sabbath (Sabbat) fija el horno para que permanezca encendido en un ajuste para hornear hasta que se apague.

Cuando se fije el modo Sabbath (Sabbat), solamente funcionará el ciclo Bake (Hornear). Todos los demás ciclos de cocción y limpieza estarán deshabilitados. No sonará ningún tono y las pantallas no indicarán cambios de temperatura.

Cuando se abra o se cierre la puerta del horno, la luz no se encenderá ni apagará y los elementos calentadores no se encenderán ni apagarán de inmediato.

Para activar la función del modo Sabbath (Sabbat) (solo una vez):

1. Presione OPTIONS (Opciones) hasta que aparezca en la pantalla "SABBATH" (Día de descanso).
2. Presione la tecla "1". Puede activarse el modo Sabbath (Sabbat) para hornear.
3. Presione START (Inicio) u OFF (Apagado) para guardar los ajustes y visualizar la hora del día.

NOTA: Para desactivar el modo Sabbath (Sabbat), repita los pasos 1 al 3 para cambiar el estado de "SABBATH ON" (Sabbat activado) a "SABBATH OFF" (Sabbat desactivado).

Para activar el modo Sabbath (Sabbat):

1. Presione BAKE (Hornear).
2. Presione las teclas numéricas para fijar la temperatura deseada. Si la temperatura que se ingresó no está dentro del rango de temperaturas permitidas, aparecerá la temperatura mínima o máxima permitida. Ingrese una temperatura dentro del rango permitido.
3. Presione START (Inicio).
Para la cocción programada en modo Sabbath (Sabbat), presione COOK TIME (Tiempo de cocción) y luego las teclas numéricas para fijar el tiempo de cocción deseado. Presione START (Inicio).
4. Presione OPTIONS (Opciones). Sonarán tres tonos. Luego presione "7". Aparecerá "SAb" (Sabbat) en la pantalla.

Para ajustar la temperatura (cuando el modo Sabbath [Sabbat] está funcionando):

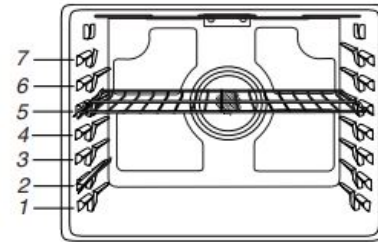
1. Presione BAKE (Hornear).
2. Presione la tecla numérica según se indique en el texto en la pantalla para seleccionar una nueva temperatura.
NOTA: El ajuste de temperatura no aparecerá en la pantalla y no sonará ningún tono. El texto que se desplaza aparecerá en la pantalla como estaba antes de presionarse el botón.
3. Presione START (Inicio).

Para desactivar el modo Sabbath (Sabbat):

Presione OPTIONS (Opciones) y luego "7" para volver al horneado normal o presione OFF (Apagado) para apagar la estufa.

Posición de las parrillas y los utensilios para hornear

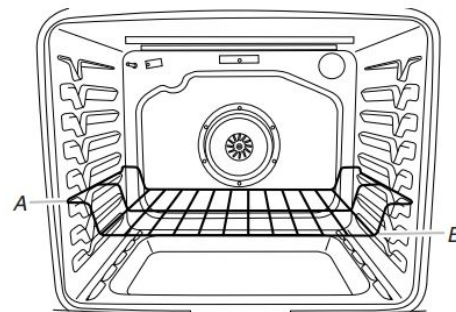
Use como guía la ilustración siguiente.



El horno tiene siete posiciones para una parrilla plana, como se muestra en la ilustración anterior y en la tabla a continuación.

Posición de parrilla plana	Tipo de alimento
7	Carnes para asar a la parrilla/dorar rápidamente, hamburguesas y bistecs
6	Carnes, pollo y pescado asados a la parrilla
3 o 4	La mayoría de los alimentos horneados, estofados
2	Carnes asadas
1	Asados o aves grandes

IMPORTANTE: Si su modelo tiene una parrilla de horno de máxima capacidad, los extremos en relieve deberán colocarse en la posición de parrilla por encima de la posición deseada para el alimento. Vea la siguiente ilustración.



- A. Extremos de la parrilla en la posición 3
B. Alimento en la posición 2

IMPORTANTE: Estas posiciones de parrilla son para las parrillas planas. Si se usa una parrilla de horno de máxima capacidad, la posición de la parrilla debe ajustarse como se muestra en la figura anterior.

Utensilios para hornear

Para una cocción uniforme, el aire caliente debe poder circular. Deje 2" (5 cm) libres alrededor del utensilio para hornear y las paredes del horno. Asegúrese de que ningún utensilio para hornear esté directamente encima de otro.

Cocción en varias parrillas

Dos parrillas (sin convección): Use las posiciones de parrilla 2 y 5 o 3 y 6.

Dos parrillas (con convección): Use las posiciones de parrilla 2 y 5 o 3 y 6.

Tres parrillas (con convección): Utilice una parrilla plana en las posiciones 4 y 6 y una parrilla para horno de capacidad máxima en la posición 3.

Hornear y asar

Preheating (Precalentamiento)

Cuando comience un ciclo Bake (Hornear), Convect Bake (Hornear por convección) o Convect Roast (Asar por convección), el horno empezará a precalentarse después de que se presione el botón Start (Inicio). El horno tardará de 12 a 15 minutos aproximadamente para alcanzar 350 °F (177 °C) con todas las parrillas de horno provistas con el horno dentro de la cavidad. Cuanto mayor sea la temperatura, más tiempo tomará precalentar el horno. El ciclo Preheat (Precalentamiento) aumenta rápidamente la temperatura del horno. La temperatura real del horno superará la temperatura fijada para compensar la pérdida de calor cuando se abra la puerta del horno para introducir los alimentos. Esto asegura que el horno comience a la temperatura correcta cuando se coloquen los alimentos en el horno. Introduzca los alimentos cuando suene el tono de precalentamiento. No abra la puerta durante el precalentamiento, antes de que suene el tono.

Temperatura del horno

Mientras estén en uso, los elementos del horno se encenderán y se apagarán según sea necesario para mantener una temperatura constante, pero es posible que se tornen ligeramente calientes o fríos a causa del encendido y apagado. Si se abre la puerta del horno mientras se encuentra en uso, saldrá el aire caliente y el horno se enfriará, lo que podría afectar el tiempo y el rendimiento de la cocción. Se recomienda usar la luz del horno para controlar el progreso de la cocción.

NOTA: en los modelos con convección, el ventilador de convección puede funcionar en el modo de horneado sin convección para mejorar el rendimiento del horno.

Temperature Management System (Sistema de control de temperatura)

El sistema de control de temperatura regula electrónicamente los niveles de calor del horno durante el precalentamiento y el horneado para mantener una temperatura precisa y obtener resultados de cocción óptimos. Los elementos o quemadores de horneado y asado a la parrilla se encienden y apagan a intervalos. En los modelos de cocina con convección, el ventilador funcionará durante el precalentamiento y es posible que se encienda y apague durante intervalos breves durante el horneado para producir resultados óptimos. Esta función se activa automáticamente cuando el horno está en uso.

Antes de hornear o asar, coloque las parrillas de acuerdo con lo especificado en la sección "Posición de las parrillas y los utensilios para hornear". Para asar, no es necesario esperar a que termine el ciclo de precalentamiento del horno antes de colocar los alimentos, a menos que la receta de cocina lo recomiende.

Broiling (Asar a la parrilla)

No es necesario precalentar, a menos que se recomiende otra cosa en la receta. Coloque el alimento sobre la parrilla en una charola para asar y sitúela en el centro de la parrilla del horno.

IMPORTANTE: Cierre la puerta para garantizar una temperatura adecuada para asar a la parrilla.

Para obtener un control más preciso al cocinar, cambie la temperatura según sea necesario. Cuanto más bajo sea el ajuste de temperatura, más lenta será la cocción. Los cortes más gruesos y las piezas de carne, pescado y aves con forma irregular se pueden cocinar mejor con ajustes para asar a la parrilla más bajos. Use las parrillas 6 o 7 para asar a la parrilla. Use la posición de parrilla 6 con la parrilla deslizable. Consulte la sección "Posición de las parrillas y los utensilios para hornear" para obtener más información.

■ Para obtener resultados óptimos, utilice una charola para asar y una parrilla. Está diseñado para drenar los jugos y ayudar a evitar salpicaduras y humo.

Si desea comprar una charola para asar, puede realizar un pedido. Para más información, consulte la Guía de inicio rápido.

NOTA: Los olores y el humo son normales cuando el horno se usa las primeras veces o cuando tiene suciedad profunda.

Cocción por convección

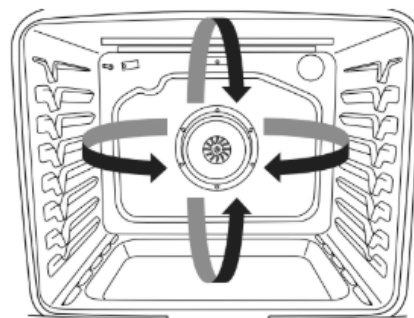
En un horno por convección, el aire caliente que hace circular el ventilador distribuye el calor continuamente y con más uniformidad que el movimiento natural del aire en un horno térmico estándar. Este movimiento de aire caliente ayuda a mantener una temperatura uniforme en todo el horno, cocina los alimentos más uniformemente y deja las superficies crujientes a la vez que atrapa la humedad y hace que los panes salgan con cortezas más crujientes.

Durante la cocción por convección, los quemadores de horneado y asado a la parrilla, junto con el elemento y el ventilador de convección (solo para convección verdadera) se encienden y apagan a intervalos para mantener la temperatura del horno, mientras el ventilador hace circular aire caliente.

NOTA: el ventilador de convección se encenderá aproximadamente a los 5 minutos de cualquier ciclo de convección.

Si se abre la puerta del horno durante la cocción por convección, el ventilador se apagará de inmediato. Se encenderá nuevamente cuando cierre la puerta del horno.

NOTA: la puerta del horno debe estar cerrada para asar a la parrilla por convección.

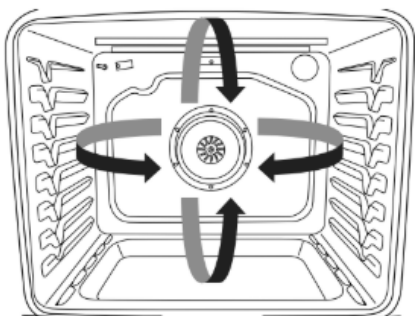


Coloque las parrillas siguiendo las instrucciones de la sección "Posición de las parrillas y los utensilios para hornear" antes de comenzar la cocción por convección.

Con la cocción por convección, la mayoría de los alimentos pueden cocerse a una temperatura más baja o en menos tiempo. Estos ajustes pueden hacerse usando la tabla siguiente o la característica de conversión EasyConvect™ de la cocina.

Ajuste	Directrices
CONVECT BAKE (Hornear por convección)	Reduzca 15 °C (25 °F) la temperatura normal para hornear.
CONVECT ROAST (Asar por convección)	Use la temperatura normal de la receta. El tiempo de cocción puede reducirse del 15 al 30 % con Convect Roast (Asar por convección) de modo que se debe revisar el alimento antes para ver si está listo.
CONVECT BROIL (Asar a la parrilla por convección)	Use la temperatura normal de la receta. El tiempo de cocción puede reducirse, de modo que se debe revisar el alimento antes para ver si está listo.

Convección verdadera en forma de moño con el elemento T. H.E.™ (Calor uniforme)



La convección verdadera agrega un elemento eléctrico alrededor del ventilador de convección, para realzar el rendimiento de cocción. Esta característica permite hornear con tres parrillas en su estufa. Use como guía la siguiente tabla de Opciones de convección.

Opciones de convección

Ajuste	Alimentos
CONVECT BAKE (Hornear por convección)	Horneado en una o más parrillas para galletas, bizcochos, panes, cazuelas, tartas, tortas.
CONVECT ROAST (Asar por convección)	Pollo o pavo entero, verduras, asados de cerdo y de carne de res.
CONVECT BROIL (Asar a la parrilla por convección)	Cortes más gruesos o piezas de forma irregular de carne, pescado o ave.

Conversión EasyConvect™

Las temperaturas y los tiempos de cocción por convección pueden ser diferentes de los de la cocción común. Según la categoría seleccionada, la conversión EasyConvect™ reduce automáticamente la temperatura y/o el tiempo normal de la receta que se ingrese para la cocción por convección.

Los alimentos se agrupan en cuatro categorías generales. Elija la categoría más apropiada para el alimento que vaya a cocinar. Utilice la siguiente tabla como guía.

Ajuste	Alimentos
MEATS (Carnes)	Pollo: entero y presas Pastel de carne, carnes asadas: puerco, res y jamón (El pavo y las aves grandes no se incluyen debido a que su tiempo de cocción varía.)
ALIMENTOS HORNEADOS	Bizcochos, panes: rápidos y con levadura Pasteles y galletas Guisados
PIZZA	Pizza fresca, pizza congelada
OTHER (Otros)	Alimentos precocinados congelados: patatas fritas, barritas de pescado, lasagna

Forma de uso:

NOTA: Para obtener los mejores resultados, precaliente el horno a la temperatura requerida antes de usar la conversión EasyConvect™ (Convección fácil). Una vez finalizado el precalentamiento, pulse OFF (Apagado) antes de utilizar EasyConvect™ (Convección fácil).

1. Presione la tecla EASY CONVECT (Convección fácil) para la opción deseada (MEATS [Carnes], BAKED GOODS [Alimentos horneados], PIZZA u OTHER [Otros]).
2. Presione START (Inicio).
3. Presione las teclas numéricas para ingresar la temperatura de cocción estándar y luego presione START (Inicio).
4. Presione las teclas numéricas para ingresar el tiempo de cocción estándar y luego presione START (Inicio).
5. Coloque los alimentos en el horno.
Fíjese si los alimentos están listos antes de que se alcance el tiempo de detención. Si los alimentos no van a estar listos cuando llegue el tiempo de detención, agregue más tiempo de cocción antes de que pase el tiempo (vea la sección "Tiempo de cocción"). Al final del tiempo de detención, el horno se apagará automáticamente.
6. Presione OFF (Apagado) cuando haya terminado.
7. Retire los alimentos del horno.

Cómo hacer leudar el pan

Al leudar el pan, la masa se prepara para el horneado activando la levadura. Siga las instrucciones de la receta como guía. Standard Proof (Leudado estándar) deberá usarse para la masa fresca, la masa descongelada y para el primer y segundo leudado. Rapid Proof (Leudado rápido) (en algunos modelos) funciona a una temperatura ligeramente más alta que Standard Proof (Leudado estándar), y puede usarse para leudar la masa formada por segunda vez.

Para leudar:

Antes del primer leudado, coloque la masa en un tazón ligeramente engrasado y cúbrala de modo flojo con papel encerado revestido de manteca. Coloque en la posición 2 y luego cierre la puerta del horno.

1. Presione BREAD PROOF (Leudar el pan) hasta que aparezca en la pantalla el tipo de leudado deseado ("Standard" [Estándar] o "Rapid" [Rápido]).
2. Presione START (Inicio).
Deje que la masa se esponje hasta que esté casi al doble de su tamaño. El tiempo de leudado puede variar según el tipo y la cantidad de masa.
3. Presione OFF (Apagado) cuando termine el leudado.

Antes de poner a leudar la masa por segunda vez, dele forma, colóquela en el (los) molde(s) para hornear y luego cúbrala ligeramente. Siga los mismos pasos detallados anteriormente para ubicar y controlar la masa. Quite la cubierta antes de hornear.

NOTA: si la temperatura del horno es mayor que 120 °F (49 °C), la pantalla indicará "Oven cooling" (Horno enfriándose) hasta que la temperatura esté por debajo de 120 °F (49 °C).

Cook Time (Tiempo de cocción)

Para fijar una cocción programada:

1. Presione BAKE (Hornear), CONVECT BAKE (Hornear por convección), CONVECT ROAST (Asar por convección) o CONVECT BROIL (Asar a la parrilla por convección).
2. Presione las teclas numéricas para fijar la temperatura deseada. Si la temperatura que se ingresó no está dentro del rango de temperaturas permitidas, aparecerá la temperatura mínima o máxima permitida. Ingrese una temperatura dentro del rango permitido.
3. Presione COOK TIME (Tiempo de cocción).
4. Presione las teclas numéricas para ingresar la duración del tiempo de cocción.
5. Presione START (Inicio). En la pantalla aparecerá la cuenta regresiva del tiempo. Cuando finalice el tiempo, el horno se apagará automáticamente.
Para cambiar el ajuste de la temperatura y/o el tiempo en cualquier momento, repita los pasos 2 a 5.
6. Presione OFF (Apagado) para borrar la pantalla.
NOTA: El ajuste de tiempo para cualquier función de cocción temporizada, incluyendo la conversión EasyConvect™, puede fijarse siguiendo los pasos anteriores 3 a 5.

Para ajustar Delayed Timed Cook (Cocción programada diferida):

1. Presione DELAY START (Inicio diferido).
2. Presione las teclas numéricas para ingresar la cantidad de horas y/o minutos que quiera retrasar la hora de inicio.
3. Presione BAKE (Hornear), CONVECT BAKE (Hornear por convección), CONVECT ROAST (Asar por convección) o CONVECT BROIL (Asar a la parrilla por convección).
4. Presione las teclas numéricas para fijar la temperatura deseada. Si la temperatura que se ingresó no está dentro del rango de temperaturas permitidas, aparecerá la temperatura mínima o máxima permitida. Ingrese una temperatura dentro del rango permitido.
5. Presione START (Inicio) o COOK TIME (Tiempo de cocción).
6. Presione las teclas numéricas para introducir la duración del tiempo de cocción.
7. Presione START (Inicio).
El horno se encenderá automáticamente cuando haya alcanzado la hora de inicio. Para cambiar el ajuste de la temperatura y/o el tiempo después de la cuenta regresiva del retraso, repita los pasos 1 a 7. Al volver a fijar el tiempo y la temperatura, se debe presionar Start (Inicio) entre los pasos 4 y 5 para seguir haciendo cambios.
Cuando termine el tiempo de cocción fijado, el horno se apagará automáticamente.
8. Presione OFF (Apagado) para borrar la pantalla.