

KitchenAid®

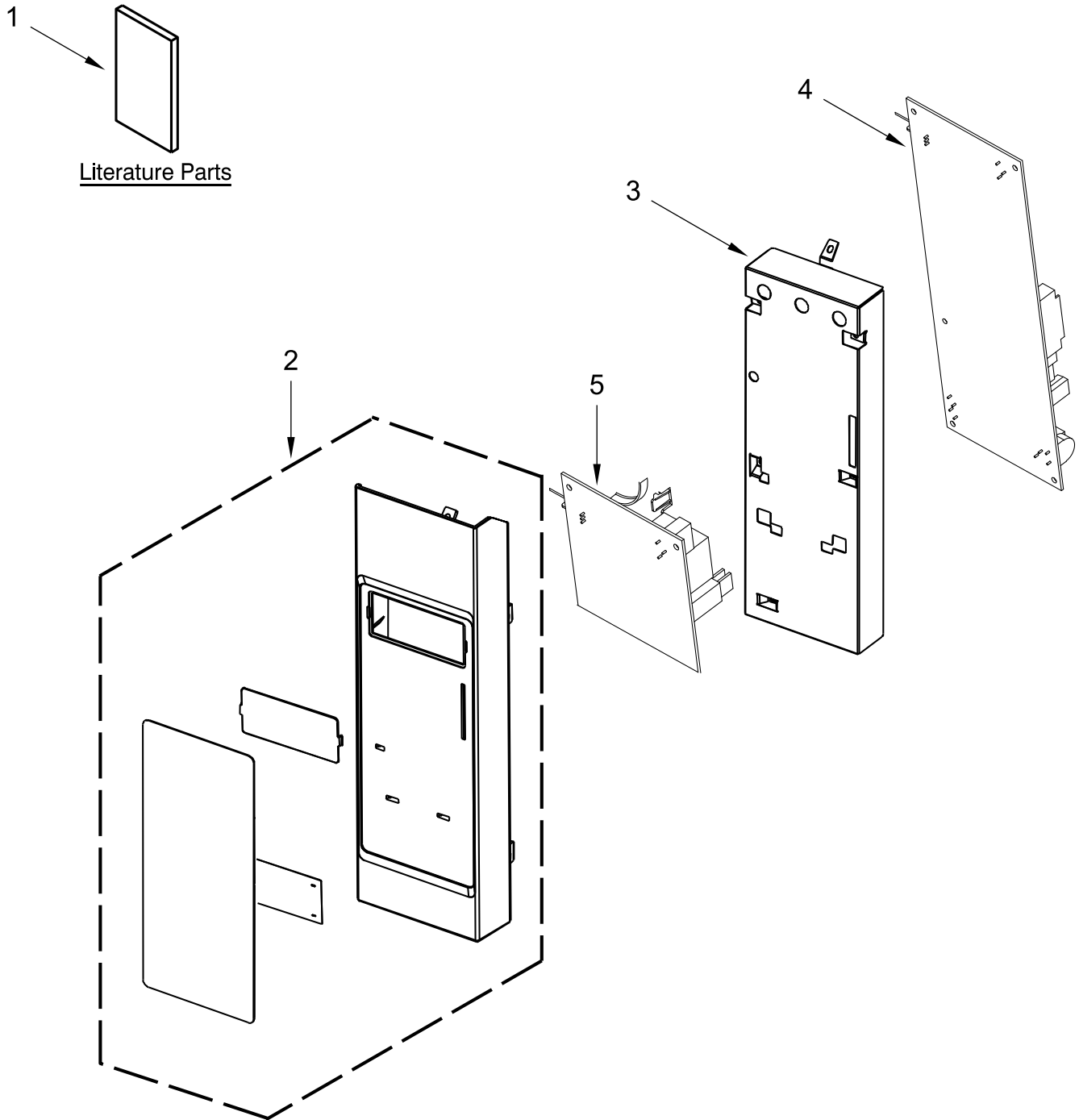
2.0 CUBIC FOOT MICROWAVE HOOD

MODELS:

KMHS120EWH11 (White)

KMHS120ESS11 (Stainless)

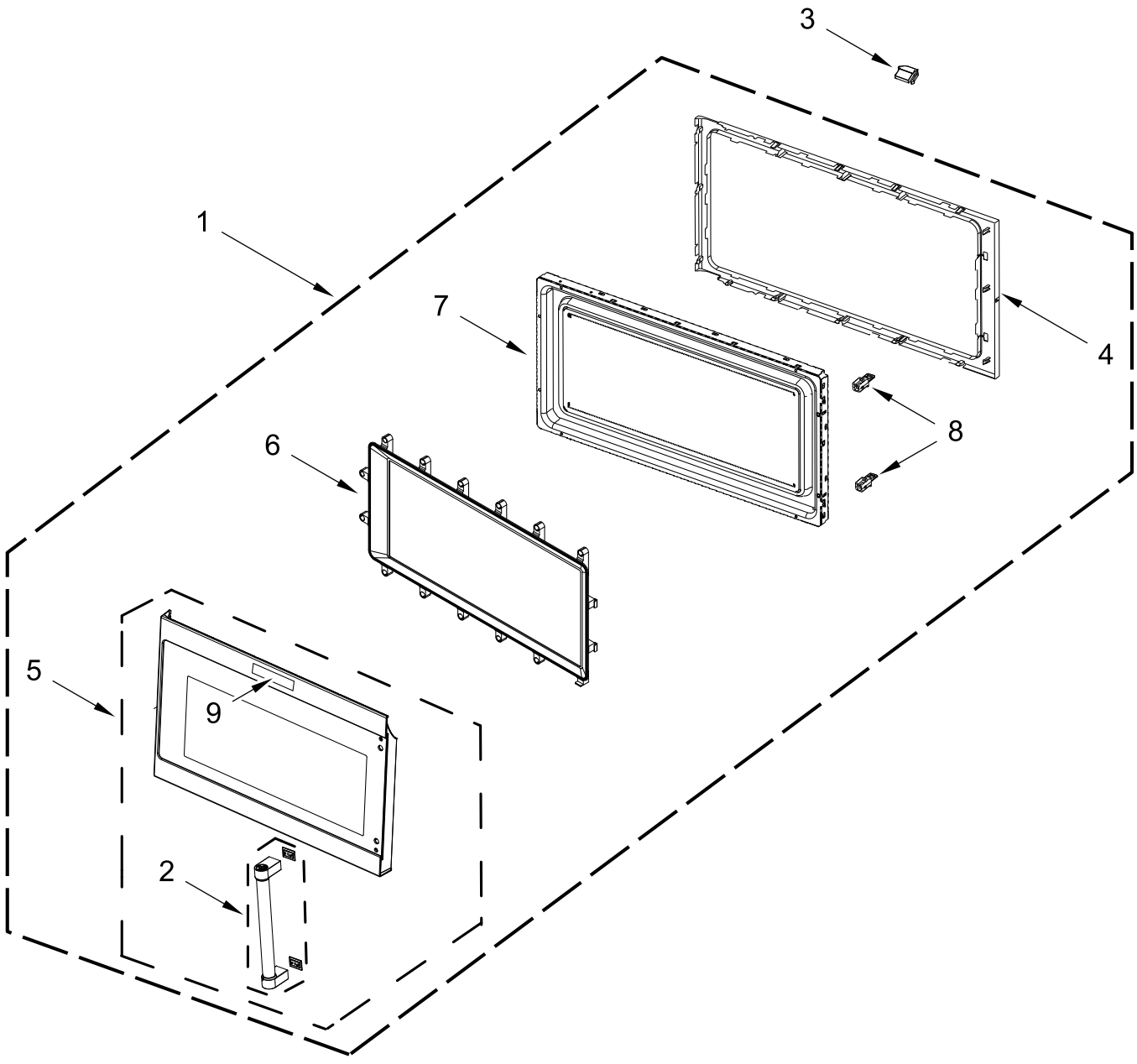
CONTROL PANEL PARTS



CONTROL PANEL PARTS

<u>Illus. No.</u>	<u>Part No.</u>	<u>Description</u>	<u>Illus. No.</u>	<u>Part No.</u>	<u>Description</u>
1		Literature Parts	2		Assembly, Control Panel
	W11401886	Installation Instructions		W11034406	White
	W10841420	Use and Care Guide		W10848076	Stainless
	W10644752	Quick Reference Guide	3	W10639186	Backer, Control Panel
	W11307970	Tech Sheet	4	W11496269	PCBA, Appliance Control Unit
			5	W11131399	PCBA, User Interface

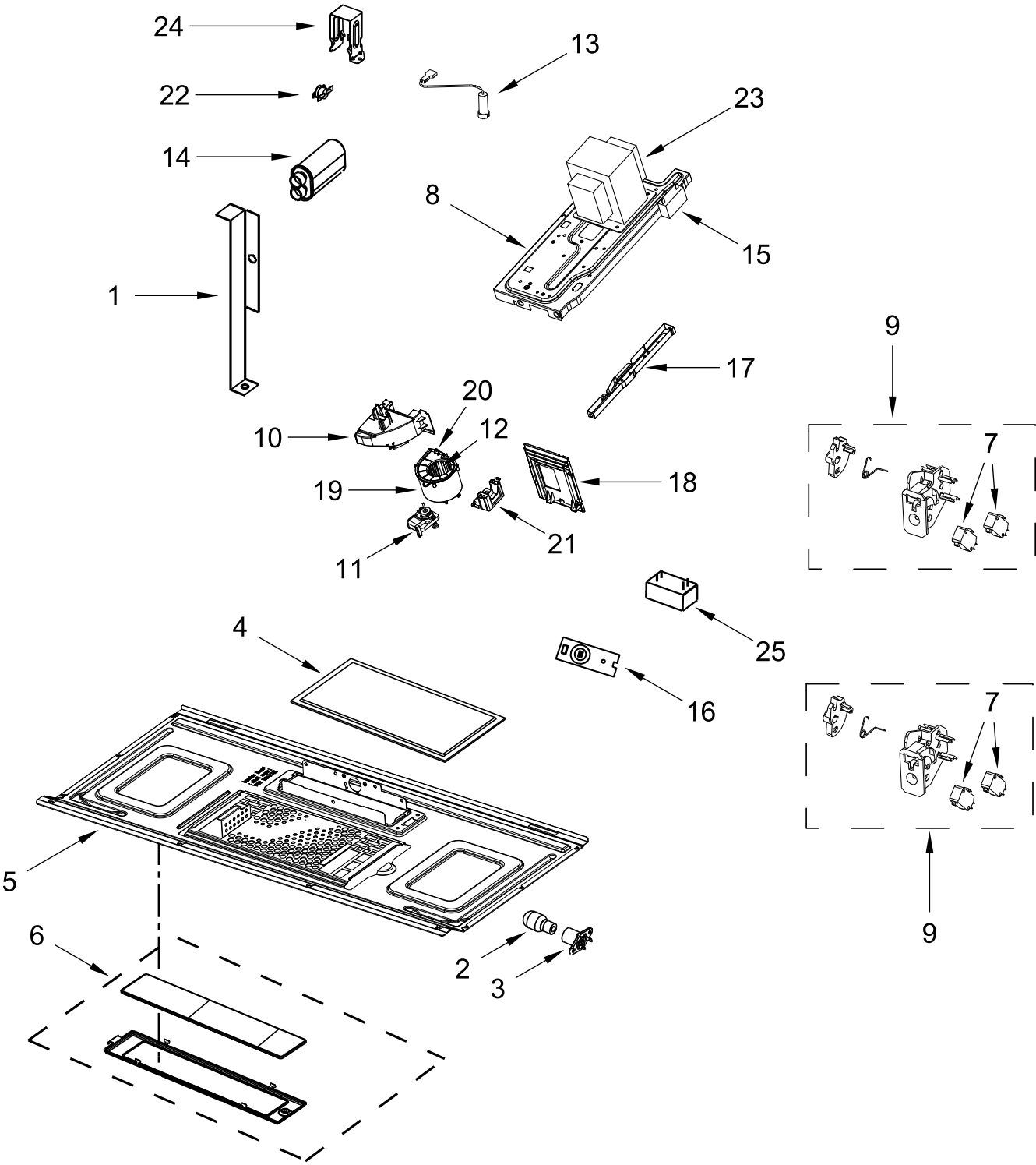
DOOR PARTS



DOOR PARTS

<u>Illus.</u> <u>No.</u>	<u>Part No.</u>	<u>Description</u>	<u>Illus.</u> <u>No.</u>	<u>Part No.</u>	<u>Description</u>	<u>Illus.</u> <u>No.</u>	<u>Part No.</u>	<u>Description</u>
1		Door, Complete	5		Assembly, Door Frame	8	W10740455	Hooks, Door
	W10893433	White		W10727606	White	9	W10754513	Nameplate
	W10893437	Stainless		W10727608	Stainless			
2	W11357517	Handle, Door	6		Plate, Steam Protection			
3		Stopper, Door		W10562560	White			
	W10643975	White		W10514243	Black			
	W10643974	Black	7		Foil, Door			
4		Frame, Inner		W10893418	White			
	W10647773	White		W10893422	Black			
	W10647772	Black						

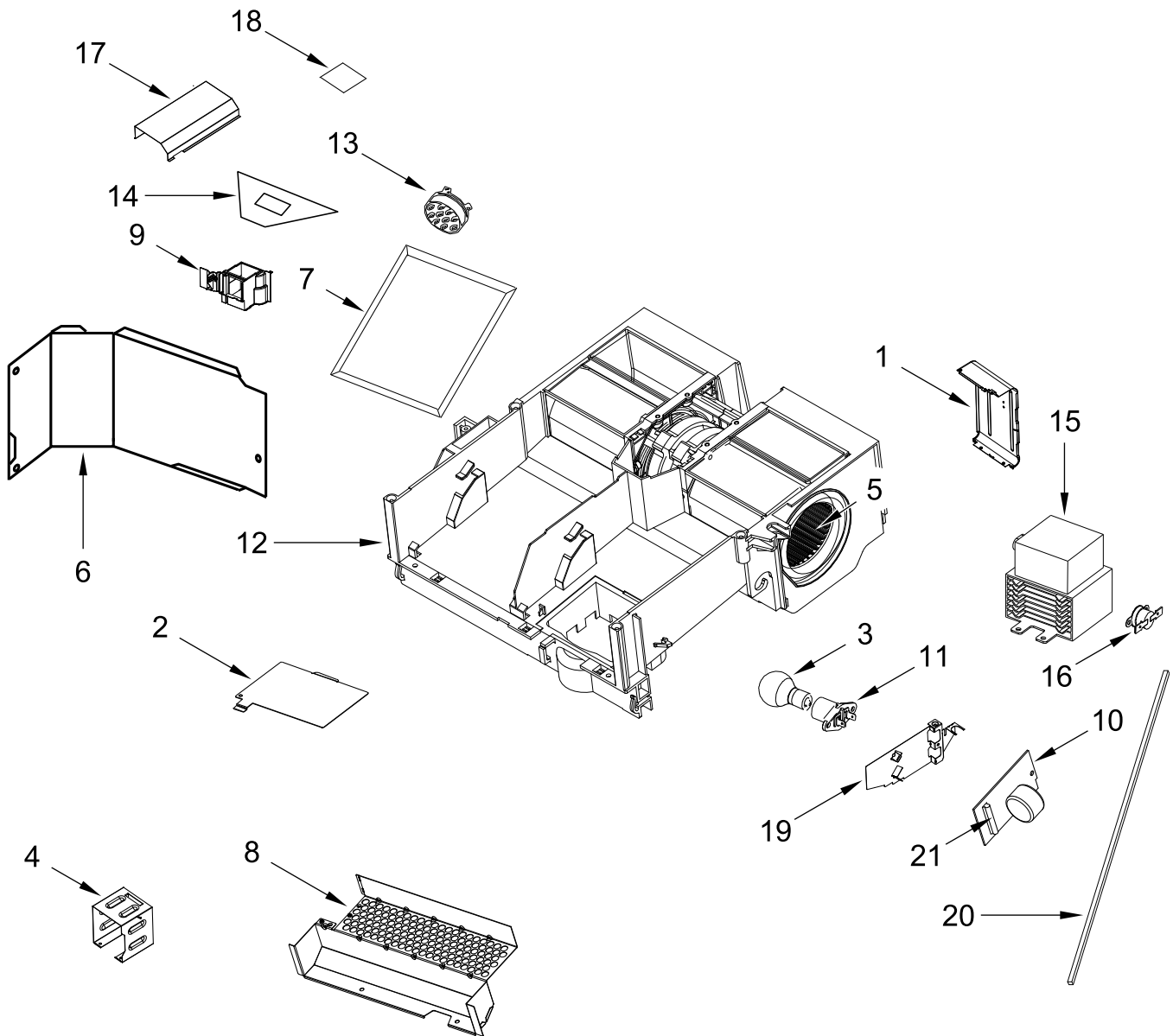
INTERIOR AND VENTILATION PARTS



INTERIOR AND VENTILATION PARTS

<u>Illus.</u> <u>No.</u>	<u>Part No.</u>	<u>Description</u>	<u>Illus.</u> <u>No.</u>	<u>Part No.</u>	<u>Description</u>	<u>Illus.</u> <u>No.</u>	<u>Part No.</u>	<u>Description</u>
1	W10540715	Bracket, Top Cavity	9	W11187757	Assembly, Interlock (Includes Switches)	17	W10540718	Bracket, Cavity
2	8206232	Lamp, 40 Watt				18	W11316476	Deflector, Air
3	W10210871	Holder, Lamp	10	W10631700	Air Guide, Magnetron	19	W10533501	Housing, Cooling Fan
4	W10208631	Filter, Grease	11	W11169357	Motor, Cooling Fan	20	W10533502	Cover, Cooling Fan
5	W10571127	Plate, Bottom	12	W10533503	Wheel, Cooling Fan	21	W10533480	Holder, NTC
6	W10240330	Assembly, Lamp Glass and Holder	13	W11222648	Diode, High Voltage	22	W10864742	Thermostat, Cavity 125/-35 Celcius
7		Switches, Interlock (Not Serviced, Order Interlock Assemblies)	14	W10343300	Capacitor, High Voltage	23	W11540981	Transformer, High Voltage
8	W11350925	Chassis, Component	15	W11405833	Capacitor, Hood Motor	24	W10633730	Bracket, Capacitor
			16	W10536989	Thermistor, PCBA	25	W11259892	Resistor, Cement

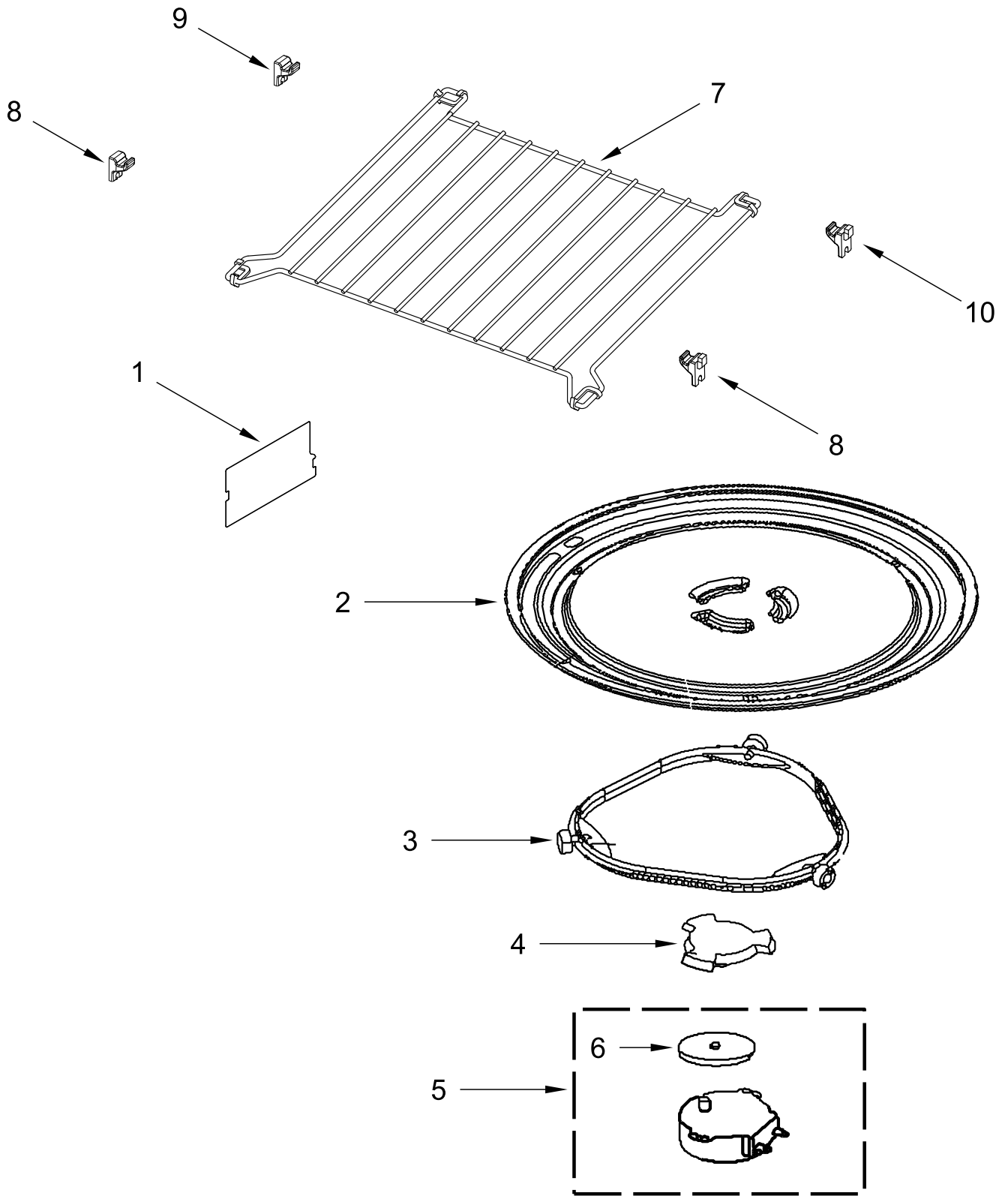
AIR FLOW PARTS



AIR FLOW PARTS

<u>Illus.</u> <u>No.</u>	<u>Part No.</u>	<u>Description</u>	<u>Illus.</u> <u>No.</u>	<u>Part No.</u>	<u>Description</u>	<u>Illus.</u> <u>No.</u>	<u>Part No.</u>	<u>Description</u>
1	W10631697	Deflector, Air	9	W10570208	Outlet, Cavity (Front)	17	W10533111	Outlet, Cavity (Back)
2	8206382	Cover, Lamp	10	W10531156	Board, Filter	18	W10531724	Glass, Lamp
3	W11331637	Lamp, Cavity (125V 30W)	11	W10210878	Socket, Cavity Lamp	19	W10533484	Cover, Duct (Right)
4	W10712444	Housing, Damper	12	W10533096	Baseplate, Air Guide	20	W10626457	Seal
5	W11409097	Motor, Fan (400 CFM)	13	W11381423	Sensor, Humidity	21	W10138793	Fuse
6	W10533116	Plate, Air Deflector	14	W10810142	Socket, Motor Wire			
7	8206230	Filter, Charcoal	15	W10754514	Magnetron			
8	W10715053	Shield, Finger	16	W10598693	Thermostat, Magnetron			

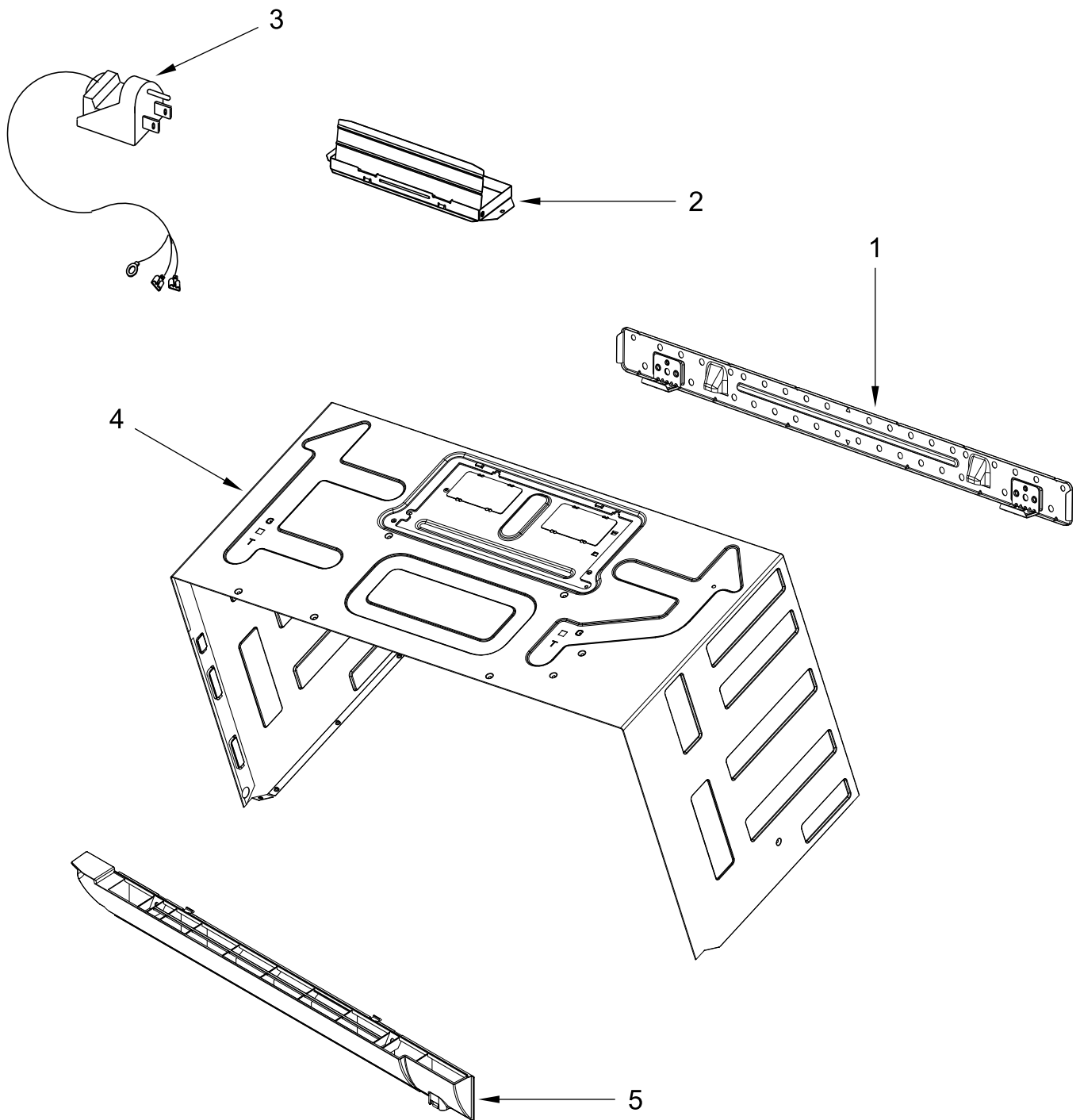
TURNTABLE PARTS



TURNTABLE PARTS

<u>Illus.</u> <u>No.</u>	<u>Part No.</u>	<u>Description</u>	<u>Illus.</u> <u>No.</u>	<u>Part No.</u>	<u>Description</u>	<u>Illus.</u> <u>No.</u>	<u>Part No.</u>	<u>Description</u>
1	W11193296	Cover, Waveguide	6	8184109	Seal, Waterproof	9	W10749119	Hook, Microwave (Left Rear)
2	W11358813	Turntable	7	W10637159	Rack, Microwave	10	W10749120	Hook, Microwave (Right Rear)
3	W11193601	Ring, Turntable	8	W10740485	Hook, Microwave (Left Front & Right Front)			
4	W11193599	Driver, Turntable						
5	W10642989	Motor, Turntable						

CABINET AND INSTALLATION PARTS



CABINET AND INSTALLATION PARTS

<u>Illus.</u> <u>No.</u>	<u>Part No.</u>	<u>Description</u>
1	W11025649	Plate, Mounting
2	W10748710	Damper
3	W11206558	Cord, Power
4		Case, Outer
	W11446920	White
	W11446919	Black
5		Grille, Vent
	W10701696	White
	W10701697	Black
		MISCELLANEOUS PARTS
	W10821385	Hardware, Installation
	W10190020	Template, Upper (English & Spanish)
	W10190018	Template, Upper (English & French)
	8169704	1/4-20x3" Panhead Screw
	W11469462	Harness, Main
	W10539840	Harness, PCBA Ground Wire
	W10833832	Cable, Humidity Sensor