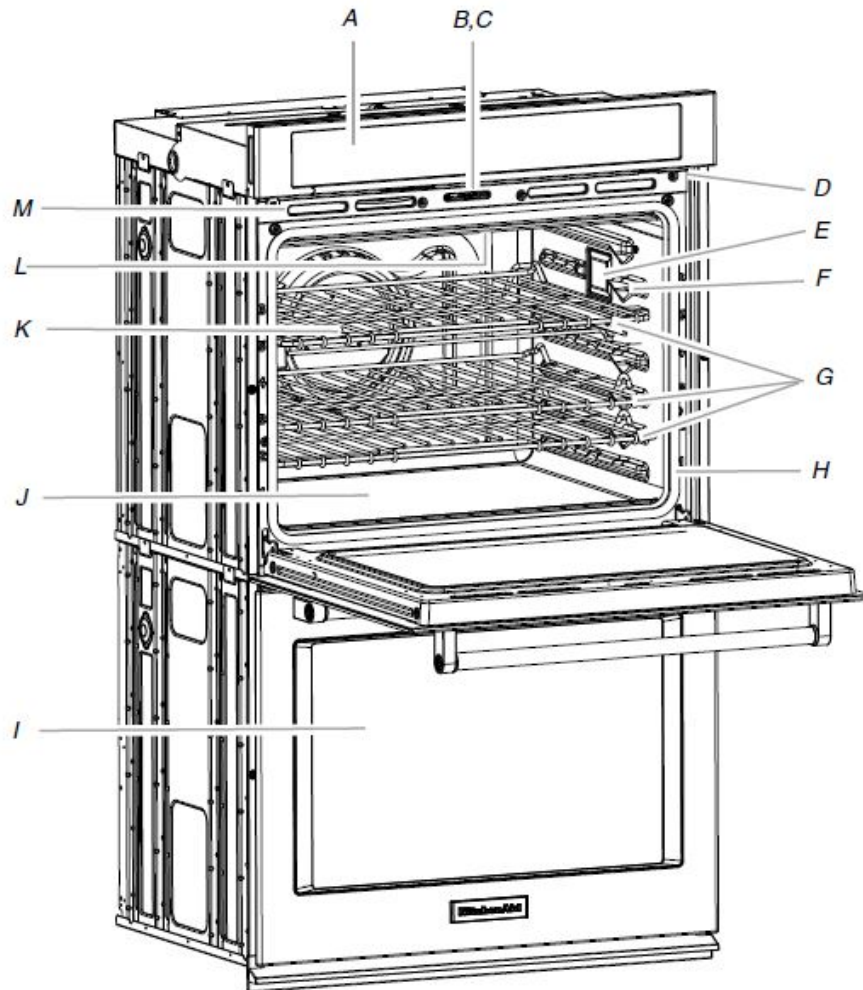


Built-In Electric Single and Double Oven Control Guide

PARTS AND FEATURES

WARNING: To reduce the risk of fire, electric shock, or injury to persons, read the IMPORTANT SAFETY INSTRUCTIONS, located in your appliance's Owner's Manual, before operating this appliance.

This manual covers different models. The oven you have purchased may have some or all of the items listed. The locations and appearances of the features shown here may not match those of your model.



- A. Electronic oven control
- B. Automatic oven light switch
- C. Oven door lock latch
- D. Model and serial number plate (on bottom edge of control panel, right hand side)
- E. Oven lights
- F. Temperature probe jack (oven with convection element and fan only)
- G. Oven racks (roll-out racks available on select models only)

- H. Gasket
- I. Lower oven (on double oven models)
- J. CleanBake™ bake element (hidden beneath floor panel)
- K. Convection element and fan (in back panel)
- L. Broil elements (not shown)
- M. Oven vent

Parts and Features not shown
Temperature probe

FEATURE GUIDE

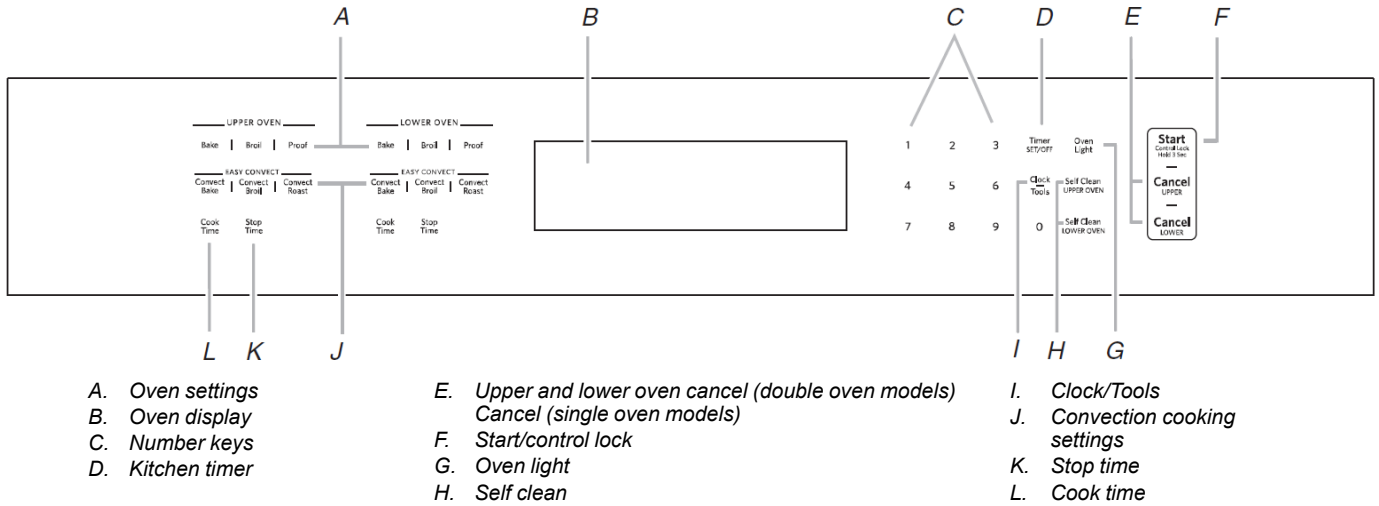
This manual covers several models. Your model may have some or all of the items listed. Refer to this manual or the Frequently Asked Questions (FAQs) section of our website at www.kitchenaid.com for more detailed instructions. In Canada, refer to the Service and Support section at www.kitchenaid.ca.

⚠ WARNING

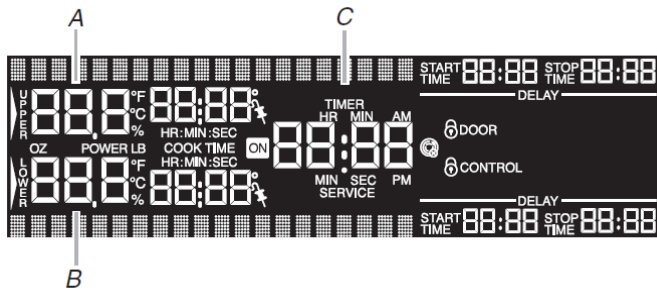
Food Poisoning Hazard

Do not let food sit for more than one hour before or after cooking.

Doing so can result in food poisoning or sickness.

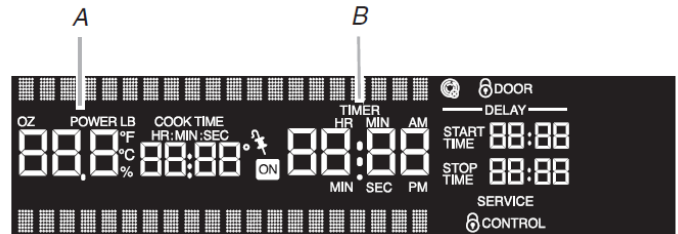


- A. Oven settings
- B. Oven display
- C. Number keys
- D. Kitchen timer
- E. Upper and lower oven cancel (double oven models)
Cancel (single oven models)
- F. Start/control lock
- G. Oven light
- H. Self clean
- I. Clock/Tools
- J. Convection cooking settings
- K. Stop time
- L. Cook time



Double Oven Display

- A. Upper oven cavity display
- B. Lower oven cavity display
- C. Time of day, timer display



Single Oven Display

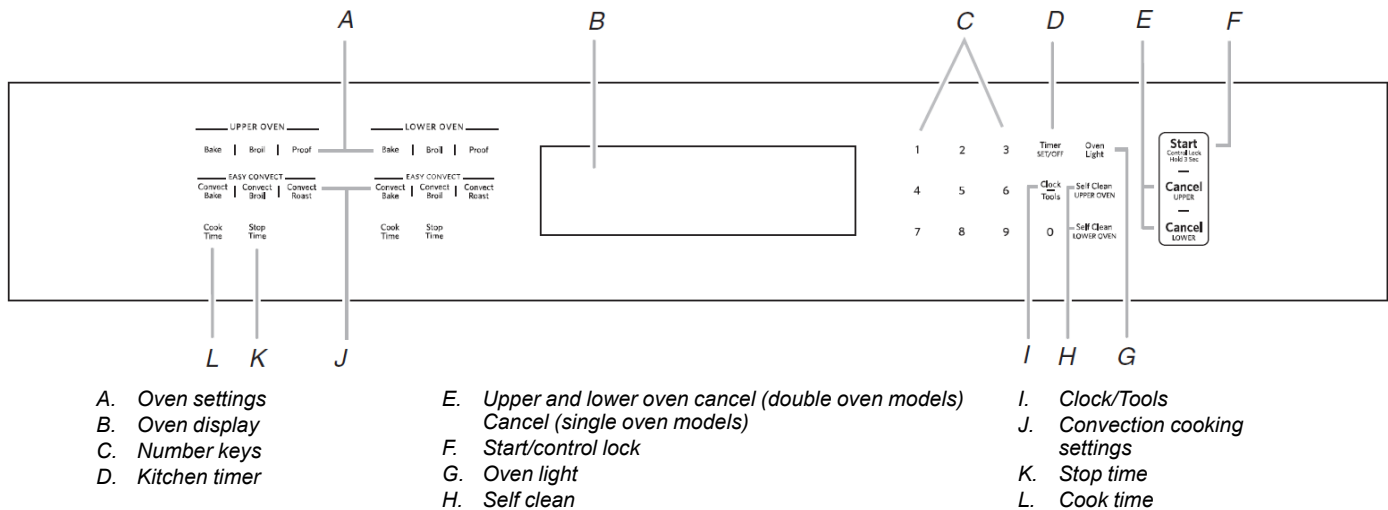
- A. Oven cavity display
- B. Time of day, timer display

KEYPAD	FEATURE	INSTRUCTIONS
CLOCK/TOOLS	Clock	The Clock uses a 12-hour cycle. See the “Electronic Oven Controls” section. <ol style="list-style-type: none"> 1. Touch CLOCK/TOOLS. 2. Touch the “1” key to select Clock. Then touch the number keys to set the time of day. 3. Touch START.
CLOCK/TOOLS	Settings	Enables you to personalize the audible tones and oven operation to suit your needs. See the “Electronic Oven Controls” section.
OVEN LIGHT	Oven cavity light	The oven light is controlled by a key on the oven control panel. While the oven door is closed, touch OVEN LIGHT to turn the light on and off. When the oven door is opened, the oven light will automatically come on.

KEYPAD	FEATURE	INSTRUCTIONS
TIMER (SET/OFF)	Oven timer	<p>The Timer can be set in hours or minutes up to 23 hours and 59 minutes.</p> <ol style="list-style-type: none"> 1. Touch TIMER SET/OFF. Touch TIMER SET/OFF again to switch between MIN/SEC, HR/MIN, and OFF. If no action is taken, the control will continue to wait for a length of time to be entered. 2. Touch the number keys to set the length of time. 3. Touch TIMER SET/OFF. If the key is not touched, the control will continue to wait for SET/START to be touched. When the set time ends, 4 chimes will continuously repeat until the Timer Set/Off key is touched. 4. Touch TIMER SET/OFF anytime to cancel the Kitchen Timer or stop the reminder tones. If CANCEL is touched, the respective oven will turn off. However, the kitchen timer can be turned off only by using TIMER SET/OFF.
START	Cooking start	<p>The Start key begins any oven function. If Start is not touched within 5 minutes after touching a key, the function is canceled and the time of day is displayed.</p>
CANCEL UPPER CANCEL LOWER	Range function	<p>The Cancel keys stop any function for the appropriate oven except the Clock and Timer.</p>
BAKE (Upper and Lower Oven)	Baking and roasting	<ol style="list-style-type: none"> 1. Touch Upper Oven or Lower Oven BAKE. Touch the number keys to enter a temperature other than 350°F (177°C). The bake range can be set between 145°F and 550°F (63°C and 288°C). 2. Touch START. “Lo” will appear on the oven display if the actual oven temperature is under 100°F (38°C), and “Preheating” will appear in the lower area of the display. When the actual oven temperature reaches 100°F (38°C), the oven display will begin displaying the temperature as it increases. When the set temperature is reached, if on, one tone will sound. 3. Touch CANCEL for the selected oven when finished cooking.
BROIL	Broiling	<p>Close the door.</p> <ol style="list-style-type: none"> 1. Touch Upper or Lower BROIL. Touch the number keys to enter a temperature other than 550°F (288°C). The broil range can be set between 450°F and 550°F (232°C and 288°C). 2. Touch START. A long chime will sound. The set oven temperature will appear on the oven display until the oven is turned off. 3. Touch CANCEL for the selected oven when finished cooking.
EASY CONVECT BAKE	Convect bake	<p>Before convection baking, position racks according to the “Rack And Bakeware Positions” section.</p> <ol style="list-style-type: none"> 1. Touch Upper or Lower CONVECT BAKE. 2. Touch the number keys to choose whether or not to convert the recipe. 3. If “1: Yes” has been selected, you will see a screen with “easy convect bake.” Then touch the number keys to enter a temperature. The convection bake range can be set between 170°F and 550°F (77°C and 288°C). The oven temperature will automatically be reduced by 25°F (14°C) for EasyConvect™ Bake, and the adjusted temperature will show on the display, but the cook time will not be adjusted. Then touch the number keys to enter a cook time. NOTE: If a temperature between 170°F and 194°F (77°C and 90°C) is entered, the display will show only 170°F (77°C) and not the reduced temperature. 4. If “2: No” has been selected, Convect Bake will continue without conversion. Touch the “1” number key to use Rapid Preheat or “2” to continue without Rapid Preheat. Then touch the number keys to enter a temperature. NOTE: Rapid Preheat Convect Bake should only be used for 1-rack baking. 5. Touch START. “Lo” will appear on the oven display if the actual oven temperature is under 100°F (38°C), and “Preheating” will appear in the lower area of the display. When the actual oven temperature reaches 100°F (38°C), the oven display will show the oven temperature increasing. When the set temperature is reached, if on, 1 chime will sound. 6. Touch CANCEL for the selected oven when finished cooking.

KEYPAD	FEATURE	INSTRUCTIONS
EASY CONVECT ROAST	Convect roast	<ol style="list-style-type: none"> 1. Touch Upper or Lower CONVECT ROAST. 2. Touch the number keys to choose whether or not to convert the recipe. 3. If "1: Yes" has been selected, you will see a screen with "easy convect roast." Touch the number keys to enter a temperature. The convection roast range can be set between 170°F and 550°F (77°C and 288°C). Touch the number keys to enter a cook time. The cook time will automatically be adjusted to 80% of the time entered, and the adjusted cook time will appear on the display, but temperature will not be adjusted. 4. If "2: No" has been selected, Convect Roast will continue without conversion. Touch the number keys to enter a temperature. 5. Touch START. A long chime will sound. The set oven temperature will appear on the oven display until the oven is turned off. 6. Touch CANCEL for the selected oven when finished cooking.
CONVECT MODE	Convect broil	<p>Close the door.</p> <ol style="list-style-type: none"> 1. Touch Upper or Lower CONVECT BROIL. Touch the number keys to enter a temperature other than 550°F (288°C). The convection broil range can be set between 450°F and 550°F (232°C and 288°C). 2. Touch START. The set oven temperature will appear on the oven display until oven is turned off. 3. Touch CANCEL for the selected oven when finished cooking.
PROOF	Proofing bread	<ol style="list-style-type: none"> 1. Touch Upper or Lower PROOF. Display will show 100°F (38°C). 2. Touch START. Let dough rise until nearly doubled in size, and then check at 20 to 25 minutes. Proofing time may vary depending on dough type and quantity. 3. Touch CANCEL for the selected oven when finished cooking. <p>Refer to the "Proofing Bread" section for more information.</p>
STOP TIME	Delayed start	<p>The Stop Time key is used to enter the starting time for an oven function with a delayed start.</p> <p>Stop Time should not be used for foods such as breads and cakes because they may not bake properly.</p> <p>To set Cook Time or Stop Time, see the "Timed Cooking" section.</p>
COOK TIME	Timed cooking	<p>Cook Time allows the oven to cook for a set length of time, and/or shut off automatically.</p> <p>To set Cook Time or Stop Time, see the "Timed Cooking" section.</p>

Electronic Oven Controls



Display

When power is first supplied to the oven, the timer display will flash “12:00”, and “Clock-Enter Time” will appear on the display. Enter the time by touching the number keys. Touch START to allow operation. To allow operation without setting a time, touch START or CANCEL.

Oven Display

When the oven(s) are in use, this display shows the oven temperature, heat source(s) and start time. On double oven models, this display will also show which oven is being set. The upper cavity symbol represents the upper oven; the lower cavity symbol represents the lower oven.

In addition, during Timed Cooking, this display shows a time countdown and the stop time (if entered).

Time of Day, Timer Display

When the oven(s) are not in use, this display shows the time of day or Timer countdown.

Start

The START key begins all oven functions except Sabbath Mode. If the Start key is not touched within 5 seconds after touching another key, “START?” will appear on the oven display as a reminder. If the Start key is not touched within 5 minutes after touching another key, the oven display will return to inactive mode and the programmed function will be canceled.

Lower Cancel, Upper Cancel and Cancel

The Lower Cancel, Upper Cancel and Cancel keys stop their respective oven functions except for the Clock, Kitchen Timer, and Control Lock. The oven cooling fan(s) may continue to operate even after an oven function has been canceled or completed, depending on the oven temperature.

Tones

Tones are audible signals, indicating the following:

One beep

- Valid key touch
- Function has been entered

One chime

- Preheat cycle has been completed

Three beeps

- Invalid key touch

Three chimes

- End of a cooking cycle

Four chimes

- When timer reaches zero
Includes using the Kitchen Timer for functions other than cooking.

Tone Volume

The volume is preset at low, but can be changed to high.

To Change: Touch TOOLS or CLOCK/TOOLS depending on you model, and then “4” to toggle volume between high and low settings.

All Tones

All tones are preset on, but can be turned off.

To Turn Off/On: Touch TOOLS or CLOCK/TOOLS depending on you model, and then “3” to toggle tones between on/off settings.

End-of-Cycle and Reminder Tones

The Timed Cooking end-of-cycle and reminder tones are preset on, but can be turned off. If all tones have been turned off, the end-of-cycle and reminder tones cannot be independently turned on.

To Turn Tones Off/On: Touch TOOLS or CLOCK/TOOLS depending on you model, and then “5” to turn On. Touch TOOLS, and then “5” to turn Off.

NOTE: Turning off this reminder tone does not turn off the Kitchen Timer tone.

Fahrenheit and Celsius

The temperature is preset in Fahrenheit; however it can be changed to Celsius.

To change: Touch TOOLS, and then “2” to toggle temperature between Fahrenheit and Celsius settings.

When the temperature is in Fahrenheit, “°F” follows the oven temperature.

When the temperature is in Celsius, “°C” follows the oven temperature.

Tools

The Tools selection key allows you access to 9 hidden functions within the Electronic Oven Control. These hidden functions allow you to set the clock, change the oven temperature between Fahrenheit and Celsius, turn the audible signals and prompts on and off, and adjust the oven calibration, change the language, and turn on the Demo Mode.

The Sabbath Mode is also set using the Tools selection key.

To Use: Touch CLOCK/TOOLS. The oven display will scroll through the various tools, starting at “1” and ending automatically at “9.” You can also touch the Tools key repeatedly to manually scroll through the list of tools.

TOOLS	HIDDEN FUNCTION
1	Clock
2	Fahrenheit and Celsius conversion
3	Sound On/Off
4	Sound High/Low
5	End tone On/Off
6	Calibration
7	Sabbath
8	Language
9	Demo Mode

Clock

This is a 12-hour clock. Before setting, make sure the oven(s), Kitchen Timer, and Timed Cooking are off.

To Set:

1. Touch CLOCK/TOOLS.
2. Touch the “1” key.
3. Select Clock, and then touch the number keys to set the time of day.
4. Touch CLOCK/TOOLS or START.

Timer/Kitchen Timer

The Timer/Kitchen Timer can be set in minutes and seconds or hours and minutes, and counts down the set time.

NOTE: The Timer/Kitchen Timer does not start or stop the oven.

Control Lock

The Control Lock shuts down the control panel keys to avoid unintended use of the oven(s). The Control Lock will remain set after a power failure, if set before the power failure occurs. When the control is locked, only the Start, Timer Set/Off and Oven Light keys will function.

The Control Lock is preset unlocked, but can be locked.

To Lock Control: Touch and hold START for approximately 3 seconds, until "Control Locked" appears on the lower text line and a lock icon appears in the display.

To Unlock Control: Repeat to unlock. "Control Unlocked" appears on the lower text line and the lock icon will be removed.

Oven Temperature Control

IMPORTANT: Do not use a thermometer to measure the oven temperature. Elements will cycle on and off as needed to maintain a consistent temperature but may run slightly hot or cool at any point in time due to this cycling. Opening the oven door will affect cycling of the elements and impact the temperature.

The oven provides accurate temperatures and has been thoroughly tested at the factory. However, it may cook faster or slower than your previous oven, causing baking or browning differences. If necessary, the temperature calibration can be adjusted in either Fahrenheit or Celsius.

On double ovens, the upper oven and the lower oven can each be calibrated independently.

A minus sign means the oven will be cooler by the displayed amount. The absence of a minus sign means the oven will be warmer by the displayed amount. Use the following chart as a guide.

NOTE: The oven display will continue to show the original set temperature and will not reflect the calibration offset. For example, if set to 350° (177°C) and calibrated to -20, the display will continue to show 350° (177°C).

ADJUSTMENT °F (AUTOMATIC °C CHANGE)	COOKS FOOD
10°F (6°C)	...a little more
20°F (12°C)	...moderately more
30°F (18°C)	...much more
0°F (0°C)	default setting
-10°F (-6°C)	...a little less
-20°F (-12°C)	...moderately less
-30°F (-18°C)	...much less

To Adjust Oven Temperature Calibration:

1. Touch TOOLS, and then "6" to set the calibration.
2. Touch the "1" key to select the upper oven or the "2" key to select the lower oven.
Each oven calibration can be independently set.
3. Touch "3" to increase and "6" to decrease the temperature.
4. Touch START to end calibration.

Sabbath Mode

The Sabbath Mode sets the oven(s) to remain on in a bake setting until turned off. A timed Sabbath Mode can also be set to keep the oven on for only part of the Sabbath.

When the Sabbath Mode is set, the allowed keys are: the number keys, Start, Tools (to disable only), and Cancel. The display will scroll information on selecting the desired oven temperature.

When the Sabbath Mode is set, the upper oven is disabled and no function is allowed. When the oven door is opened or closed, the oven light will not turn on or off, and the heating elements will not turn on or off immediately.

If a power failure occurs when the Sabbath Mode is set, the oven (s) will remain in Sabbath Mode but will no longer be actively cooking. The "ON" indicator will no longer be lit. Touch Upper or Lower CANCEL to return to normal operating mode (non-Sabbath Mode, not cooking).

To Enable:

Before the Sabbath Mode can be regularly set, the oven(s) must first be enabled with a one time only setup. On double oven models, the following step will enable both ovens.

1. Touch CLOCK/TOOLS, and then touch number key "7."
"SABBATH MODE ON" will appear on the oven display for approximately 5 seconds.

To Disable:

The oven(s) can be disabled of the ability to set the Sabbath Mode by repeating the previous steps. See the "To Enable" section. When the oven(s) is disabled, "SABBATH MODE OFF" will appear on the display and remain on for approximately 5 seconds.

The Sabbath Mode cannot be regularly set until re-enabled.

On double oven models, these steps will disable both ovens.

To Regularly Set, Untimed to Activate:

Sabbath Mode must be enabled before starting the Bake cycle. See the "To Enable" section.

1. Touch Upper or Lower BAKE.
Touch the number keys to enter a temperature other than 350°F (177°C). The bake range can be set between 145°F and 550°F (63°C and 288°C).
2. Touch START.
3. Touch CLOCK/TOOLS and then number key "7." "SABBATH MODE" will appear on the oven display.

To Regularly Set, Timed:

Sabbath Mode must be enabled before starting the Bake cycle. See the "To enable" section.

1. Touch Upper or Lower BAKE.
Touch the number keys to enter a temperature other than 350°F (177°C). The bake range can be set between 145°F and 550°F (63°C and 288°C).
2. Touch COOK TIME.
3. Touch the number keys to enter the length of Sabbath Mode time, up to 11 hours 59 minutes.
4. Touch START. The oven will begin a timed bake cycle.
5. Touch CLOCK/TOOLS, and then touch number key "7."
"SABBATH MODE" will appear on the oven display. The start time and stop time will appear on the lower oven display.
6. When the stop time is reached, the oven will automatically turn off. The oven control will remain in Sabbath Mode until the Cancel button is touched.

Temperature Change

The oven temperature can be changed when the oven(s) are in the Sabbath Mode. No tones will sound, and the display will not change. The heating elements will not turn on or off for a random time, anywhere from 16 to 24 seconds. It may take up to one-half hour for the oven to change temperature.

Number keys "1" through "0" represent temperatures. Use the following chart as a guide.

NUMBER KEY	OVEN TEMPERATURE
1	170°F (76°C)
2	200°F (93°C)
3	225°F (107°C)
4	250°F (121°C)
5	300°F (148°C)
6	325°F (162°C)
7	350°F (176°C)

NUMBER KEY	OVEN TEMPERATURE
8	375°F (190°C)
9	400°F (204°C)
0	450°F (232°C)

To Change Temperature:

Initially, on double ovens, the cavities can be set for independent temperatures. However, once Sabbath Mode is running, if the temperature is changed, both cavities will use the new temperature.

1. Touch the number key from the chart.
2. Touch START.

OVEN USE

Odors and smoke are normal when the oven is used the first few times, or when it is heavily soiled.

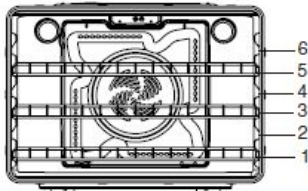
During oven use, the heating elements will not remain on, but will cycle on and off throughout oven operation.

IMPORTANT: The health of some birds is extremely sensitive to the fumes given off. Exposure to the fumes may result in death to certain birds. Always move birds to another closed and well ventilated room.

Rack And Bakeware Positions

Use the following illustration and charts as guides.

Rack Positions - Upper And Lower Oven



Broiling

Food	Rack Position
Most broiling	6

Traditional Cooking

Food	Rack Position
Large roasts, turkeys, angel food, bundt cakes, quick breads, pies	1 or 2
Yeast breads, casseroles, meat and poultry	2
Cookies, biscuits, muffins, cakes	2 or 3 when single-rack baking; 2 and 5 when multi-rack baking

Convection Cooking (For Convection Models Only)

Oven Setting	Number of Racks Used	Rack Position
Rapid Preheat Bake	1	3
Rapid Preheat Convection Bake	1	3
Convection Bake	1	1, 2 or 3
Convection Bake	2	2 and 5
Convection Bake	3	1, 3 and 5
Convection Roast	1	1 or 2
Convection Broil	1	4, 5 or 6

Bakeware

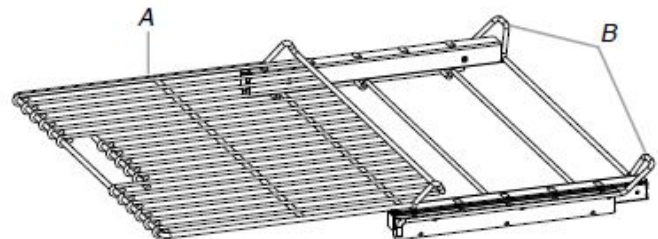
To cook food evenly, hot air must be able to circulate. For best results, allow 2" (5 cm) of space around bakeware and oven walls. Use the following chart as a guide.

Number of Pan(s)	Position on Rack
1	Center of rack.
2	Side by side or slightly staggered.
3 or 4	See the rack position graphic in this section for pan placement recommendations.

SatinGlide™ Roll-Out Extension Rack

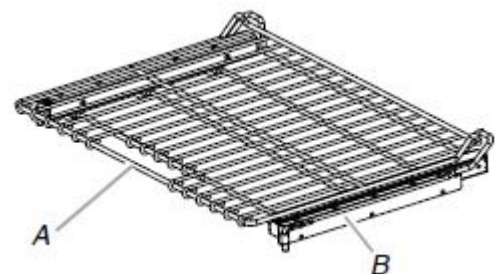
The SatinGlide™ roll-out extension rack allows easy access to position and remove food in the oven. It can be used in rack positions 1 through 6.

Open Position



A. SatinGlide™ roll-out extension rack
B. Sliding shelf

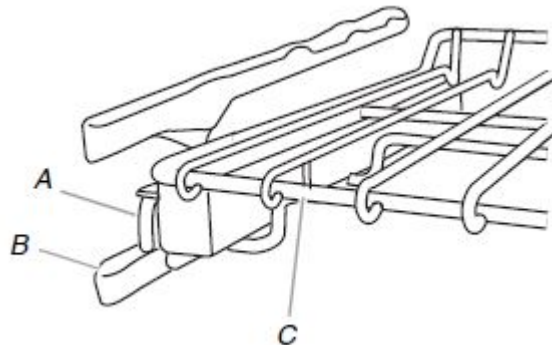
Closed and Engaged Position



A. SatinGlide™ roll-out extension rack
B. Sliding shelf

To Remove SatinGlide™ Roll-Out Extension Rack:

1. Slide the rack in completely so that it is closed and engaged with the sliding shelf.
2. Using 2 hands, lift up on the front edge of the rack and push the sliding shelf to the back wall of the oven so that the front edge of the sliding shelf sits on the rack guides. The front edge of the rack and the sliding shelf should be higher than the back edge.



- A. Sliding shelf
 B. Rack guide
 C. SatinGlide™ roll-out extension rack

3. Pull the rack and the sliding shelf out.

To Replace SatinGlide™ Roll-Out Extension Rack:

1. Using 2 hands, grasp the front of the closed rack and the sliding shelf. Place the closed rack and the sliding shelf on the rack guide.
2. Using 2 hands, lift up on the front edge of the rack and the sliding shelf together.
3. Slowly push the rack and the sliding shelf to the back of the oven until the back edge of the rack pulls over the end of the rack guide.

To avoid damage to the sliding shelves, do not place more than 25 lbs (11.4 kg) on the rack or 35 lbs (15.9 kg) on the roll-out rack for powered attachments (on some models).

Do not clean the SatinGlide™ roll-out extension rack in a dishwasher. It may remove the rack's lubricant and affect its ability to slide.

See the "General Cleaning" section in the Owner's Manual for more information.

Bakeware

The bakeware material affects cooking results. Follow manufacturer's recommendations and use the bakeware size recommended in the recipe. Use the following chart as a guide.

BAKEWARE/ RESULTS	RECOMMENDATIONS
Light colored aluminum <ul style="list-style-type: none"> ■ Light golden crusts ■ Even browning 	<ul style="list-style-type: none"> ■ Use temperature and time recommended in recipe.
Dark aluminum and other bakeware with dark, dull and/or nonstick finish <ul style="list-style-type: none"> ■ Brown, crisp crusts 	<ul style="list-style-type: none"> ■ May need to reduce baking temperatures slightly. ■ Use suggested baking time. ■ For pies, breads and casseroles, use temperature recommended in recipe. ■ Place rack in center of oven.

BAKEWARE/ RESULTS	RECOMMENDATIONS
Insulated cookie sheets or baking pans <ul style="list-style-type: none"> ■ Little or no bottom browning 	<ul style="list-style-type: none"> ■ Follow rack recommendations in the "Position Racks and Bakeware" section. ■ May need to increase baking time.
Stainless steel <ul style="list-style-type: none"> ■ Light, golden crusts ■ Uneven browning 	<ul style="list-style-type: none"> ■ May need to increase baking time.
Stoneware/Baking stone <ul style="list-style-type: none"> ■ Crisp crusts 	<ul style="list-style-type: none"> ■ Follow manufacturer's instructions.
Ovenproof glassware, ceramic glass or ceramic <ul style="list-style-type: none"> ■ Brown, crisp crusts 	<ul style="list-style-type: none"> ■ May need to reduce baking temperatures slightly.

Meat Thermometer

Not all models have a temperature probe. On models without a temperature probe, use a meat thermometer to determine whether meat, poultry and fish are cooked to the desired degree of doneness. The internal temperature, not appearance, should be used to determine doneness.

Preheating and Oven Temperature

Preheating

When beginning a Bake or Convection Bake cycle or Convection Roast cycle the oven begins preheating after Start is touched. The oven will take approximately 12 to 17 minutes to reach 350°F (177°C) with all of the oven racks provided with your oven inside the oven cavity. Higher temperatures will take longer to preheat. The preheat cycle rapidly increases the oven temperature. The actual oven temperature will go above your set temperature to offset the heat lost when your oven door is opened to insert food. This ensures that when you place your food in the oven, the oven will begin at the proper temperature. Insert your food when the preheat tone sounds. Do not open the door during preheat until the tone sounds.

Oven Temperature

While in use, the oven elements will cycle on and off as needed to maintain a consistent temperature. They may run slightly hot or cool at any point in time due to this cycling. Opening the oven door while in use will release the hot air and cool the oven which could impact the cooking time and performance. It is recommended to use the oven light to monitor cooking progress.

Baking and Roasting

IMPORTANT: The convection fan and convection element may operate during the Bake function to enhance performance and heat distribution.

The oven will take approximately 12 to 17 minutes to reach 350°F (177°C) with all oven racks inside the oven cavity. The preheat cycle rapidly increases the temperature inside the oven cavity. Higher temperatures will take longer to preheat. Factors that impact preheat times include room temperature, oven temperature, and the number of racks. Unused oven racks can be removed prior to preheating your oven to help reduce preheat time. The actual oven temperature will go above the set temperature to offset the heat lost when the oven door is opened to insert food. This ensures that the oven will begin at the proper temperature when you place food in the oven. Insert food when the preheat tone sounds. Do not open the door during preheat until the tone sounds.

During baking or roasting, the bake and broil elements will cycle on and off in intervals to maintain the oven temperature.

Depending on the model, if the oven door is opened during baking or roasting, the heating elements (bake and broil) will turn off approximately 30 seconds after the door is opened. They will turn on again approximately 30 seconds after the door is closed.

Broiling

Broiling uses direct radiant heat to cook food.

The element cycles on and off in intervals to maintain the oven temperature.

IMPORTANT: Close the door to ensure proper broiling temperature.

If the oven door is opened during broiling, the broil element will turn off in approximately 30 seconds. When the oven door is closed, the element will come back on approximately 30 seconds later.

- For best results, use a broiler pan and grid. It is designed to drain juices and help avoid spatter and smoke.
If you would like to purchase a Broiler Pan Kit, it may be ordered. See the Quick Start Guide for contact information.
- For proper draining, do not cover the grid with foil. The bottom of the broiler pan may be lined with aluminum foil for easier cleaning.
- Trim excess fat to reduce spattering. Slit the remaining fat on the edges to avoid curling.
- Pull out oven rack to stop position before turning or removing food. Use tongs to turn food to avoid the loss of juices. Very thin cuts of fish, poultry or meat may not need to be turned.
- After broiling, remove the pan from the oven when removing the food. Drippings will bake on the pan if left in the heated oven, making cleaning more difficult.

Convection

In a convection oven, the fan-circulated hot air distributes heat more evenly. This movement of hot air helps maintain a consistent temperature throughout the oven, cooking foods more evenly, while sealing in moisture.

Most foods, using convection baking mode, can be cooked by lowering cooking temperatures 25°F (14°C). The cooking time, can be shortened significantly when using Convection Roast, especially for large turkeys and roasts.

- It is important not to cover foods with lids or aluminum foil so that surface areas remain exposed to the circulating air, allowing browning and crisping.
- Keep heat loss to a minimum by opening the oven door only when necessary. It is recommended to use the oven light to monitor progress.
- Choose cookie sheets without sides and roasting pans with lower sides to allow air to move freely around the food.
- Test baked goods for doneness a few minutes before the minimum cooking time using a method such as a toothpick.
- Use a meat thermometer or the temperature probe to determine the doneness of meats and poultry. Check the temperature of pork and poultry in 2 or 3 places.

Convection Bake (on some models)

The convection element is hidden in the rear panel of the oven cavity, and assisted by the convection fan, provides balanced, efficient heating.

Convection baking can be used for baking delicate cakes and pastries, as well as foods on multiple racks. It is helpful to stagger items on the racks to allow a more even flow of heat. If the oven is full, extra cooking time may be needed.

When cooking an oven meal with several different types of foods, be sure to select recipes that require similar temperatures. Cookware should sit in the oven with at least 2" (5 cm) of space between the cookware and the sides of the oven.

During convection baking preheat, the convection element, broil element and the CleanBake™ element all heat the oven cavity. After preheat, the convection element, broil element and the CleanBake™ element will cycle on and off in intervals to maintain oven temperature, while the fan circulates the hot air.

If the oven door is opened during convection baking, the fan turns off immediately when the door is opened and turns on immediately when the door is closed. Convection, Bake and Broil elements will turn off approximately 30 seconds after the door is opened. They will turn on again approximately 30 seconds after the door is closed.

NOTE: it is normal for the convection fan to run during non-convection cycles as well as during preheat.

- Reduce recipe temperature 25°F (14°C). The cook time may need to be reduced also.

To Convection Bake:

Before convection baking, position racks according to the "Rack and Bakeware Positions" section.

Convection Roast (on some models)

Convection roasting can be used for roasting meats and poultry. During convection roasting, the broil, convection, and CleanBake™ elements (on some models) will cycle on and off in intervals to maintain oven temperature, while the fan circulates the hot air.

If the oven door is opened during convection roasting, the fan turns off immediately when the door is opened and turns on immediately when the door is closed. Bake, broil, and convection elements will turn off approximately 30 seconds after the door is opened. They will turn on again approximately 30 seconds after the door is closed.

NOTE: it is normal for the convection fan to run during non-convection cycles as well as during preheat.

To Convection Roast

Before convection roasting, position racks according to the "Rack and Bakeware Positions" section. It is not necessary to wait for the oven to preheat before putting food in, unless recommended in the recipe.

Convection Broil (on some models)

During convection broiling, the broil element will cycle on and off in intervals to maintain oven temperature, while the fan circulates the hot air.

The temperature is preset at 550°F (288°C), but can be changed to a different temperature. Cooking times will vary depending on the rack position and temperature and may need to be adjusted.

If the oven door is opened during convection broiling, fan turns off immediately when the door is opened and turns on again immediately when the door is closed. Broil elements will turn off approximately 30 seconds after the door is opened. They will turn on again approximately 30 seconds after the door is closed.

NOTE: It is normal for the convection fan to run during non-convection cycles as well as during preheat.

To Convection Broil:

Allow the oven to preheat for 5 minutes. Position food on the unheated grid on the broiler pan, and then place it in the center of the oven rack with the longest side parallel to the door.

Proofing Bread

Proofing bread prepares dough for baking by activating the yeast. Proofing twice is recommended unless the recipe directs otherwise.

To Proof

Before first proofing, place dough in a lightly greased bowl and cover loosely with waxed paper or plastic wrap coated with shortening. Place on rack guide 2. See “Rack and Bakeware Positions” for diagram. Close door.

1. Touch Upper or Lower PROOF. Display will show 100°F (38°C).
2. Touch START.
Let dough rise until nearly doubled in size, and then check at 20 to 25 minutes. Proofing time may vary depending on dough type and quantity.
3. Touch CANCEL for the selected oven when finished proofing.

Before second proofing, shape dough, place in baking pan(s) and cover loosely. Follow same placement, and control steps above. Before baking, remove waxed paper or plastic wrap.

Temperature Probe (single, upper, and on some models, lower oven)

The temperature probe accurately measures the internal temperature of meat, poultry and casseroles with liquid and should be used in determining the doneness of meat and poultry. The temperature probe should only be used with Bake, Convect Bake or Convect Roast.

Always unplug and remove the temperature probe from the oven when removing food.

To Use

Before using, insert the probe into the food item. (For meats, the probe tip should be located in the center of the thickest part of the meat and not into the fat or touching a bone). Place food in oven and connect the temperature probe to the jack. Keep probe as far away from heat source as possible. Close oven door.

NOTE: The temperature probe must be inserted into the food item before the mode is selected.

1. Touch the number keys to enter a probe temperature. The probe temperature is the desired internal temperature of the food when it is done. The temperature can be set between 110°F and 200°F (43°C and 93°C).
2. Touch Upper or Lower BAKE, CONVECT BAKE or CONVECT ROAST.
3. Touch START.

The set oven temperature will appear on the oven display throughout cooking.

“Lo°” will appear as the probe temperature until the internal temperature of the food reaches 45°F (7°C). Then the display will show the temperature increasing.

When the set probe temperature is reached, the oven will shut off automatically and “Cooking Complete” will appear on the oven display.

4. Touch CANCEL for the selected oven, or open the oven door to clear the display and/or stop reminder tones.
5. Always unplug and remove the temperature probe from the oven when removing food. The probe symbol will remain lit in the display until the probe is unplugged.

To Change Probe Temperature During a Cooking Cycle

1. Touch a probe enabled cooking mode (Bake, Convect Bake, or Convect Roast).
2. Follow steps 1 through 5 in the “To Use” section.

Timed Cooking

Timed Cooking allows the oven(s) to be set to turn on at a certain time of day, cook for a set length of time, and/or shut off automatically. Delay start should not be used for food such as breads and cakes because they may not bake properly.

To Set a Cook Time

1. Select a cooking function.
Touch the number keys to enter a temperature other than the one displayed.
Timed Cooking may also be used with the Bread Proof function, but the temperature is not adjustable.
2. Touch COOK TIME.
3. Touch number keys to enter the length of time to cook.
4. Touch START.
The minute time countdown will appear on the oven display. The start time and stop time are not displayed until the oven is finished preheating.
When the stop time is reached, the oven will shut off automatically, and “cooking complete” will appear on the oven display.
If enabled, end-of-cycle tones will sound, then reminder tones will sound every minute.
5. Touch CANCEL for the selected oven, or open and close the oven door to clear the display and/or stop reminder tones.

To Set a Cook Time and Stop Time

Before setting, make sure the clock is set to the correct time of day. See “Clock” section.

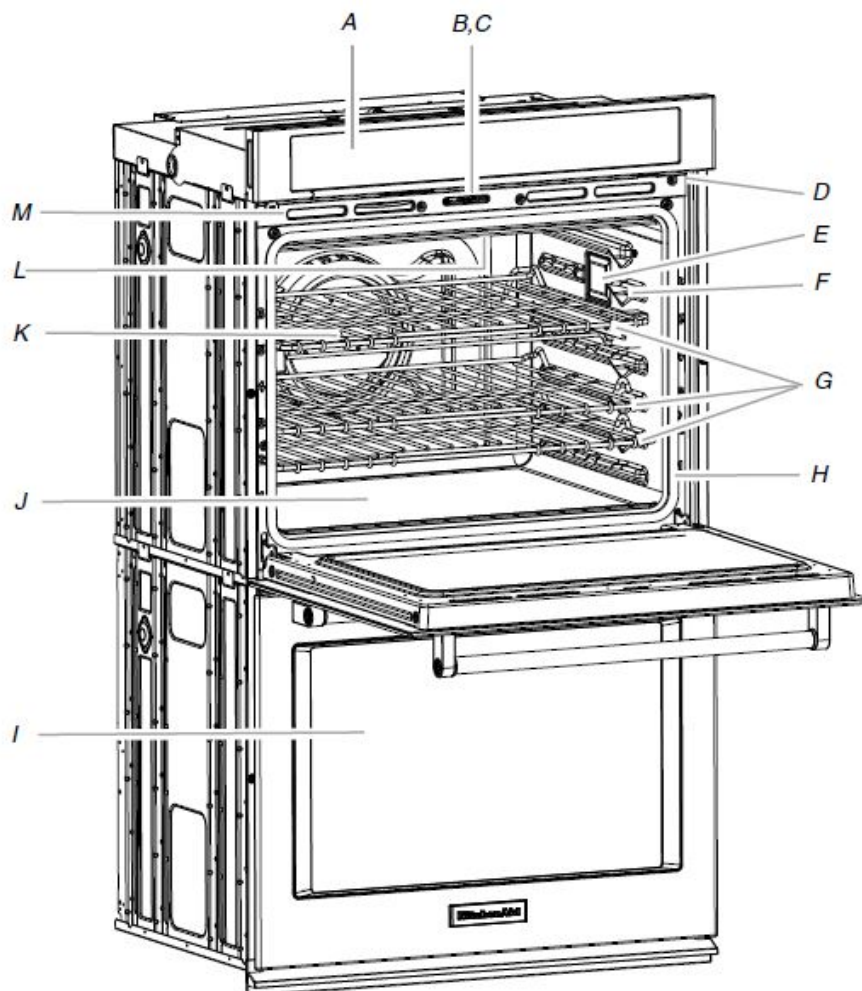
1. Select a cooking function.
Touch the number keys to enter a temperature other than the one displayed.
Timed Cooking may also be used with the Bread Proof function, but the temperature is not adjustable.
2. Touch COOK TIME.
3. Touch number keys to enter the length of time to cook.
4. Touch STOP TIME.
5. Touch the number keys to enter time of day to stop.
6. Touch START.
The start time is automatically calculated and displayed. “DELAY” and the stop time will also appear on the oven display.
When the start time is reached, the oven will automatically turn on. The minute time countdown will appear on the oven display.
When the stop time is reached, the oven will shut off automatically, and “cooking complete” will appear on the oven display.
If enabled, end-of-cycle tones will sound, then reminder tones will sound every minute.
7. Touch CANCEL for the selected oven, or open and close the oven door to clear the display and/or stop reminder tones.

Guide des commandes du fours électriques simples et doubles encastré

PIÈCES ET CARACTÉRISTIQUES

AVERTISSEMENT : Pour réduire le risque d'incendie, de décharge électrique ou de blessures, lire les INSTRUCTIONS IMPORTANTES DE SÉCURITÉ du guide d'utilisation de votre appareil avant de faire fonctionner cet appareil.

Ce manuel couvre différents modèles. Le four que vous avez acheté peut comporter certains de ces éléments. L'emplacement et l'apparence des caractéristiques illustrées peuvent ne pas correspondre à ceux de votre modèle.



- A. Commandes électroniques du four
- B. Interrupteur automatique de la lampe du four
- C. Loquet de verrouillage du four
- D. Plaque signalétique des numéros de modèle et de série (située sur le bord inférieur droit du tableau de commande)
- E. Lampe du four
- F. Prise de la sonde de cuisson (four avec élément de convection et ventilateur uniquement)
- G. Grilles du four (grilles déployantes disponibles sur certains modèles uniquement)

- H. Joint d'étanchéité
- I. Four inférieur (sur les modèles à double four)
- J. Élément de cuisson au four CleanBake™ (dissimulé sous le plancher du four)
- K. Élément et ventilateur à convection (derrière le panneau arrière)
- L. Éléments de cuisson au grill (non illustrés)
- M. Évent du four

Pièces et caractéristiques non illustrées
Sonde de cuisson

GUIDE DES CARACTÉRISTIQUES

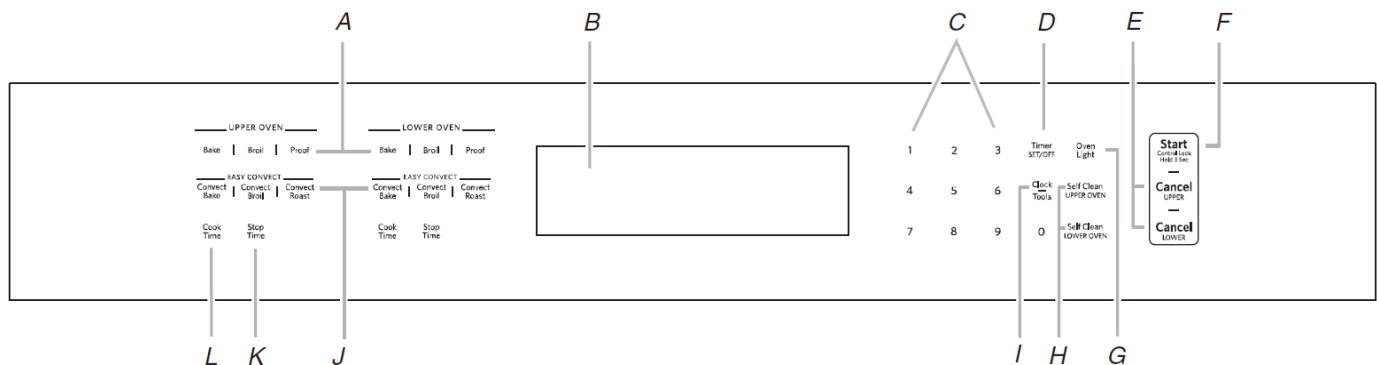
Ce manuel concerne plusieurs modèles. Le modèle que vous avez peut comporter toutes les caractéristiques énumérées ou seulement certaines d'entre elles. Se reporter à ce manuel ou à la section Foire aux questions (FAQ) de notre site Web au www.kitchenaid.com pour des instructions plus détaillées. Au Canada, consulter la section Service et soutien technique au www.kitchenaid.ca.

⚠ AVERTISSEMENT

Risque d'empoisonnement alimentaire

Ne pas laisser des aliments reposer plus d'une heure avant ou après la cuisson.

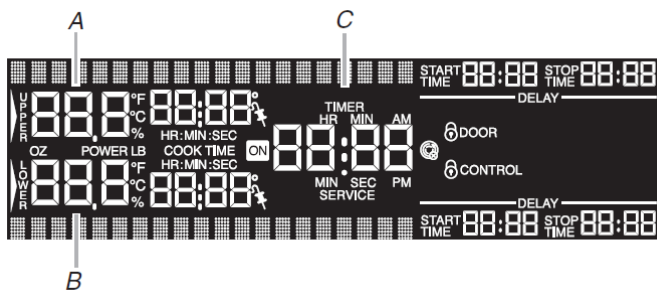
Le non-respect de cette instruction peut causer un empoisonnement alimentaire ou une maladie.



- A. Réglages du four
- B. Affichage du four
- C. Touches numériques
- D. Minuterie de cuisine

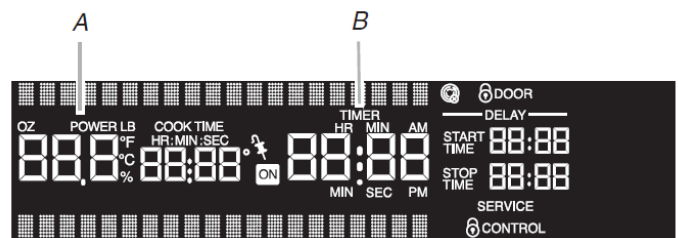
- E. Annulation du four supérieur et inférieur (modèles à double four) Annulation (modèles à four simple)
- F. Mise en marche/verrouillage des commandes
- G. Lampe du four
- H. autonettoyage

- I. Horloge/outils
- J. Réglages de cuisson par convection
- K. Heure d'arrêt
- L. Durée de cuisson



Affichage de four double

- A. Affichage de la cavité du four supérieur
- B. Affichage de la cavité du four inférieur
- C. Afficheur de l'heure/minuterie



Affichage de four simple

- A. Affichage de la cavité du four
- B. Afficheur de l'heure/minuterie

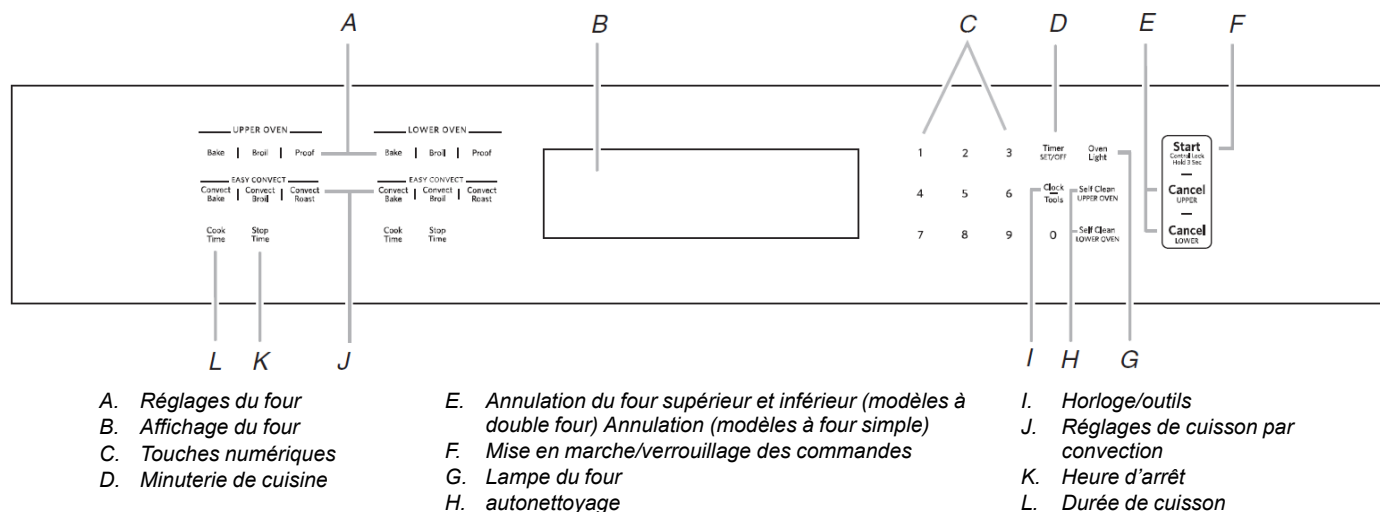
TOUCHE	CARACTÉRISTIQUE	INSTRUCTIONS
CLOCK/TOOLS (horloge/outils)	Clock (horloge)	L'horloge utilise un programme de 12 heures. Voir la section « Commande électronique du four ». <ol style="list-style-type: none"> Appuyer sur CLOCK/TOOLS (horloge/outils). Appuyer sur la touche « 1 » pour sélectionner l'horloge. Appuyer ensuite sur les touches numériques pour régler l'heure. Appuyer sur START (mise en marche).
CLOCK/TOOLS (horloge/outils)	Settings (réglages)	Permet de personnaliser les signaux sonores et le fonctionnement du four selon les préférences de l'utilisateur. Voir la section « Commande électronique du four ».
OVEN LIGHT (lampe du four)	Lampe de la cavité du four	La lampe du four est commandée à l'aide du tableau de commande du four. Alors que la porte du four est fermée, appuyer sur OVEN LIGHT (lampe du four) pour allumer ou éteindre la lampe. La lampe du four s'allume automatiquement à l'ouverture de la porte.

TOUCHE	CARACTÉRISTIQUE	INSTRUCTIONS
TIMER SET/OFF (réglage/arrêt de la minuterie)	Minuterie du four	<p>La minuterie peut être réglée en heures ou en minutes jusqu'à concurrence de 23 heures et 59 minutes.</p> <ol style="list-style-type: none"> 1. Appuyer sur TIMER SET/OFF (réglage/arrêt de la minuterie). Appuyer de nouveau sur TIMER SET/OFF (réglage/arrêt de la minuterie) pour passer des MIN/SEC aux HR/MIN et sur OFF (arrêt). Si aucune action n'est effectuée, le tableau de commande continue d'attendre l'entrée d'une durée de cuisson. 2. Appuyer sur les touches numériques pour programmer une durée. 3. Appuyer sur TIMER SET/OFF (réglage/arrêt de la minuterie). Si on n'appuie pas sur le clavier numérique, le tableau de commande continue d'attendre qu'on appuie sur SET/START (réglage/arrêt de la minuterie). Lorsque la durée de cuisson programmée est écoulée, 4 signaux sonores retentissent continuellement jusqu'à ce qu'on appuie sur la touche TIMER SET/OFF (réglage/arrêt de la minuterie). 4. Appuyer sur TIMER SET/OFF (réglage/arrêt de la minuterie) à tout moment pour annuler la minuterie de cuisine ou arrêter les signaux de rappel. Si on appuie sur CANCEL (annulation), le four correspondant s'éteint. Toutefois, la minuterie de cuisine ne peut être éteinte que si l'on appuie sur TIMER SET/OFF (réglage/arrêt de la minuterie).
START (mise en marche)	Démarrage de la cuisson	<p>La touche Start (mise en marche) met en marche n'importe quelle fonction du four. Si, après avoir appuyé sur une touche, on n'appuie pas sur Start dans les 5 minutes qui suivent, la fonction est annulée et l'heure s'affiche.</p>
CANCEL UPPER (annuler haut) CANCEL LOWER (annuler bas)	Fonction de la cuisinière	<p>La touche Cancel (annulation) désactive toutes les fonctions du four correspondant à l'exception de l'horloge et de la minuterie.</p>
BAKE (cuisson au four) (fours supérieur et inférieur)	Cuisson au four et rôtissage	<ol style="list-style-type: none"> 1. Appuyer sur BAKE (cuisson au four) (four supérieur ou inférieur). Appuyer sur les touches numériques pour entrer une température autre que 350 °F (177 °C). La température de cuisson au four peut être réglée entre 145 °F et 550 °F (63 °C et 288 °C). 2. Appuyer sur START (mise en marche). « Lo° » apparaît sur l'affichage du four si la température réelle du four est inférieure à 100 °F (38 °C) et « Preheating » (préchauffage) apparaît dans la zone inférieure de l'affichage. Lorsque la température réelle du four atteint 100 °F (38 °C), l'affichage du four commence à indiquer la température alors qu'elle augmente. Lorsque la température réglée est atteinte, un signal sonore se fait entendre (si activé). 3. Appuyer sur la touche CANCEL (annulation) du four sélectionné une fois la cuisson terminée.
BROIL (cuisson au grill)	Broiling (cuisson au grill)	<p>Fermer la porte.</p> <ol style="list-style-type: none"> 1. Appuyer sur BROIL (cuisson au grill) pour le four supérieur ou inférieur. Appuyer sur les touches numériques pour entrer une température autre que 550 °F (288 °C). La température de cuisson au grill peut être réglée entre 450 °F et 550 °F (232 °C et 288 °C). 2. Appuyer sur START (mise en marche). Un signal sonore long est émis. La température du four réglée apparaît sur l'affichage du four jusqu'à ce que le four soit éteint. 3. Appuyer sur la touche CANCEL (annulation) du four sélectionné une fois la cuisson terminée.

TOUCHE	CARACTÉRISTIQUE	INSTRUCTIONS
EASY CONVECT BAKE (cuisson au four par convection facile)	Convect Bake (cuisson au four par convection)	<p>Avant la cuisson au four par convection, placer les grilles comme indiqué à la section « Positionnement des grilles et des ustensiles de cuisson ».</p> <ol style="list-style-type: none"> 1. Appuyer sur CONVECT BAKE (cuisson au four par convection) (four supérieur ou inférieur). 2. Appuyer sur les touches numériques pour choisir ou non de convertir la recette. 3. Si on sélectionne « 1 : Oui », « easy convect bake » (cuisson au four par convection facile) s'affiche. Appuyer ensuite sur les touches numériques pour entrer une température. La température de cuisson au four par convection peut être réglée entre 170 °F et 550 °F (77 °C et 288 °C). La température du four est automatiquement réduite de 25 °F (14 °C) pour la cuisson au four EasyConvect™ et la température modifiée apparaît sur l'affichage, mais la durée de cuisson n'est pas modifiée. Appuyer ensuite sur les touches numériques pour entrer une durée de cuisson. REMARQUE : Si on entre une température comprise entre 170 °F et 194 °F (77 °C et 90 °C), l'affichage indique uniquement 170 °F (77 °C) et non pas la réduction de température. 4. Si on sélectionne « 2 : Non », la cuisson au four par convection se poursuit sans conversion. Appuyer sur la touche numérique « 1 » pour utiliser la fonction de préchauffage rapide ou sur « 2 » pour poursuivre la cuisson sans préchauffage rapide. Appuyer ensuite sur les touches numériques pour entrer une température. REMARQUE : La fonction de cuisson au four avec préchauffage rapide convient uniquement à une cuisson au four sur 1 grille. 5. Appuyer sur START (mise en marche). « Lo » apparaît sur l'affichage du four si la température réelle du four est inférieure à 100 °F (38 °C) et « Preheating » (préchauffage) apparaît dans la zone inférieure de l'affichage. Lorsque la température réelle du four atteint 100 °F (38 °C), l'affichage du four indique les augmentations de température. Lorsque la température réglée est atteinte, une sonnerie se fait entendre. 6. Appuyer sur la touche CANCEL (annulation) du four sélectionné une fois la cuisson terminée.
EASY CONVECT ROAST (rôtissage par convection facile)	Convect Roast (rôtissage par convection)	<ol style="list-style-type: none"> 1. Appuyer sur CONVECT ROAST (cuisson au four par convection) (four supérieur ou inférieur). 2. Appuyer sur les touches numériques pour choisir ou non de convertir la recette. 3. Si on sélectionne « 1 : Oui », « easy convect roast » (rôtissage par convection facile) s'affiche. Appuyer sur les touches numériques pour saisir une température. La température de rôtissage par convection peut être réglée entre 170 °F et 550 °F (77 °C et 288 °C). Appuyer sur les touches numériques pour entrer une durée de cuisson. La durée de cuisson est automatiquement réglée à 80 % de la durée entrée et la durée de cuisson modifiée s'affiche, mais la température n'est pas changée. 4. Si on sélectionne « 2 : Non », le rôtissage par convection se poursuit sans conversion. Appuyer sur les touches numériques pour saisir une température. 5. Appuyer sur START (mise en marche). Un signal sonore long est émis. La température du four réglée apparaît sur l'affichage du four jusqu'à ce que le four soit éteint. 6. Appuyer sur la touche CANCEL (annulation) du four sélectionné une fois la cuisson terminée.
CONVECT MODES (modes de convection)	Convect broil (cuisson au grill par convection)	<p>Fermer la porte.</p> <ol style="list-style-type: none"> 1. Appuyer sur CONVECT BROIL (cuisson au four par convection) (four supérieur ou inférieur). Appuyer sur les touches numériques pour entrer une température autre que 550 °F (288 °C). La température de cuisson au grill par convection peut être réglée entre 450 °F et 550 °F (232 °C et 288 °C). 2. Appuyer sur START (mise en marche). La température du four réglée apparaît sur l'affichage du four jusqu'à ce que le four soit éteint. 3. Appuyer sur la touche CANCEL (annulation) du four sélectionné une fois la cuisson terminée.
PROOF (levée)	Levée du pain	<ol style="list-style-type: none"> 1. Appuyer sur PROOF (levée du pain) (four supérieur ou inférieur). L'affichage indiquera 100 °F (38 °C). 2. Appuyer sur START (mise en marche). Laisser la pâte lever jusqu'à ce qu'elle ait presque doublé de volume, puis vérifier au bout de 20 à 25 minutes. La durée de levée du pain peut varier en fonction du type de pâte et de la quantité. 3. Appuyer sur la touche CANCEL (annulation) du four sélectionné une fois la cuisson terminée. <p>Consulter la section « Levée du pain » pour plus d'informations.</p>

TOUCHE	CARACTÉRISTIQUE	INSTRUCTIONS
STOP TIME (heure d'arrêt)	Delayed start (mise en marche différée)	La touche Stop Time (heure d'arrêt) sert à entrer l'heure de mise en marche pour un four équipé de mise en marche différée. La touche Stop Time (heure d'arrêt) ne doit pas être utilisée pour les aliments tels que pains et gâteaux, car ils risquent de ne pas bien cuire. Pour régler une durée de cuisson ou une heure d'arrêt, voir la section « Cuisson minutée ».
COOK TIME (durée de cuisson)	Timed cooking (cuisson minutée)	Cook Time (durée de cuisson) permet au four de réaliser une cuisson pendant une durée prééglée. Pour régler une durée de cuisson ou une heure d'arrêt, voir la section « Cuisson minutée ».

Commandes électroniques du four



Affichage

Lors de la mise sous tension initiale du four, « 12:00 » clignote sur l'affichage et « Clock-Enter Tim » (entrée de l'heure de l'horloge) apparaît sur l'affichage. Entrer l'heure en appuyant sur les touches numériques. Appuyer sur START (mise en marche) pour l'activer. Pour permettre le fonctionnement du four sans régler l'heure, appuyer sur START (mise en marche) ou CANCEL (annulation).

Affichage du four

Lorsqu'on utilise un four, l'afficheur indique la température du four, la source de chaleur et l'heure de mise en marche. Sur les modèles de four double, cet affichage indiquera aussi lequel des deux fours est en cours de réglage. Le symbole de la cavité du four supérieur représente le four supérieur; le symbole de la cavité du four inférieur représente le four inférieur.

En outre, pendant la cuisson minutée, l'affichage de ce four indique aussi un compte à rebours et l'heure de fin de cuisson (si programmée).

Affichage de l'heure/minuterie

Lorsque le(s) four(s) n'est/ne sont pas utilisé(s), cet affichage indique l'heure ou le compte à rebours de la minuterie.

Mise en marche

La touche START (mise en marche) met en marche toutes les fonctions du four, sauf le mode Sabbath. Si on n'appuie pas sur la touche Start (mise en marche) dans les 5 secondes après avoir appuyé sur une autre touche, « START? » apparaît sur l'afficheur du four inférieur à titre de rappel. Si l'on n'appuie pas sur la touche Start (mise en marche) dans un délai de 5 minutes après avoir appuyé sur une autre touche, l'affichage du four retourne au mode inactif et la fonction programmée est annulée.

Annulation du four inférieur, annulation du four supérieur et annulation

Les touches Lower Cancel (annulation four inférieur), Upper Cancel (annulation four supérieur) et Cancel (annulation) arrêtent les fonctions des fours respectifs à l'exception de l'horloge, de la minuterie de cuisine et du verrouillage des commandes. Le ou les ventilateurs de refroidissement du four peuvent continuer à fonctionner même après l'annulation ou la fin d'une fonction, selon la température du four.

Signaux sonores

Les signaux sonores avertissent l'utilisateur de divers événements :

Un bip

- Touche valide
- Saisie d'une fonction

Une sonnerie

- Programme de préchauffage terminé

Trois bips

- Touche non valide

Trois sonneries

- Fin d'un programme de cuisson

Quatre sonneries

- Lorsque la minuterie est à zéro
Comprend l'utilisation de la minuterie de cuisine pour des fonctions autres que la cuisson.

Volume des signaux sonores

Le volume est prééglé à faible, mais il peut être changé à élevé.

Pour modifier : Appuyer sur TOOLS (outils) ou CLOCK/TOOLS (horloge/outils), selon le modèle, puis sur « 4 » pour alterner entre un réglage de volume élevé ou faible.

Tous les signaux sonores

Tous les signaux sonores sont préréglés sur activé, mais peuvent être désactivés.

Désactivation/activation : Appuyer sur TOOLS (outils) ou CLOCK/TOOLS (horloge/outils), selon le modèle, puis sur « 3 » pour activer/désactiver les tonalités.

Signaux de fin de programme et de rappel

Les signaux sonores de la minuterie et de fin de programme d'une cuisson minutée sont activés par défaut, mais peuvent être désactivés. Si tous les signaux ont été éteints, les signaux sonores de fin de programme et de rappel ne peuvent être allumés seuls.

Désactivation/activation des signaux sonores : Appuyer sur TOOLS (outils) ou CLOCK/TOOLS (horloge/outils), selon le modèle, puis sur « 5 » pour activer. Appuyer sur TOOLS (outils), puis sur « 5 » pour désactiver.

REMARQUE : Si l'on désactive ce signal de rappel, le signal sonore de la minuterie de cuisine ne sera pas désactivé pour autant.

Fahrenheit et Celsius

La température est préréglée en Fahrenheit, mais elle peut être modifiée et affichée en Celsius.

Pour modifier : Appuyer sur TOOLS (outils), puis sur « 2 » pour alterner entre réglages de température Fahrenheit et Celsius.

Lorsque la température est en mode Fahrenheit, « °F » apparaît après la température du four.

Lorsque la température est en mode Celsius, « °C » apparaît après la température du four.

Tools (outils)

La touche de sélection Tools (outils) permet d'accéder à 9 fonctions cachées dans les commandes électroniques du four. Ces fonctions cachées permettent de régler l'horloge, d'alterner entre unités Fahrenheit et Celsius pour la température du four, d'activer ou de désactiver les signaux sonores et les messages, d'ajuster le calibrage du four, de choisir la langue et d'activer le mode de démonstration.

Le mode Sabbat peut également être programmé en utilisant la touche de sélection Tools (outils).

Utilisation : Appuyer sur CLOCK/TOOLS (horloge/outils). L'affichage du four fait défiler les différents outils, commençant par « 1 » et terminant automatiquement à « 9 ». On peut aussi appuyer plusieurs fois sur la touche outils Tools (outils) pour faire défiler manuellement la liste d'outils.

TOOLS (outils)	FONCTION CACHÉE
1	Clock (horloge)
2	Conversion Fahrenheit et Celsius
3	Son activé/désactivé
4	Son élevé/bas
5	Signal de fin activé/désactivé
6	Calibrage
7	Sabbat
8	Langue
9	Mode de démonstration

Clock (horloge)

Il s'agit d'une horloge de 12 heures. Avant le réglage, s'assurer que le(s) four(s), la minuterie de cuisine et la cuisson minutée sont désactivés.

Réglage :

1. Appuyer sur CLOCK/TOOLS (horloge/outils).
2. Appuyer sur la touche « 1 ».
3. Sélectionner Clock (horloge), puis appuyer sur les touches numériques pour régler l'heure.
4. Appuyer sur CLOCK/TOOLS (horloge/outils) ou START (mise en marche).

Minuterie/minuterie de cuisine

La minuterie/minuterie de cuisine peut être réglée en minutes et secondes ou en heures et minutes et procède à un compte à rebours de la durée réglée.

REMARQUE : La minuterie/minuterie de cuisine ne met pas en marche le four et ne l'éteint pas.

Control Lock (verrouillage des commandes)

Le verrouillage des commandes désactive les touches du tableau de commande pour éviter l'utilisation involontaire du ou des fours. Si le verrouillage des commandes a été réglé avant une panne de courant, la fonction reste activée après cette panne de courant. Lorsque le tableau de commande est verrouillé, seules les touches Start (mise en marche), Timer Set/Off (réglage/arrêt de la minuterie) et Oven Light (lampe du four) fonctionnent.

La commande de verrouillage des commandes est placée par défaut sur déverrouillée, mais peut être verrouillée.

Verrouillage des commandes : Appuyer sur START (mise en marche) pendant environ 3 secondes, jusqu'à ce que « control locked » (commandes verrouillées) apparaisse sur la ligne de texte inférieure et que l'icône de verrou apparaisse sur l'afficheur.

Déverrouillage des commandes : Répéter ces étapes pour déverrouiller. « Control Unlocked » (commandes déverrouillées) s'affiche sur la ligne de texte inférieure et l'icône de verrouillage disparaît.

Commande de la température du four

IMPORTANT : Ne pas utiliser de thermomètre pour mesurer la température du four. Les éléments chauffants s'allument et s'éteignent en alternance pour maintenir une température constante, mais leur température peut varier légèrement dans un sens ou dans l'autre du fait de cette alternance. L'ouverture de la porte du four affecte la mise en marche alternée des éléments et influence la température.

Le four fournit des températures précises et a été testé avec soin à l'usine. Toutefois, il peut cuire plus rapidement ou plus lentement que votre four précédent, et ainsi entraîner des différences de cuisson ou de brunissage. Si nécessaire, le calibrage de la température peut se régler en degrés Fahrenheit ou Celsius.

Sur les modèles de fours doubles, le four supérieur et le four inférieur peuvent chacun être calibrés indépendamment.

Un signe moins signifie que le four sera plus froid du nombre de degrés affiché. L'absence de signe moins signifie que le four sera plus chaud du nombre de degrés affiché. Utiliser le tableau suivant comme guide.

REMARQUE : Cet affichage se poursuit pour indiquer la température du réglage d'origine, il n'indiquera pas le décalage de calibration. Par exemple, si la température a été réglée à 350 °F (177 °C) et calibrée à -20, la température affichée sera toujours 350 °F (177 °C).

RÉGLAGE EN °F (CHANGEMENT AUTOMATIQUE EN °C)	CUIT LES ALIMENTS
10 °F (6 °C)	... un peu plus
20 °F (12 °C)	... modérément plus
30 °F (18 °C)	... beaucoup plus
0 °F (0 °C)	réglage par défaut
-10 °F (-6 °C)	... un peu moins
-20 °F (-12 °C)	... modérément moins
-30 °F (-18 °C)	... beaucoup moins

Réglage du calibrage de la température du four :

1. Appuyer sur TOOLS (outils), puis sur « 6 » pour régler le calibrage.
2. Appuyer sur la touche « 1 » pour sélectionner le four supérieur ou sur la touche « 2 » pour sélectionner le four inférieur.
Chaque calibrage de four peut être indépendamment réglé.
3. Appuyer sur « 3 » pour augmenter et « 6 » pour baisser la température.
4. Appuyer sur START (mise en marche) pour terminer le calibrage.

Mode Sabbath (Sabbat)

Le mode Sabbath (Sabbat) permet au four de rester sur un réglage de cuisson au four jusqu'à ce qu'on l'éteigne. Un mode Sabbath minuté peut également être programmé pour garder le four allumé seulement pendant une partie du mode Sabbath (Sabbat).

Lorsque le mode Sabbath est programmé, les touches utilisables sont les suivantes : clavier numérique, Start (mise en marche), Tools (outils) (uniquement pour désactiver une fonction) et Cancel (annulation). L'affichage fait défiler les informations concernant la sélection de la température de four souhaitée.

Lorsque le mode Sabbath est programmé, le four supérieur est désactivé et aucune fonction n'est activée. Lorsque la porte du four est ouverte ou fermée la lampe du four ne s'allume ou ne s'éteint pas et les éléments de chauffage ne s'allument ou ne s'éteignent pas immédiatement.

Si une panne de courant se produit lorsque le mode Sabbath est programmé, le four restera au mode Sabbath, mais ne sera plus en mode actif de cuisson. Le témoin lumineux « EN MARCHÉ » ne sera plus allumé. Appuyer sur CANCEL (annulation) (four supérieur ou inférieur) pour revenir à un mode de fonctionnement normal (pas de mode Sabbath actif, pas de cuisson).

Activation :

Avant que le mode Sabbath puisse être régulièrement programmé, les fours doivent d'abord être programmés pour fonctionner au mode Sabbath. Sur les modèles à double four, l'étape suivante permettra d'activer les deux fours.

1. Appuyer sur CLOCK/TOOLS (horloge/outils), puis sur la touche numérique « 7 ». « SABBATH MODE ON » (Sabbat activé) apparaîtra sur l'affichage du four pendant environ 5 secondes.

Désactivation :

Le four peut être désactivé de la capacité à régler le mode Sabbath en répétant les étapes précédentes. Voir la section « Activation ». Lorsqu'un four est désactivé, « SABBATH MODE OFF » (Sabbat désactivé) apparaîtra sur l'affichage pendant environ 5 secondes.

Le mode Sabbath ne peut être programmé régulièrement tant qu'il n'a pas été réactivé.

Sur les modèles à double four, les étapes suivantes permettront de désactiver les deux fours.

Programmer l'arrêt non minuté du mode Sabbath de façon régulière :

Le mode Sabbath doit être activé avant de lancer le programme de cuisson au four. Voir la section « Activation ».

1. Appuyer sur BAKE (cuisson au gril) pour le four supérieur ou inférieur.
Appuyer sur les touches numériques pour entrer une température autre que 350 °F (177 °C). La température de cuisson au four peut être réglée entre 145 °F et 550 °F (63 °C et 288 °C).
2. Appuyer sur START (mise en marche).
3. Appuyer sur CLOCK/TOOLS (horloge/outils), puis sur la touche numérique « 7 ». « SABBATH MODE » (mode Sabbath) apparaîtra sur l'afficheur du four.

Réglage régulier, minuté :

Le mode Sabbath doit être activé avant de lancer le programme de cuisson au four. Voir la section « Activation ».

1. Appuyer sur BAKE (cuisson au gril) pour le four supérieur ou inférieur.
Appuyer sur les touches numériques pour entrer une température autre que 350 °F (177 °C). La température de cuisson au four peut être réglée entre 145 °F et 550 °F (63 °C et 288 °C).
2. Appuyer sur COOK TIME (durée de cuisson).
3. Appuyer sur les touches numériques pour entrer la durée du mode Sabbath, jusqu'à 11 heures 59 minutes.
4. Appuyer sur START (mise en marche). Le four commence un programme de cuisson minuté.
5. Appuyer sur CLOCK/TOOLS (horloge/outils), puis sur la touche numérique « 7 ». « SABBATH MODE » (mode Sabbath) apparaîtra sur l'afficheur du four. L'heure de mise en marche et d'arrêt apparaît sur l'affichage du four inférieur.
6. Lorsque l'heure d'arrêt est atteinte, le four s'éteint automatiquement. Le module de commande du four reste en mode Sabbath jusqu'à ce qu'on appuie sur le bouton Cancel (annulation).

Changement de température

La température du four peut être modifiée lorsque le four est en mode Sabbath. Aucun signal sonore ne retentira et l'affichage ne changera pas. Les éléments chauffants ne s'allumeront ou ne s'éteindront pas pendant un certain temps, entre 16 et 24 secondes. Le changement de température du four peut prendre jusqu'à une demi-heure.

Les touches numériques de « 1 » à « 0 » représentent les températures. Utiliser le tableau suivant comme guide.

TOUCHE NUMÉRIQUE	TEMPÉRATURE DU FOUR
1	170 °F (76 °C)
2	200 °F (93 °C)
3	225 °F (107 °C)
4	250 °F (121 °C)
5	300 °F (148 °C)
6	325 °F (162 °C)
7	350 °F (176 °C)
8	375 °F (190 °C)
9	400 °F (204 °C)
0	450 °F (232 °C)

Changement de température :

Initialement sur les fours doubles, les cavités peuvent être programmées à des températures différentes. Cependant, une fois que le mode Sabbath fonctionne, si la température est modifiée, les deux cavités utiliseront la même température.

1. Appuyer sur la touche numérique indiquée dans le tableau.
2. Appuyer sur START (mise en marche).

UTILISATION DU FOUR

Des odeurs et de la fumée sont normales lorsque le four est utilisé les premières fois et lorsqu'il est très sale.

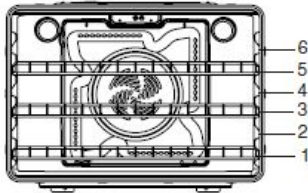
Lors de l'utilisation du four, les éléments de chauffage ne sont pas actifs, mais fonctionnent par intermittence lors du fonctionnement du four.

IMPORTANT : Les émanations de fumée peuvent mettre en danger la santé de certains oiseaux qui y sont extrêmement sensibles. L'exposition aux émanations peut entraîner la mort de certains oiseaux. Toujours déplacer les oiseaux dans une autre pièce fermée et bien aérée.

Positionnement des grilles et des ustensiles de cuisson au four

Utiliser l'illustration et les tableaux suivants comme guide.

Positions de grille – Four supérieur et inférieur



Cuisson au gril

Aliment	Position de grille
Pour la plupart des cuissons au gril	6

Cuisson traditionnelle

Aliment	Position de grille
Gros rôtis, dindes, gâteaux des anges et gâteaux Bundt, pains éclairs, tartes	1 ou 2
Pains à la levure, mets en sauce, viande et volaille	2
Biscuits, muffins et gâteaux	2 ou 3 pour une cuisson au four sur une seule grille; 2 et 5 pour une cuisson au four sur plusieurs grilles

Cuisson par convection (pour les modèles avec convection uniquement)

Réglage du four	Nombre de grilles utilisées	Position de grille
Cuisson au four avec préchauffage rapide	1	3
Cuisson au four par convection avec préchauffage rapide	1	3

Réglage du four	Nombre de grilles utilisées	Position de grille
Cuisson au four par convection	1	1, 2 ou 3
Cuisson au four par convection	2	2 et 5
Cuisson au four par convection	3	1, 3 et 5
Rôtissage par convection	1	1 ou 2
Cuisson au gril par convection	1	4, 5 ou 6

Ustensiles de cuisson

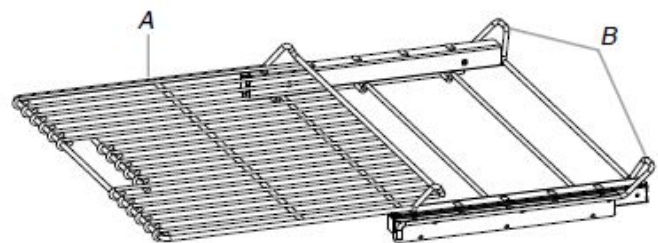
L'air chaud doit pouvoir circuler autour de l'aliment pour le cuire uniformément. Pour de meilleurs résultats, laisser un espace de 2 po (5 cm) entre les ustensiles de cuisson et les parois du four. Utiliser le tableau suivant comme guide.

Nombre d'ustensiles	Position sur la grille
1	Centre de la grille.
2	Côte à côte ou légèrement décalés.
3 ou 4	Voir l'illustration de positions de grille dans cette section pour connaître le positionnement recommandé pour les plats.

Grille déployante coulissante SatinGlide™

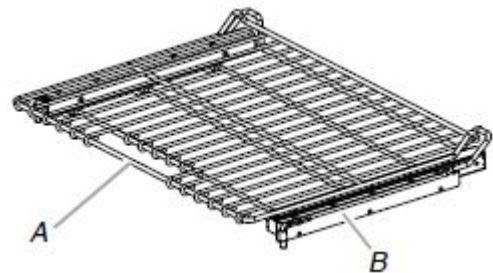
La grille coulissante déployante SatinGlide™ offre un accès facile à l'utilisateur pour le positionnement et le retrait des aliments. Elle peut être utilisée sur les positions de grille 1 à 6.

Position déployée



A. Grille coulissante déployante SatinGlide™
B. Support coulissant

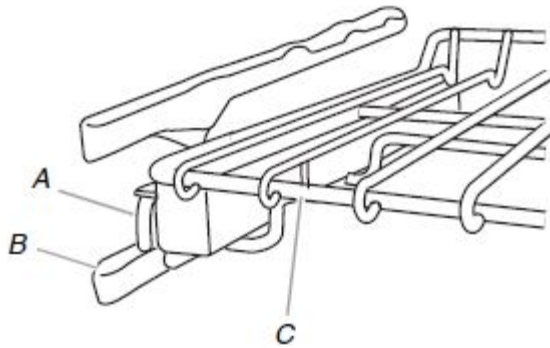
Position rétractée et emboîtée



A. Grille coulissante déployante SatinGlide™
B. Support coulissant

Retrait de la grille coulissante déployante SatinGlide™ :

1. Enfoncer la grille complètement en la faisant glisser jusqu'à ce qu'elle soit rétractée et emboîtée sur le support coulissant.
2. À 2 mains, soulever l'avant de la grille et pousser le support coulissant vers la paroi arrière du four jusqu'à ce qu'il repose sur les rails pour grille. L'avant de la grille et du support coulissant doivent se trouver plus haut que l'arrière.



A. Support coulissant
B. Guide de grille
C. Grille coulissante déployante SatinGlide™

3. Retirer la grille et le support coulissant.

Remplacer la grille coulissante déployante SatinGlide™ :

1. À 2 mains, saisir l'avant de la grille rétractée et du support coulissant. Placer la grille rétractée et le support coulissant sur le rail pour grille.
2. À 2 mains, soulever l'avant de la grille et du support coulissant en même temps.
3. Pousser lentement la grille et le support coulissant vers l'arrière du four jusqu'à ce que l'arrière de la grille chevauche l'extrémité du rail pour grille.

Pour éviter d'endommager les supports coulissants, ne pas placer plus de 25 lb (11,4 kg) sur la grille ou 35 lb (15,9 kg) sur la grille coulissante pour accessoires alimentés (sur certains modèles).

Ne pas nettoyer la grille coulissante déployante SatinGlide™ au lave-vaisselle. Ceci pourrait enlever le lubrifiant de la grille et nuire à ses facultés de glissement.

Consulter la section « Nettoyage général » du Manuel d'utilisation pour obtenir plus d'instructions.

Ustensiles de cuisson

Le matériau des ustensiles de cuisson affecte les résultats de cuisson. Suivre les recommandations du fabricant et utiliser le format d'ustensiles recommandé dans la recette. Utiliser le tableau suivant comme guide.

USTENSILES DE CUISSON/ RÉSULTATS	RECOMMANDATIONS
Aluminium légèrement coloré <ul style="list-style-type: none">■ Croûtes légèrement dorées■ Brunissage uniforme	<ul style="list-style-type: none">■ Utiliser la température et la durée recommandées dans la recette.

USTENSILES DE CUISSON/ RÉSULTATS

RECOMMANDATIONS

Aluminium foncé et autres ustensiles de cuisson avec fini foncé, terne ou antiadhésif

- Croûtes brunes, croustillantes

- Peut nécessiter de réduire légèrement les températures de cuisson au four.
- Utiliser la durée de cuisson suggérée.
- Pour les tartes, les pains et les mets en sauce, utiliser la température et la durée recommandées dans la recette.
- Placer la grille au centre du four.

Tôles à biscuits ou moules à cuisson à isolation thermique

- Brunissage faible ou non existant à la base

- Suivre les recommandations de positionnement de grille dans la section « Positionnement des grilles et ustensiles de cuisson au four ».
- Peut nécessiter d'augmenter la durée de cuisson.

Acier inoxydable

- Croûtes légèrement dorées
- Brunissage irrégulier

- Peut nécessiter d'augmenter la durée de cuisson.

Grès/pierre de cuisson

- Croûtes croustillantes

- Suivre les instructions du fabricant.

Plats en verre vitrocéramique ou céramique

- Croûtes brunes, croustillantes

- Peut nécessiter de réduire légèrement les températures de cuisson au four.

Thermomètre à viande

Tous les modèles ne sont pas équipés d'une sonde de cuisson. Sur les modèles dépourvus d'une sonde de cuisson, utiliser un thermomètre à viande pour déterminer si la cuisson de la viande, de la volaille ou du poisson correspond au degré de cuisson souhaité. C'est la température interne et non l'apparence qui permet de déterminer le degré de cuisson.

Préchauffage et température du four

Préchauffage

Au début d'un programme d'un programme de cuisson au four, de cuisson au four par convection ou de rôtissage par convection, le four commence par un préchauffage une fois la touche Start (mise en marche) enfoncée. Le four atteint 350 °F (177 °C) en 12 à 17 minutes environ lorsque toutes les grilles fournies avec le four sont à l'intérieur de la cavité du four. Pour atteindre une température plus élevée, le préchauffage est plus long. Le programme de préchauffage augmente rapidement la température du four. La température réelle du four dépasse alors la température programmée, pour compenser la chaleur perdue à l'ouverture du four pour y introduire le plat à cuire. Ainsi, le four entame la cuisson à la température correcte après y avoir placé le plat. Placer les aliments au four lorsque le signal sonore de préchauffage retentit. Ne pas ouvrir la porte du four pendant le préchauffage tant que le signal sonore n'a pas retenti.

Température du four

En cours d'utilisation, les éléments chauffants du four s'allument et s'éteignent par intermittence pour maintenir une température constante. Ils peuvent chauffer ou refroidir légèrement à tout moment du fait de ce fonctionnement intermittent. L'ouverture de la porte du four en cours d'utilisation laisse échapper l'air chaud et refroidit le four, ce qui peut modifier la durée nécessaire et le résultat de la cuisson. Pour suivre l'avancement de la cuisson, il est conseillé d'utiliser l'éclairage du four.

Cuisson au four et rôtissage

IMPORTANT : Le ventilateur de convection et l'élément de convection peuvent se mettre en marche durant la fonction de cuisson au four pour améliorer la performance et la distribution de chaleur.

Le four atteint 350 °F (177 °C) en 12 à 17 minutes environ lorsque toutes les grilles du four sont à l'intérieur de la cavité. Le programme de préchauffage augmente rapidement la température à l'intérieur de la cavité du four. Pour atteindre une température plus élevée, le préchauffage est plus long. Les facteurs qui peuvent influencer la durée de préchauffage incluent la température ambiante, la température du four et le nombre de grilles installées. Pour réduire la durée de préchauffage, on peut retirer les grilles inutilisées avant de préchauffer le four. La température réelle du four dépasse alors la température programmée, pour compenser la chaleur perdue à l'ouverture du four pour y introduire le plat à cuire. Ainsi, le four entame la cuisson à la température correcte après y avoir placé le plat. Placer les aliments au four lorsque le signal sonore de préchauffage retentit. Ne pas ouvrir la porte du four pendant le préchauffage tant que le signal sonore n'a pas retenti.

Durant la cuisson au four ou le rôtissage, les éléments de cuisson au four et de cuisson au gril s'allument et s'éteignent par intermittence afin de maintenir la température du four.

Selon le modèle, si la porte du four est ouverte pendant la cuisson au four ou le rôtissage, les éléments chauffants (cuisson au four et au gril) s'éteignent environ 30 secondes après l'ouverture de la porte. Ils se remettent de nouveau en marche environ 30 secondes après la fermeture de la porte.

Broiling (cuisson au gril)

Broiling (cuisson au gril) utilise la chaleur radiante directe pour cuire les aliments.

L'élément s'allume et s'éteint par intermittence pour maintenir la température du four.

IMPORTANT : Fermer la porte pour une température de cuisson au gril adéquate.

Si la porte du four est ouverte pendant la cuisson au gril, l'élément de cuisson au gril s'éteint au bout d'environ 30 secondes. Lorsque la porte du four est refermée, les éléments sont réactivés environ 30 secondes plus tard.

- Pour de meilleurs résultats, utiliser une lèchefrite et une grille. La grille est conçue pour laisser s'écouler les jus et aider à éviter les éclaboussures et la fumée. Il est possible de commander un ensemble de lèchefrite. Consulter le Guide de démarrage rapide pour obtenir les coordonnées.
- Pour que l'écoulement puisse se faire correctement, ne pas recouvrir la grille de papier d'aluminium. Le fond de la lèchefrite peut être garni de papier d'aluminium pour en faciliter le nettoyage.
- Enlever l'excès de graisse pour réduire les éclaboussures. Entailler le gras résiduel sur les côtés pour éviter que la viande ne se recroqueville.

- Sortir la grille jusqu'à la butée d'arrêt avant de tourner ou d'enlever les aliments. Utiliser une pince pour tourner les aliments et éviter la perte de jus. Il est possible qu'il ne soit pas nécessaire de tourner les coupes très minces de poisson, de volaille ou de viande.
- Après la cuisson au gril, sortir la lèchefrite du four en même temps que l'aliment. Les jus de cuisson cuiront sur la lèchefrite si on la laisse dans le four encore chaud et rendront le nettoyage plus difficile.

Convection

Dans un four à convection, l'air chaud déplacé par ventilateur distribue la chaleur d'une manière plus uniforme. Ce déplacement de l'air chaud aide à maintenir une température uniforme dans tout le four, permettant ainsi de cuire les aliments plus uniformément tout en conservant leur humidité naturelle à l'intérieur.

On peut cuire la plupart des aliments au mode de cuisson au four par convection en baissant la température de cuisson de 25 °F (14 °C). La durée de cuisson peut être considérablement réduite lorsqu'on utilise le Convection Roast (rôtissage par convection), surtout pour les grosses dindes et les rôtis.

- Il est important de ne pas couvrir les aliments avec des couvercles ou du papier d'aluminium de telle sorte que la surface reste exposée au déplacement de l'air, permettant ainsi le brunissage et le croustillant.
- Éviter au maximum la perte de chaleur en ouvrant la porte du four seulement lorsque c'est nécessaire. Pour suivre l'avancement de la cuisson, il est conseillé d'utiliser l'éclairage du four.
- Choisir des tôles à biscuits sans bords et des plats de rôtissage à contour plus bas pour permettre à l'air de circuler librement autour de l'aliment.
- Vérifier la cuisson des produits de boulangerie quelques minutes avant le temps de cuisson minimal, avec un cure-dents par exemple.
- Utiliser un thermomètre à viande ou la sonde pour déterminer le degré de cuisson des viandes et de la volaille. Vérifier la température du porc et de la volaille à 2 ou 3 endroits.

Cuisson au four par convection (sur certains modèles)

L'élément de convection est dissimulé dans le panneau arrière de la cavité du four et assisté par le ventilateur de convection pour assurer un chauffage efficace et équilibré.

La cuisson au four par convection peut être utilisée pour cuire des gâteaux délicats et des pâtisseries, ainsi que des aliments sur plusieurs grilles. Il est utile de décaler les articles sur les grilles pour permettre une circulation plus uniforme de la chaleur. Si le four est plein, il faudra peut-être allonger la durée de cuisson.

Lors de la cuisson au four d'un repas comportant plusieurs types différents d'aliments, veiller à choisir des recettes nécessitant des températures semblables. Prévoir un espace d'au moins 2 po (5 cm) entre l'ustensile de cuisson et les parois du four.

Pendant le préchauffage pour la cuisson au four par convection, l'élément de cuisson par convection, l'élément de cuisson au gril et l'élément CleanBake™ chauffent tous la cavité du four. Après le préchauffage, l'élément de cuisson par convection, l'élément de cuisson au gril et l'élément CleanBake™ s'allument et s'éteignent par intermittence pour maintenir la température du four, tandis que le ventilateur fait circuler l'air chaud.

Si la porte du four est ouverte pendant la cuisson au four par convection, le ventilateur s'éteint immédiatement lorsque la porte est ouverte et s'allume immédiatement lorsque la porte est fermée. Les éléments de cuisson par convection de cuisson au four et de cuisson au gril s'éteignent environ 30 secondes après l'ouverture de la porte. Ils se mettront de nouveau en marche environ 30 secondes après la fermeture de la porte.

REMARQUE : Il est normal que le ventilateur de convection fonctionne durant les programmes sans cuisson par convection et durant le préchauffage.

- Réduire la température de la recette de 25 °F (14 °C). Le temps de cuisson devra peut-être aussi être réduit.

Cuisson au four par convection :

Avant la cuisson au four par convection, placer les grilles comme indiqué à la section « Positionnement des grilles et des ustensiles de cuisson ».

Rôtissage par convection (sur certains modèles)

Le rôtissage par convection est utilisé pour le rôtissage des viandes et de la volaille. Pendant le rôtissage par convection, les éléments de rôtissage, de cuisson par convection et CleanBake™ (sur certains modèles) s'allument et s'éteignent par intermittence pour maintenir la température du four, tandis que le ventilateur fait circuler l'air chaud.

Si la porte du four est ouverte pendant le rôtissage par convection, le ventilateur s'éteint immédiatement lorsque la porte est ouverte et s'allume immédiatement lorsque la porte est fermée. Les éléments de cuisson au four, de cuisson au gril et de cuisson par convection s'éteignent environ 30 secondes après l'ouverture de la porte. Ils se mettront de nouveau en marche environ 30 secondes après la fermeture de la porte.

REMARQUE : Il est normal que le ventilateur de convection fonctionne durant les programmes sans cuisson par convection et durant le préchauffage.

Rôtissage par convection

Avant le rôtissage par convection, placer les grilles comme indiqué à la section « Positionnement des grilles et des ustensiles de cuisson ». Il n'est pas nécessaire de préchauffer le four avant d'y placer l'aliment, sauf si la recette le recommande.

Cuisson au gril par convection (sur certains modèles)

Durant la cuisson au gril par convection, l'élément de cuisson au gril s'allume et s'éteint par intermittence pour maintenir le four à température constante tandis que le ventilateur fait circuler l'air chaud.

La température est préréglée à 550 °F (288 °C), mais elle peut être modifiée. Les durées de cuisson varient en fonction de la position de la grille et de la température et il peut être nécessaire de les ajuster.

Si la porte du four est ouverte pendant la cuisson au gril par convection, le ventilateur s'éteint immédiatement lorsque l'on ouvre la porte et se réactive immédiatement lorsque la porte est fermée. Les éléments de cuisson au gril s'éteignent environ 30 secondes après l'ouverture de la porte. Ils se mettront de nouveau en marche environ 30 secondes après la fermeture de la porte.

REMARQUE : Il est normal que le ventilateur de convection fonctionne durant les programmes sans cuisson par convection et durant le préchauffage.

Cuisson au gril par convection :

Laisser le four préchauffer pendant 5 minutes. Placer l'aliment sur la grille non chauffée de la lèchefrite, puis placer celle-ci au centre de la grille du four, avec le côté le plus long de la lèchefrite parallèle à la porte du four.

Levée du pain

La levée du pain prépare la pâte pour la cuisson en activant la levure. Sauf indication contraire de la recette, il est recommandé de procéder à une double levée.

Faire lever

Avant la première levée de pain, placer la pâte dans un saladier légèrement graissé et couvrir sans serrer avec du papier ciré ou de la pellicule plastique recouverts de graisse végétale. Placer sur les guides de grille 2. Voir la section « Positionnement des grilles et ustensiles de cuisson » pour le diagramme. Fermer la porte.

1. Appuyer sur PROOF (levée du pain) (four supérieur ou inférieur). L'affichage indiquera 100 °F (38 °C).
2. Appuyer sur START (mise en marche).

Laisser la pâte lever jusqu'à ce qu'elle ait presque doublé de volume, puis vérifier au bout de 20 à 25 minutes. La durée de levée du pain peut varier en fonction du type de pâte et de la quantité.

3. Appuyer sur la touche CANCEL (annulation) du four sélectionné une fois la levée du pain terminée.

Avant la seconde levée, mettre la pâte en forme, la placer sur la ou les plaques de cuisson et couvrir partiellement. Reprendre le même positionnement et suivre les étapes de commande mentionnées ci-dessus. Avant la cuisson au four, retirer le papier ciré ou la pellicule plastique.

Sonde de cuisson (four simple et supérieur et, sur certains modèles, four inférieur)

La sonde mesure précisément la température interne de la viande, de la volaille et des mets en sauce liquides et doit être utilisée pour déterminer le degré de cuisson de la viande et de la volaille. La sonde de cuisson doit être utilisée uniquement avec les fonctions Bake (cuisson au four), Convection Bake (cuisson au four par convection) ou Convection Roast (rôtissage par convection).

Toujours débrancher et retirer la sonde du four lorsqu'on retire les aliments.

Utilisation

Avant de l'utiliser, insérer la sonde à l'intérieur de l'aliment. (Pour les viandes, l'extrémité de la sonde doit se trouver au centre de la partie la plus épaisse de la viande et non dans le gras ou au contact d'un os). Placer les aliments dans le four et connecter la sonde à la prise. Maintenir la sonde aussi loin que possible de la source de chaleur. Fermer la porte du four.

REMARQUE : On doit insérer la sonde de cuisson dans l'aliment avant de sélectionner le mode souhaité.

1. Appuyer sur les touches numériques pour saisir une température pour la sonde. La température de la sonde correspond à la température interne désirée une fois que l'aliment est cuit. La température peut être réglée entre 110 °F et 200 °F (43 °C et 93 °C).
2. Appuyer sur BAKE (cuisson au four), CONVECT BAKE (cuisson au four par convection) ou CONVECT ROAST (rôtissage par convection) pour le four supérieur ou inférieur.
3. Appuyer sur START (mise en marche).

La température de four réglée apparaîtra sur l'affichage du four pendant la cuisson.

« Lo° » apparaîtra comme la température de la sonde jusqu'à ce que la température interne des aliments atteigne 45 °F (7 °C). L'affichage indique ensuite les augmentations de température.

Lorsque la température réglée pour la sonde est atteinte, le four s'arrête automatiquement et « Cooking Complete » (cuisson terminée) apparaît sur l'afficheur du four.

4. Appuyer sur la touche CANCEL (annulation) du four sélectionné ou ouvrir la porte pour effacer l'affichage ou arrêter les signaux sonores de rappel.
5. Toujours débrancher et retirer la sonde du four lorsqu'on retire les aliments. Le symbole de sonde restera allumé jusqu'à ce que la sonde soit débranchée.

Modifier la température de la sonde durant un programme de cuisson

1. Sélectionner un mode de cuisson permettant d'utiliser la sonde (Bake [cuisson au four], Convection Bake [cuisson au four par convection] ou Convection Roast [rôtissage par convection]).
2. Suivre les étapes 1 à 5 dans la section « Utilisation ».

Cuisson minutée

La fonction Timed Cooking (cuisson minutée) permet d'allumer le four à une certaine heure de la journée, d'effectuer une cuisson pendant une durée déterminée et/ou d'éteindre le four automatiquement. La mise en marche différée ne doit pas être utilisée pour les aliments tels que pains et gâteaux, car ils risquent de ne pas bien cuire.

Réglage d'une durée de cuisson

1. Sélectionner une fonction de cuisson.

Appuyer sur les touches numériques pour entrer une température autre que celle qui est affichée.

La cuisson minutée peut également être utilisée avec la fonction de levée du pain, mais la température n'est pas modifiable.

2. Appuyer sur COOK TIME (durée de cuisson).
3. Appuyer sur les touches numériques pour entrer la durée de cuisson.
4. Appuyer sur START (mise en marche).

Le compte à rebours en minutes apparaît sur l'affichage du four. L'heure de début et l'heure de fin ne s'affichent pas avant la fin du préchauffage du four.

Lorsque l'heure d'arrêt est atteinte, le four s'arrête automatiquement et « cooking complete » (cuisson terminée) apparaît sur l'afficheur du four.

Les signaux sonores de fin de programme se font entendre (si activés), suivis des signaux de rappel à intervalles d'une minute.

5. Appuyer sur la touche CANCEL (annulation) du four sélectionné ou ouvrir la porte et refermer pour effacer l'affichage ou arrêter les signaux sonores de rappel.

Réglage de la durée de cuisson et de l'heure d'arrêt

Avant le réglage, s'assurer que l'horloge est réglée à l'heure exacte. Voir la section « Horloge ».

1. Sélectionner une fonction de cuisson.

Appuyer sur les touches numériques pour entrer une température autre que celle qui est affichée.

La cuisson minutée peut également être utilisée avec la fonction de levée du pain, mais la température n'est pas modifiable.

2. Appuyer sur COOK TIME (durée de cuisson).
3. Appuyer sur les touches numériques pour entrer la durée de cuisson.
4. Appuyer sur STOP TIME (heure d'arrêt).
5. Appuyer sur les touches numériques pour entrer l'heure d'arrêt.
6. Appuyer sur START (mise en marche).

L'heure de mise en marche est calculée et affichée automatiquement.

« DELAY » (différer) et l'heure d'arrêt apparaissent aussi sur l'affichage du four.

Lorsque l'heure de mise en marche est atteinte, le four s'allume automatiquement. Le compte à rebours en minutes apparaît sur l'affichage du four.

Lorsque l'heure d'arrêt est atteinte, le four s'arrête automatiquement et « cooking complete » (cuisson terminée) apparaît sur l'afficheur du four.

Les signaux sonores de fin de programme se font entendre (si activés), suivis des signaux de rappel à intervalles d'une minute.

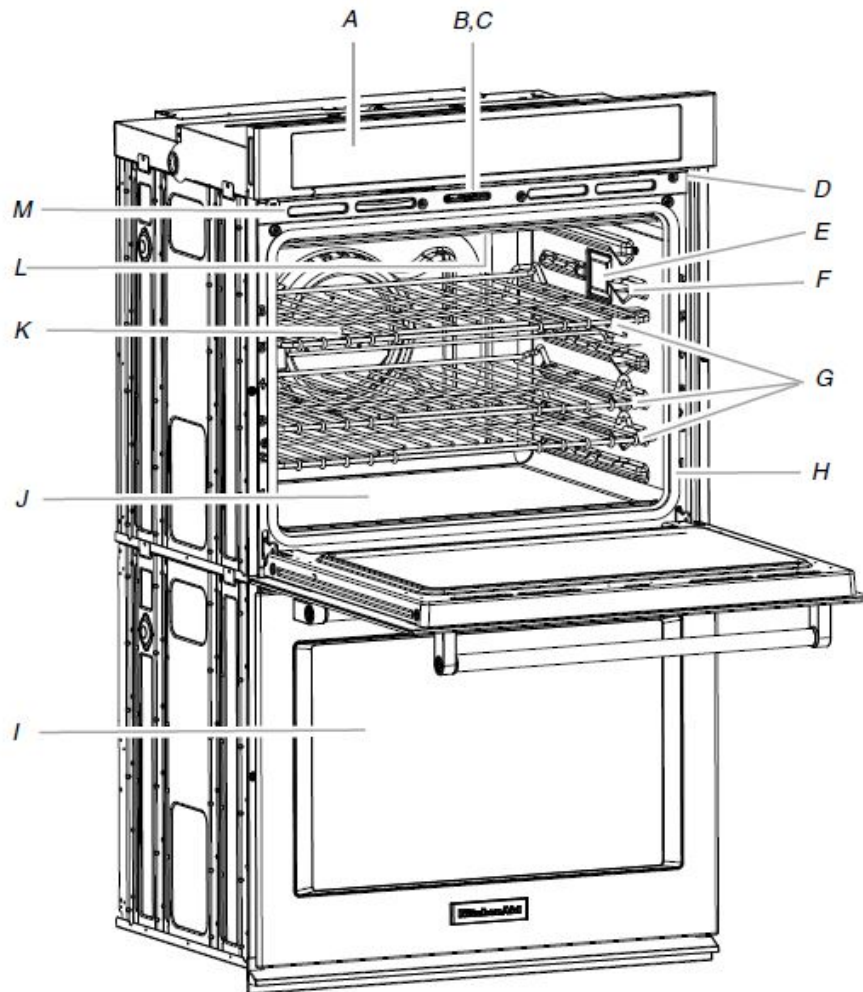
7. Appuyer sur la touche CANCEL (annulation) du four sélectionné ou ouvrir la porte et refermer pour effacer l'affichage ou arrêter les signaux sonores de rappel.

B-I Elect S&D Guía de control para hornos

PIEZAS Y CARACTERÍSTICAS

ADVERTENCIA: A fin de reducir el riesgo de incendio, choque eléctrico o lesiones personales, lea las INSTRUCCIONES IMPORTANTES DE SEGURIDAD que se encuentran en el Manual del propietario, antes de usar el electrodoméstico.

Este manual describe varios modelos diferentes. El horno que adquirió puede tener algunas o todas las características que aparecen a continuación. Es posible que la ubicación y la apariencia de las características que se muestran aquí no coincidan con las de su modelo.



- A. Controles electrónicos del horno
- B. Interruptor de luz automático del horno
- C. Pestillo de la puerta del horno
- D. Placa de modelo y número de serie (en el borde inferior del panel de control, lado derecho)
- E. Luces del horno
- F. Conector de sonda de temperatura (solo horno con elemento de convección y ventilador)
- G. Parrillas del horno (parrillas desplegadas disponibles solo en modelos selectos)

- H. Junta
- I. Horno inferior (en modelos de hornos dobles)
- J. CleanBake™ elemento para hornear (escondido detrás del panel de piso)
- K. Elemento de convección y ventilador (en el panel posterior)
- L. Elementos para asar (no se muestra)
- M. Ducto de ventilación del horno

Piezas y características no ilustradas
Sonda de temperatura

GUÍA DE FUNCIONES

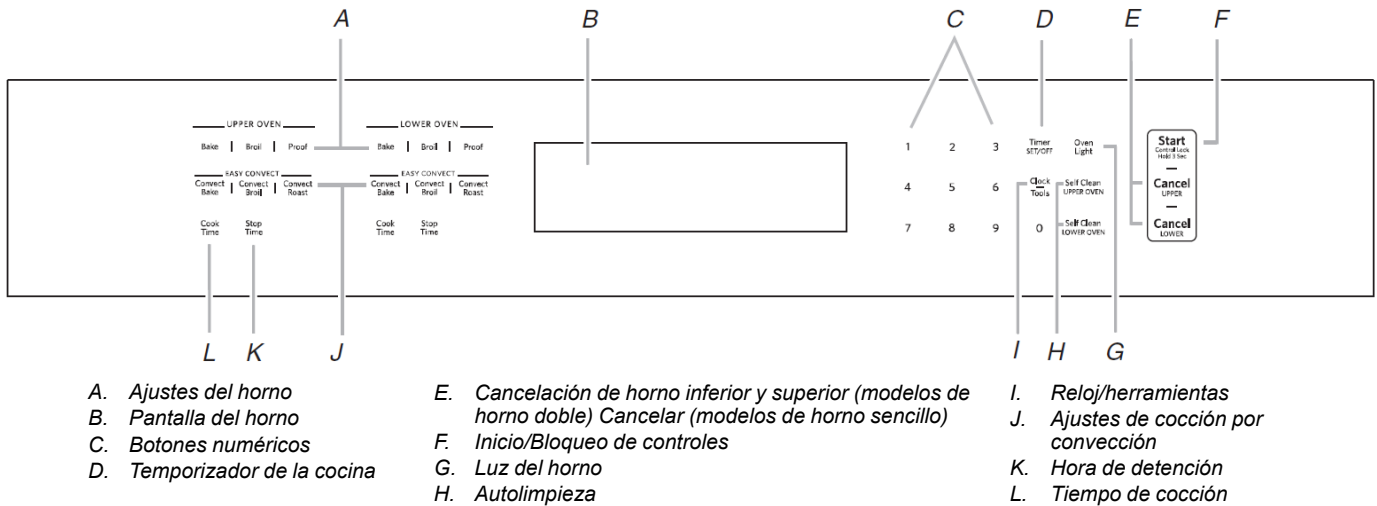
Este manual abarca varios modelos. Su modelo puede contar con algunos o todos los elementos enumerados. Consulte este manual o la sección de Preguntas frecuentes de nuestra página de Internet, en www.kitchenaid.com para obtener instrucciones más detalladas. En Canadá consulte la sección Servicio y asistencia en www.kitchenaid.ca.

⚠ ADVERTENCIA

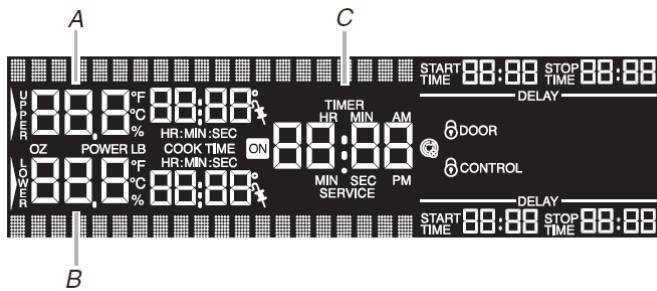
Peligro de intoxicación alimentaria

No deje sus alimentos en el horno por más de una hora antes o después de su cocción.

No seguir esta instrucción puede ocasionar intoxicación alimentaria o enfermedad.

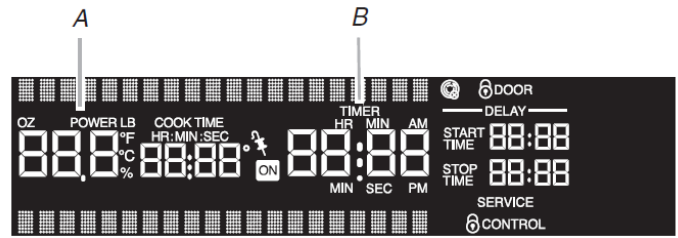


- A. Ajustes del horno
- B. Pantalla del horno
- C. Botones numéricos
- D. Temporizador de la cocina
- E. Cancelación de horno inferior y superior (modelos de horno doble) Cancelar (modelos de horno sencillo)
- F. Inicio/Bloqueo de controles
- G. Luz del horno
- H. Autolimpieza
- I. Reloj/herramientas
- J. Ajustes de cocción por convección
- K. Hora de detención
- L. Tiempo de cocción



Pantalla del horno doble

- A. Pantalla de la cavidad del horno superior
- B. Pantalla de la cavidad del horno inferior
- C. Hora del día, pantalla del temporizador



Pantalla del horno sencillo

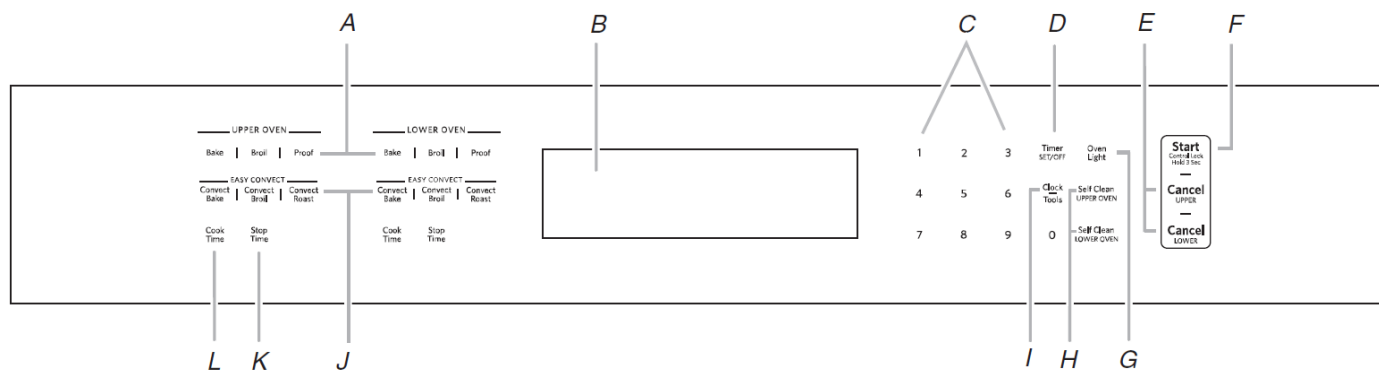
- A. Pantalla de cavidad del horno
- B. Hora del día, pantalla del temporizador

TECLA	FUNCIÓN	INSTRUCCIONES
CLOCK/TOOLS (Reloj/Herramientas)	Clock (Reloj)	El reloj tiene un ciclo de 12 horas. Consulte la sección "Controles electrónicos del horno". <ol style="list-style-type: none"> 1. Toque CLOCK/TOOLS (Reloj/herramientas). 2. Toque el botón "1" para seleccionar Clock (Reloj). Luego toque los botones numéricos para establecer la hora del día. 3. Toque START (Iniciar).
CLOCK/TOOLS (Reloj/Herramientas)	Settings (Ajustes)	Permite adaptar los tonos audibles y el funcionamiento del horno a sus necesidades. Consulte la sección "Controles electrónicos del horno".
OVEN LIGHT (Luz del horno)	Luz de la cavidad del horno	La luz del horno se controla con un botón situado en el panel de control del horno. Con la puerta del horno cerrada, toque OVEN LIGHT (Luz de horno) para encender y apagar la luz. Cuando se abre la puerta del horno, la luz del horno se enciende automáticamente.

TECLA	FUNCIÓN	INSTRUCCIONES
TIMER (SET/OFF) (Ajustar/apagar el temporizador)	Temporizador del horno	<p>El temporizador puede fijarse en horas o minutos, hasta 23 horas y 59 minutos.</p> <ol style="list-style-type: none"> 1. Toque TIMER SET/OFF (Ajustar/apagar el temporizador). Vuelva a tocar TIMER SET/OFF (Ajustar/apagar el temporizador) para cambiar entre MIN/SEC, HR/MIN y OFF (Apagado). Si no se toma ninguna acción, el control continuará esperando que se ingrese una duración. 2. Toque los botones numéricos para establecer la duración. 3. Toque TIMER SET/OFF (Ajustar/apagar el temporizador). Si no se toca el botón, el control continuará esperando que se toque SET/START (Ajustar/encender). Cuando finaliza el tiempo establecido, se repetirán cuatro pitidos continuamente hasta que se toque el botón Timer Set/Off (Ajustar/apagar el temporizador). 4. Toque Timer Set/Off (Ajustar/apagar) en cualquier momento para cancelar el temporizador de la cocina o para detener los tonos de recordatorio. Si toca CANCEL (Cancelar), se apagará el horno respectivo. Sin embargo, el temporizador de la cocina puede apagarse solo si se usa TIMER SET/OFF (Ajustar/apagar el temporizador).
START (Inicio)	Inicio de cocción	<p>El botón Start (Inicio) inicia cualquier función del horno. Si no se toca Start (Inicio) en menos de 5 minutos después de haber tocado un botón, la función se cancelará y la hora del día aparecerá en la pantalla.</p>
CANCEL UPPER (Cancelar superior) CANCEL LOWER (Cancelar inferior)	Función de la estufa	<p>Los botones de cancelación detienen cualquier función del horno apropiado excepto el reloj y el temporizador.</p>
BAKE (Hornear) (Horno superior e inferior)	Hornear y asar	<ol style="list-style-type: none"> 1. Toque BAKE (Hornear) en el horno superior o inferior. Toque los botones numéricos para fijar una temperatura diferente de 350 °F (177 °C). El rango de hornear puede fijarse entre 145 °F y 550 °F (63 °C y 288 °C). 2. Toque START (Iniciar). Aparecerá "Lo" en la pantalla del horno si la temperatura real del horno es inferior a 100 °F (38 °C), y aparecerá Preheating (Pre calentamiento horno) el área inferior de la pantalla. Cuando la temperatura real del horno alcance los 100 °F (38 °C), la pantalla del horno comenzará a mostrar la temperatura a medida que aumenta. Cuando se alcanza la temperatura establecida, si está encendido, sonará un tono. 3. Toque CANCEL (Cancelar) para el horno seleccionado cuando termine de cocinar.
BROIL (Asar a la parrilla)	Broiling (Asar a la parrilla)	<p>Cierre la puerta.</p> <ol style="list-style-type: none"> 1. Toque BROIL (Asar a la parrilla) superior o inferior. Toque los botones numéricos para fijar una temperatura diferente de 550 °F (288 °C). El rango para asar a la parrilla puede fijarse entre 450 °F y 550 °F (232 °C y 288 °C). 2. Toque START (Iniciar). Escuchará un sonido largo. La temperatura del horno establecida aparecerá en la pantalla del horno hasta que se este se apague. 3. Toque CANCEL (Cancelar) para el horno seleccionado cuando termine de cocinar.
EASY CONVECT BAKE (Hornear por convección fácil)	Convect Bake (Hornear por convección)	<p>Antes de hornear por convección, coloque las parrillas de acuerdo con lo especificado en la sección "Posiciones de las parrillas y los utensilios para hornear".</p> <ol style="list-style-type: none"> 1. Toque CONVECT BAKE (Hornear por convección) superior o inferior. 2. Toque los botones numéricos para elegir si convertir la receta o no. 3. Si se selecciona "1: Yes" (1: Sí), verá en la a pantalla "easy convect bake" (Hornear fácil por convección). Luego toque los botones con numéricos para ingresar una temperatura. El rango de hornear por convección puede fijarse entre 170 °F y 550 °F (77 °C y 288 °C). La temperatura del horno se reducirá automáticamente 25 °F (14 °C) para EasyConvect™ Bake y la temperatura ajustada se mostrará en la pantalla, pero el tiempo de cocción no se ajustará. Luego toque los botones numéricos para ingresar un tiempo de cocción. NOTA: Si se ingresa una temperatura entre 170 °F y 194 °F (77°C y 90 °C), la pantalla mostrará solo 170 °F (77 °C) y no la temperatura reducida. 4. Si se selecciona "2: No", el horneado por convección continuará sin conversión. Toque el botón numérico "1" para usar Rapid Preheat (Pre calentamiento rápido) o "2" para continuar sin pre calentamiento rápido. Luego toque los botones numéricos para ingresar una temperatura. NOTA: Rapid Preheat (Pre calentamiento rápido) convect Bake (Horneado por convección) solo debe usarse para hornear en una rejilla. 5. Toque START (Iniciar). Aparecerá "Lo" en la pantalla del horno si la temperatura real del horno es inferior a 100 °F (38 °C), y aparecerá Preheating (Pre calentamiento) el área inferior de la pantalla. Cuando la temperatura real del horno alcance los 100 °F (38 °C), la pantalla del horno mostrará que la temperatura del horno aumenta. Cuando se alcanza la temperatura establecida, si está encendido, sonará un tono. 6. Toque CANCEL (Cancelar) para el horno seleccionado cuando termine de cocinar.

TECLA	FUNCIÓN	INSTRUCCIONES
EASY CONVECT ROAST (Rostizar por convección fácil)	Convect Roast (Rostizar por convección)	<ol style="list-style-type: none"> 1. Toque CONVECT ROAST (Hornear por convección) superior o inferior. 2. Toque los botones numéricos para elegir si convertir la receta o no. 3. Si se selecciona "1: Yes" (1: Sí), verá en la pantalla "easy convect roast" (rostizar fácil por convección). Toque los botones numéricos para ingresar una temperatura. El rango para rostizar por convección puede fijarse entre 170 °F y 550 °F (77 °C y 288 °C). Toque los botones numéricos para ingresar un tiempo de cocción. El tiempo de cocción se ajustará automáticamente al 80% del tiempo seleccionado y el tiempo de cocción ajustado aparecerá en la pantalla, pero la temperatura no se ajustará. 4. Si se selecciona "2: No", el rostizado por convección continuará sin conversión. Toque los botones numéricos para ingresar una temperatura. 5. Toque START (Iniciar). Escuchará un sonido largo. La temperatura del horno establecida aparecerá en la pantalla del horno hasta que se este se apague. 6. Toque CANCEL (Cancelar) para el horno seleccionado cuando termine de cocinar.
CONVECT MODE (Modo de cocción por convección)	Convect Broil (Asar a la parrilla por convección)	<p>Cierre la puerta.</p> <ol style="list-style-type: none"> 1. Toque CONVECT BROIL (Hornear por convección) superior o inferior. Toque los botones numéricos para fijar una temperatura diferente de 550 °F (288 °C). El rango para asar a la parrilla a la parrilla por convección puede fijarse entre 450 °F y 550 °F (232 °C y 288 °C). 2. Toque START (Iniciar). La temperatura del horno establecida aparecerá en la pantalla del horno hasta que se este se apague. 3. Toque CANCEL (Cancelar) para el horno seleccionado cuando termine de cocinar.
PROOF (Leudar)	Cómo leudar pan	<ol style="list-style-type: none"> 1. Toque PROOF (Leudar) superior o inferior. La pantalla mostrará 100 °F (38 °C). 2. Toque START (Iniciar). Deje que la masa se esponje hasta que esté casi al doble de su tamaño, luego revise a los 20 a 25 minutos. El tiempo de leudado puede variar según el tipo y la cantidad de masa. 3. Toque CANCEL (Cancelar) para el horno seleccionado cuando termine de cocinar. Consulte la sección "Cómo hacer leudar el pan" para obtener más información.
STOP TIME (Hora de detención)	Delayed start (Inicio diferido)	<p>El botón Stop Time (Hora de detención) se utiliza para introducir la hora de inicio de una función de horno con inicio diferido.</p> <p>La hora de detención no debe usarse para alimentos como panes y pasteles, ya que es posible que no se horneen correctamente.</p> <p>Para establecer el tiempo de cocción o el tiempo de cocción diferido, vea la sección "Cocción programada".</p>
COOK TIME (Tiempo de cocción)	Cocción programada	<p>La función Cook Time (Hora de cocción) permite que el horno cocine durante tiempo determinado y/o se apague automáticamente.</p> <p>Para establecer el tiempo de cocción o el tiempo de cocción diferido, vea la sección "Cocción programada".</p>

Controles electrónicos del horno



- A. Ajustes del horno
- B. Pantalla del horno
- C. Botones numéricos
- D. Temporizador de la cocina
- E. Cancelación de horno inferior y superior (modelos de horno doble) Cancelar (modelos de horno sencillo)
- F. Inicio/Bloqueo de controles
- G. Luz del horno
- H. Autolimpieza
- I. Reloj/herramientas
- J. Ajustes de cocción por convección
- K. Hora de detención
- L. Tiempo de cocción

Pantalla

Cuando se suministre energía al horno por primera vez, la pantalla del temporizador destellará "12:00" y aparecerá "Clock-Enter Time" (Reloj-Ingresa tiempo) en la pantalla. Introduzca la hora tocando los botones. Toque START (Inicio) para permitir la operación. Para permitir el funcionamiento sin establecer la hora, toque START (Inicio) o CANCEL (Cancelar).

Pantalla del horno

Cuando el o los hornos se encuentran funcionando, esta pantalla muestra la temperatura del horno inferior, las fuentes de calor y la hora de inicio. En los modelos de horno doble, esta pantalla también mostrará cuál se está configurando. El símbolo de la cavidad superior representa el horno superior; el símbolo de la cavidad inferior representa el horno inferior.

Además, durante la cocción programada, esta pantalla también muestra una cuenta regresiva y el tiempo de detención (si se ingresó).

Hora del día, pantalla del temporizador

Cuando el o los hornos no están en uso, la pantalla muestra la hora del día o la cuenta regresiva.

Start (Inicio)

El botón START (Inicio) inicia todas las funciones de los hornos, excepto el modo de descanso. Si el botón Start (Inicio) no se toca en 5 segundos después de tocar otra tecla, aparecerá "START?" en la pantalla del horno como recordatorio. Si el botón Start (Inicio) no se toca 5 minutos después de tocar otro botón, la pantalla del horno volverá al modo inactivo y la función programada se cancelará.

Cancelar inferior, Cancelar superior y Cancelar

Los botones Lower Cancel (Cancelar inferior) Upper Cancel (Cancelar superior) y Cancel (Cancelar) detienen las funciones respectivas del horno, excepto para el reloj, el temporizador de cocina y el bloqueo de botón. Es posible que los ventiladores enfriadores sigan funcionando incluso después de que una función del horno se ha cancelado o completado, según la temperatura del horno.

Tonos

Los tonos son señales audibles que indican lo siguiente:

Un bip

- Toque de un botón válido
- Se ha introducido una función

Un timbre

- Se ha completado el ciclo de precalentamiento

Tres bips

- Toque de un botón no válido

Tres timbres

- Fin de un ciclo de cocción

Cuatro timbres

- Cuando el temporizador llega a cero
Incluye el uso del temporizador de cocina para otras funciones además de cocinar.

Volumen de los tonos

El volumen está prestablecido en bajo, pero puede cambiarse a alto.

Para cambiar: Toque TOOLS (Herramientas) o CLOCK/TOOLS (Reloj/herramientas), y luego "4" para alternar el volumen entre alto y bajo.

Todos los tonos

El valor predeterminado para todos los tonos es encendido, pero se puede cambiar a apagado.

Para encender/apagar: Toque TOOLS (Herramientas) o CLOCK/TOOLS (Reloj/herramientas), y luego "3" para alternar los tonos entre encendido y apagado.

Tonos de fin de ciclo y de recordatorio

Los tonos de fin de ciclo de cocción programada y de recordatorio están preestablecidos, pero se pueden desactivar. Si se han apagado todos los tonos, los correspondientes al fin de ciclo y de recordatorio no pueden encenderse de forma independiente.

Cómo encender/apagar los tonos: Toque TOOLS (Herramientas) o CLOCK/TOOLS (Reloj/herramientas), y luego "5" para encender. Toque TOOLS (Herramientas) y luego "5" para apagar.

NOTA: Si apaga este tono de recordatorio no apagará el tono recordatorio de la cocina.

Fahrenheit and Celsius (Fahrenheit y Celsius)

La temperatura está prefijada en Fahrenheit; puede cambiarse a Celsius.

Para cambiar: Toque TOOLS (Herramientas), y luego "2" para alternar la temperatura entre Fahrenheit y Celsius.

Cuando la temperatura está en Fahrenheit, "°F" se verá después de la temperatura del horno.

Cuando la temperatura está en Celsius, "°C" se verá después de la temperatura del horno.

Herramientas

El botón de selección Tools (Herramientas) permite acceder a 9 funciones ocultas dentro del control electrónico del horno. Con estas funciones escondidas puede ajustar el reloj, cambiar la temperatura del horno entre Fahrenheit y Celsius, encender y apagar las señales audibles y las indicaciones, ajustar la calibración del horno, cambiar el idioma y encender el modo demo.

El modo Sabbath (Sabbat) también se configura mediante el botón de selección Tools (Herramientas).

Forma de uso: Toque CLOCK/ TOOLS (Reloj/herramientas). La pantalla del horno se desplazará a través de las diversas herramientas, comenzando en "1" y terminando automáticamente en "9". También se puede tocar el botón Tools (Herramientas) de manera repetida para desplazarse manualmente por la lista de herramientas.

TOOLS (Herramientas)	FUNCIÓN ESCONDIDA
1	Clock (Reloj)
2	Conversión de Fahrenheit y Celsius
3	Encender apagar el sonido
4	Sonido alto o bajo
5	Encender o apagar el tono de finalización
6	Calibración
7	Sabbat
8	Idioma
9	Modo de demostración

Clock (Reloj)

Este reloj es de 12 horas. Antes de ajustarlo, asegúrese de que los hornos, el temporizador de cocina y la cocción programada estén desactivados.

Para ajustar:

1. Toque CLOCK/ TOOLS (Reloj/herramientas).
2. Toque el botón "1".
3. Seleccione Clock (Reloj), luego toque los botones numéricos para establecer la hora del día.

4. Toque CLOCK/ TOOLS (Reloj/herramientas) o START (Iniciar).

Temporizador/Temporizador de cocina

El temporizador/temporizador de cocina puede establecerse en minutos y segundos u horas y minutos, y hace la cuenta regresiva del tiempo configurado.

NOTA: El temporizador/temporizador de la cocina no pone en marcha ni detiene los hornos.

Bloqueo de controles

El bloqueo de controles desactiva las teclas del panel de control para evitar el uso accidental de los hornos. El bloqueo de controles permanece activado después de un corte de energía si se ajusta antes de que se produzca el corte. Cuando el control está bloqueado, solo funcionan los botones Start (Inicio), Timer Set/Off (Configurar/apagar el temporizador) y Oven Lights (Luces del horno).

El bloqueo de controles está desactivado de manera predeterminada, pero puede activarse.

Para bloquear los controles: Mantenga oprimido START (Inicio) por aproximadamente tres segundos, hasta que aparezca "Control Locked" (Control bloqueado) en la línea de texto inferior y aparezca el ícono del candado en la pantalla.

Para desbloquear los controles: Repita para desbloquear. Aparece "Control Unlocked" (Control desbloqueado) en la línea de texto inferior y desaparecerá el ícono del candado.

Control de la temperatura del horno

IMPORTANTE: No use un termómetro para medir la temperatura del horno. Los elementos se encenderán y se apagarán según sea necesario para mantener una temperatura uniforme, pero es posible que funcione en algún momento ligeramente caliente o frío a causa de este ciclo. La apertura del horno afecta a los ciclos de los elementos y a la temperatura.

El horno proporciona temperaturas precisas y se ha sometido a pruebas exhaustivas en la fábrica. Sin embargo, puede cocinar más rápido o más lento que su horno anterior, con diferencias de horneado o de dorado final. Si es necesario, la calibración de la temperatura se puede ajustar en grados Fahrenheit o Celsius.

En los hornos dobles, el horno superior y el inferior se pueden calibrar individualmente de forma independiente.

Un signo de menos significa que el horno estará más frío con el valor que se muestra en la pantalla. La ausencia de signo de menos significa que el horno estará a temperatura más caliente con el valor que aparece en la pantalla. Utilice la siguiente tabla como guía.

NOTA: La pantalla del horno sigue mostrando el ajuste de temperatura original y no refleja el cambio de calibración. Por ejemplo, si está ajustado en 350 °F (177 °C) y se calibra a -20, la pantalla seguirá mostrando 350 °F (177 °C).

AJUSTE EN °F (CAMBIO AUTOMÁTICO A °C)	COCINA LOS ALIMENTOS
---	----------------------

10 °F (6 °C)	... un poco más
20 °F (12 °C)	... moderadamente más
30 °F (18 °C)	... mucho más
0 °F (0 °C)	ajuste predeterminado
-10 °F (-6 °C)	... un poco menos
-20 °F (-12 °C)	... moderadamente menos
-30 °F (-18 °C)	... mucho menos

Para regular la calibración de la temperatura del horno:

1. Toque TOOLS (Herramientas), y luego "6" para ajustar la calibración.
2. Toque el botón "1" para seleccionar el horno superior o el botón "2" para seleccionar el horno inferior.
La calibración de cada horno se puede ajustar de manera independiente.
3. Toque "3" para incrementar y "6" para disminuir la temperatura.
4. Toque START (Inicio) para finalizar la calibración.

Modo Sabbath (Sabbat)

El modo Sabbath (Sabbat) fija el horno para que permanezca encendido en un ajuste para hornear hasta que se apague. También puede programarse el modo Sabbath (Sabbat) para mantener el horno encendido solamente por una parte del Sabbath.

Cuando el modo Sabbath (Sabbat) está establecido, los botones permitidos son: los de números, Start (Inicio), Tools (Herramientas) (solo para desactivar) y Cancel (Cancelar). La pantalla mostrará información sobre la selección de la temperatura del horno deseada.

Cuando se configura el modo Sabbath (Sabbat), el horno superior se deshabilita y no se permite ninguna función. Cuando se abra o se cierre la puerta del horno, la luz no se encenderá ni apagará y los elementos calentadores no se encenderán ni apagará de inmediato.

Si hay un corte de energía cuando el modo Sabbath (Sabbat) está ajustado, el horno permanecerá en ese modo, pero ya no cocinará activamente. El indicador "ON" (Encendido) ya no estará iluminado. Toque los botones CANCEL (Cancelar) superior o inferior para regresar al modo de funcionamiento normal (no modo Sabbath, no cocinar).

Para habilitar:

Antes de fijar el modo Sabbath (Sabbat) de una manera regular, el horno deberá primero activarse una vez. En los modelos de hornos dobles, el siguiente paso habilitará ambos.

1. Toque CLOCK/TOOLS (Reloj/Herramientas), y luego toque el botón con el número 7. Aparecerá SABBATH MODE ON (Modo Sabbath encendido) en la pantalla del horno por aproximadamente cinco segundos.

Para deshabilitar:

Para desactivar el o los hornos de la función de modo de Sabbath (Sabbat), repita los pasos anteriores. Consulte la sección "Para habilitar". Cuando el o los hornos están deshabilitados, aparecerá SABBATH MODE OFF (Modo Sabbath apagado) en la pantalla y permanecerá encendido por aproximadamente cinco segundos.

El modo Sabbath (Sabbat) no podrá ajustarse normalmente hasta que vuelva a habilitarse.

En los modelos de hornos dobles, estos pasos deshabilitará ambos.

Para establecer regularmente, sin tiempo para activar:

Se debe habilitar el modo Sabbath (Sabbat) antes de poner en marcha el ciclo Bake (Hornear). Consulte la sección "Para habilitar".

1. Toque **BAKE** (Hornear) superior o inferior.
Toque los botones numéricos para fijar una temperatura diferente de 350 °F (177 °C). El rango de hornear puede fijarse entre 145 °F y 550 °F (63 °C y 288 °C).
2. Toque **START** (Iniciar).
3. Toque **CLOCK/TOOLS** (Reloj/Herramientas) y luego el botón con el número 7. Aparecerá **SABBATH MODE** (Modo Sabbath) en la pantalla del horno.

Para establecer regularmente, programado:

Se debe habilitar el modo Sabbath (Sabbat) antes de poner en marcha el ciclo Bake (Hornear). Consulte la sección "Para habilitar".

1. Toque **BAKE** (Hornear) superior o inferior.
Toque los botones numéricos para fijar una temperatura diferente de 350 °F (177 °C). El rango de hornear puede fijarse entre 145 °F y 550 °F (63 °C y 288 °C).
2. Toque **COOK TIME** (Tiempo de cocción).
3. Toque los botones numéricos para ingresar la duración del tiempo del modo Sabbath (Sabbat) hasta 11 horas 59 minutos.
4. Toque **START** (Iniciar). El horno empezará un ciclo de horneado programado.
5. Toque **CLOCK/TOOLS** (Reloj/Herramientas), y luego toque el botón con el número 7. Aparecerá **SABBATH MODE** (Modo Sabbath) en la pantalla del horno. La hora de inicio y de detención aparecerán en la pantalla inferior del horno.
6. Cuando se llega a la hora de detención, el horno se apagará automáticamente. El control del horno permanecerá en el modo Sabbath (Sabbat) hasta que se toque el botón **Cancel** (Cancelar).

Cambio de temperatura

La temperatura del horno puede cambiarse cuando los hornos están en el modo Sabbath (Sabbat). No sonará ningún tono ni cambiará la pantalla. Los elementos calentadores no se encenderán ni se apagaran por un tiempo al azar que puede variar entre 16 y 24 segundos. Puede pasar hasta media hora para que el horno cambie la temperatura.

Los botones numéricos de 1 a 0 representan temperaturas. Utilice la siguiente tabla como guía.

BOTÓN NUMÉRICO	TEMPERATURA DEL HORNO
1	170 °F (76 °C)
2	200 °F (93 °C)
3	225 °F (107 °C)
4	250 °F (121 °C)
5	300 °F (148 °C)
6	325 °F (162 °C)
7	350 °F (176 °C)
8	375 °F (190 °C)
9	400 °F (204 °C)
0	450 °F (232 °C)

Para cambiar la temperatura:

Inicialmente, en los hornos dobles, las cavidades pueden establecerse para temperaturas independientes. Sin embargo, una vez que el modo Sabbath (Sabbat) está funcionando, si se cambia la temperatura, ambas cavidades usarán la nueva temperatura.

1. Toque el botón numérico de la tabla
2. Toque **START** (Iniciar).

USO DEL HORNO

Los olores y el humo son normales cuando el horno se usa las primeras veces o cuando tiene suciedad profunda.

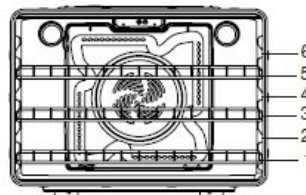
Mientras el horno está en uso, los elementos calentadores no permanecerán encendidos, sino que se encenderán y apagaran a lo largo del funcionamiento del horno.

IMPORTANTE: La salud de algunas aves es sumamente sensible a los gases emanados. La exposición a las emanaciones puede ocasionar la muerte de ciertas aves. Siempre traslade las aves a otra habitación cerrada y bien ventilada.

Posiciones de la parrilla y los utensilios de cocina

Use como guías la ilustración y la tabla a continuación.

Posiciones de las parrillas - Horno superior e inferior



Broiling (Asar a la parrilla)

Alimentos	Posiciones de la parrilla
Asado máximo	6

Cocción tradicional

Alimentos	Posiciones de la parrilla
Asados grandes, pavos, pasteles de ángel, roscas bundt, panes rápidos, tartas	1 o 2
Panes de levadura, guisados, carne y aves	2
Galletas, pastelillos, panecillos, pasteles	2 o 3 cuando se hornea en una sola parrilla; 2 y 5 cuando se utilizan varias parrillas

Cocción por convención (solo para modelos de convección)

Ajustes del horno	Número de parrillas utilizadas	Posiciones de la parrilla
Rapid Preheat Bake (Hornear con precalentamiento rápido)	1	3
Rapid Preheat Convection Bake (Hornear por convección con precalentamiento rápido)	1	3
Convection Bake (Hornear por convección)	1	1, 2 o 3
Convection Bake (Hornear por convección)	2	2 y 5
Convection Bake (Hornear por convección)	3	1, 3 y 5
Asar por convección	1	1 o 2
Convection Broil (Asar a la parrilla por convección)	1	4, 5 o 6

Utensilios para hornear

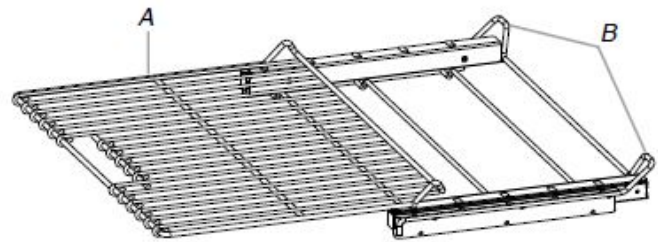
Para una cocción uniforme, el aire caliente debe poder circular. Para obtener mejores resultados, deje 2" (5 cm) de espacio alrededor del utensilio para hornear y las paredes del horno. Utilice la siguiente tabla como guía.

Número de bandejas	Posición en la parrilla
1	Centro de la parrilla.
2	Lado a lado o ligeramente en zigzag.
3 o 4	Consulte las imágenes de las posiciones de las parrillas en esta sección para ver las recomendaciones de colocación de las bandejas.

Parrilla deslizable extensible SatinGlide™

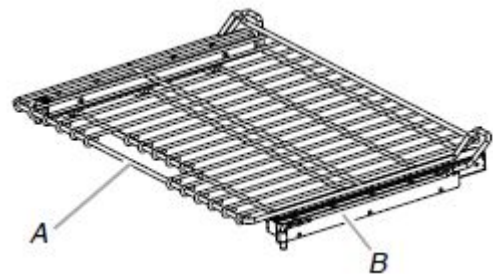
La parrilla™ deslizable extensible permite un acceso fácil para mover y retirar alimentos del horno. Puede utilizarse en las posiciones 1 a 6 de la parrilla.

Posición abierta



A. Parrilla deslizable extensible SatinGlide™
B. Estante deslizable

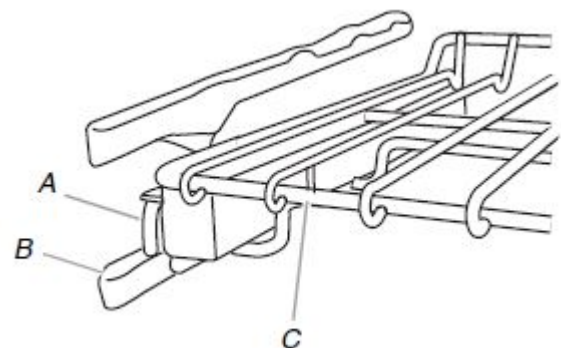
Posición cerrada y enganchada



A. Parrilla deslizable extensible SatinGlide™
B. Estante deslizable

Para quitar la parrilla deslizable extensible SatinGlide™:

1. Deslice la parrilla completamente de modo que se enganche con el estante deslizable.
2. Con las dos manos, levante el borde delantero de la parrilla y empuje el estante deslizable a la pared trasera del horno, de manera que el borde delantero del estante deslizable descansa en las guías de la parrilla. El borde delantero de la parrilla y el estante deslizable deben estar más altos que el borde posterior.



A. Estante deslizable
B. Guía de la parrilla
C. Parrilla deslizable extensible SatinGlide™

3. Jale la parrilla y el estante deslizable hacia fuera.

Para reemplazar la parrilla deslizable extensible SatinGlide™:

1. Usando ambas manos, sujete el frente de la parrilla enganchada y el estante deslizable. Coloque la parrilla cerrada y el estante deslizable en las guías de la parrilla.
2. Con ambas manos, levante el borde delantero de la parrilla y el estante deslizable juntos.

- Empuje la parrilla y el estante deslizable lentamente hacia el fondo del horno, hasta que el borde posterior de la parrilla se detenga en el extremo de la guía de la parrilla.

Para evitar que se dañen los estantes deslizables, no coloque más de 25 lb (11,4 kg) de peso sobre la parrilla o 35 lb (15,9 kg) en la parrilla deslizable para accesorios eléctricos (en algunos modelos).

No lave la parrilla deslizable extensible SatinGlide™ en el lavavajillas. Puede quitar el lubricante de la parrilla y afectar su capacidad de deslizamiento.

Para obtener más información, consulte la sección “Limpieza general” del Manual del propietario.

Utensilios para hornear

El material de los utensilios para hornear afectará los resultados de la cocción. Siga las recomendaciones del fabricante y use el tamaño de utensilio de hornear recomendado en la receta. Utilice la siguiente tabla como guía.

UTENSILIO PARA HORNEAR/ RESULTADOS	RECOMENDACIONES
Aluminio de color claro <ul style="list-style-type: none"> ■ Cortezas de color dorado claro ■ Dorado uniforme 	<ul style="list-style-type: none"> ■ Use la temperatura y el tiempo recomendados en la receta.
Aluminio de color oscuro y otros utensilios para hornear con acabado oscuro, mate o antiadherente <ul style="list-style-type: none"> ■ Cortezas crujientes y doradas 	<ul style="list-style-type: none"> ■ Puede necesitar reducir la temperatura de horneado ligeramente. ■ Use el tiempo de horneado sugerido. ■ Para tartas, panes y guisados, use la temperatura recomendada en la receta. ■ Coloque la parrilla en el centro del horno.
Moldes o bandejas para hornear termoaislados <ul style="list-style-type: none"> ■ Poco o nada de dorado en el fondo 	<ul style="list-style-type: none"> ■ Siga las recomendaciones de parrillas en la sección “Colocación de parrillas y utensilios para hornear”. ■ Puede necesitar aumentar el tiempo de horneado.
Acero inoxidable <ul style="list-style-type: none"> ■ Cortezas de color dorado claro ■ Dorado desigual 	<ul style="list-style-type: none"> ■ Puede necesitar aumentar el tiempo de horneado.
Cerámica de gres/ Piedra para hornear <ul style="list-style-type: none"> ■ Cortezas crujientes 	<ul style="list-style-type: none"> ■ Siga las instrucciones del fabricante.
Utensilios de vidrio resistentes al horno, vitrocerámica o cerámica <ul style="list-style-type: none"> ■ Cortezas crujientes y doradas 	<ul style="list-style-type: none"> ■ Puede necesitar reducir la temperatura de horneado ligeramente.

Termómetro para carnes

No todos los modelos tienen una sonda de temperatura. Para los modelos que no tengan una sonda de temperatura, use un termómetro para carnes para determinar si las carnes, aves y pescado están cocidos al término deseado. La temperatura interna, no la apariencia, se debe utilizar para determinar el término de cocción.

Pre calentamiento y temperatura del horno

Preheating (Pre calentamiento)

Cuando comience un ciclo Bake (Hornear) o Convection Bake (Hornear por convección) o Convection Roast (Rostizar por convección), el horno empezará a pre calentarse después de que se presione el botón Start (Inicio). El horno tardará de 12 a 17 minutos aproximadamente para alcanzar 350 °F (177 °C) con todas las parrillas de horno provistas con el horno dentro de la cavidad. Cuanto mayor sea la temperatura, más tiempo tomará pre calentarse el horno. El ciclo Preheat (Pre calentamiento) aumenta rápidamente la temperatura del horno. La temperatura real del horno superará la temperatura fijada para compensar la pérdida de calor cuando se abra la puerta del horno para introducir los alimentos. Esto asegura que el horno comience a la temperatura correcta cuando se coloquen los alimentos en el horno. Introduzca los alimentos cuando suene el tono de pre calentamiento. No abra la puerta durante el pre calentamiento, antes de que suene el tono.

Temperatura del horno

Mientras están en uso, los elementos del horno se encenderán y apagarán según sea necesario para mantener una temperatura constante. Pueden calentarse o enfriarse ligeramente en cualquier momento debido a este ciclo. Si se abre la puerta del horno mientras se encuentra en uso, saldrá el aire caliente y el horno se enfriará, lo que podría afectar el tiempo y el rendimiento de la cocción. Se recomienda usar la luz del horno para controlar el progreso de la cocción.

Hornear y asar

IMPORTANTE: El ventilador y el elemento de convección pueden funcionar durante la función Bake (Hornear) para mejorar el rendimiento y la distribución.

El horno tardará de 12 a 17 minutos aproximadamente para alcanzar 350 °F (177 °C) con todas las parrillas de horno dentro de la cavidad. El ciclo de pre calentamiento aumenta rápidamente la temperatura del horno. Cuanto mayor sea la temperatura, más tiempo tomará pre calentarse el horno. Los factores que pueden afectar a los tiempos de pre calentamiento son la temperatura ambiente, la temperatura del horno y el número de parrillas. Para reducir el tiempo de pre calentamiento, pueden sacarse las parrillas del horno que no se usen antes de pre calentarlo. La temperatura real del horno superará la temperatura fijada para compensar la pérdida de calor cuando se abra la puerta del horno para introducir los alimentos. Esto asegura que el horno tendrá la temperatura adecuada al introducir los alimentos. Introduzca el alimento cuando suene el tono de pre calentamiento. No abra la puerta durante el pre calentamiento, antes de que suene el tono.

Durante el horneado y el asado, los elementos de horneado y asado a la parrilla se encienden y se apagan en intervalos para mantener la temperatura del horno.

Dependiendo del modelo, si se abre la puerta del horno durante el horneado o el asado, los elementos de calor (de horneado y de asado) se apagarán unos 30 segundos después de la apertura de la puerta. Se volverán a encender aproximadamente 30 segundos después de que la puerta se cierre.

Broiling (Asar a la parrilla)

El asado a la parrilla usa calor radiante directo para cocinar los alimentos.

El elemento se enciende y se apaga en intervalos para mantener la temperatura del horno.

IMPORTANTE: Cierre la puerta para garantizar una temperatura adecuada para asar a la parrilla.

Cuando se abra la puerta del horno mientras se asa a la parrilla, el elemento para asar se apagará en aproximadamente 30 segundos. Cuando se cierre la puerta del horno, el elemento se volverá a encender en aproximadamente 30 segundos.

- Para obtener resultados óptimos, utilice una charola para asar y una parrilla. Está diseñado para drenar los jugos y ayudar a evitar salpicaduras y humo.

Si desea comprar un kit de charola para asar, puede realizar un pedido. Para obtener información de contacto, consulte la Guía rápida de inicio.

- Para un drenaje adecuado, no cubra la rejilla con papel de aluminio. La base de la charola para asar puede cubrirse con papel de aluminio para facilitar la limpieza.
- Recorte el exceso de grasa para reducir las salpicaduras. Corte la grasa restante de los bordes para evitar que se curven.
- Jale la parrilla del horno hasta la posición de tope antes de dar vuelta o de retirar los alimentos. Use pinzas para dar vuelta los alimentos y así evitar que pierdan jugos. Los cortes muy delgados de pescado, aves o carne tal vez no necesiten darse vuelta.
- Después de asar a la parrilla, saque la charola del horno cuando retire el alimento. Si se dejan derrames en el horno caliente, se hornearán en la charola, lo que hará la limpieza más difícil.

Convección

En un horno de convección, el aire caliente que circula por el ventilador distribuye el calor de manera más uniforme. Este movimiento de aire caliente ayuda a mantener una temperatura uniforme en todo el horno, cocina los alimentos más uniformemente a la vez que atrapa la humedad.

Con el modo de horneado por convección, la mayoría de los alimentos, pueden cocinarse bajando las temperaturas de cocción 25 °F (14 °C). El tiempo de cocción puede acortarse significativamente cuando se usa Convection Roast (Rostizar por convección), especialmente para pavos grandes y asados.

- Es importante no cubrir los alimentos con tapas o papel de aluminio para que las superficies permanezcan expuestas al aire circulante y se puedan dorar y tostar.
- Mantenga la pérdida de calor al mínimo y abra la puerta del horno solo cuando sea necesario. Se recomienda usar la luz del horno para controlar el progreso.
- Elija bandejas para galletas sin lados y charolas para asar con lados más bajos para permitir que el aire se mueva libremente alrededor de los alimentos.
- Revise el punto de cocción de los alimentos horneados pocos minutos antes del tiempo mínimo de cocción y use un método como un palillo.
- Use un termómetro para carnes o la sonda de temperatura para determinar el punto de cocción de carnes y aves. Revise la temperatura de la carne de cerdo y las aves en 2 o 3 lugares diferentes.

Horneado por convección (en algunos modelos)

El elemento de convección está oculto en el panel trasero de la cavidad del horno y con ayuda del ventilador de convección proporciona un calor equilibrado y eficiente.

El horneado por convección se puede usar para hornear pasteles y confituras delicadas, así como alimentos en varias parrillas. Es útil escalonar los elementos en las parrillas para permitir un flujo todavía más uniforme del calor. Si el horno está lleno, es posible que se necesite más tiempo de cocción.

Al cocinar una comida en el horno con varios tipos distintos de alimentos, asegúrese de seleccionar recetas que requieran temperaturas similares. Los utensilios de cocina deben colocarse en el horno con un espacio mínimo de 2" (5 cm) entre los utensilios y los costados del horno.

Durante el precalentamiento para hornear, el elemento de convección, el elemento para asar a la parrilla y el elemento CleanBake™ calientan la cavidad del horno. Después del precalentamiento, el elemento de convección, el elemento para asar a la parrilla y el elemento CleanBake™ se encienden y se apagan en intervalos a fin de mantener la temperatura del horno, mientras que el ventilador hace que el aire caliente circule.

Si se abre la puerta del horno durante el horneado por convección, el ventilador se apaga de inmediato y se enciende de inmediato cuando la puerta se cierra. Los elementos de convección horneado y asado a la parrilla se apagan aproximadamente 30 segundos después de que se abra la puerta del horno. Se volverán a encender aproximadamente 30 segundos después de que la puerta se cierre.

NOTA: es normal que el ventilador de convección funcione durante los ciclos que no son de convección y durante el precalentamiento.

- Reduzca la temperatura de la receta 25 °F (14 °C). Es posible que deba reducir también el tiempo de cocción.

Para Convection Bake (Hornear por convección):

Antes de hornear por convección, coloque las parrillas de acuerdo con lo especificado en la sección "Posiciones de las parrillas y los utensilios para hornear".

Rostizado por convección (en algunos modelos)

El asado por convección se puede utilizar para asar carnes y aves. Durante el asado por convección, los elementos para asar, convección y CleanBake™ (en algunos modelos) se encenderán y apagarán en intervalos para mantener la temperatura del horno, mientras el ventilador hace circular el aire caliente.

Si se abre la puerta del horno durante el asado por convección, el ventilador se apaga de inmediato y se enciende de inmediato cuando la puerta se cierra. Los elementos de horneado, asado y convección se apagan aproximadamente 30 segundos después de que se abra la puerta. Se volverán a encender aproximadamente 30 segundos después de que la puerta se cierre.

NOTA: es normal que el ventilador de convección funcione durante los ciclos que no son de convección y durante el precalentamiento.

Para asar por convección

Antes de asar por convección, coloque las parrillas de acuerdo con lo especificado en la sección "Posiciones de las parrillas y los utensilios para hornear". No es necesario esperar a que el horno se precaliente antes de introducir los alimentos, a menos que la receta lo recomiende.

Asar a la parrilla por convección (en algunos modelos)

Durante el asado a la parrilla por convección, el elemento para asar se enciende y se apaga en intervalos a fin de mantener la temperatura del horno, mientras que el ventilador hace que el aire caliente circule.

El valor predeterminado de la temperatura es 550 °F (288 °C), pero se puede cambiar a otra temperatura. Los tiempos de cocción variarán según la posición de la parrilla y la temperatura y puede ser necesario ajustarlos.

Si se abre la puerta del horno durante el asado a la parrilla por convección, el ventilador se apaga de inmediato y se enciende de inmediato cuando la puerta se cierra. Los elementos de asado a la parrilla se apagan aproximadamente 30 segundos después de que se abra la puerta del horno. Se volverán a encender aproximadamente 30 segundos después de que la puerta se cierre.

NOTA: Es normal que el ventilador de convección funcione durante los ciclos que no son de convección y durante el precalentamiento.

Para asar a la parrilla por convección:

Deje que el horno precaliente por 5 minutos. Coloque el alimento sobre la rejilla sin calentar en una charola para asar y después colóquela en el centro de la parrilla del horno con el costado más largo paralelo a la puerta.

Cómo leudar pan

Al leudar el pan, la masa se prepara activando la levadura. Se recomienda leudar dos veces, a menos que la receta indique otra cosa.

Para leudar

Antes del primer leudado, coloque la masa en un recipiente ligeramente engrasado y cúbrala sin apretar con papel encerado o una envoltura de plástico cubierta con manteca. Coloque sobre las guías de la parrilla 2. Consulte el diagrama de la sección "Posiciones de la parrilla y los utensilios de cocina". Cierre la puerta.

1. Toque PROOF (Leudar) superior o inferior. La pantalla mostrará 100 °F (38 °C).
2. Toque START (Iniciar).

Deje que la masa se esponje hasta que esté casi al doble de su tamaño, luego revise a los 20 a 25 minutos. El tiempo de leudado puede variar según el tipo y la cantidad de masa.

3. Toque CANCEL (Cancelar) para el horno seleccionado cuando termine el leudado.

Antes de poner a leudar la masa por segunda vez, dele forma, colóquela en los moldes para hornear y cúbrala ligeramente. Siga los mismos pasos de ubicación y de control indicados anteriormente. Antes de hornear, retire el papel encerado o la envoltura de plástico.

Sonda de temperatura (horno único, superior, y en algunos modelos, inferior)

La sonda para temperatura mide con exactitud la temperatura interna de carnes aves y guisados con líquido y se debe usar para determinar el punto de cocción de la carne y el pollo. La sonda para temperatura solo debe usarse con los modos Bake (Hornear) Convect Bake (Hornear por convección) o Convect Roast (Rostizar por convección).

Siempre desenchufe y retire la sonda del horno cuando retire los alimentos.

Cómo usar

Antes de usar, inserte la sonda en el alimento. (Para las carnes, el extremo de la sonda se debe ubicar en el centro de la parte con más espesor de la carne y no dentro de grasa ni tocando un hueso). Coloque los alimentos dentro del horno y conecte la sonda de temperatura en el conector. Mantenga la sonda tan alejada de la fuente de calor como sea posible. Cierre la puerta del horno.

NOTA: La sonda para temperatura debe insertarse en el alimento antes de seleccionar el modo.

1. Toque los botones con números para ingresar una temperatura para la sonda. La temperatura de sonda corresponde a la temperatura interna que desea que tengan los alimentos cuando están listos. Puede establecer la temperatura entre 110 °F y 200 °F (43 °C y 93 °C).
2. Toque BAKE (Hornear) superior o inferior, CONVECT BAKE (Hornear por convección) o CONVECT ROAST (Asar por convección).
3. Toque START (Iniciar).

La temperatura establecidas del horno aparecerá en la pantalla del horno durante la cocción.

"Lo°" aparecerá como la temperatura de la sonda hasta que la temperatura interna de los alimentos alcance los 45 °F (7 °C). La pantalla mostrará el incremento de temperatura.

Cuando se alcance la temperatura establecida para la sonda, el horno se apagará automáticamente y aparecerá "Cooking Complete" (Cocción completa) en la pantalla del horno.

4. Toque CANCEL (Cancelar) para el horno seleccionado o abra la puerta del horno para borrar la pantalla y/o detener los tonos de recordatorio.
5. Siempre desenchufe y retire la sonda del horno cuando retire los alimentos. El símbolo de la sonda permanecerá encendida en la pantalla hasta que la desconecte.

Cómo cambiar la temperatura de la sonda durante un ciclo de cocción

1. Toque un modo de cocción habilitado para sonda, que son Bake (Hornear), Convect Bake (Hornear por convección) o Convect Bake (Hornear por convección) o Convect Bake (Hornear por convección) o Convect Roast (Rostizar por convección).
2. Siga los pasos del 1 al 5 de la sección "Cómo usar".

Cocción programada

La función Timed Cooking (Cocción programada) permite programar el horno para que se encienda a una determinada hora del día, cocine durante un tiempo establecido y/o se apague automáticamente. El inicio diferido no debe usarse para alimentos como panes y pasteles, ya que es posible que no se horneen correctamente.

Para establecer un tiempo de cocción

1. Seleccione una función de cocción.
Toque los botones numéricos para ingresar una temperatura diferente de la que aparece en la pantalla.
La Cocción programada se puede utilizar con la función Bread Proof (Leudar pan), pero la temperatura no es ajustable.
2. Toque COOK TIME (Tiempo de cocción).
3. Toque los botones numéricos para ingresar la duración del tiempo de cocción.
4. Toque START (Iniciar).
La cuenta regresiva en minutos aparecerá en la pantalla del horno. El tiempo de inicio y de detención no aparecen hasta que el horno termina de precalentar.
Cuando se alcance el tiempo de detención, el horno se apagará automáticamente y aparecerá "Cooking Complete" (Cocción completa) en la pantalla del horno.
Si están habilitados, sonarán los tonos de final de ciclo y, después, los tonos recordatorios sonarán cada minuto.
5. Toque CANCEL (Cancelar) para el horno seleccionado, o abra y cierre la puerta del horno, para borrar la pantalla y/o detener los tonos recordatorios.

Para establecer un tiempo de cocción y tiempo de detención

Antes de fijar el reloj, asegúrese de que esté en la hora correcta del día. Consulte la sección "Reloj".

1. Seleccione una función de cocción.
Toque los botones numéricos para ingresar una temperatura diferente de la que aparece en la pantalla.
La Cocción programada se puede utilizar con la función Bread Proof (Leudar pan), pero la temperatura no es ajustable.
2. Toque COOK TIME (Tiempo de cocción).
3. Toque los botones numéricos para ingresar la duración del tiempo de cocción.
4. Toque STOP TIME (Tiempo de detención).
5. Toque los botones numéricos para ingresar la hora del día para parar.
6. Toque START (Iniciar).
El tiempo de inicio se calculará y aparecerá en la pantalla automáticamente.
El tiempo "DELAY" (Diferido) y de detención aparecerán también en la pantalla del horno.
El horno se encenderá automáticamente cuando haya alcanzado la hora de inicio. La cuenta regresiva en minutos aparecerá en la pantalla del horno.
Cuando se alcance el tiempo de detención, el horno se apagará automáticamente y aparecerá "Cooking Complete" (Cocción completa) en la pantalla del horno.
Si están habilitados, sonarán los tonos de final de ciclo y, después, los tonos recordatorios sonarán cada minuto.
7. Toque CANCEL (Cancelar) para el horno seleccionado, o abra y cierre la puerta del horno, para borrar la pantalla y/o detener los tonos recordatorios.