

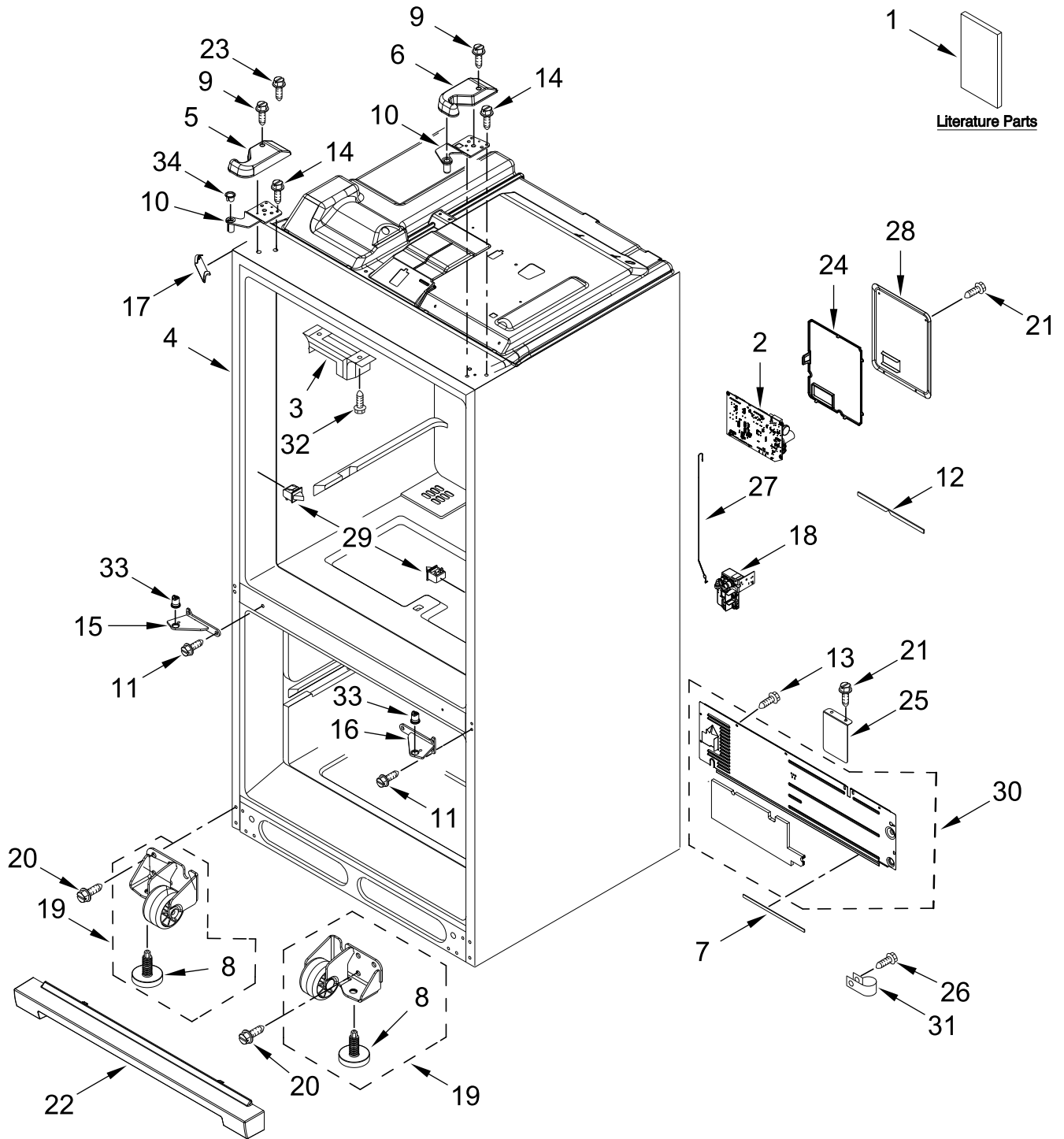
**KitchenAid®**

**REFRIGERATOR**

**MODELS:**

KRFF577KPS03 (Stainless Steel)

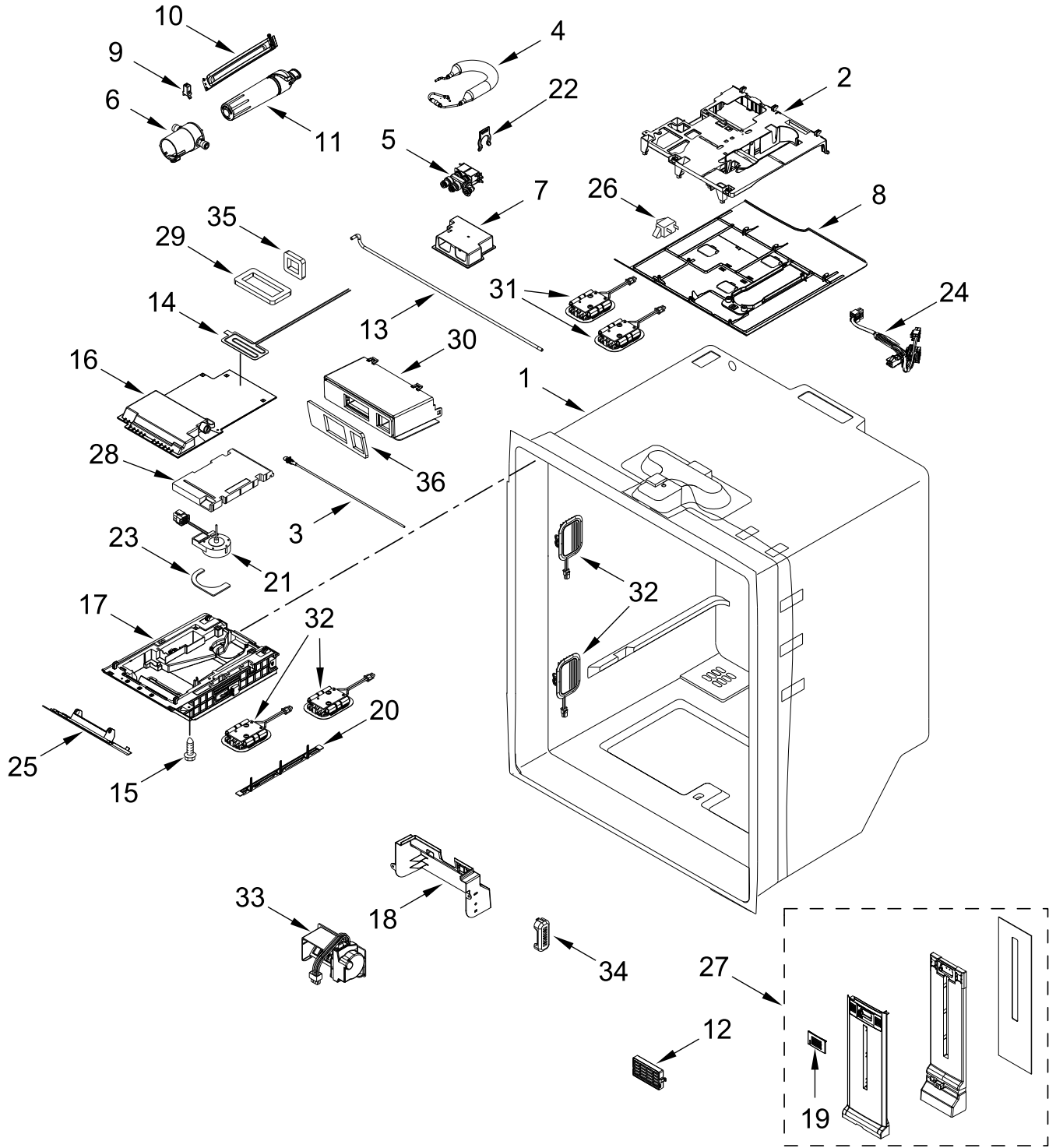
# CABINET PARTS



# CABINET PARTS

<u>Illus. No.</u>	<u>Part No.</u>	<u>Description</u>	<u>Illus. No.</u>	<u>Part No.</u>	<u>Description</u>	<u>Illus. No.</u>	<u>Part No.</u>	<u>Description</u>
1		Literature Parts	11	W10673840	Screw (Stainless)	24	W10768379	Lid, HV
	W11662357	Tech Sheet	12	W10415341	Gasket, HV Box	25	W11578005	Cover, Roller
	W11502338	Owners Manual	13	W10141518	Screw	26	W10141645	Screw
	W11647508	Energy Guide	14	W10731474	Screw	27	W11296599	Tube, Water
2	W11161172	Board, Control	15		Hinge, Center	28	W10754144	Cover, Control Box
3	W10562833	Block, Pivot			Left Hand	29	W10847850	Switch, Light
4		Cabinet (Not a Servicable Part)		W10248706	Grey	30	W11364644	Assembly, Unit Cover
5		Cover, Top Hinge	16		Hinge, Center	31	M0108107	Clamp, Tube
		Left Hand			Right Hand	32	12990302	Screw
		(Includes Foil)		W10248703	Grey	33	W10505294	Coupler, Door
	W10471618	Grey	17		Cover, Corner	34	W10212137	Retainer, Door
6		Cover, Top Hinge		12587703AP	Grey			
		Right Hand	18	W11460084	Valve, Water			
	W10407158	Grey	19		Assembly, Roller			
7	W11534848	Gasket		W10515763	Left Hand			
8	W10141622	Brake, Roller		W10515762	Right Hand			
9	12992602	Screw	20	W10709365	Screw			
10		Hinge, Top	21	12990702	Screw			
	W11456644	Left Hand	22		Grille, Toe			
	W11456643	Right Hand		W10637671	Grey			
			23	12992601	Screw			

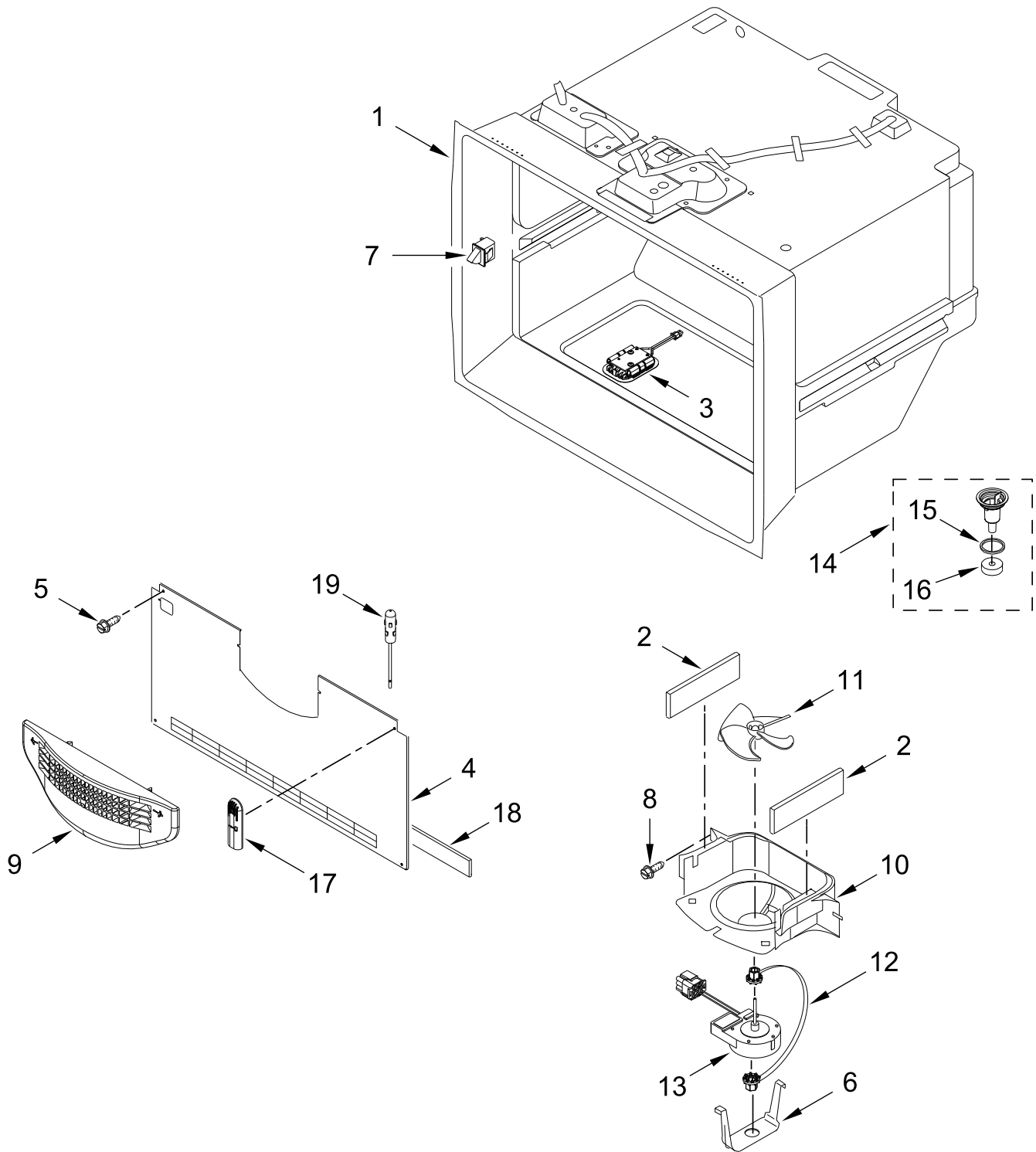
# REFRIGERATOR LINER PARTS



# REFRIGERATOR LINER PARTS

<u>Illus.</u> <u>No.</u>	<u>Part No.</u>	<u>Description</u>	<u>Illus.</u> <u>No.</u>	<u>Part No.</u>	<u>Description</u>	<u>Illus.</u> <u>No.</u>	<u>Part No.</u>	<u>Description</u>
1		Liner (Not A Serviceable Part)	13	W11658811	Waterline, Valve to Hinge	27	W11373136	Assembly, Air Tower
2	W11281629	Housing, Water System	14	W10706850	Heater, Fill Tube	28	W10280983	Insulation
3	W11613057	Tube, Fill	15	12990518	Screw	29	W10280988	Gasket, Rear Supply
4	W11296598	Reservoir, Water (Also Order Wire Tie Part 8567668)	16	W10598013	Cover, Icebox	30	W10749701	Assembly, Icebox Adapter
5	W11255718	Valve, Dual Water	17	W11547437	Assembly, Icebox (Foamed)	31	W11234022	Harness, LED Wire (Includes LED lights)
6	W11293954	Housing, Water Filter	18	W11124841	Cover, Air Damper	32	W11229041	Assembly, LED Module
7	W11391457	Enclosure, Water Valve	19	W11375055	Cover, Air Diffuser	33	W10479155	Damper, Control
8	W10754145	Cover, Waterbox	20	W10785113	Trim, Icebox	34	W10438957	Cover, Thermistor
9	2223877	Latch, Push	21	W10833801	Fan, Icebox	35	W10320706	Gasket, Rear Return
10	W10754143	Door, Filter Access	22	W11175631	Locking Ring (5/16)	36	W11672619	Gasket, Adapter
11	W10680605	Filter, Water	23	W10392172	Gasket, Fan			FOLLOWING PARTS NOT ILLUSTRATED
12	W10315189	Filter, Air	24	W11369503	Wire Assembly, Jumper	W11306925		Harness, Dual Valve
			25	W11504347	Assembly, Fascia (Includes Heater)	W11298842		Wire Assembly, Ice Box
			26	W10847853	Switch, Rocker			

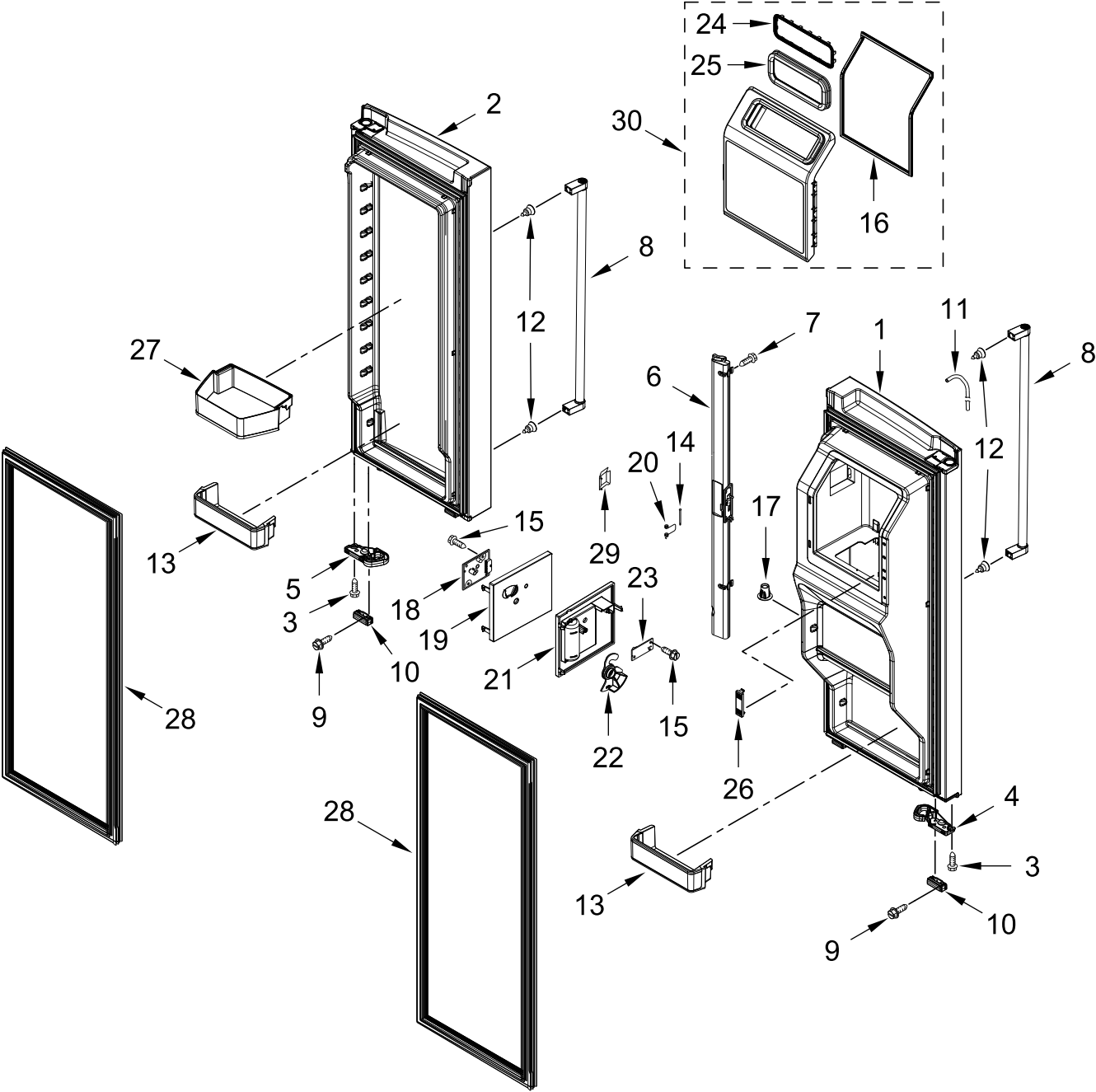
# FREEZER LINER PARTS



# FREEZER LINER PARTS

<u>Illus.</u> <u>No.</u>	<u>Part No.</u>	<u>Description</u>	<u>Illus.</u> <u>No.</u>	<u>Part No.</u>	<u>Description</u>	<u>Illus.</u> <u>No.</u>	<u>Part No.</u>	<u>Description</u>
1		Liner (Not A Serviceable Part)	8	12990504	Screw	14	W10503218	Assembly, Drain Funnel
2	A3189392	Gasket, Foam	9	W10496613	Grille, Air (Freezer)	15	M0500703	Seal
3	W11228040	Assembly, LED Light Module	10	W10363507	Shroud, Evaporator Fan	16	B8381501	Gasket, Drain
4	W11408170	Cover, Evaporator (Freezer)	11	12986101	Blade, Fan	17	W10405166	Cover, Thermistor
5	12990511	Screw	12	12951101	Grommet, Fan Motor	18	W10531268	Gasket, Dual Evaporator
6	12956601	Clip, Fan Motor	13	W11402610	Motor, Evaporator (Includes Harness, Thermistor, and Defrost Thermostat)	19	W10280385	Thermistor
7	W10847855	Switch, Light						

# REFRIGERATOR DOOR PARTS

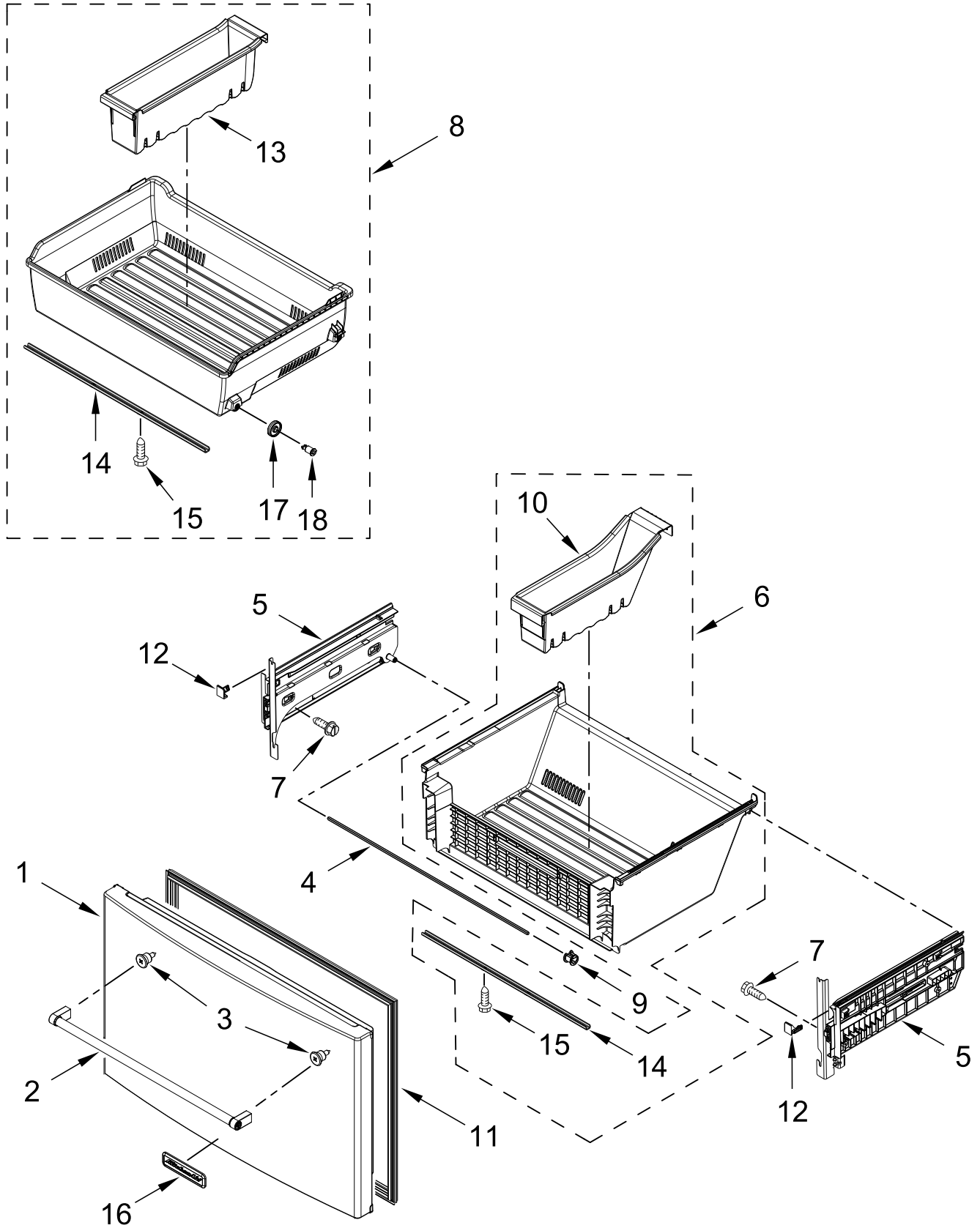




# REFRIGERATOR DOOR PARTS

<u>Illus. No.</u>	<u>Part No.</u>	<u>Description</u>	<u>Illus. No.</u>	<u>Part No.</u>	<u>Description</u>	<u>Illus. No.</u>	<u>Part No.</u>	<u>Description</u>
1		Door, Refrigerator	7	12990204	Screw	22	W10563328	Slide, Icemaker Shut Off
		(Includes Door Gasket)	8		Handle, Door	23	W10832970	Board, Emitter Circuit
		Left Hand		W11339138	Stainless	24	W10562839	Retainer, Ice Chute
	W11381838	Stainless Steel	9	12990504	Screw	25	W11689930	Gasket, Ice Chute
2		Door, Refrigerator	10		Bumper, Door	26	W10646867	Vent, Thermistor
		(Includes Door Gasket)		W10407188	Grey	27	W11373151	Bucket, Gallon
		Right Hand	11	W10394073	Tube, Water	28		Gasket, Door
	W11381836	Stainless Steel	12	W11328753	Screw		W10873938	Grey
3	W10238319	Screw	13	W11373152	Trivet, 2 Liter	29	W10563323	Door, Emitter
4		Latch, Door	14	W10331749	Pin, Door	30	W11373132	Door, Ice
	W10712952	Left Hand	15	12993001	Screw			
5		Latch, Door	16	W10567561	Gasket, Ice Door			
	W10712953	Right Hand	17	W11315303	Clip, Tube			
6		Mullion, Door	18	W10518658	Board, Receiver Circuit			
	W10698201	Grey	19	W10563326	Cover, Receiver			
			20	2198635	Spring, Door			
			21	W10563309	Cover, Emitter			

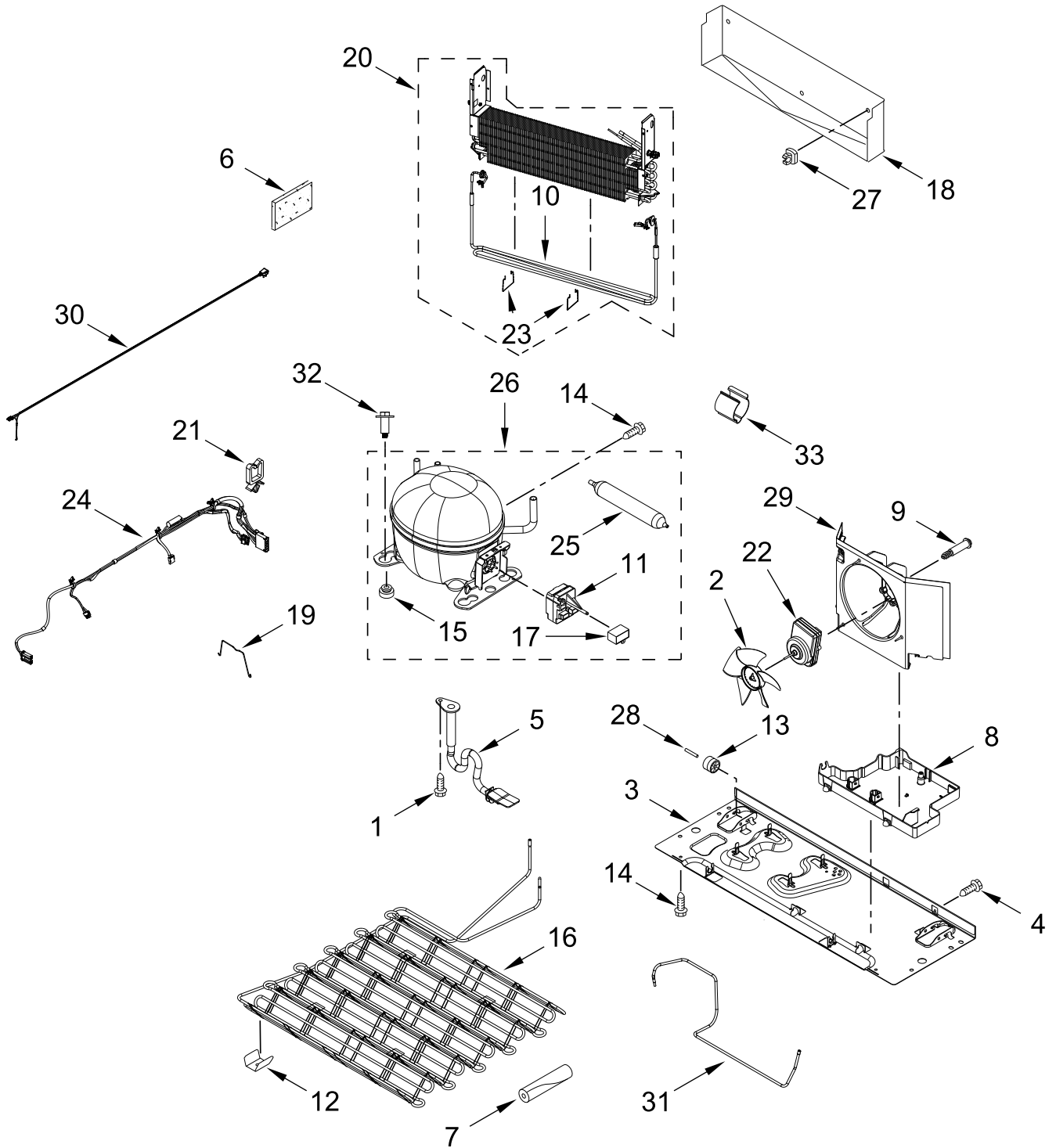
# FREEZER DOOR PARTS



# FREEZER DOOR PARTS

<u>Illus.</u> <u>No.</u>	<u>Part No.</u>	<u>Description</u>	<u>Illus.</u> <u>No.</u>	<u>Part No.</u>	<u>Description</u>	<u>Illus.</u> <u>No.</u>	<u>Part No.</u>	<u>Description</u>
1		Door, Freezer (Includes Door Gasket)	6	W10594052	Bin, Lower	14	W10469177	Support, Pan
	W11381840	Stainless Steel	7	12990518	Screw	15	489443	Screw (Stainless)
2		Handle, Door	8	W11379101	Assembly, Upper Bin	16		Nameplate
	W11222205	Stainless	9	W10709748	Clip, Shaft		W10765861	Grey
3	W11328753	Screw	10	W10562492	Divider, Lower	17	W10248555	Roller, Pan
4	W10503522	Shaft	11		Gasket, Door	18	W10643690	Axle, Roller
5		Assembly, Bracket		W10248749	Grey			
	W10795771	Left Hand	12		Stop, Pan			
	W10795769	Right Hand		W10585151	Left Hand			
				W10585150	Right Hand			
			13	W11379103	Divider, Upper			

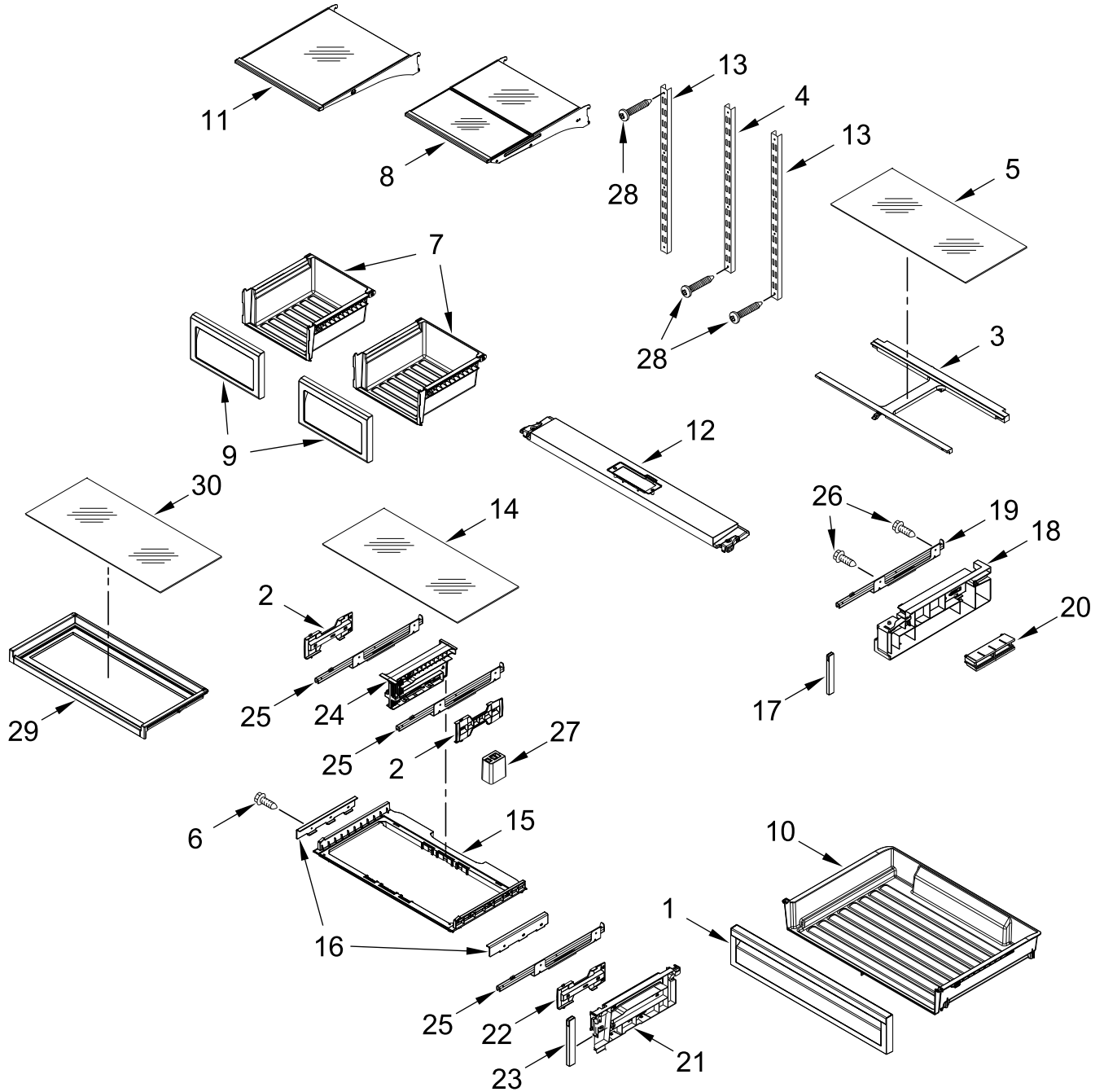
# UNIT PARTS



# UNIT PARTS

<u>Illus.</u> <u>No.</u>	<u>Part No.</u>	<u>Description</u>	<u>Illus.</u> <u>No.</u>	<u>Part No.</u>	<u>Description</u>	<u>Illus.</u> <u>No.</u>	<u>Part No.</u>	<u>Description</u>
1	W10141518	Screw	18	W11408656	Tray, Drip	26	W11682292	Compressor
2	2188935	Blade, Fan	19	W10174384	Strap, Bale			(Also Order the Following Lokring Parts)
3	W11411853	Baseplate, Compressor	20	W11394387	Assembly, Evaporator and Heater	W11504431	7/5 NR MS 00	(Compressor to Condenser)
4	12990511	Screw			(Also Order the Following Lokring Parts)	W11504415	8.5/8 NR MS 00	(Suction Tube to Compressor)
5	W11497478	Extension, Drain	W11506620	8 NK AL 00	(Suction Line to Evaporator)	W11506621	6 NK MS 00	(Charging Tube to Compressor)
6	2169104	Insulation, Sound Deadening	W11504450	4/1.8 NR MS 00	(Capillary Tube to Evaporator)	W11506635	Tube, Charging (1/4 in w/ Schrader Valve)	
7	W10303521	Sleeve	21	2223913	Clip	27	10623002	Clip, Evaporator
8	W10660727	Tray, Evaporator	22	W11505535	Motor, Condenser Fan	28	12477202	Axle, Roller
9	W10622701	Screw	23	W11380964	Clip, Heater	29	W10406719	Shroud
10	W11553968	Heater, Defrost	24	W11306948	Harness, Unit (Includes Power Cord)	30	W10738415	Cord, Power
11	W10197428	Device, Combination Start (Start Relay and Overload)	25	W10805035	Drier (Service Drier Without Dye)	31	W11323444	Tube, Suction
12	W10248621	Clip, Condenser			(Also Order the Following Lokring Parts)	32	W11417341	Screw
13	12477102	Roller	W11504445	5/4 NR MS 00	(Heat Loop to Condenser)	33	W10281329	Clip, Drier
14	12992101	Screw			(Also Order the Following Lokring Parts)			REFRIGERANT CHARGE
15	10835903	Grommet	W11504447	5/1.8 NR MS 00	(Heat Loop to Drier)			56 grams (R600a)
16	W11411956	Condenser						
	W11504445	5/4 NR MS 00 (Heat Loop to Condenser)						
	W11504431	7/5 NR MS 00 (Compressor to Condenser)						
17	W10350564	Capacitor						

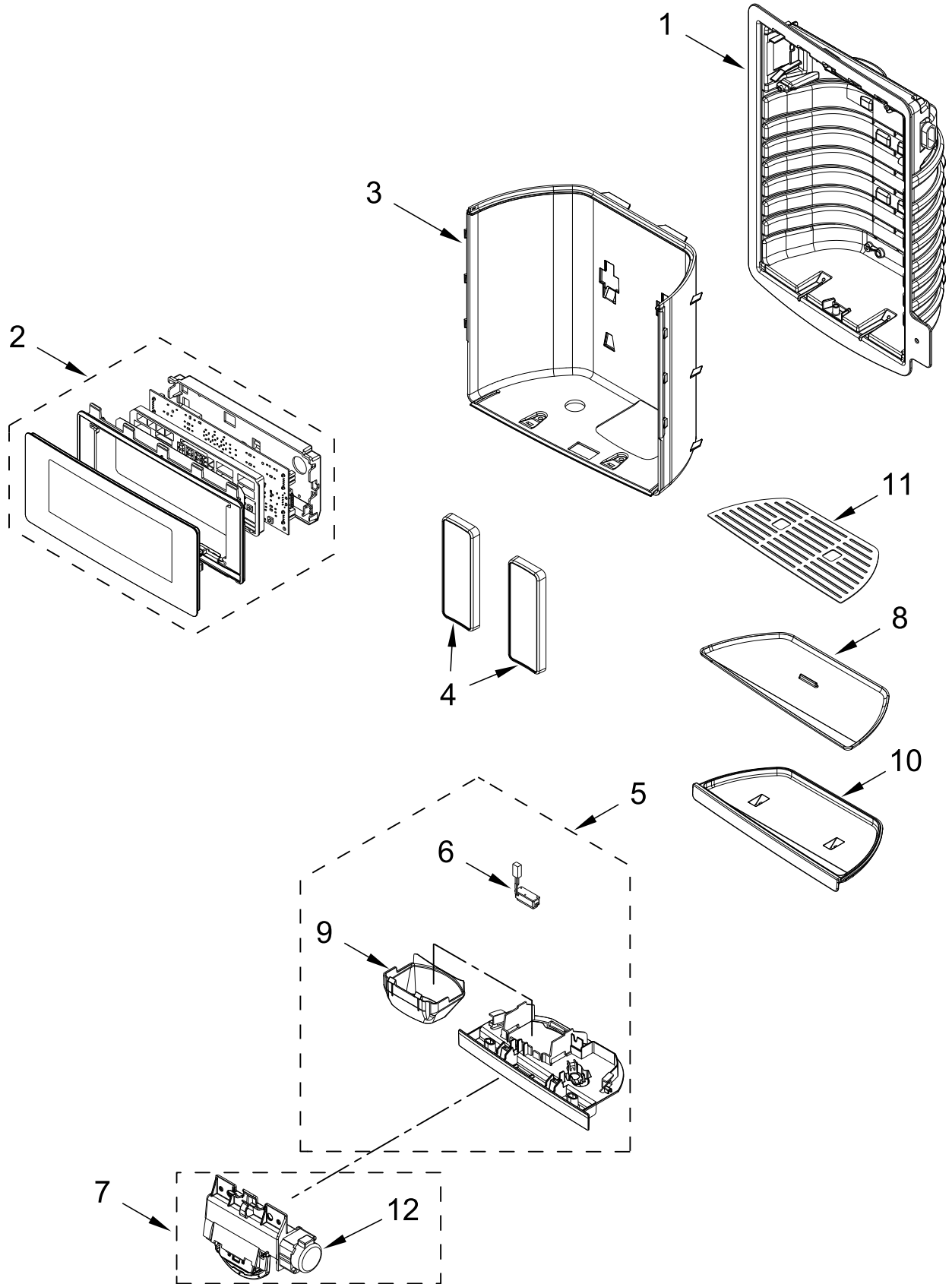
# SHELF PARTS



# SHELF PARTS

<u>Illus. No.</u>	<u>Part No.</u>	<u>Description</u>	<u>Illus. No.</u>	<u>Part No.</u>	<u>Description</u>	<u>Illus. No.</u>	<u>Part No.</u>	<u>Description</u>
1	W10756179	Front, Pantry	14	W10568000	Glass, Crisper	21		Plate, Crisper
2	W10562471	Plate, Slide Center	15	W11373141	Cover, Crisper		W11329364	Left Hand
3	W11124675	Assembly, Pantry Support	16		Rail, Side		W11329579	Right Hand
4	W10467461	Ladder, Center		W11373149	Left Hand	22	W10562802	Plate, Side
5	W10893769	Glass, Pantry		W11373150	Right Hand	23	W10562814	Plate, Crisper Front
6	W10834285	Screw (Grey)	17	W10562479	Plate, Pantry Front	24	W10562425	Track, Center
7	W10624439	Pan, Crisper	18		Plate, Side Pantry	25	W10248819	Slide, Crisper
8	W10737428	Assembly, Tuck Shelf		W10584634	Left Hand	26	12990302	Screw
9	W10755922	Front, Crisper		W11124813	Right Hand	27	W10562473	Support, Crisper
10	W10654845	Pan, Pantry	19		Slide, Pantry	28	W10423561	Screw
11	W10756314	Assembly, Shelf		W10499289	Left Hand	29	W11625949	Assembly, Platter Shelf
12	W11380750	Assembly, Pantry Front Cover	20	W10432697	Insulation, Sideplate	30	W11169584	Glass, Platter
13	W10467460	Ladder, Side						

# DISPENSER FRONT PARTS

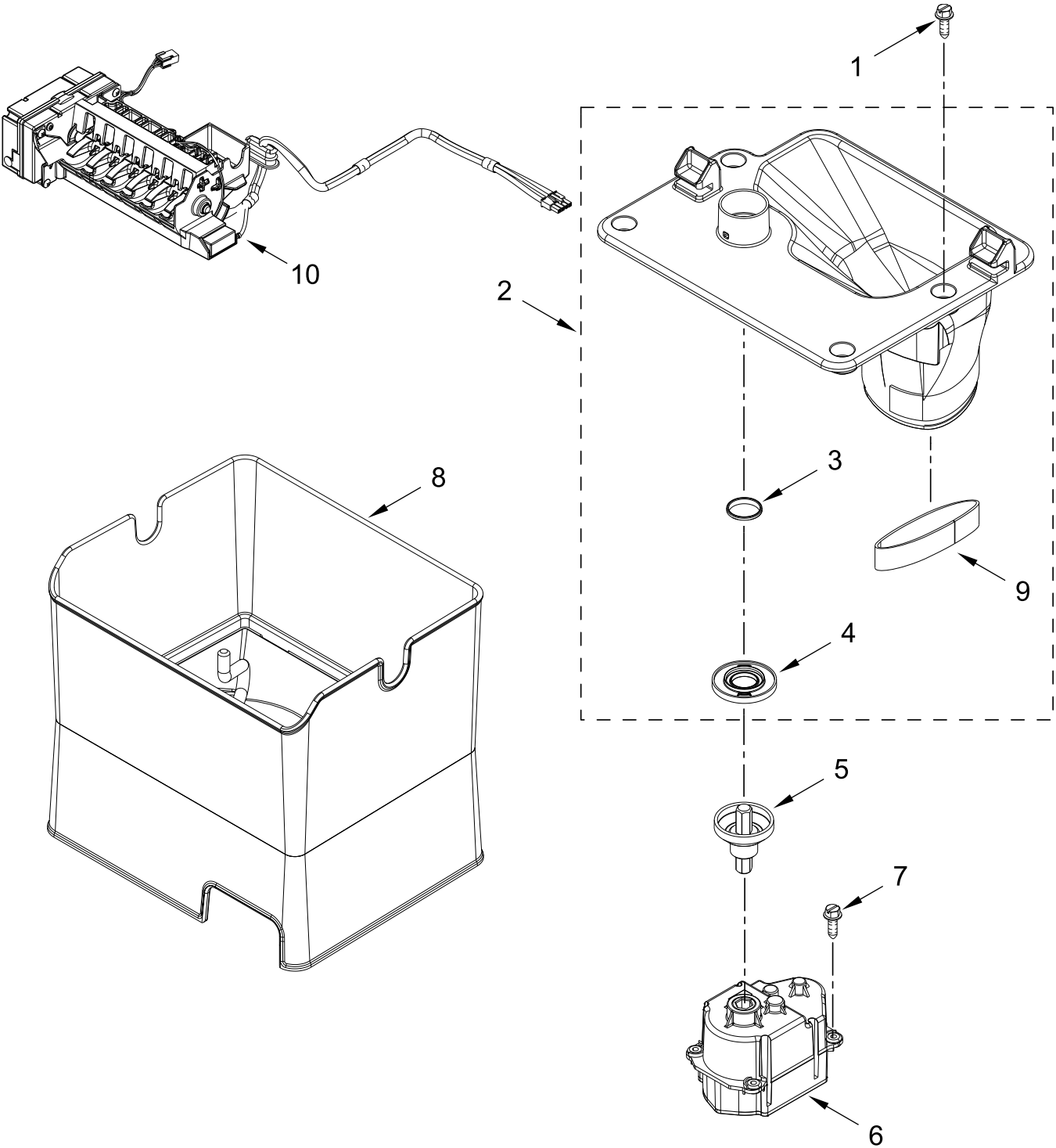




# DISPENSER FRONT PARTS

<u>Illus.</u> <u>No.</u>	<u>Part No.</u>	<u>Description</u>	<u>Illus.</u> <u>No.</u>	<u>Part No.</u>	<u>Description</u>	<u>Illus.</u> <u>No.</u>	<u>Part No.</u>	<u>Description</u>
1		Housing, Dispenser (Not Serviced)	5	W10394101	Assembly, Separator	11	W10542708	Grate, Drip Tray
2		Assembly, User Interface	6	W10238083	Assembly, LED	12	W10205979	Motor, Ice Door
	W11551785	Black	7	W10606117	Assembly, Ice Door			
3		Wall, Dispenser False	8		Insert, Drip Tray			
	W10486346	Grey		W10402269	Grey			
4		Assembly, Pad	9	W10435760	Guide, Ice			
	W10346924	Grey	10		Tray, Dispenser			
				W10400887	Grey			

# ICEMAKER AND ICE CONTAINER PARTS



# ICEMAKER AND ICE CONTAINER PARTS

<u>Illus.</u> <u>No.</u>	<u>Part No.</u>	<u>Description</u>	<u>Illus.</u> <u>No.</u>	<u>Part No.</u>	<u>Description</u>	<u>Illus.</u> <u>No.</u>	<u>Part No.</u>	<u>Description</u>
1	W10272364	Screw	5	W11363576	Shaft, Motor	9	W10291905	Gasket
2	W10572235	Assembly, Ice Chute Plate	6	W11185741	Motor, Dispenser	10	W11554919	Assembly, Icemaker
3	2198628	Seal	7	8281163	Screw (Stainless)			
4	W10347120	Clip, Retainer	8	W10564750	Assembly, Ice Container			

# OPTIONAL PARTS

<u>Illus.</u> <u>No.</u>	<u>Part No.</u>	<u>Description</u>
		TOUCH-UP PAINT
W10134625		Apollo Grey
W10917540		Midnight Grey
		MISCELLANEOUS
212643		Sealer, Gum (4 Feet)
876370		Insulation (2 Pieces, 3" x 24" x 48")
876305		Insulation Kit (14 Pieces, 3" x 24" x 48")
978941		Insulation, Fiberglass (63 1/2" x 35 1/2" x 2 5/8")
505587		Sealer, Mastic (1 Qt)
503695		Cork, Sealer
542638		Grease, Silicone (1/2 Oz.)
833938		Kit, Terminal Connector
8003RP		Kit, Water Inlet