

KitchenAid[®]

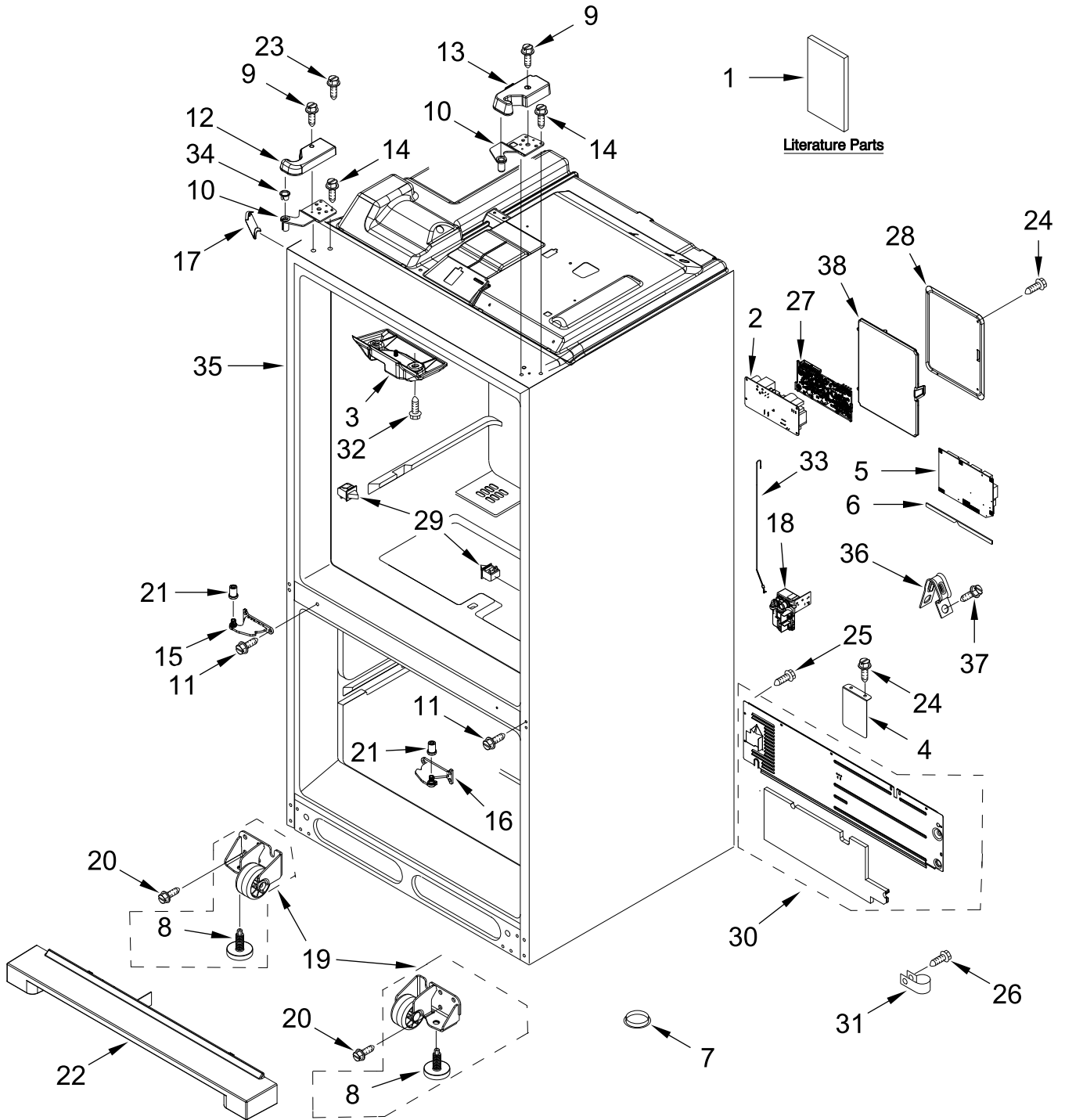
REFRIGERATOR

MODELS:

KRMF706ESS05 (Stainless Steel)

KRMF706EBS05 (Black Stainless)

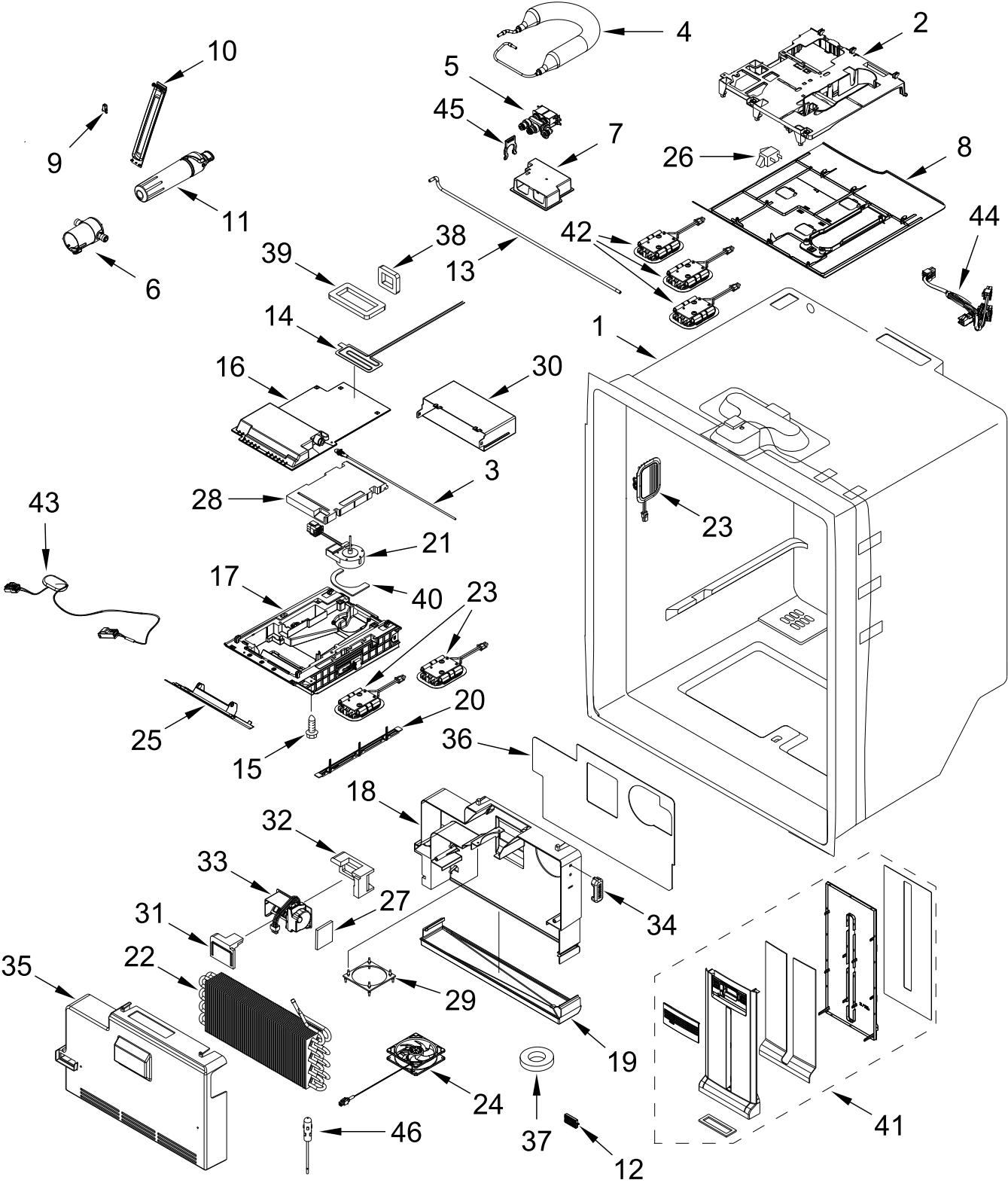
CABINET PARTS



CABINET PARTS

<u>Illus.</u> <u>No.</u>	<u>Part No.</u>	<u>Description</u>	<u>Illus.</u> <u>No.</u>	<u>Part No.</u>	<u>Description</u>	<u>Illus.</u> <u>No.</u>	<u>Part No.</u>	<u>Description</u>
1		Literature Parts Tech Sheet	13		Cover, Top Hinge Right Hand	22		Grille, Toe
	W11501234	English		W10709866	Grey		W10707958	Grey
	W11501235	French		W10709867	Black		W10707422	Black
	W11502338	Owners Manual	14	W10731474	Screw	23	12992601	Screw
	W11112988	Energy Guide	15		Hinge, Center Left Hand	24	12990702	Screw
2	W10624574	Supply, Power		W10691675	Grey	25	W10141645	Screw
3	W10734555	Block, Pivot		W10691674	Black	26	12990511	Screw
4	W10336736	Cover, Roller	16		Hinge, Center Right Hand	27	W10788814	Supply, LED Power
5	W10811365	Board, Control		W10691701	Grey	28	W10754591	Cover, HV Control Box
6	W10415341	Gasket, HV Box		W10691700	Black	29	W10847850	Switch, Light
7	A3076901	Plug, Button	17		Cover, Corner	30	W11364644	Assembly, Unit Cover
8	W10141622	Brake, Roller		12587703AP	Grey	31	M0108107	Clamp, Tube
9	12992602	Screw		12587703B	Black	32	12990302	Screw
10		Hinge, Top	18	W11460084	Valve, Water	33	W11296599	Tube, Water
	W11027247	Left Hand	19		Assembly, Roller	34	W10705239	Retainer, Door
	W11027248	Right Hand		W10515763	Left Hand	35		Cabinet (Not a Servicable Part)
11	W10673840	Screw (Stainless)		W10515762	Right Hand	36	549193	Clamp, Power Cord
12		Cover, Top Hinge Left Hand	20	W10709365	Screw	37	W10141645	Screw
	W10781436	Grey	21	W10831587	Bushing	38	W10277839	Lid, HV
	W10781438	Black						

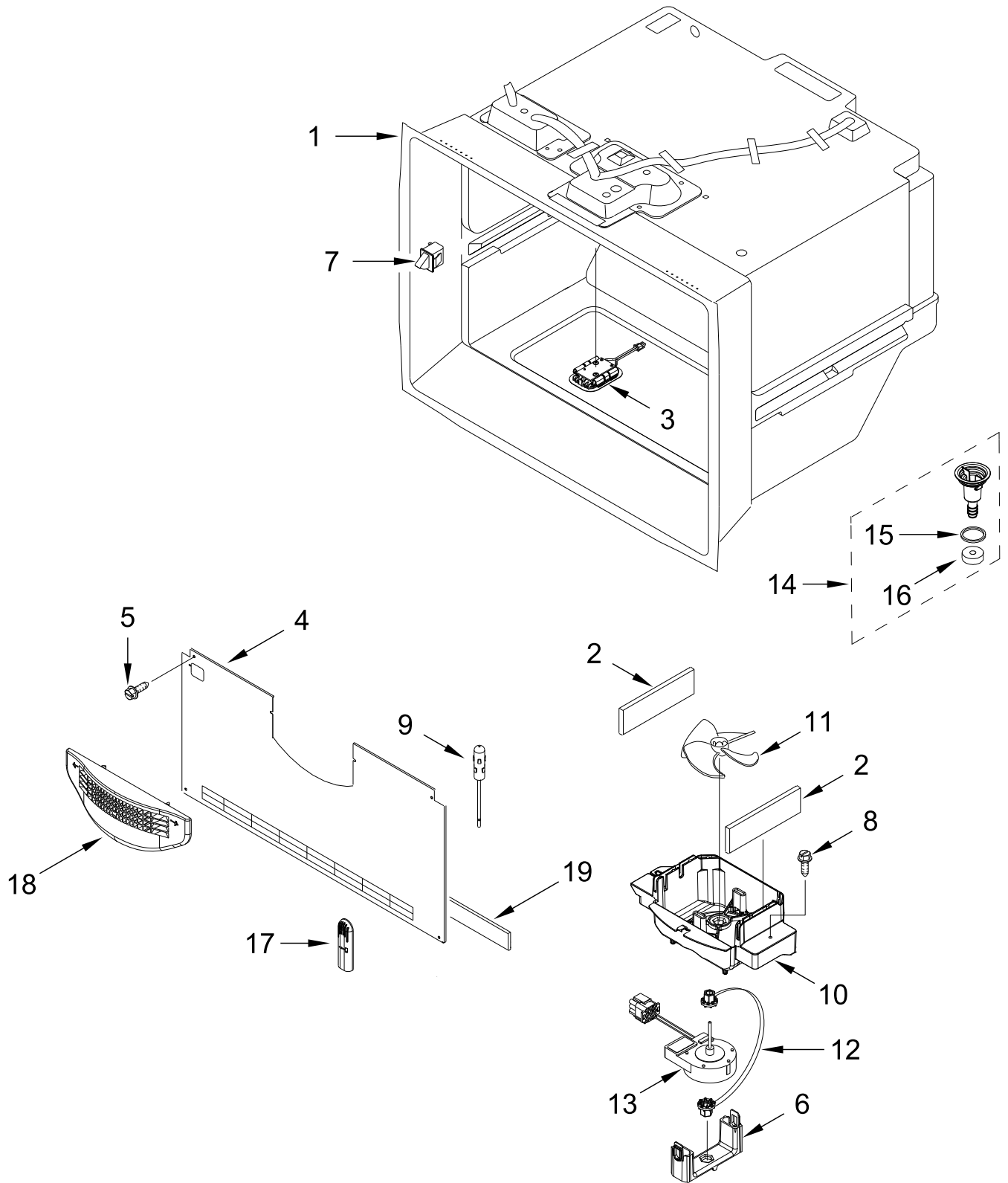
REFRIGERATOR LINER PARTS



REFRIGERATOR LINER PARTS

<u>Illus.</u> <u>No.</u>	<u>Part No.</u>	<u>Description</u>	<u>Illus.</u> <u>No.</u>	<u>Part No.</u>	<u>Description</u>	<u>Illus.</u> <u>No.</u>	<u>Part No.</u>	<u>Description</u>
1		Liner (Not A Serviceable Part)	21	W10833801	Fan, Icebox	34	W10438957	Cover, Thermistor
2	W11281629	Housing, Water System	22	W11395822	Assembly, RC Dual Evaporator (Also Order the Following Lokring Parts)	35	W10738349	Assembly, Evaporator Cover
3	W11306460	Tube, Fill				36	W10465948	Gasket, Evaporator Enclosure
4	W11296598	Reservoir, Water (Also Order Wire Tie Part 8567668)		W11504450	4/1.8 NR MS 00 (Capillary Tube to Evaporator)	37	W10505273	Gasket, Drain Tube
5	W11255718	Valve, Dual Water		W11506619	8 NK MS 00 (Suction Line to Evaporator)	38	W10320706	Gasket, Rear Return
6	W11293954	Housing, Water Filter				39	W10280988	Gasket, Rear Supply
7	W11391457	Enclosure, Water Valve	23	W11229041	Assembly, LED Module	40	W10392172	Gasket, Fan
8	W10754145	Cover, Waterbox	24	W10799016	Motor, Evaporator Fan (Includes Wire Harness)	41	W10749499	Assembly, Air Tower
9	2223877	Latch, Push				42	W11234022	Harness, LED Wire (Includes LED lights)
10	W10754143	Door, Filter Access	25	W10754348	Assembly, Icebox Fascia (Includes Heater)	43	W10673048	Jumper, Fascia Heater
11	W10680605	Filter, Water				44	W11369503	Wire Assembly, Jumper
12	W10315189	Filter, Air	26	W10847853	Switch, Light	45	W11175631	Locking Ring (5/16)
13	W11517687	Waterline, Valve to Hinge	27	W10470981	Gasket, Damper	46	W10323459	Thermistor, Evaporator Fan
14	W10820065	Heater, Fill Tube	28	W10280983	Insulation			FOLLOWING PARTS NOT ILLUSTRATED
15	12990518	Screw	29	W10389152	Support, Fan			
16	W10598013	Cover, Icebox	30	W10749701	Assembly, Icebox Adapter	W11306923		Assembly, Dual Valve Box Wire
17	W11547437	Assembly, Icebox (Foamed)	31	W10503491	Retainer, Damper	W11298842		Wire Assembly, Ice Box
18	W10503486	Enclosure, Evaporator	32	W10503492	Support, Damper			
19	W10525237	Pan, Drain	33	W10248595	Damper, Electronic Control			
20	W10785113	Trim, Icebox						

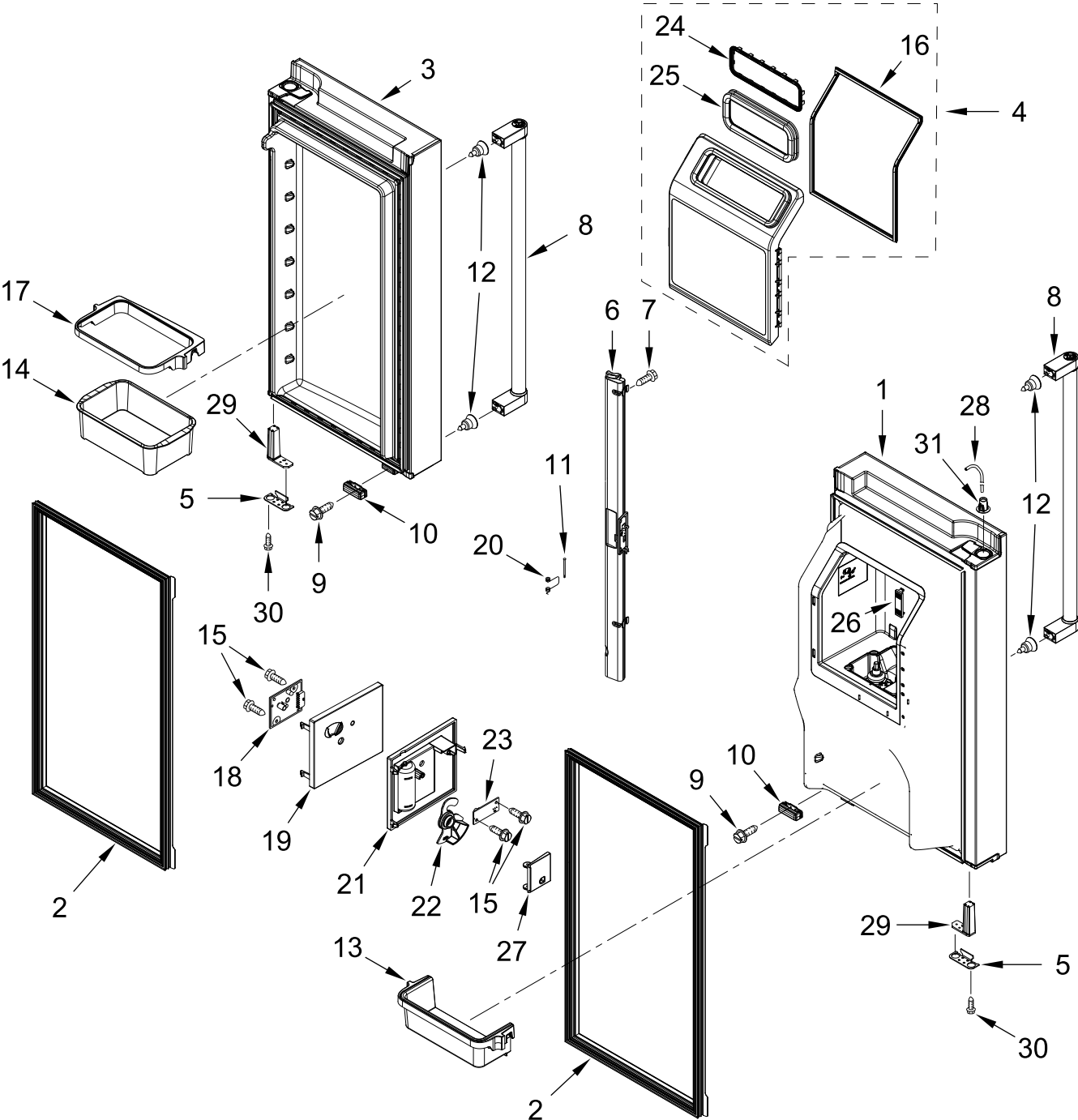
FREEZER LINER PARTS



FREEZER LINER PARTS

<u>Illus.</u> <u>No.</u>	<u>Part No.</u>	<u>Description</u>	<u>Illus.</u> <u>No.</u>	<u>Part No.</u>	<u>Description</u>	<u>Illus.</u> <u>No.</u>	<u>Part No.</u>	<u>Description</u>
1		Liner (Not A Serviceable Part)	8	12990504	Screw	14	W10503218	Assembly, Drain Funnel
2	A3189392	Gasket, Foam	9	W10280385	Thermistor	15	M0500703	Seal
3	W11228040	Assembly, LED Light Module	10	W10363507	Shroud, Evaporator Fan	16	B8381501	Gasket, Drain
4	W11408170	Cover, Evaporator (Freezer)	11	12986101	Blade, Fan	17	W10405166	Cover, Thermistor
5	12990511	Screw	12	W10905511	Grommet, Fan Motor	18	W10496613	Grille, Air (Freezer)
6	12956601	Clip, Fan Motor	13	W11402615	Motor, Evaporator (Includes Harness Thermistor, and Defrost Thermostat)	19	W10531268	Gasket, Dual Evaporator
7	W10847855	Switch, Light						

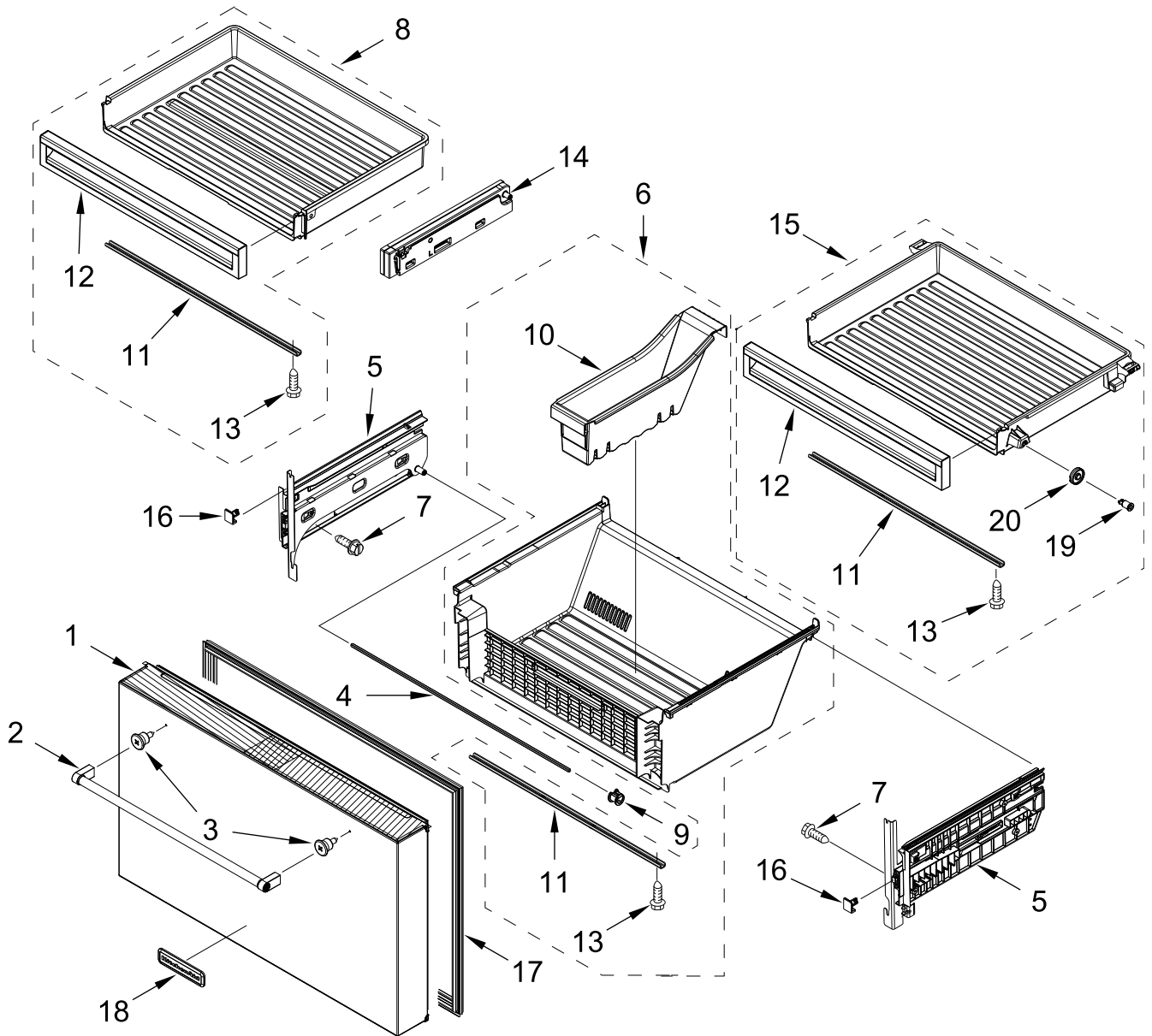
REFRIGERATOR DOOR PARTS



REFRIGERATOR DOOR PARTS

<u>Illus. No.</u>	<u>Part No.</u>	<u>Description</u>	<u>Illus. No.</u>	<u>Part No.</u>	<u>Description</u>	<u>Illus. No.</u>	<u>Part No.</u>	<u>Description</u>
1		Door, Refrigerator (Includes Item 2) Left Hand	7	12990204	Screw	23	W10832970	Board, Emitter Circuit
	W11405215	Stainless	8		Handle, Door Stainless	24	W10562839	Retainer, Ice Chute
	W11405213	Black Stainless	9	12990504	Screw	25	W11261135	Gasket, Ice Chute
2		Gasket, Door	10		Bumper, Door	26	W10646867	Vent, Thermistor
	W10873944	Grey		W10407188	Grey	27	W10563323	Door, Emitter
	W10873946	Black		W10407187	Black	28	W10663692	Tube, Water
3		Door, Refrigerator (Includes Item 2) Right Hand	11	W10331749	Pin, Door	29		Closer, Door
	W10634618	Stainless	12	W11328753	Screw		W10714907	Left Hand
	W10634619	Black Stainless	13	W10737419	Trivet, 2 Liter		W10714908	Right Hand
4	W11261138	Door, Ice	14	W10737416	Bucket, Gallon	30	W10238319	Screw
5		Bracket, Stopping	15	12993001	Screw	31	W11315303	Clip, Tube
	W10708583	Black	16	W10567561	Gasket, Ice Door			
6		Mullion, Door	17	W10737415	Frame, Bin			
	W10752974	Grey	18	W10518658	Board, Receiver Circuit			
	W10752977	Black	19	W10563326	Cover, Receiver			
			20	2198635	Spring, Door			
			21	W10563309	Cover, Emitter			
			22	W10563328	Slide, Icemaker Shut Off			

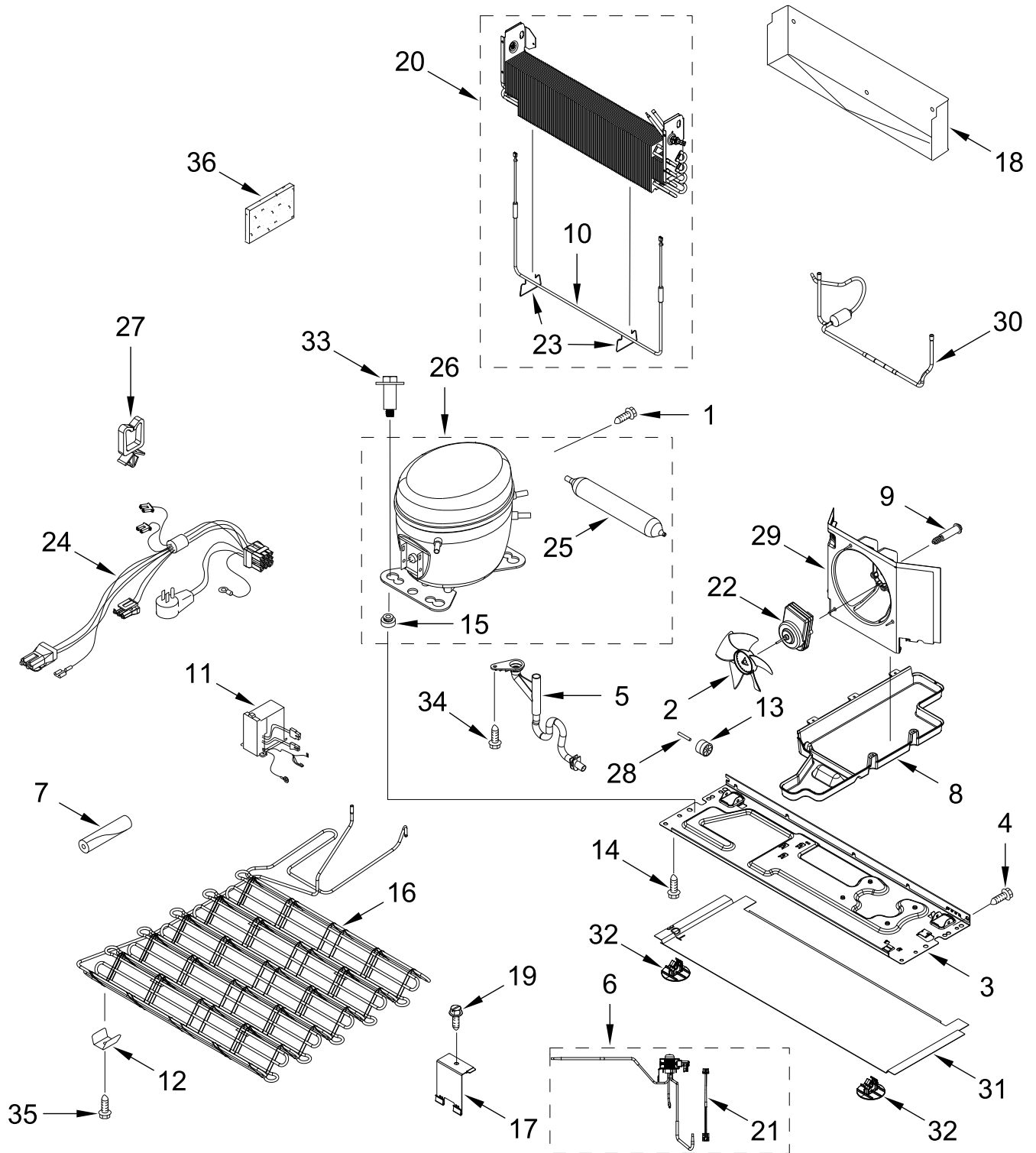
FREEZER DOOR PARTS



FREEZER DOOR PARTS

<u>Illus.</u> <u>No.</u>	<u>Part No.</u>	<u>Description</u>	<u>Illus.</u> <u>No.</u>	<u>Part No.</u>	<u>Description</u>	<u>Illus.</u> <u>No.</u>	<u>Part No.</u>	<u>Description</u>
1		Door, Freezer (Includes Item 17)	7	12990518	Screw	15	W11238188	Assembly, Center Pan (Freezer)
	W10634624	Stainless	8	W11238210	Assembly, Upper Pan (Freezer)	16		Stop, Pan
	W10634625	Black Stainless	9	W10709748	Clip, Shaft		W10585151	Left Hand
2		Handle, Door	10	W10562492	Divider, Lower		W10585150	Right Hand
	W11339142	Stainless	11	W10469177	Support, Pan	17		Gasket, Door
3	W11328753	Screw	12	W10564680	Assembly, Pan Front		W10248749	Grey
4	W10503522	Shaft	13	489443	Screw (Stainless)		W10248748	Black
5		Assembly, Bracket	14		Adapter, Upper Pan	18	W10518672	Badge
	W10795771	Left Hand				19		null
	W10795769	Right Hand		W10619221	Left Hand	20	W10248555	Roller, Pan
6	W10634640	Assembly, Lower Pan (Freezer)		W10619220	Right Hand			

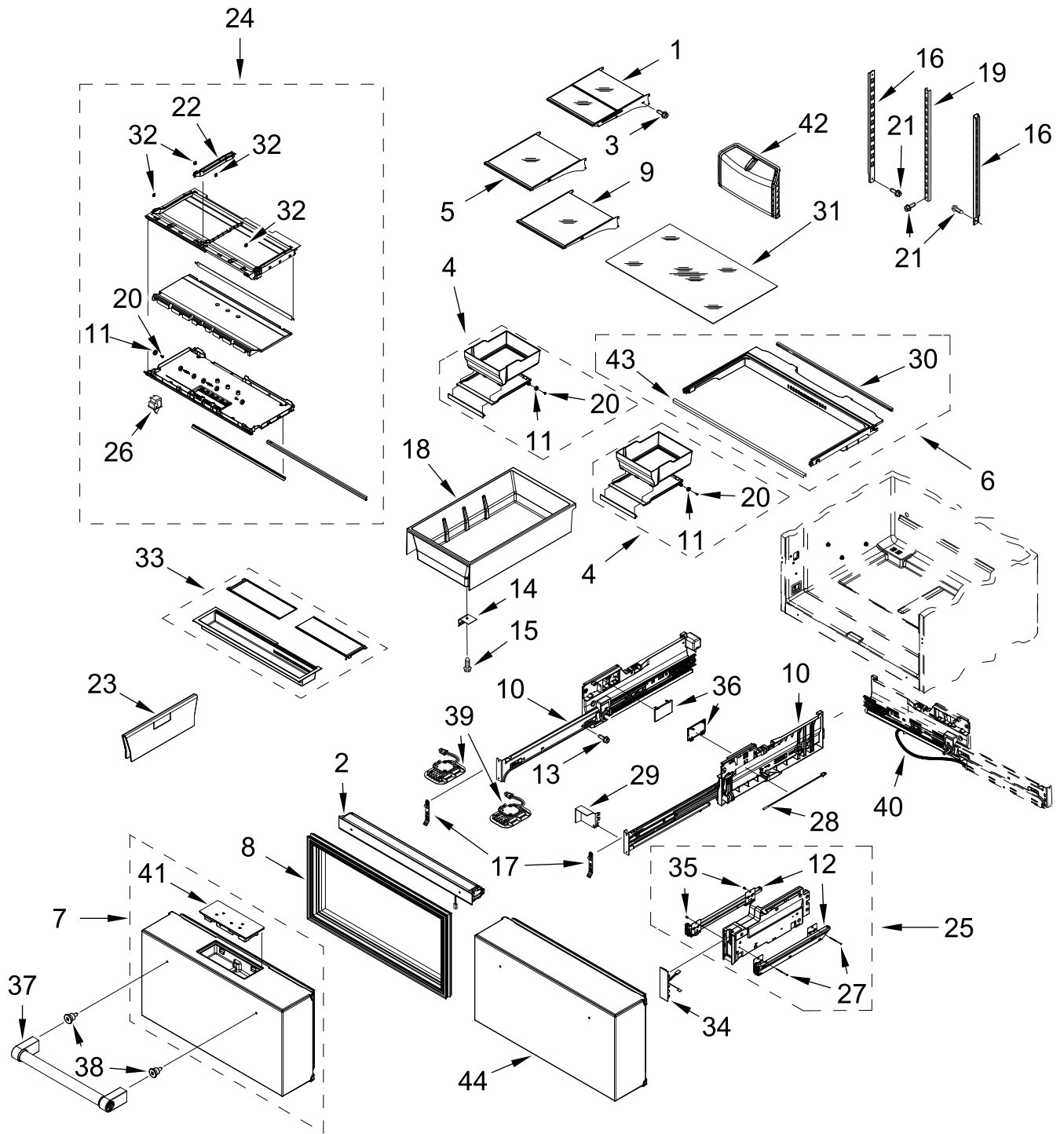
UNIT PARTS



UNIT PARTS

<u>Illus.</u> <u>No.</u>	<u>Part No.</u>	<u>Description</u>	<u>Illus.</u> <u>No.</u>	<u>Part No.</u>	<u>Description</u>	<u>Illus.</u> <u>No.</u>	<u>Part No.</u>	<u>Description</u>
1	W10141625	Screw	17	W10391376	Bracket, Valve	26	W11515413	Compressor
2	2188935	Blade, Fan	18	W11408656	Tray, Drip			(Also Order the Following Lokring Parts)
3	W11411853	Baseplate, Compressor	19	W10142255	Screw			
4	12990511	Screw	20	W11394387	Assembly, Evaporator and Heater		W11504431	7/5 NR MS 00
5	W10776916	Extension, Drain			(Also Order the Following Lokring Parts)			(Suction Tube to Compressor)
6	W11401632	Assembly, 3 Way Valve		W11506620	8 NK AL 00		W11504415	8.5/8 NR MS 00
		(Also Order the Following Lokring Parts)			(Capillary Tube to Evaporator - Cut/Splice on Aluminum portion of old Evaporator)			(High Pressure Side to Compressor)
	W11506625	3 NK MS 00		W11506620	8 NK AL 00		W11506621	6 NK MS 00
		(3-Way Valve to RC Capillary Tube - Cut/Splice near old Valve body)			(Suction Line to Evaporator)		W11506635	Tube, Charging (1/4" w/ Schrader Valve)
	W11506625	3 NK MS 00	21	W11516655	Assembly, RKV Valve Jumper Wire	27	2223913	Clip
		(3-Way Valve to FC Capillary Tube - Cut/Splice near old Valve body)	22	W11505535	Motor, Condenser Fan	28	12477202	Axle, Roller
	W11504445	5/4 NR MS 00	23	W11380964	Clip, Heater	29	W10406719	Shroud
		(3-Way Valve to Drier)	24	W11306946	Harness, Unit (Includes Power Cord)	30	W11323441	Assembly, Suction Tube
7	W10303521	Sleeve	25	W10805035	Drier (Service Drier Without Dye)	31	W10278140	Cover, Condenser (Bottom)
8	W10660727	Tray, Evaporator			(Also Order the Following Lokring Parts)	32	W10815861	Clip, Bottom Cover
9	W10622701	Screw		W11504445	5/4 NR MS 00	33	W11417341	Screw
10	W11553968	Heater, Defrost			(Heat Loop to Drier)	34	W10141518	Screw
11	W11515300	Assembly, Inverter Box		W11506623	5 NK MS 00	35	W10142294	Screw
12	W10248621	Clip, Condenser			(3-Way Valve to Drier)	36	2169104	Insulation, Sound Deadening
13	12477102	Roller						REFRIGERANT CHARGE
14	12992101	Screw						56 grams (R600a)
15	10835903	Grommet						
16	W11411956	Condenser						
		(Also Order the Following Lokring Parts)						
	W11504445	5/4 NR MS 00						
		(Heat Loop to Condenser)						
	W11504431	7/5 NR MS 00						
		(Suction Line to Condenser)						

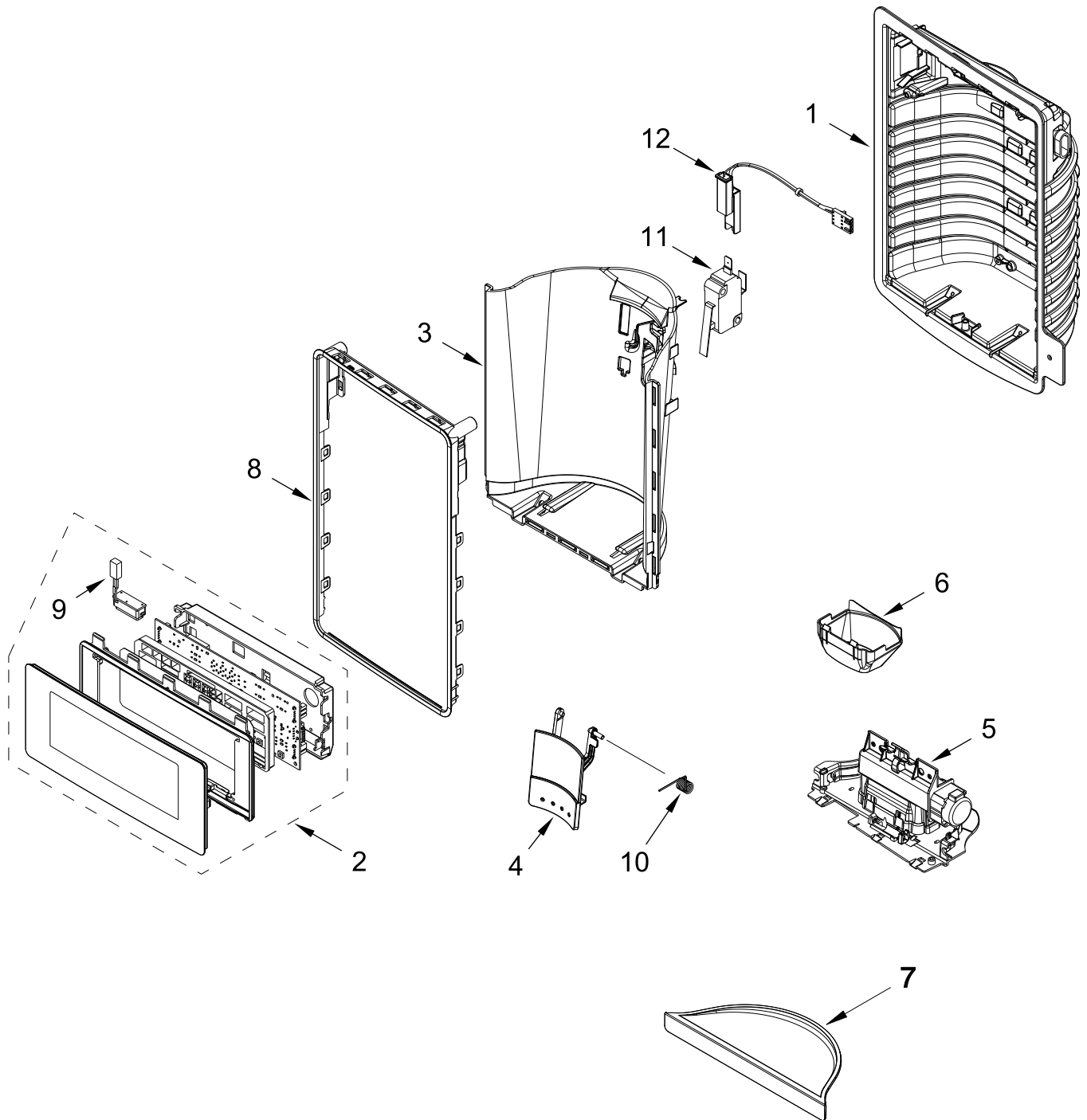
SHELF PARTS



SHELF PARTS

<u>Illus. No.</u>	<u>Part No.</u>	<u>Description</u>	<u>Illus. No.</u>	<u>Part No.</u>	<u>Description</u>	<u>Illus. No.</u>	<u>Part No.</u>	<u>Description</u>
1	W10737428	Assembly, Tuck Shelf	12		Glide, Compact	32	12702901	Pad, Glide
2		Assembly, Secondary Mullion			(Also Order Items 27 and 35)	33	W10634635	Assembly, Secondary Mullion Bin
	W11374500	Grey		W11242545	Left Hand	34		Assembly, Mullion Cover
	W11374499	Black		W11242573	Right Hand		W10733545	Black
3	W10325002	Screw	13	98006631	Screw	35	W10737730	Nut, Rivet
4	W10801137	Assembly, Crisper	14	W10704335	Clip, Drawer Body	36	W10731491	Cover, Side Adapter
5	W11088993	Assembly, Lighted Shelf	15	W10664603	Screw	37		Handle, Door
6	W10847515	Assembly, Crisper Cover	16	W10719660	Ladder, Side		W11339146	Stainless
		Door, Pantry	17	W10732765	Clip, Glide Door	38	W11328753	Screw
		Left Hand	18	W10730610	Drawer, Pantry	39	W11228040	Assembly, LED Light Module
		(Includes Item 8)	19	W10719661	Ladder, Center	40	W10512203	Harness, Side Adapter
	W10733263	Stainless	20	12991401	Screw	41		Interface, User
	W10733264	Black Stainless	21	W10666373	Screw		W10769076	Stainless
8		Gasket, Pantry	22	W10638123	Guide, Crisper	42	W10826105	Assembly, Produce Preserver
	W10685868	Grey	23	W10709891	Divider, Pantry Pan	43	W10847369	Support, Front
	W10712392	Black	24	W11215631	Assembly, Floor	44		Door, Pantry
9	W10756314	Assembly, Shelf	25	W11294548	Assembly, Pantry Center Adapter			Right Hand
10		Adapter, Pantry	26	W10847852	Switch, Rocker			(Includes Item 8)
	W11294509	Left Hand	27	W10737605	Screw		W10738904	Stainless
	W11294512	Right Hand	28	W10549991	Thermistor		W10738905	Black Stainless
11	W10788795	Roller	29	W10711821	Cover, Connector			
			30	W10493547	Support, Crisper Rear			
			31	W10893770	Glass, Crisper			

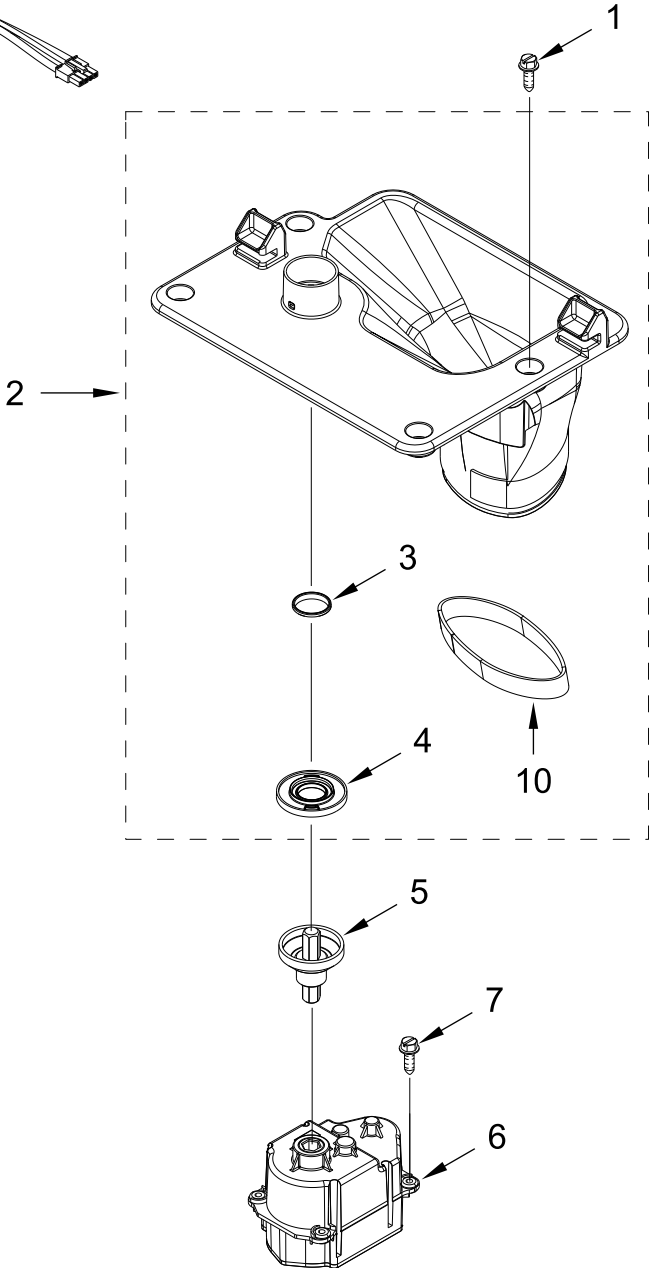
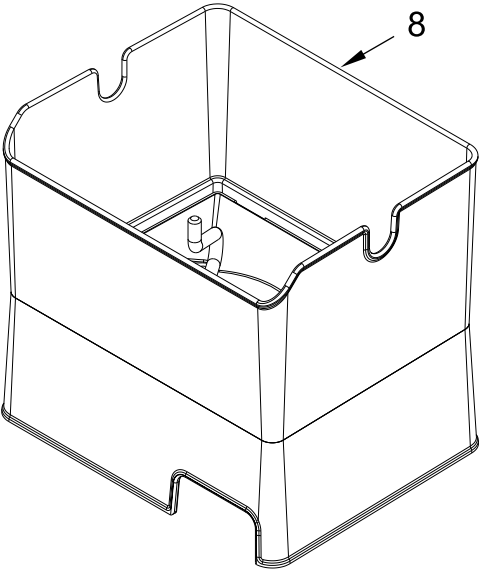
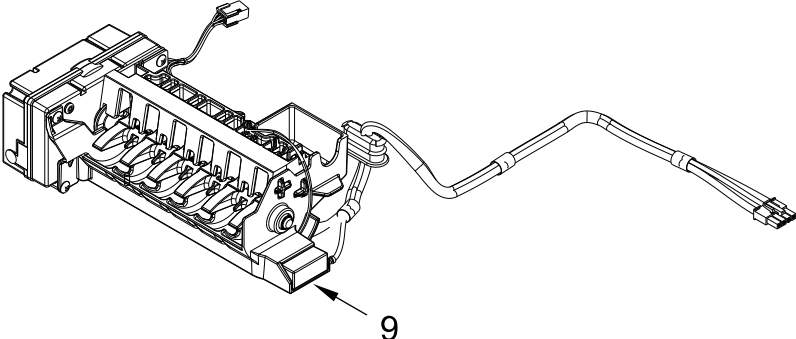
DISPENSER FRONT PARTS



DISPENSER FRONT PARTS

<u>Illus.</u> <u>No.</u>	<u>Part No.</u>	<u>Description</u>	<u>Illus.</u> <u>No.</u>	<u>Part No.</u>	<u>Description</u>	<u>Illus.</u> <u>No.</u>	<u>Part No.</u>	<u>Description</u>
1		Housing, Dispenser (Not Serviced)	5	W11520265	Assembly, Seperator	11	W10403752	Switch, Limit
2		Assembly, User Interface	6	W10435760	Guide, Ice	12	W10712476	Assembly, Switch Jumper Wire
	W11456737	Black	7		Tray, Drip			
				W10654552	Black			
3		Wall, Dispenser False	8		Ring, Trim			
	W10654549	Black		W10654551	Chrome			
4		Assembly, Pad	9	W10470750	Assembly, LED			
	W10663646	Black	10	W10663682	Spring, Torsion			

ICEMAKER AND ICE CONTAINER PARTS



ICEMAKER AND ICE CONTAINER PARTS

<u>Illus.</u> <u>No.</u>	<u>Part No.</u>	<u>Description</u>	<u>Illus.</u> <u>No.</u>	<u>Part No.</u>	<u>Description</u>	<u>Illus.</u> <u>No.</u>	<u>Part No.</u>	<u>Description</u>
1	W10272364	Screw	5	W11363576	Shaft, Motor	9	W11485529	Assembly, Icemaker
2	W11244792	Assembly, Ice Chute Plate	6	W11185741	Motor, Dispenser	10	W10291905	Gasket
3	2198628	Seal	7	8281163	Screw (Stainless)			
4	W10347120	Clip, Retainer	8	W10564750	Assembly, Ice Container			

OPTIONAL PARTS

PAINT, TOUCH-UP (1/2OZ.)

<u>Illus. No.</u>	<u>Part No.</u>	<u>Description</u>
	72017	White
	72032	Black
	W10134625	Apollo Grey
	W10917540	Midnight Grey
	511873	White Porcelain (2 oz.)
	4392899	Biscuit and Bisque

PAINT, PRESSURIZED SPRAY (12 OZ.)

<u>Illus. No.</u>	<u>Part No.</u>	<u>Description</u>
	350930	White
	350939	Enamel, Black
	285006	Black
	350942	White Primer
	4392901	Biscuit and Bisque

PAINT, BULK (1 QT.)

<u>Illus. No.</u>	<u>Part No.</u>	<u>Description</u>
	799344	White (Uncut)

MISCELLANEOUS

<u>Illus. No.</u>	<u>Part No.</u>	<u>Description</u>
	212643	Sealer, Gum (4 Feet)
	479502	Tape, Vinyl (3/4 x 108")
	876370	Insulation (2 Pieces, 3" x 24" x 48")
	876305	Insulation Kit (14 Pieces, 3" x 24" x 48")
	978941	Insulation, Fiberglass (63 1/2" x 35 1/2" x 2 5/8")
	876029	Kit, Foam Slab (30" x 32 1/2" x 1 1/2")
	505587	Sealer, Mastic (1 Qt)
	503695	Cork, Sealer
	542638	Grease, Silicone (1/2 Oz.)
	542639	Cement, Alumilastic (1 1/4 Oz.)
	833938	Kit, Terminal Connector
	8003RP	Kit, Water Inlet

TORX SCREW WRENCH

<u>Illus. No.</u>	<u>Part No.</u>	<u>Description</u>
	1117510	Torx Key