



THE PROFESSIONAL CHOICE

Available in a choice of sizes, the Inca Pro Plus is an all-in-one pro range hood liner. Designed for custom cabinets, it delivers the perfect mix of powerful performance, unique design and exceptional functionality.

AVAILABLE MODELS

Model #	FUN #	Size / Color	Motor Class (CFM)
INPL3019SSNB-B	110.0454.254	30"Wx19" Stainless Steel	No Blower
INPL3619SSNB-B	110.0454.255	36"Wx19" Stainless Steel	No Blower
INPL4219SSNB-B	110.0454.257	42"Wx19" Stainless Steel	No Blower
INPL4819SSNB-B	110.0454.259	48"Wx19" Stainless Steel	No Blower
INPL3622SSNB-B	110.0454.256	36"Wx22" Stainless Steel	No Blower
INPL4822SSNB-B	110.0454.260	48"Wx22" Stainless Steel	No Blower



Blowers	FUN #	
IB300	113.0533.092	Internal Blower 300 CFM
IB400	113.0176.627	Internal Blower 400 CFM
IB600	112.0177.182	Internal Blower 600 CFM PRO
IB1200	112.0177.183	Internal Blower 1200 CFM PRO
RB900	113.0176.625	Remote Blower 900 CFM
RB1200	113.0176.626	Remote Blower 1200 CFM
AXP250	133.0661.354	In-Line Blower 735 CFM (INLBKIT REQUIRED)

INCA PRO STAINLESS STEEL HOOD FILTER IS NECESSARY FOR ANY **PROFESSIONAL** KITCHEN, ENSURING THAT GREASE IS DEPOSITED DIRECTLY INTO THE BAFFLES.

Note: If desired you may use your own external blower, purchased separately, rated 4.2 amp maximum suitable for use with solid state variable speed control. INLBKIT would be required with this installation.



INCA PRO PLUS

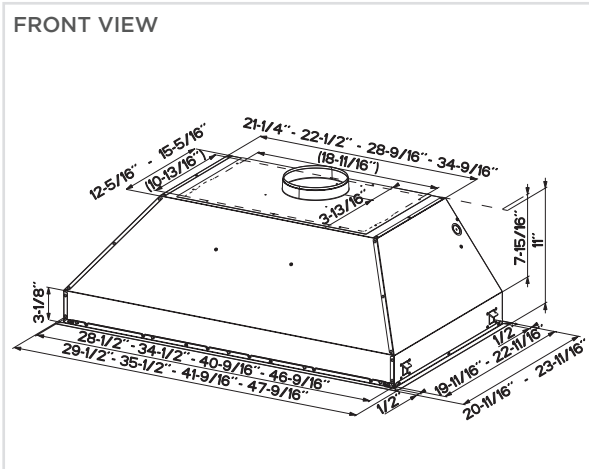
INSERT



MODEL	FUN #	SIZE/MATERIAL	MOTOR CLASS
INPL3019SSNB-B	110.0454.254	30"Wx19" Stainless Steel	No Blower
INPL3619SSNB-B	110.0454.255	36"Wx19" Stainless Steel	No Blower
INPL4219SSNB-B	110.0454.257	42"Wx19" Stainless Steel	No Blower
INPL4819SSNB-B	110.0454.259	48"Wx19" Stainless Steel	No Blower
INPL3622SSNB-B	110.0454.256	36"Wx22" Stainless Steel	No Blower
INPL4822SSNB-B	110.0454.260	48"Wx22" Stainless Steel	No Blower

FEATURES		PERFORMANCE		ACCESSORIES
Dimensions		Motor		FILTER1 Charcoal Filter Kit
Cabinet Cut Out Width	28 5/8", 34 3/4", 40 3/4", 46 3/4"	No. of Fan Speeds	Variable	FILTER1LL2 Long Lasting Charcoal Filter
Depth	19 7/8" or 22 7/8"	Motor Class	300/400/ 900/1200	INLBKIT In-Line Blower Connector (Required with AXP250)
Height Inside Cabinet	11"	Pro Motor	600/1200	MUDAMPER6 6" Make-up Air Kit
Ducting		Display		MUDAMPER8 8" Make-up Air Kit
Type	Ducted/ Recirculating with FILTER1/FILTER1LL2	Controls	Variable Speed	MUDAMPER10 10" Make-up Air Kit (900/1200 CFM)
Duct Size	6" Round or 10" Round - Top	Other		
Lighting		ADA Compliant	Separate Wall Switch Required	
Type	Energy-Efficient LED	Fixed Wiring Box	Yes	
# of Bulbs	Two - 5 Watt - 1 level			
Grease Filters				
Filter Type	Pro Stainless Steel Baffle			
Dishwasher Safe	Yes			
Easy Snap Clip Installation	Clips Included			

DIMENSIONAL DRAWINGS



Rev6 424

800 Aviation Parkway, Smyrna, TN 37167 (508) 358-5353 | www.faberonline.com