

Dishwasher

Installation manual

DW80B70* Series, DW80B60* Series



SAMSUNG

Contents

Safety instructions	3
Important safety instructions	3
Before using your dishwasher	5
Installation	6
Product dimensions	11
Cabinet dimensions	12
Specifications	37



Scan this with your smartphone

Scan the QR code* to view our helpful installation videos.

* Requires reader to be installed on your smartphone.

Safety instructions

Throughout this manual, you will see Warning and Caution notes. The warnings, cautions, and the important safety instructions that follow do not cover all possible conditions and situations that may occur. It is your responsibility to use common sense, caution, and care when installing, maintaining, and operating the dishwasher. Samsung is not liable for damages resulting from improper use.

Important safety instructions

What the icons and signs in this installation guide mean:

 **WARNING**

Hazards or unsafe practices that may result in **severe personal injury or death**.

 **CAUTION**

Hazards or unsafe practices that may result in **personal injury or property damage**.

 **CAUTION**

To reduce the risk of fire, explosion, electric shock, or personal injury when using the dishwasher, follow these basic safety precautions:

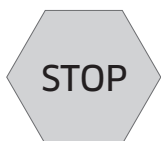
 **NOTE**

Indicates that a risk of personal injury or material damage exists.

These warning signs are here to prevent injury to you and others.

Please follow them explicitly.

After reading this section, keep it in a safe place for future reference.



These installation instructions are intended for use by qualified installers.

If you are having problems installing this dishwasher
U.S.A

Please call: 1-800-SAMSUNG (726-7864)
1-844-SAM-PAYS (726-7297)

for assistance: www.samsung.com/us/support

CANADA

Please call: 1-800-SAMSUNG (726-7864)

for assistance: www.samsung.com/ca/support (English)
www.samsung.com/ca_fr/support (French)

SAVE THESE INSTRUCTIONS



Safety instructions

California Proposition 65 Warning

 **WARNING:** Cancer and Reproductive Harm - www.P65Warnings.ca.gov

Read all instructions before using the appliance.

Install and store the dishwasher inside, away from exposure to weather.

CAUTION

- Do not install the dishwasher near electrical components. Keep the dishwasher away from open flames.
- Do not install the dishwasher on a carpet as this is a fire hazard.
- Do not install the dishwasher in a location where the water may freeze (where the temperature falls below 32 °F (0 °C)). Frozen water in the hoses or pipes may damage the dishwasher.
- As with all equipment using electricity, water, and moving parts, potential hazards exist. To safely operate this appliance, become familiar with its operation and exercise care when using it.

The dishwasher must be properly grounded. Never connect it to an ungrounded outlet.

Prior to removal of original dishwasher and the installation of your new unit, make sure to switch off your circuit breaker. Do not connect the dishwasher until you have completed the installation. Connecting the power cable is the last step when installing the dishwasher.

All wiring and grounding must be done in accordance with the electrical code applicable to the region.

GROUNDING INSTRUCTIONS

For a permanently connected appliance:

This appliance must be connected to grounded metal, a permanent wiring system, or an equipment-grounding conductor must be run with the circuit conductors and connected to the equipment-grounding terminal or lead on the appliance.

The dishwasher is very heavy. Do not attempt to move or carry a dishwasher alone. Two or more people are needed to move a dishwasher and avoid potential injuries.

CAUTION

- If the power cable is damaged, it must be replaced by the manufacturer, a service agent or similarly qualified person in order to avoid a hazard.
- Do not touch the power cable with wet hands.
- Do not connect another appliance to the same power outlet as the dishwasher.

SAVE THESE INSTRUCTIONS



Make sure to use a new water supply line. Old lines are susceptible to breakage because they become hardened and may cause property damage due to a water leakage. The dishwasher must be connected to a hot water supply with a temperature between 120 °F (49 °C)~149 °F (65 °C). This temperature range provides the best washing result and shortest cycle time. Temperature should not exceed 149 °F (65 °C) to prevent damage to dishes.

Ensure that the water supplied to the dishwasher does not freeze. Frozen water can damage the hoses, valves, pump, or other components.

Certified residential dishwashers are not intended for licensed food establishments. (NSF/ANSI Standard 184 for Residential Dishwashers)

For a full list of safety information, please refer to the User Manual.

Before using your dishwasher

WARNING



Tip-Over Hazard

- Do not use the dishwasher until it is correctly installed.
- Do not push down on the dishwasher door when it is open.
- Do not place excessive weight on the dishwasher door when it is open.



Electric Shock Hazard

Failure to follow these instructions can result in death, fire, or electric shock:

- Electrically ground the dishwasher.
- Connect the ground wire to the green ground connector in the junction box.
- Do not use an extension cord.

To reduce the risk of electric shock, fire, or injury to persons, the installer must ensure that the dishwasher is completely enclosed at the time of installation.

SAVE THESE INSTRUCTIONS

Installation

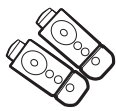
Be sure that you or your installer follow these instructions closely so that the new dishwasher works properly and that you are not at risk of injury when washing dishes.

STEP 1 Check the parts and tools

Before starting on the installation, prepare all the necessary tools and parts required to install the dishwasher. This will save installation time and simplify the installation process.

Parts required

Provided with the dishwasher. Check when you unbox the dishwasher in **STEP 5**.



2 Installation brackets



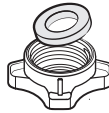
Kick Plate



4 screws
(for the Bracket Installation)



Protective sticker



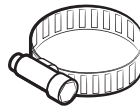
Nut connector & seal
(for $\frac{3}{4}$ " 90° fitting)



6 plastic caps



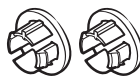
2 black color screws
(for the Kick plate)



Hose clamp
(for drain hose)

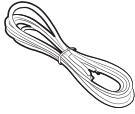


2 screws
(for the bespoke door)

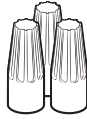


2 plastic caps
(for the bespoke door)

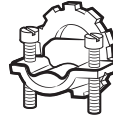
Not provided



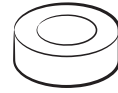
Power cable



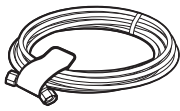
Twist on wire connector



Strain relief



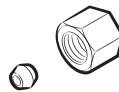
Electrical tape &
Standard duct tape



Hot water supply
line



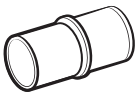
90° Fitting (3/4")



Tube fittings



Air gap



Rubber connector

NOTE

For the hot water supply line - We strongly recommend using 3/8" minimum O.D. copper tubing with a compression fitting or a flexible stainless steel braided hot water supply line.

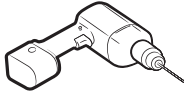
[Warning: Do not use plastic tubing. Plastic tubing can deteriorate over time and cause a leak inside the tube fitting.]

You also need a 90° Fitting with 3/4" N.P.T. external pipe threads on one end and a fitting sized to fit your hot water supply line (copper tubing/compression fitting or braided hose) on the other.

For the power cable, we recommend a jacketed 12-2 cable with ground. Note that some local codes may require the cable to have a BX style metal jacket.

Installation

Tools required



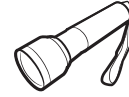
Electric drill



Safety glasses



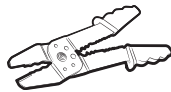
Gloves



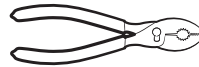
Flashlight



Adjustable wrench



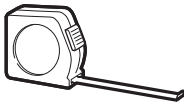
Wire stripper



Pliers



Nipper



Tape measure



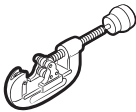
Pencil



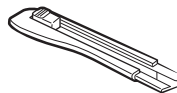
Phillips screwdriver



Flat screwdriver



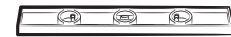
Tubing cutter



Cutting knife



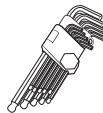
Hole saw



Level



Torx t20



Hex L-wrench

NOTE

New installation

If the dishwasher is a new installation, most of the installation work must be done before the dishwasher is moved into place.

Replacement

If the dishwasher is replacing an old dishwasher, you must check the existing dishwasher connections for compatibility with the new dishwasher. Replace the existing connections as necessary.

STEP 2 Select the best location for the dishwasher

The following criteria are important to ensure the best location for the dishwasher:

- The location must have a solid floor that is able to support the weight of the dishwasher.
- The location must be near a sink with easy access to the water supply, drain, and electrical outlet.

NOTE

For the drain to operate properly, the dishwasher should be installed within 9.8 ft (3 m) of the sink.

- The location must let you load your dishes into the dishwasher easily.
- The location must have sufficient space for the dishwasher door to open easily and provide enough space between the dishwasher and the cabinet sides (at least 0.1 in (2 mm)).

NOTE

If the dishwasher is installed in a corner, ensure that the side of the dishwasher is more than 2 in. (50 mm) from the wall or cabinet to its right or left.

- The wall at the back must be free of obstructions.
- Make sure the cabinet for the dishwasher is secured to the floor. If the cabinet is not secured, it may increase noise when the dishwasher is operating.

Installation

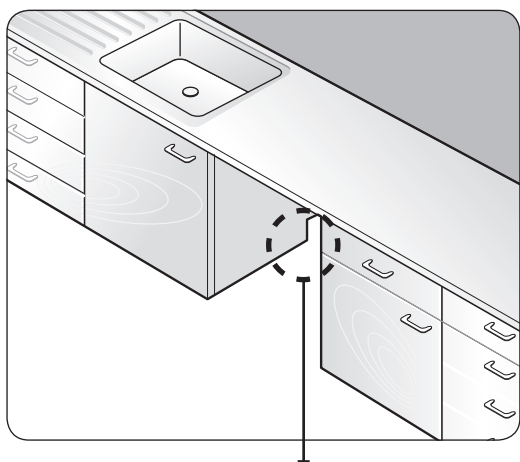
If this is a new installation, follow these steps:

1. Using a 2¹/₂ inch hole saw, cut a hole into the side of the cabinet that holds the sink as shown in **Figure 1-1** below.
2. If the base inside the sink cabinet is raised above the kitchen floor and is higher than the connections on the dishwasher, make a hole in the base inside the cabinet and in the cabinet side as shown in **Figure 1-2**.

NOTE

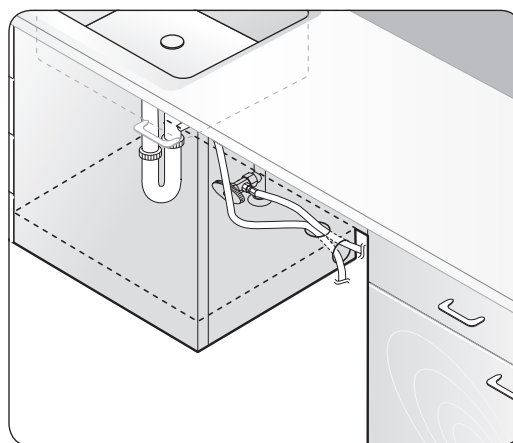
Depending on where your electrical outlet is, you may need to cut a hole in the opposite cabinet side.

Figure 1-1



The hole for the water supply line, drain hose and power cables.

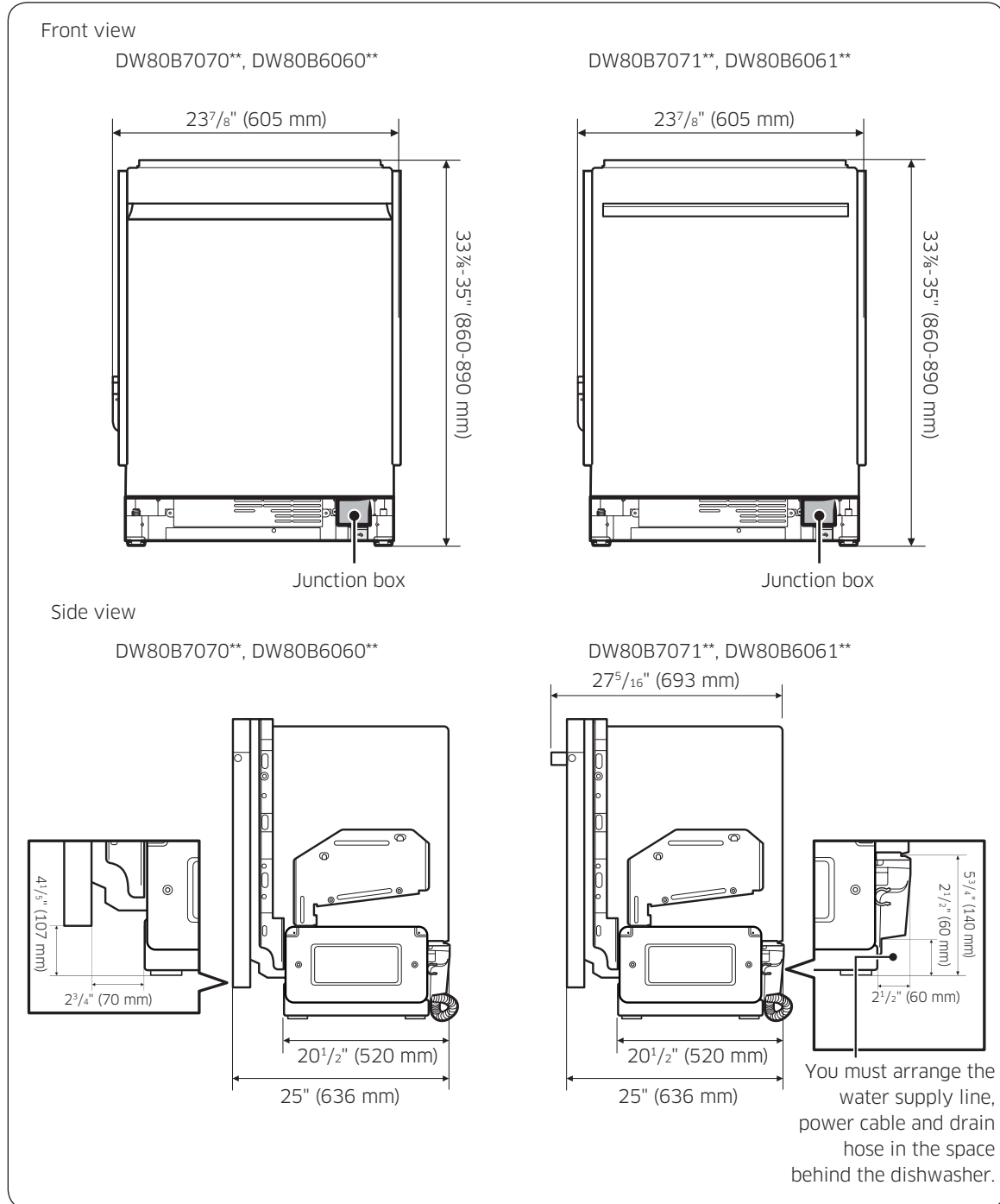
Figure 1-2



CAUTION

Make sure the edges of the cabinet hole are smooth before you insert the drain hose through the hole. Sharp edges from the cabinet hole may cause damage to the drain hose, resulting in a leak from the hose.

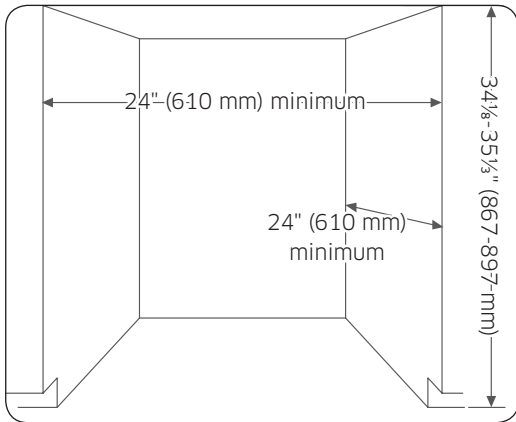
Product dimensions



Installation

Installation

Cabinet dimensions



NOTE

This dishwasher is designed to be enclosed on the top and on both sides by a standard residential kitchen cabinet unit.

The installation cabinet must be clean and free of any obstructions.

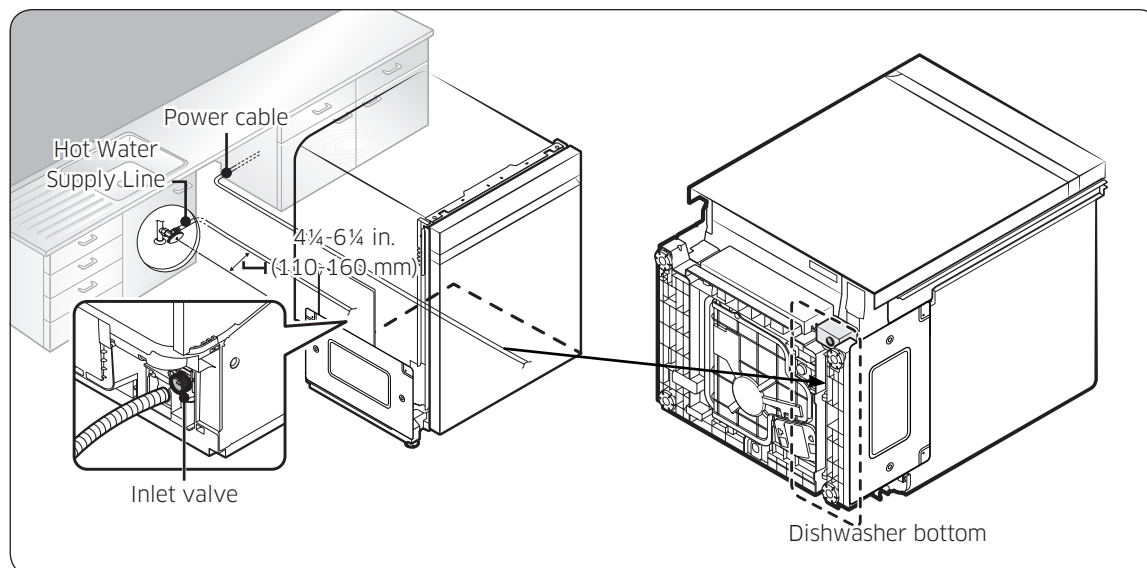
The cabinet must be at least 24 inches wide, 24 inches deep, and 34¹/₈ inches high.

For the front door of the dishwasher to be flush with the leading edge of the counter top, the counter top must be at least 25 inches deep.

STEP 3 Check water supply requirements and cautions

- The hot water supply line pressure must be between 20~120 psi (140~830 kPa).
- Adjust the water heater to deliver water between 120 °F (49 °C)~149 °F (65 °C).
 - The dishwasher must be connected to a hot water supply between 120 °F (49 °C)~149 °F (65 °C). This temperature range provides the best washing result and shortest cycle time. Temperature should not exceed 149 °F (65 °C) to prevent damage to dishes.
 - Ensure that the water supply valve is turned off before connecting the hot water supply line to the dishwasher.
 - Seal the hot water supply line connections using teflon tape or sealing compound to stop any water leakage.
 - The drain hose connected to the dishwasher must be run through the hole in the side wall so it can be connected to the drain outlet of the sink. When you install the dishwasher, ensure there is nothing on the drain hose and be careful not to damage it during the installation process.

Figure 2



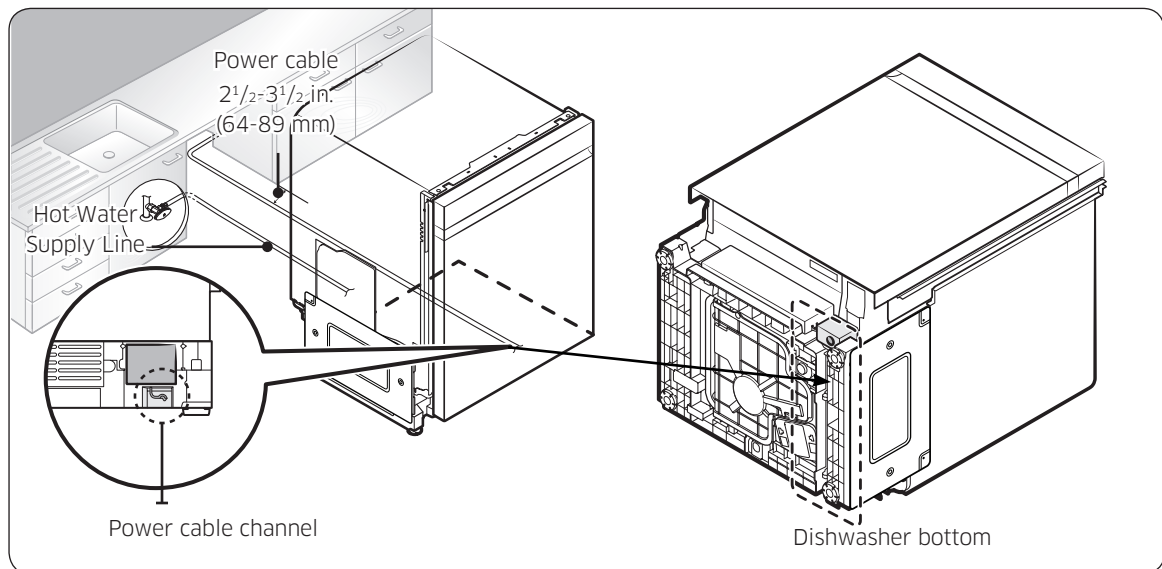
Installation

STEP 4 Check the electrical requirements and cautions

The electrical requirements for the dishwasher are as follows:

- In the United States, install in accordance with the National Electric Code/State and Municipal codes and/or local codes.
- In Canada, install in accordance with the Canadian Electric Code C22.1-latest edition/ Provincial and Municipal codes and/or local codes.
- For cable direct connections.
 - Use flexible, armored or non-metallic sheathed, copper wire with a grounding wire that meets the wiring requirements for your local codes and ordinances.
 - Use the strain relief method provided with the wiring junction box or install a U.L.-listed/CSA-certified clamp connector to the wiring junction box. If using conduit, use a U.L.-listed/CSA-certified conduit connector.

Figure 3

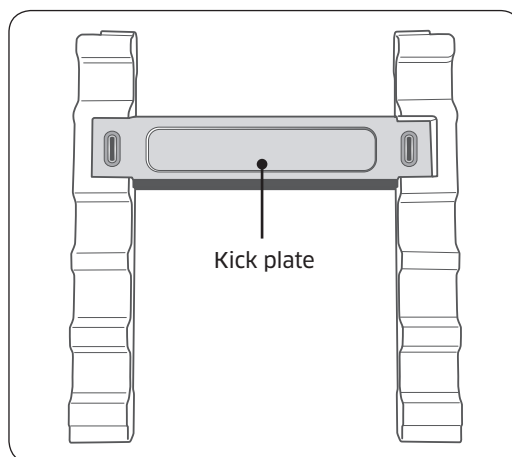


STEP 5 Unpacking and inspecting the dishwasher

Unpack the dishwasher in an open area free of obstruction both around the packaging and overhead. We recommend that you retain all of the packing materials until the dishwasher is fully installed and operational to ensure you have removed all the product's components from the packing materials prior to disposal.

Unpacking

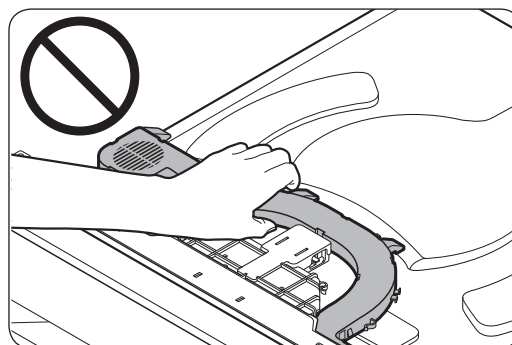
1. Position the carton right-side-up with top arrows pointing upwards.
2. Unbuckle or cut the straps securing the packaging.
3. Unpack the product packaging with care.
4. Put the straps and all of the packing materials from around the dishwasher inspecting them for any signs of damage.
5. Locate and set aside the dishwasher's kick plate. The Kick plate is attached to packing material of the dishwasher.



6. Lift the dishwasher from the packing tray, and then place it on the floor.

⚠ CAUTION

- ALWAYS LIFT THE DISHWASHER TO MOVE IT. Sliding it over rough surfaces can damage the dishwasher's feet and sliding the feet over finished surfaces can, in some cases, damage that finish or the underlying surface.
- Use caution, and do not grab the upper air duct when moving the dishwasher.



7. There is also packing inside the dishwasher that you may want to leave in place until the dishwasher is installed.
8. DO NOT, under any circumstances, remove the sound-absorbent padding that surrounds the exterior of the tub of the dishwasher.



Installation

Inspecting

Mechanical

1. Check the plastic base assembly to ensure that it is intact
2. Check the dishwasher's feet to ensure they are in place and can be adjusted so you can level and secure the dishwasher.
3. Check all the visible components on the bottom of the dishwasher to ensure they are intact and secure.
4. Check the door latch, the operation of the hinges, and confirm the door is properly secured to the dishwasher.

Plumbing

1. Check the hot water connection on the back left-side of the base of the dishwasher. The mounting plate should be secured to the back of the base, the threads inside the connection should be smooth and shiny, and the area should be clean and free of any debris.
2. Make sure the dishwasher and the accessories are all included in the package to ensure these assemblies are not cracked and that all connections are secure.
3. Check the drain hose for any holes or deformities that could allow a water leak during draining.

Electrical

1. Confirm the junction box cover is secured to the junction box on the front right-side of the base of the dishwasher.
2. Confirm the electrical box was not damaged during shipping and that it is secured to the base of the dishwasher.

Appearance

1. Confirm there are no dents or scratches on the front of the dishwasher.
2. Check the edges of the doors for any roughness or cracking.
3. Check the control panel to ensure it is clear and unscratched, and that all the control markers are in their proper places.

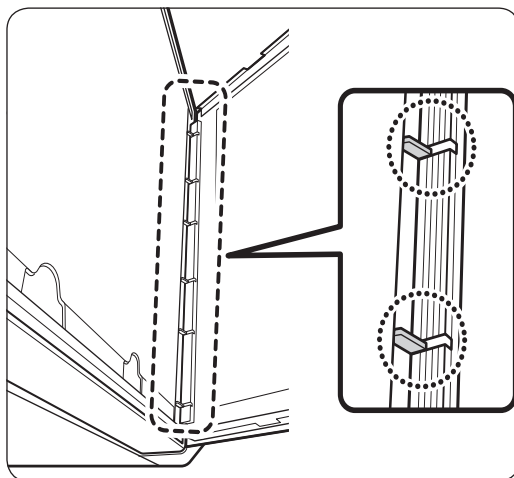
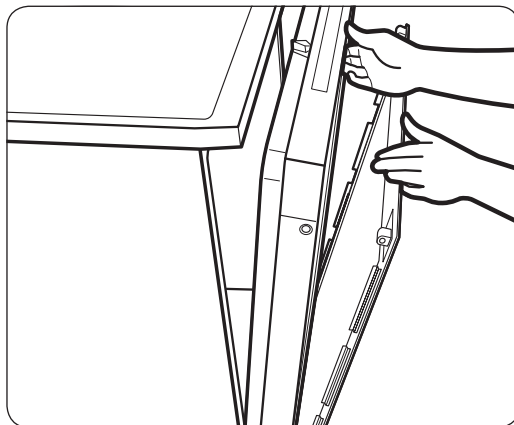
Parts

Confirm you have all the parts listed in **STEP 1** on **page 6**.

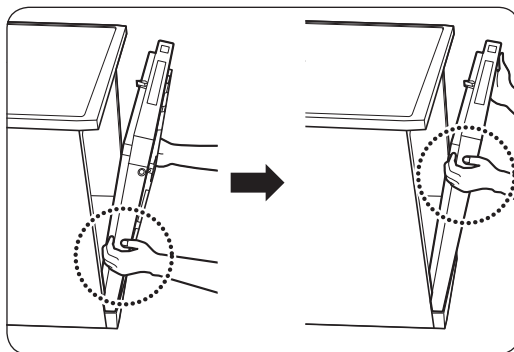


STEP 6 Mounting the custom panel

1. Open the door and fit the custom panel in the front bottom of the door. Make sure that the ribs of the panel fit into the corresponding holes (totaling 6) of the door.



2. While holding the door and the custom panel with both hands, press the panel evenly from bottom to top to lock into the dishwasher.

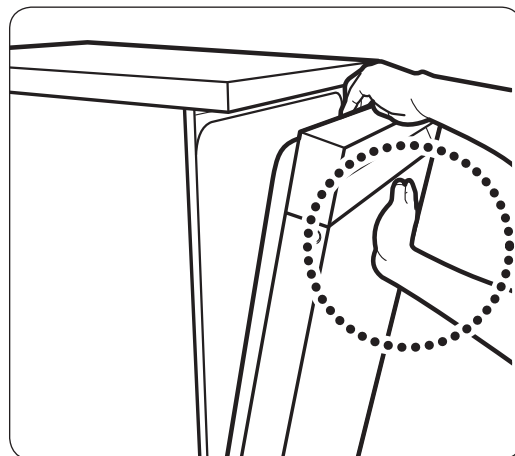


Installation

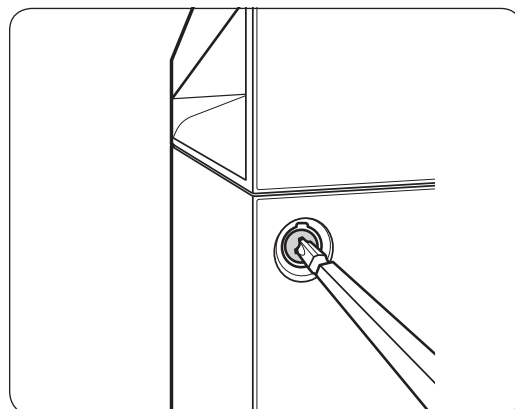
3. When both sides of the panel lock into place, press the top center of the custom panel to secure it to the top of the door.

 **NOTE**

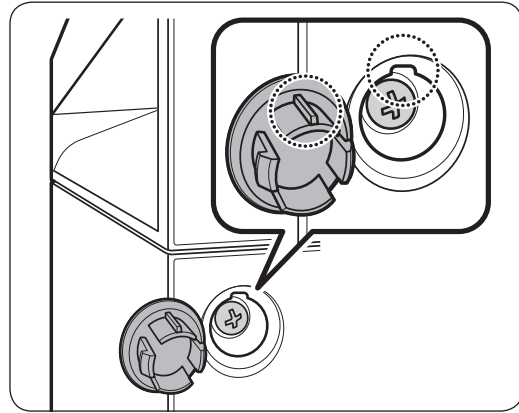
- Make sure that the custom panel fits in the dishwasher properly.
- If the gap between the dishwasher and the custom panel is below 2 mm, proper installation is done. For 2 mm or more, remove the custom panel and try again.



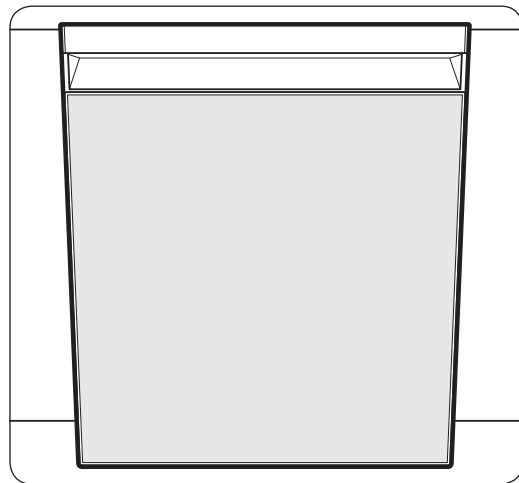
4. Unpack the caps and screws (two for each) included in the product package.
5. Tighten the screws on either side of the dishwasher.



6. Insert the caps on either side. Make sure the rib of the cap fits in the hole of the dishwasher in the right direction.



7. This is the completion of mounting the custom panel.



Installation

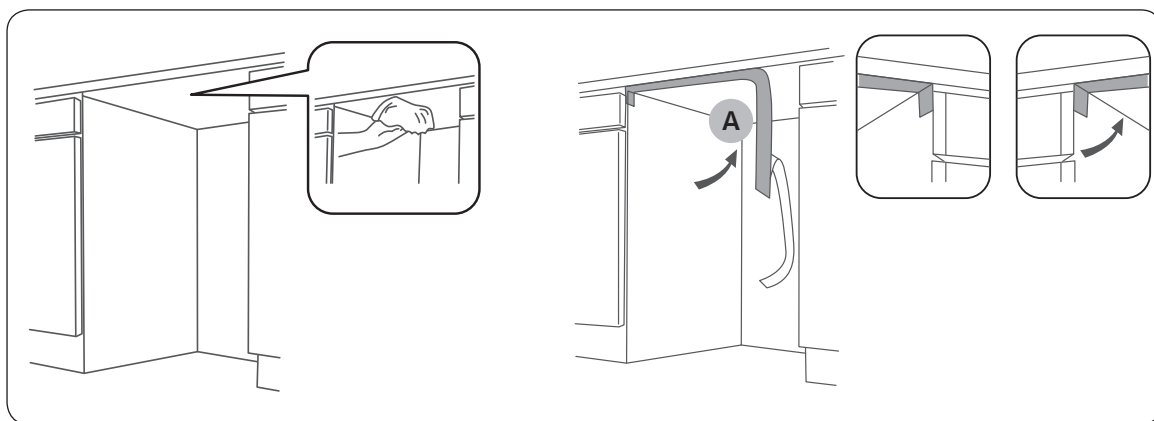
STEP 7 Preparing the dishwasher

1. Attach the protective sticker (A).

- To prevent damage, put the protective sticker on the bottom of the counter top as shown in the picture.

NOTE

- Before putting the protective sticker, clean the counter top as shown in the picture.
- For information, the length of the protective sticker is 26 inches (660 mm).

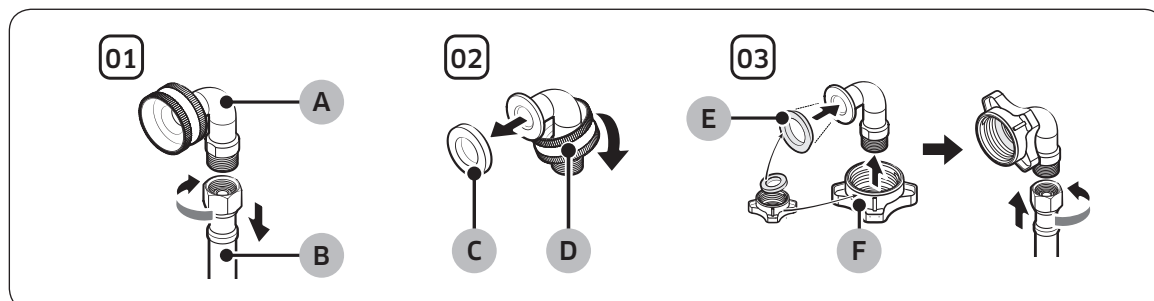


- ### 2. Ensure that the circuit breaker and water supply valve are turned off before proceeding with the following steps.

CAUTION

Before you move or lay down the dishwasher for installation, make sure to adjust the height of the legs so the legs are as short as possible. This prevents the legs from breaking. Level the dishwasher by adjusting the height of the legs after you have the dishwasher in place.

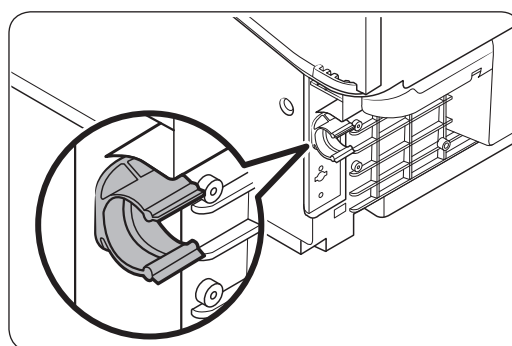
- Use the provided nut connector to connect the water hose to the dishwasher.
Follow these steps:



- Disconnect the 90° fitting (A) from the hose (B).
- Remove the seal (C) and the nut (D) from the 90° fitting.
- From the provided nut connector, separate the seal (E) and the nut (F), and then assemble them to the 90° fitting as shown in the figure. You must insert the smaller side of the seal.
- Then, insert the $\frac{3}{4}$ " 90 degree fitting into the inlet valve (See **Figure 4-B**). Tighten until the $\frac{3}{4}$ " fitting is tight. Do not over tighten.
- Detach the Velcro strips that secure the drain hose to the back of the dishwasher. Roll-out the hose. Make sure there are no kinks and that the hose is not bent at any extreme angles that could constrict the flow of water.
- Remove the junction box cover located at the bottom front right of the dishwasher using a screwdriver, and then Install the strain relief (**Figure 4-C**). Make sure to keep the junction box cover you removed. It is used in **STEP 12**, Wiring Connections.
- If the countertop is made of wood or a material that is not damaged by drilling, attach the two (2) Installation brackets that were supplied with the dishwasher using the supplied screws (**Figure 4-A**). They will be used in **STEP 10**, Securing the Dishwasher.

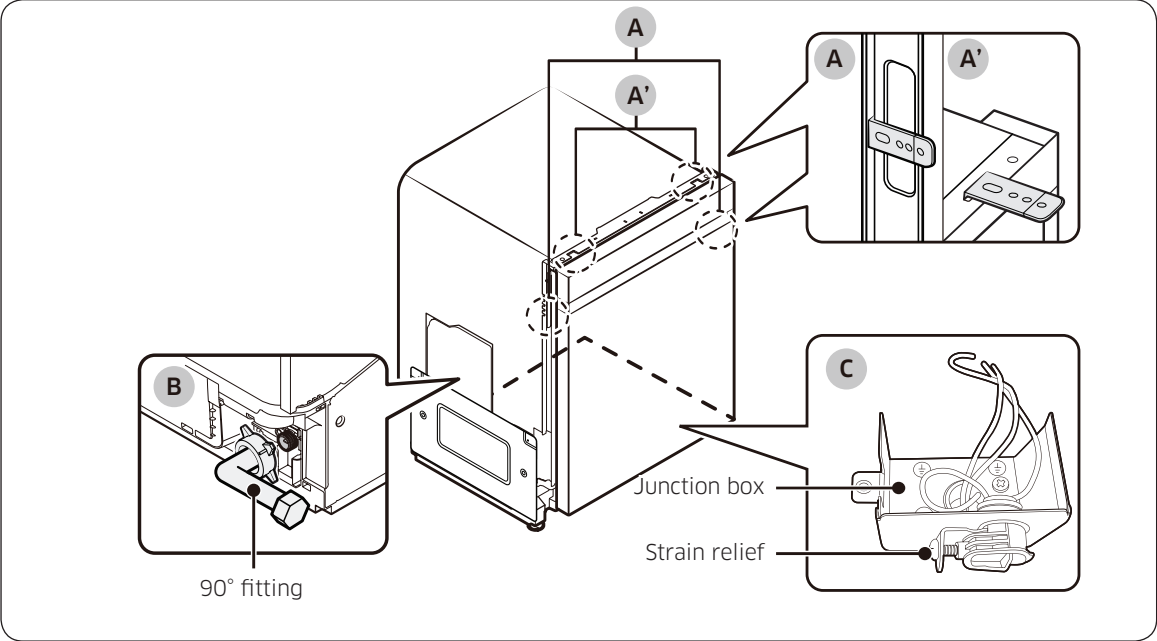
If the drain hose needs to go to the right of the dishwasher, secure the drain hose into the drain hose bracket, mounted on the base.

The drain hose bracket can be adjusted in 3 positions. To adjust the height of the drain hose bracket, gently squeeze the bracket and turn it too the left. Insert the bracket in the desired position and turn it to the right to lock it into place.



Installation

Figure 4



CAUTION

Do not overtighten the 90° Fitting. (Below 280 lb-in (31.6 N·m))
Doing so may damage the water inlet valve and cause a water leak.

STEP 8 Placing the dishwasher and connecting the hot water supply line

1. Adjust the three leveling legs at the bottom of the dishwasher after measuring the height of the cabinet opening from under the countertop to the floor. (See **STEP 9**, Leveling the Dishwasher.)
2. Locate the hot water supply line and the power cable.
3. Place the dishwasher so that the hot water supply line is in the left side and the power cable is in the right channel of the base of the dishwasher. The right-side channel for the power cable has a built-in hook on the base so that you secure the power cable.
4. Pull the drain hose through the hole in the sink cabinet side wall. Keep it free of kinks.
5. Make sure the hot water supply line is not twisted, and then connect the hot water supply line to the fitting joint.
6. Slide the dishwasher carefully into the installation space. If possible, gently pull any excess lengths of water supply line, drain hose, or power cable back as you move the dishwasher. Get a second person to help you do this if necessary.

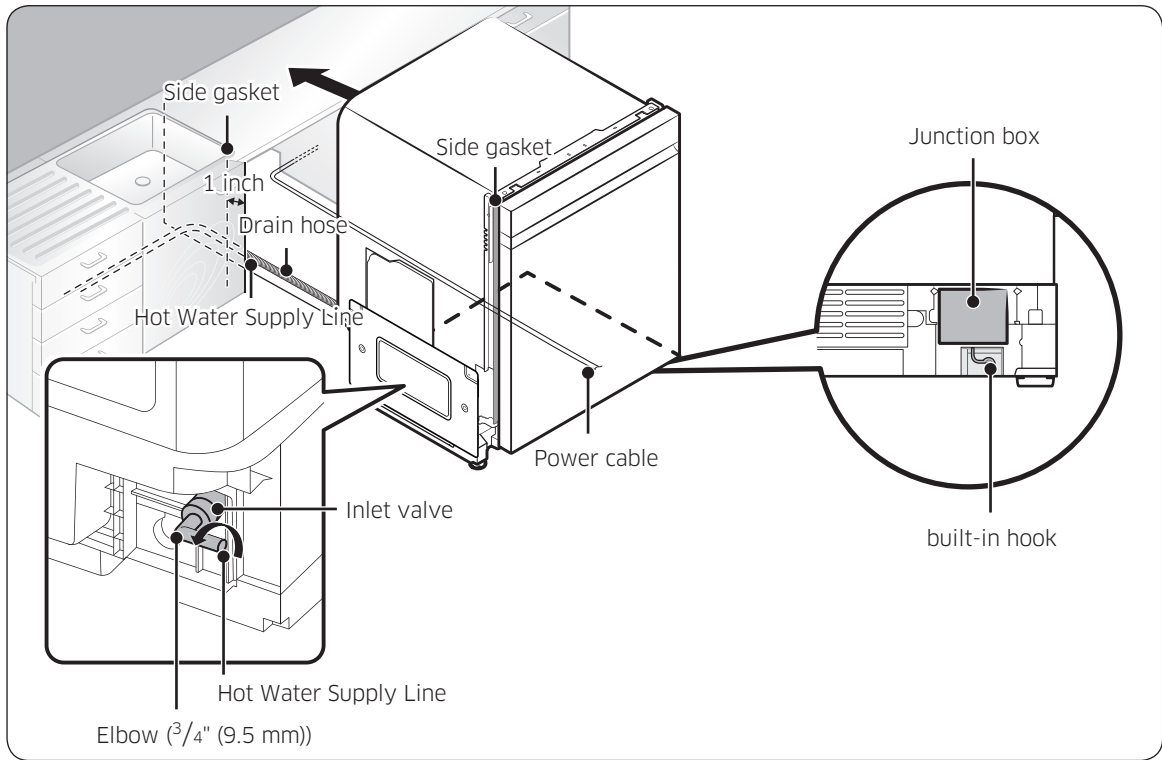
CAUTION

Do not place the dishwasher on the water supply line, drain hose, or power cable. Also, make sure they are not folded or twisted.

- Make sure the supply line is properly connected.
Wrap Teflon tape around every connection to prevent water leaks.
Make sure the side gaskets are inserted seamlessly. Otherwise, it may increase noise when the dishwasher is operating.
- Make sure both side gaskets are $^{13}/_{16}$ " to 1" (20-25 mm) backward from the front end of the kitchen cabinet. Less distance may increase noise when the dishwasher is operating.

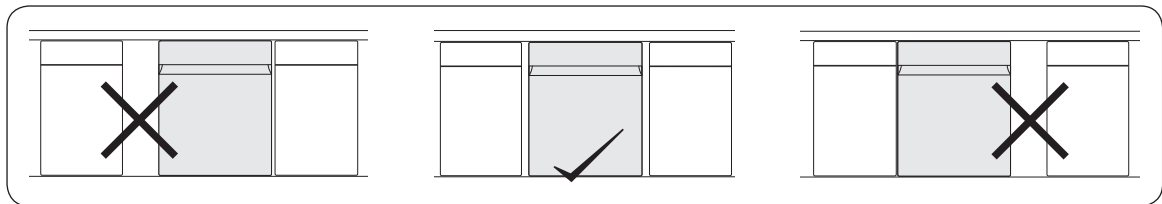
Installation

Figure 5



⚠ CAUTION

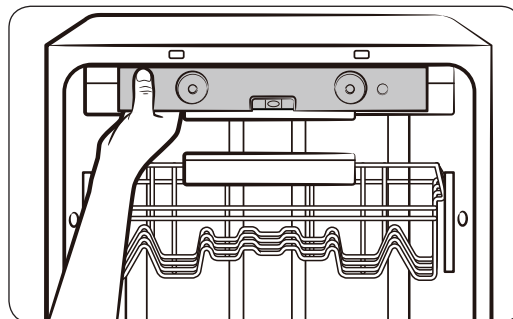
Do not overtighten the 90° Fitting.
Doing so may damage the water inlet valve and cause a water leak.



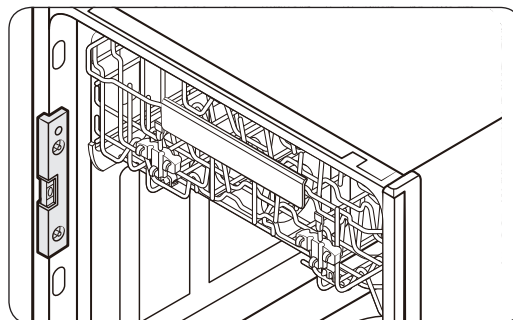
Make sure the dishwasher is positioned to the center.

STEP 9 Leveling the dishwasher

1. Open the door and place the level against the top of the tub on the inside and check if the the dishwasher is level. If it is not level, rotate the leveling legs at the bottom front of the dishwasher until the dishwasher is level. See the first note below for instructions on adusting the height of the front legs.



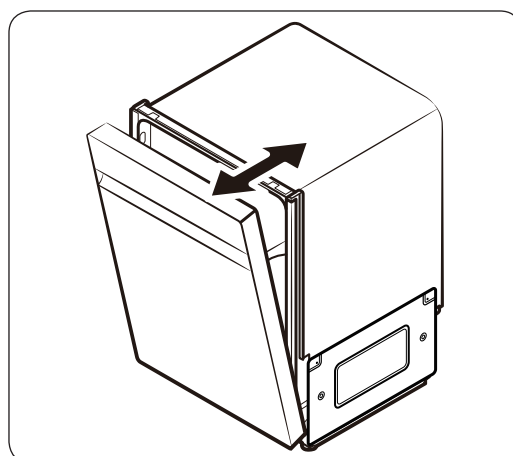
2. Use the level to check if the dishwasher is level front to back, as shown in the figure to the right. If the dishwasher is not level front to back, adjust the height of the rear leg until the dishwasher is level. See the second note below for instructions on adusting the the rear leg.



NOTE

To prevent leaks from the door, make sure that the front of the dishwasher is not lower than the back.

3. Open the door of the dishwasher and check if both the tub and door clearances are correct. If not, rotate the leveling legs on the bottom front of the dishwasher. You can aslo check this by placing a level against an inside front vertical surface of the tub.



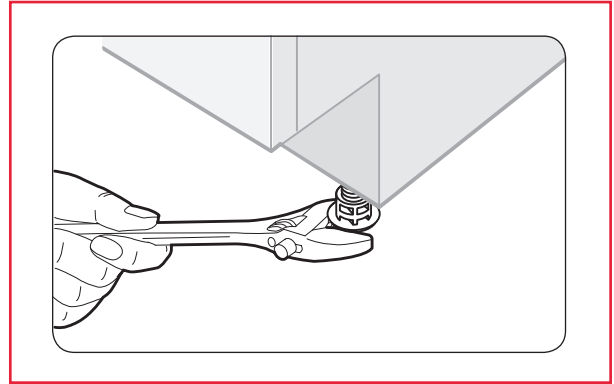
Installation



Flat screwdriver

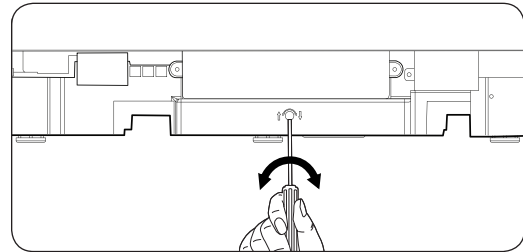
NOTE

- If the leveling legs are rotated to the left (clockwise), they are loosened and the front of the dishwasher is raised. If they are rotated to the right (counter clockwise), they are tightened and the front of the dishwasher is lowered.
- You can adjust the leveling legs by a max of $16/32$ " However, leveling up to the max height is not recommended.



NOTE

To adjust the height of a rear leg, turn the T20 Torx (at the front of the base) to the left to raise the back of the dishwasher using the proper tool (T20 Torx).



CAUTION

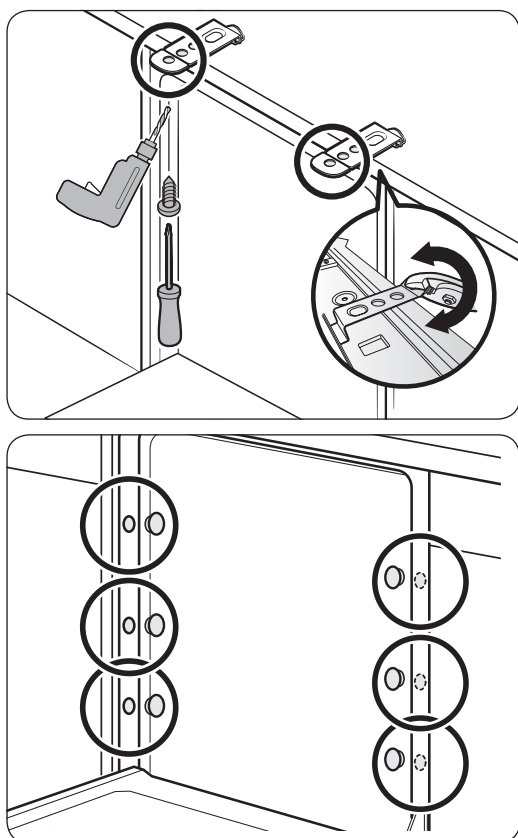
- Before you move the dishwasher for installation, make sure to adjust the height of the legs so the legs are as short as possible. This prevents the legs from breaking. Level the dishwasher by adjusting the height of the legs after you have the dishwasher in place.
- If the product is installed unlevelled or with the leg missing, the door may not close completely, causing a leak of steam or water.
- When adjusting the height of the dishwasher, make sure the top gasket is inserted seamlessly underneath the top of the kitchen cabinet. Otherwise, it may increase noise when the dishwasher is operating.

STEP 10 Securing the dishwasher

You must secure the dishwasher to the countertop or cabinet side walls for additional stability and safety.

To the countertop

If the countertop is made of wood or the material will not be damaged by drilling, follow this.



1. Put a large towel into the bottom of the dishwasher (covering the filter) to prevent wood shavings or a dropped screw from falling into the sump.
2. Insert the provided brackets into the top front holes of the dishwasher as shown.

If the brackets are too long, cut them down using pliers.

3. Pre-drill the overlapping holes of the brackets.
Make sure the hole is smaller than the diameter of the screw.
4. Tighten the provided screws.

5. Assemble the provided plastic caps as shown.

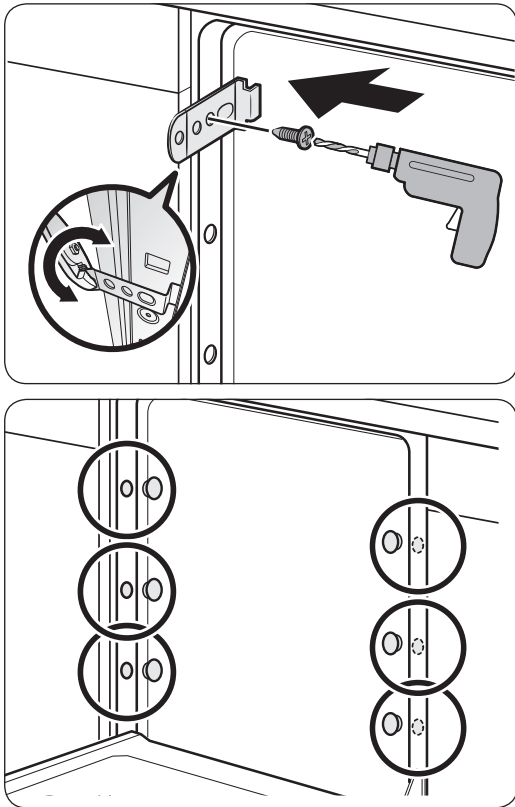
⚠ CAUTION

- After installing the dishwasher inside the cabinet, check if the door opens and closes freely with no interruption with the cabinet.
- If the plastic caps are not assembled, water may leak and cause a fire or electric shock.

Installation

To the sides

If the countertop is made of granite, marble, or any other material that can be damaged by drilling, follow this.



1. Put a large towel into the bottom of the dishwasher(covering the filter) to prevent wood shavings or a dropped screw from falling into the sump.
2. Insert the provided brackets into the side front holes of the dishwasher as shown.
If the brackets are too long, cut them down using pliers.
3. Pre-drill one hole into both sides of the kitchen cabinet.
Make sure the hole is smaller than the diameter of the screw.
4. Tighten the provided screws.
5. Assemble the provided plastic caps as shown.

⚠ CAUTION

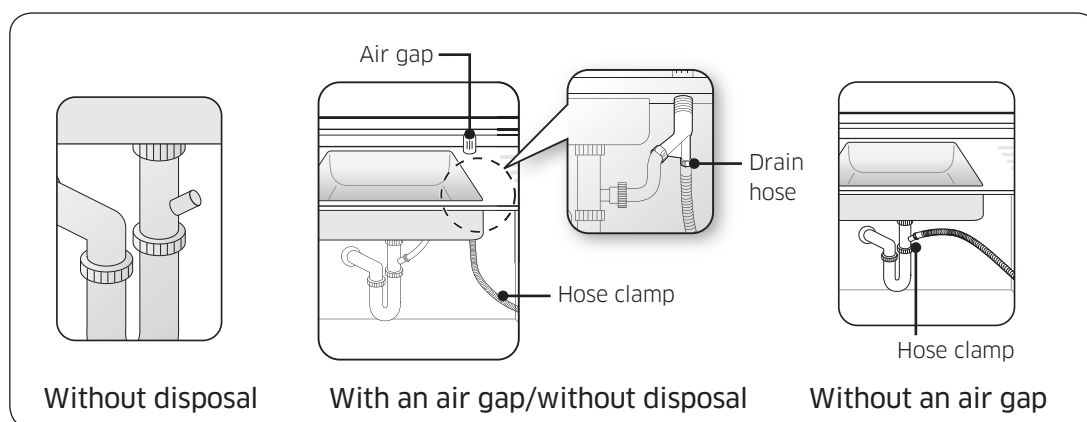
- After installing the dishwasher inside the cabinet, check if the door opens and closes freely with no interruption with the cabinet.
- If the plastic caps are not assembled, water may leak and cause a fire or electric shock.

STEP 11 Securing

1. Check the parts on the sink to which the drain hose will be connected.
2. There are several ways to insert the drain hose into the drain hose connector of the sink, as shown in the following figures. You must connect the drain hose in accordance with the water pipe installation regulations in your region.

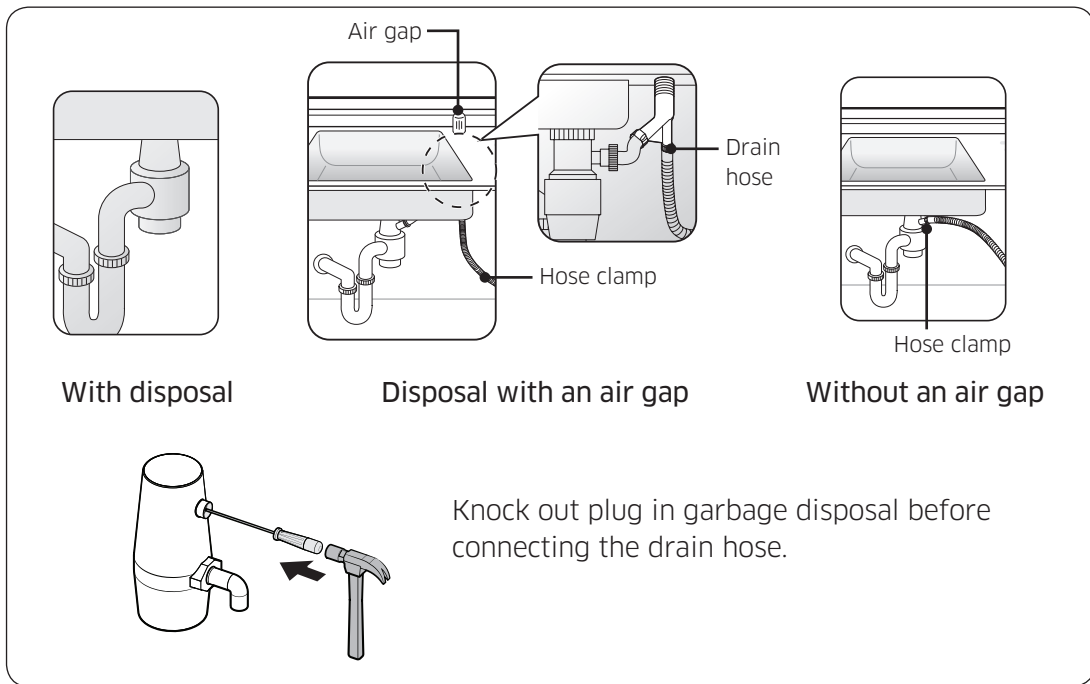
Figure 8

Case 1. Without disposal



Case 2. With disposal

Installation



3. Check the size of the sink's drain hose connector. If needed, cut the drain hose so its end fits onto the sink connector ($\frac{5}{8}$ in. or 1 in. - as shown in **Figure 9** below). If the end of the drain hose does not fit onto the drain hose connector of the sink, use an adaptor purchasable at a plumbing/hardware supply store.
4. Slide a hose clamp over the end of the drain hose. Attach the drain hose to the sink connector, slide the hose clamp to the end of the hose, and then tighten the hose clamp.

NOTE

You must use a hose clamp. Failure to do so may cause water leakage.

5. To prevent backflow, secure the drain hose to the side or back wall of the kitchen cabinet using cable ties or other fixtures. Make sure the drain hose height is at least 10 inches from the sink connector. (See **Figure 10**.)
6. When drilling a hole for the drain hose on the cabinet wall, take caution not to damage the drain hose by sharp edges of the hole. On wooden walls, use sand paper to soften the edges.
On metal walls, use insulation tape or duct tape to cover the sharp edges around the hole.
7. Take caution not to damage the drain hose when installing the dishwasher on the floor, wall, or cabinet.

 **NOTE**

To prevent leaks or drainage problems, make sure the drain hose is not damaged, kinked, or twisted.

8. Do not cut the ribbed area of the drain hose to fit the size. When arranging the drain hose, take caution not to contact on sharp edges of the cabinet or under-sink.

 **CAUTION**

- Be careful when cutting off the end of the drain hose as there is a risk of injury. Clean around the sink's drain connection so that it does not damage the hose. Check for any foreign items in the drain hose and remove them.
- When arranging the drain hose, make sure the drain hose is not cut, torn, or broken by any sharp edges of the floor, the product itself, or the cabinet. A damaged drain hose causes a leak.
- Make sure to remove the plug from the food disposal.

Installation

Figure 9

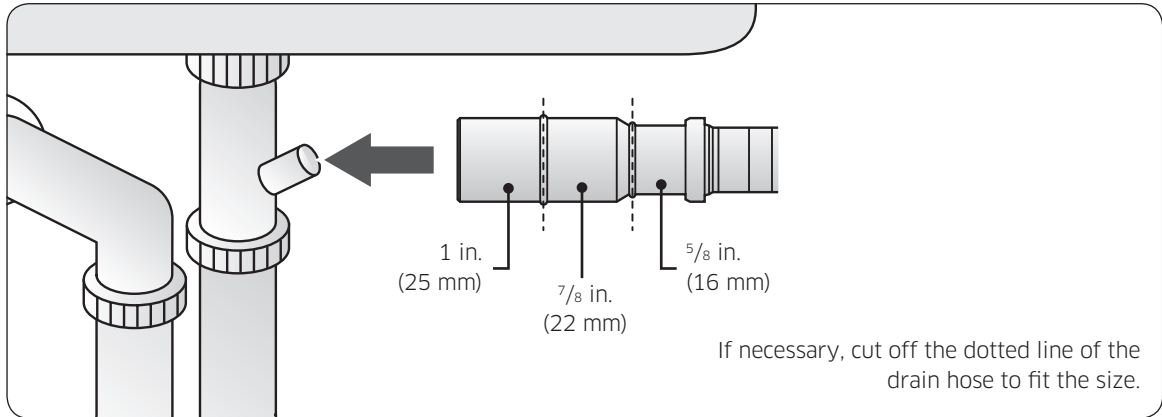
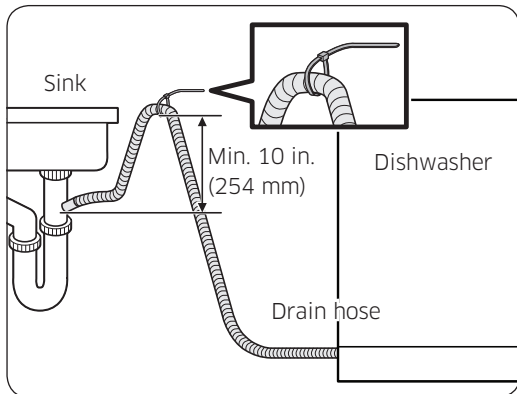


Figure 10

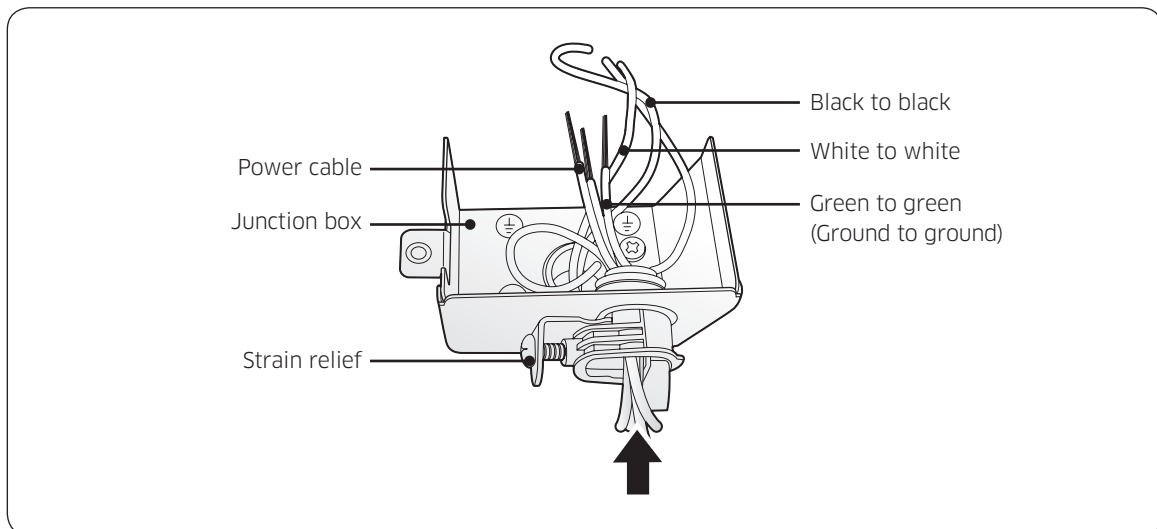


To prevent backflow for models without the air gap, secure the drain hose to the side wall of the kitchen cabinet using cable ties or other fixtures. Make sure the drain hose is high at least 10 inches from the sink connector.

STEP 12 Wiring connections

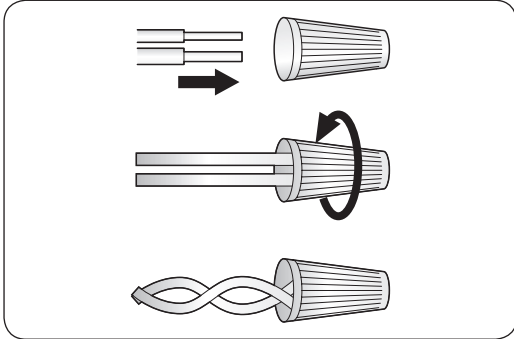
1. Before connecting the power cable to the dishwasher, make sure the circuit breaker is off.
2. In the junction box located at the front bottom right of the dishwasher, find the three power wires from the dishwasher including the grounding line.
3. Pass the power cable through the strain relief, and then into the junction box (Figure 11).
4. Connect the black wire of the dishwasher to the black wire of the power cable by inserting both into a wire nut, and then rotating the wire connector as shown in Figure 12.
Connect the white wire to the white wire and the green to the green in the same manner.
5. Recheck each wire to ensure it is connected correctly and securely.
Each colored wire should be connected to the corresponding wire of the same color.
White should be connected to white, black to black, and green to green.
6. Reconnect the junction box cover on the dishwasher.

Figure 11



Installation

Figure 12



⚠ WARNING

- **Electrical Shock Hazard**
To avoid electrical shock, do not work on an energized circuit. Doing so could result in serious injury or death. Only qualified electricians should perform electrical work. Do not attempt any work on the dishwasher electric supply circuit until you are certain the circuit is de-energized.
- **Fire Hazard**
To avoid a fire hazard, make sure electrical work is properly installed. Only qualified electricians should perform electrical work.

📄 NOTE

Recheck each wire to ensure it is connected correctly and securely. Each colored wire should be connected to the corresponding wire of the same color. The wire should not be twisted counterclockwise.

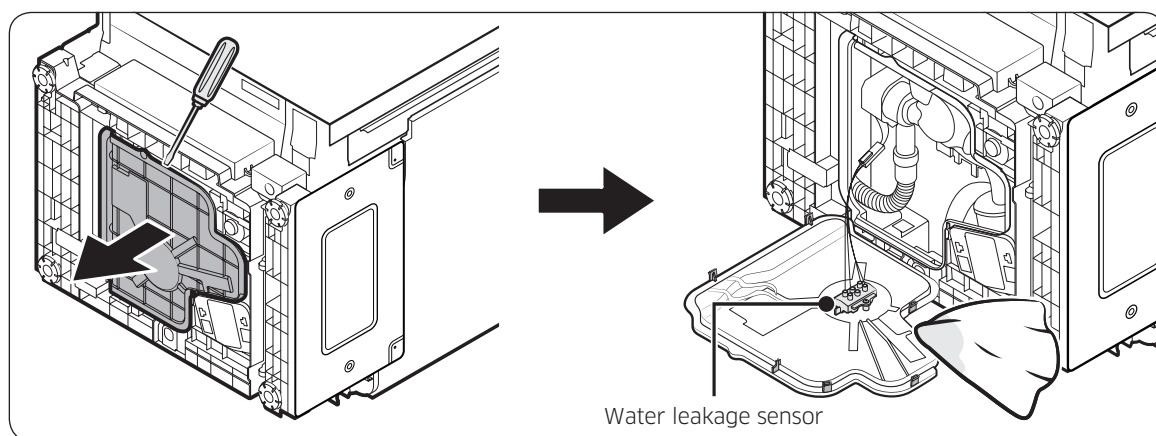
STEP 13 Completing the installation

1. Open the door and remove all foam, paper packaging, and unnecessary parts.
2. Turn on the circuit breaker you turned off before you began the installation.
3. Open the water supply valve to supply water to the dishwasher.
4. Turn on the dishwasher, and then select and run a cycle.

⚠ CAUTION

Make sure to check for water leakage on both ends of the water supply line and drain hose connector.

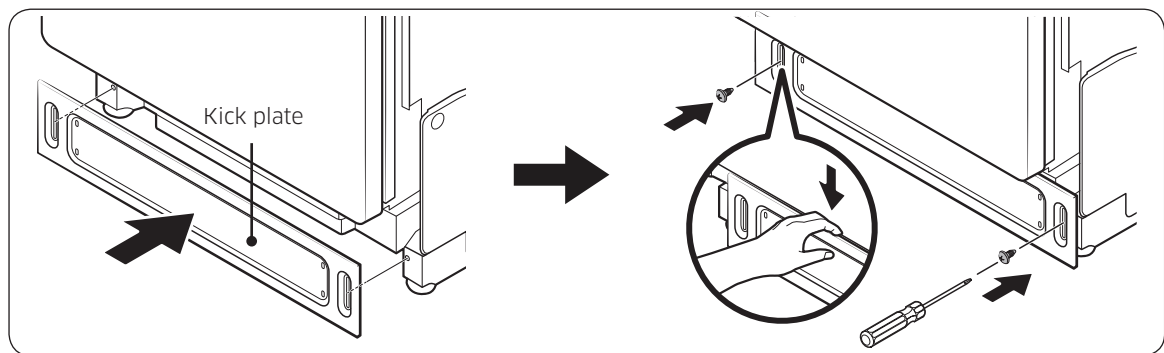
5. Check if the dishwasher turns on properly and check also if there is any leak. If there is no problem, turn the dishwasher off. Skip **Steps 6** through **11** and go to **Step 12**.
6. If the leakage check code of "LC" appears on the window panel, press and hold the **Start** button for more than 3 seconds to start draining. When the draining is complete, unplug the dishwasher and close the water supply valve.
7. Check if the inlet valve leaks. If so, reconnect the 90° fitting with the hot water supply line because they are not properly connected.
8. Once the leak is stopped, lay down the dishwasher as shown, and wipe out moisture from the water leakage sensor.



9. Plug in the dishwasher, open the water supply and start the Smart Install Cycle.
 - a. With the power on, press **Delay Start** until "17h" is displayed.
 - b. Press **Hi-Temp Wash** for 7 seconds until "AS" is displayed.
 - c. Press **Start** and closes the door. The Smart Install Cycle will start.
 - d. The Smart Install Cycle will run for about 7 minutes.
 - e. Then the dishwasher door will open and flash the number "5" for about 1 minute.
 - f. Then "Ot" will be displayed upon successful completion of the Smart Install Cycle.

Installation

10. If the "LC" information code continues to appear on the window panel, contact a local service center.
11. Finally, attach the kick plate to the bottom of the dishwasher. While keeping the rubber skirt of the door taut, push the kick plate from the front of the rubber skirt inward underneath the door of the dishwasher. Make sure the gaskets of the kick plate are flush with the floor and side walls. Then, tighten the screws to fix the plate.



⚠ CAUTION

Make sure the kick plate does not interfere with the dishwasher's door opening and closing. Try to open the door 90 degrees, and make sure the door fully opens without any noise.

Specifications

Power supply	120 V, 15 A, 60 Hz AC
Water pressure	20~120 psi (140 ~ 830 kPa)
Dimensions (Width × Depth × Height)	23 ⁷ / ₈ × 25 × 33 ⁷ / ₈ in. (605 × 636 × 860 mm) (DW80B7070AP / DW80B7070U* / DW80B6060U*)
	23 ¹³ / ₁₆ × 26 ³¹ / ₃₂ × 33 ⁷ / ₈ in. (605 × 685 × 860 mm) (DW80B7071U* / DW80B6061U*)
Minimum inlet water temperature	120 °F (49 °C)

NOTE

Specifications are subject to change without notice for quality improvement purposes.
The actual appearance of the dishwasher may differ from the illustrations in this manual.

Memo

Memo

SAMSUNG



DD68-00242A-00