

RF29CB9900QK

SAMSUNG

Bespoke 4-Door Flex™ Refrigerator (29 cu. ft.) with Family Hub™ +



Signature Features

Color Customization

Customize the design of your refrigerator with changeable door panels. Choose from a variety of colors and two finishes to create a space that fits your style.¹

¹Purchased only as a fixed color combination (Charcoal Glass/Stainless Steel). All panels except for Family Hub™ screen panel remain customizable with current Bespoke color offering.

Family Hub™ +

The Family Hub™+ refrigerator helps you connect to what's most important: your family and home. Family Hub™+ lets you see inside your smart refrigerator, manage calendars, stream music, see who's at the front door² and much more — all right from your fridge. With a huge 32" screen that's 2 x larger than current Family Hub models³, you can enjoy an enhanced and richer user experience.

²Compatible door bell is sold separately.

³Compared to current Family Hub™ models

Beverage Center™

Enjoy quick access to refreshingly cool, filtered water in two ways. Choose from an internal dispenser or a built-in AutoFill Water Pitcher that automatically refills, with the option to infuse with a flavor.

Dual Ice Maker with Ice Bites™

Select from cubed ice or Ice Bites™ that chills your drink faster.⁴

⁴Compared to cubed ice

Available Colors*



Charcoal Glass Top and Family Hub™+ Panels with Stainless Steel Bottom Panels



Beverage Center™



Dual Ice Maker with Ice Bites™

Design

- Bespoke Design
- Beverage Center™
- Slide-In Shelf
- LED Lighting
- Gallon Door Bins

Technology

- Family Hub™+
- Wi-Fi Enabled
- Power Cool & Power Freeze
- Door Alarm
- Water Filter Indicator
- Sabbath Mode

Performance

- FlexZone™
- Dual Auto Ice Maker with Ice Bites™ and Cubed Ice
- Extra-Large Flexible Storage
- FlexCrisper
- Triple Cooling
- Metal Cooling



Rating



ENERGY STAR® rated:
698 kWh/yr

RF29CB9900QK

SAMSUNG

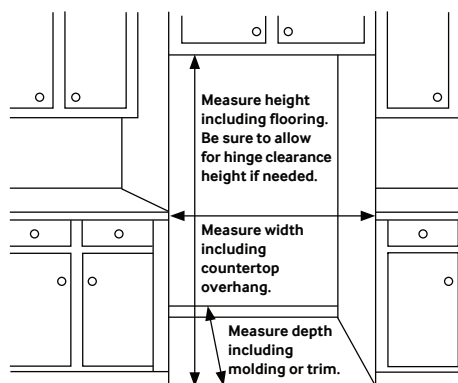
Bespoke 4-Door Flex™ Refrigerator (29 cu. ft.) with Family Hub™+

Installation Specifications

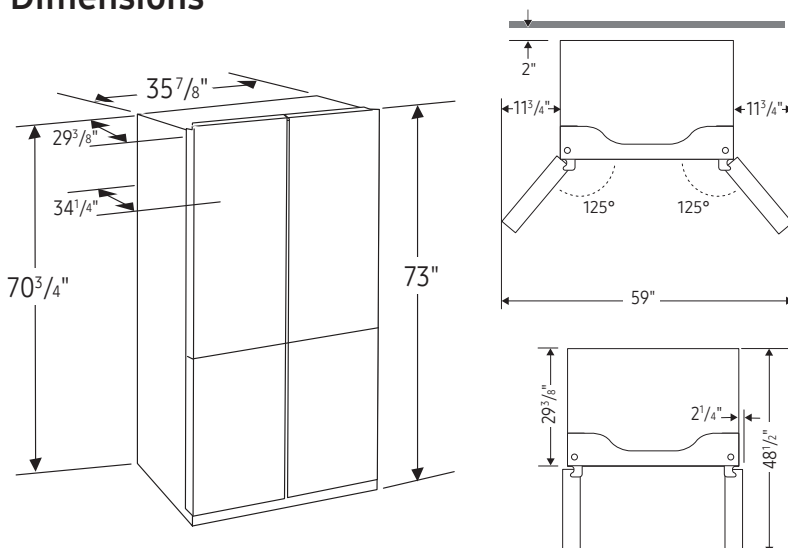
1. Measure the height, width and depth of the opening, making sure to include baseboards, molding tile, countertop overhang, etc. Check to be sure there is enough room to open the door (consider walls, islands or other obstacles when measuring).
2. Refer to illustration below to determine dimensions.
3. Allow 2.5" of clearance on hinge side of refrigerator when installing next to a wall where handle may make contact.
4. Allow 1" minimum clearance at rear for proper air circulation and water/electrical connections. Allow a 3/8" minimum clearance at sides and top for ease of installation.
5. Ensure each door and entryway in the home is wide enough for the refrigerator to be moved through easily.

For optimal usage and ability to open refrigerator doors completely, do not install next to a wall.

Please note: The following dimensions and cutout information is for planning purposes only. For complete installation details, consult manual packed with product or download manual online at samsung.com.



Dimensions



Total Capacity: 28.6 cu. ft.

Refrigerator: 17 cu. ft.

- 1 Slide-In Shelf, 3 Tempered Glass Spill-Proof Shelves
- 2 Clear Drawers: FlexCrisper and Crisper
- 6 Door Bins
 - Right: 1 Gallon Bin, 2 Regular Bins
 - Left: 1 Gallon Bin, 2 Regular Bins
- LED Lighting

Freezer: 11.6 cu. ft.

- Dual Ice Maker in Freezer (Cubed Ice or Ice Bites)
 - 2 Ice Buckets with Cover and 1 Scoop
- 4 Slide-Out Shelves
- 6 Door Bins
- Wine Rack
- LED Lighting

Accessories

Water Filter: HAF-QIN

Warranty

One (1) Year Parts and Labor on Refrigerator
Five (5) Years Parts and Labor on Sealed Refrigeration System Only*
Ten (10) Years Parts and Five (5) Years Labor on Digital Inverter Compressor

*Compressor, evaporator, condenser, drier and connecting tubing.

Product Dimensions & Weight

Dimensions (WxHxD with hinges and doors):

35 7/8" x 73" x 34 1/4"

Dimensions (WxHxD without hinges and door):

35 7/8" x 70 3/4" x 29 3/8"

Weight: 359.3 lbs

Shipping Dimensions & Weight (WxHxD)

Dimensions: 38 1/4" x 78 5/8" x 36 1/4"

Weight: 381.3 lbs

Color

Charcoal Glass Top and Family Hub™+ Panels with Stainless Steel Bottom Panels

Model

RF29CB9900QKAA

UPC Code

887276750293