

RT18DG6700SR

SAMSUNG

18 cu. ft. Top Freezer Refrigerator with Ice Maker in Stainless Steel



Signature Features

All-Around Cooling

- Multi-vent technology keeps items evenly cooled on every shelf.

Garage-Ready

- Designed to withstand wide fluctuations in external temperatures from 38°F to 110°F, ideal for a garage environment.

Automatic Ice Maker

- The automatic ice maker produces ice quickly and efficiently, ensuring that there's always a steady supply.

* External filter not included.

Available Color



Fingerprint Resistant
Stainless Steel



All-Around Cooling



Garage-Ready

Features

- AI Energy Mode
- All Around Cooling
- Garage-Ready
- ENERGY STAR® Compliant
- True No-Frost Technology
- Auto Ice Maker
- LED Top Lighting
- Vegetable Bins
- Dairy Bin

Convenience

- Reversible Door
- Recessed Door Handle
- Sabbath Mode

Rating



ENERGY STAR®-rated:
446 kWh/yr



ADA Compliant

RT18DG6700SR

SAMSUNG

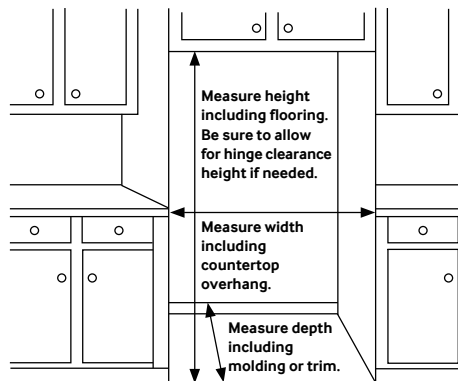
18 cu. ft. Top Freezer Refrigerator with Ice Maker in Stainless Steel

Installation Specifications

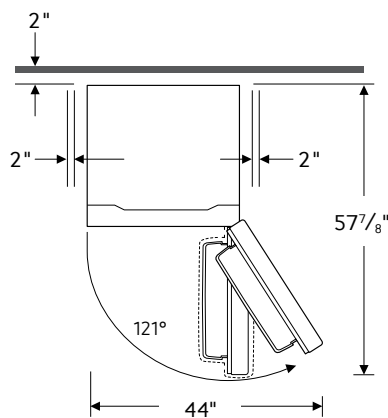
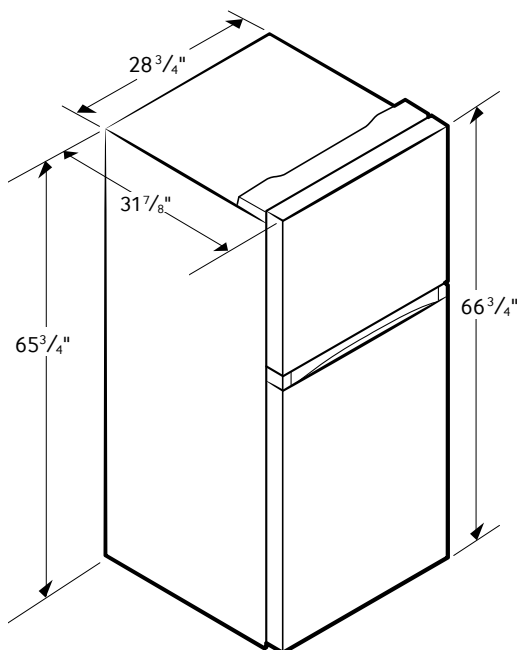
1. Measure the height, width and depth of the opening, making sure to include baseboards, molding tile, countertop overhang, etc. Check to be sure there is enough room to open the door (consider walls, islands or other obstacles when measuring).
2. Refer to illustration below to determine dimensions.
3. Allow 2.5" of clearance on hinge side of refrigerator when installing next to a wall where handle may make contact.
4. Allow 2" minimum clearance at rear for proper air circulation and water/electrical connections. Allow a 3/8" minimum clearance at sides and top for ease of installation.
5. Ensure each door and entryway in the home is wide enough for the refrigerator to be moved through easily.

For optimal usage and to be able to open refrigerator doors completely, do not install next to a wall.

Please note: The following dimension and cutout information is for planning purposes only. For complete installation details, consult manual packed with product, or download manual online at samsung.com.



Dimensions



NOTE: Please allow $3\frac{3}{4}$ " of clearance when installing along a wall.

Total Capacity: 17.5 cu. ft.

Refrigerator: 12.7 cu. ft.

- Dairy Bin
- 2 Vegetable Bins
- LED Top Lighting

Freezer: 4.8 cu. ft.

- 1 Glass Shelf

Warranty

One (1) Year Parts and Labor on Refrigerator

Five (5) Years Parts and Labor on Sealed Refrigeration System Only*

Ten (10) Years Parts and Five (5) Years Labor on Digital Inverter Compressor

*Compressor, evaporator, condenser, drier and connecting tubing.

Product Dimensions & Weight

Dimensions (WxHxD with hinges, handles and doors): $28\frac{3}{4}$ " x $66\frac{3}{4}$ " x $31\frac{7}{8}$ "

Dimensions (WxHxD without hinges and doors): $28\frac{3}{4}$ " x $65\frac{3}{4}$ " x $28\frac{1}{2}$ "

Weight: 169.7 lbs.

Shipping Dimensions & Weight (WxHxD)

Dimensions: $30\frac{1}{8}$ " x $70\frac{5}{8}$ " x $33\frac{1}{2}$ "

Weight: 185.1 lbs.

Color

Fingerprint Resistant
Stainless Steel

Model #

RT18DG6700SR

UPC Code

887276835945