

DW18S2IPV

DISHWASHER 18" STANDARD TUB PANEL READY
V TIER



Energy Star rated panel-ready standard tub dishwasher able to fit up to 8 place settings.

Customizable and effective washing and drying with 6 washing cycles, 5 washing options and ActiveDry system.

NSF-certified Sanitize option elevates washing temperature to 155°F for perfect and sanitized cleaning, eliminating 99.9% of all common household bacteria.

Dual pump system and triple-stage metal filter ensures consistent cleaning results.

Optionally choose Professional or Master Series handle kit to match your cooking and refrigeration appliances.

PRODUCT FEATURES

| | |
|----------------------------|--|
| Style | Panel ready for custom cabinet door, standard tub |
| Interior finish | Stainless steel |
| User interface | Concealed loop button control |
| Display | White LED |
| Place settings | 8 |
| Racks | 2: height adjustable not loaded middle rack and folding tines lower rack |
| Silverware basket | Yes - removable |
| Delayed start | Yes - 1-19h |
| Wash cycles | 6 - auto, crystal and china, pots and pans, quick, regular, rinse and hold |
| Wash options | 5 - extra dry, delay start, 1 half load mode, sanitize, scrub |
| Spray arms | 2 |
| Drying system | ActiveDry |
| Heating element | Concealed |
| Filter | Triple stage metal filter |
| Overflow protection device | Yes |

TECHNICAL SPECIFICATIONS

| | |
|-------------------------|--|
| Approvals | ADA Compliant, CEC, NSF, UL |
| Energy star | Yes - tier 1 - 239.0 kwh/yr |
| Sound rating | 51 dB(A) |
| Electrical requirements | 120 V , 60 HZ, 1400 W, 12 A |
| Packaging dimensions | H: 33 11/16" - W: 20 1/16" - D: 26 9/16" |
| Weight | Net: 66.1 lbs - Gross: 70.6 lbs |
| Warranty | 2 years parts & labor |

ACCESSORIES

| | |
|------------|----------------------------------|
| HK18PRODWX | Handle kit - Professional series |
| HK18MASDWX | Handle kit - Master series |



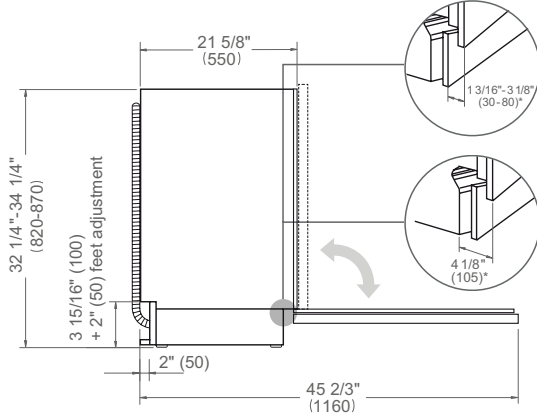
DW18S2IPV

DISHWASHER 18" STANDARD TUB PANEL READY
V TIER

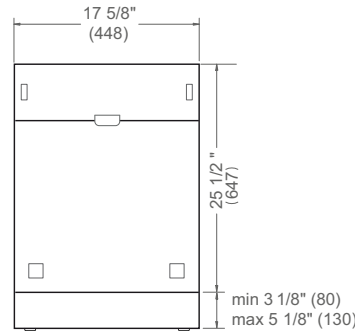


PRODUCT DIMENSIONS

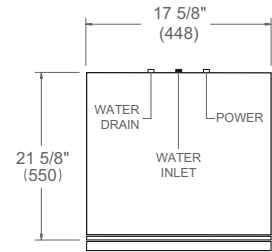
SIDE VIEW



FRONT VIEW



TOP VIEW

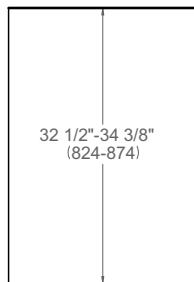


Drain hose and toe kick are provided with the unit

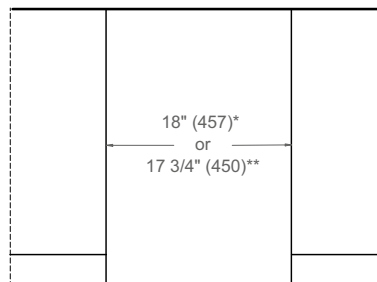
* including a 3/4" (20) thick custom panel

CUTOUT DIMENSIONS

SIDE VIEW

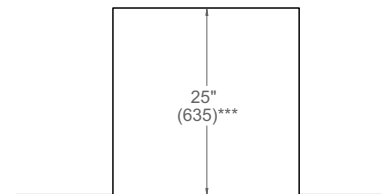


FRONT VIEW



* with vertical side trims installed
** without vertical side trims

TOP VIEW



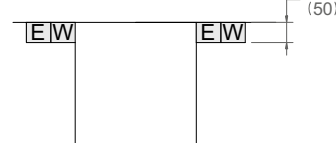
***Cabinet depth shown includes kitchen cabinet front panel. For a flush installation, a minimum inset depth of 22 1/2" (570) is required with a custom door panel thickness of 3/4" (20).

ELECTRICAL & WATER CONNECTION

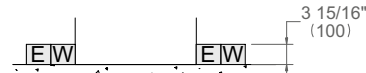
E A properly-grounded, horizontally-mounted electrical receptacle should be installed according to this drawing.

W To connect the water mains to the water inlet valve thread, use a 3/8" water inlet hose and 3/4" metal adapter with a length of 60" (1524) (not supplied).

TOP VIEW



FRONT VIEW



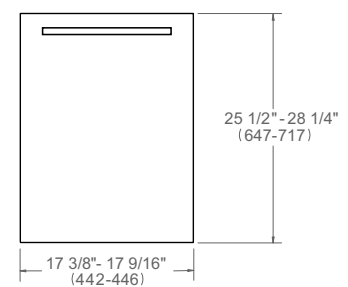
Connections placement must be located on either side of the cutout.

INSTALLATION REQUIREMENTS

Follow local codes & ordinances for drain requirements. Install a waste line with an air gap (not supplied) or, alternatively, at least 30" (762) high drain loop to prevent backflow. Drain hose is 74" (1880) long. Drain hose must be connected at minimum 20" (508) from the floor.

Dimensions in parentheses are millimeters unless otherwise specified.

CUSTOM PANEL



Door tension can be adjusted to accommodate custom panel weights from 7 lb (3 kg) to 13 lb (6 kg). Suggested panel thickness is 3/4" (20).

For complete installation details refer to the installation manual at us.bertazzoni.com or ca.bertazzoni.com

Disclaimer: while every effort has been made to ensure the accuracy of the information contained in this document, Fratelli Bertazzoni reserves the right to change it at any time without notice. For detailed installation instructions, consult the installation manual. Fratelli Bertazzoni, Bertazzoni and the winged wheel brand icon are registered trademarks of Bertazzoni Spa.