

# DW24T3IPT

DISHWASHER 24" TALL TUB PANEL READY  
T TIER



Energy Star rated panel-ready tall tub dishwasher with multi-level interior configuration able to fit up to 16 place settings.

Super-quiet performance as low as 39 dB(A) with optional Stealth mode.

Flexible and foldable third rack with dedicated spray nozzle, ideal for flatware, silverware and smaller items.

Convenient height-adjustable middle rack with basket fully loaded.

Customizable and effective washing and drying with 8 washing cycles, 7 washing options and PowerDry system.

NSF-certified Sanitize option elevates washing temperature to 155°F for perfect and sanitized cleaning, eliminating 99.9% of all common household bacteria.

Dual brushless pump system with electrical diverter, turbidity sensor and triple-stage metal filter ensures maximized cleaning results.

Additional high-pressure water circuit on the upper basket serving dedicated spray nozzles for deep cleaning tall glasses and bottles.

LED interior lighting to facilitate loading and unloading.

Optionally choose Professional, Master or Heritage Series handle kit to match your cooking and refrigeration appliances.

Purchase Collezione Metalli to personalize your Heritage Series handle with Gold (DS2HERTGO), Copper (DS2HERTPC) and Black Nickel (DS2HERTSB) Décor Sets.

## PRODUCT FEATURES

Style	Panel ready for custom cabinet door, tall tub
Interior finish	Stainless steel
User interface	Concealed multi-button control
Display	White LED
Place settings	16
Racks	3: cutlery tray, height adjustable loaded on 3 levels middle rack and folding tines lower rack
Cutlery tray	Multi-functional 3rd rack
Silverware basket	Yes - sliding
Special features	Stemware holder, tray holder, bottle holder
Delayed start	Yes - 1-24h
Wash cycles	8 - auto, crystal and china, normal plus, pots and pans, quick, regular, rinse and hold, soak and wash
Wash options	7 - accel, extra dry, delay start, 3 half load modes, sanitize, scrub, stealth
Spray arms	3 + DirectWash zone
Drying system	PowerDry
Heating element	Concealed
Filter	Triple stage metal filter
Water softener	Yes
Lights	1 LED light for tub illumination + floor projection status light
Overflow protection device	Yes

## TECHNICAL SPECIFICATIONS

Approvals	CEC, NSF, UL
Energy star	Yes - tier 1 - 234.0 kwh/yr
Sound rating	39 dB(A)
Electrical requirements	120 V , 60 HZ, 1400 W, 12 A
Packaging dimensions	H: 35 5/16" - W: 26" - D: 26 1/2"
Weight	Net: 93.9 lbs - Gross: 103.6 lbs
Warranty	2 years parts & labor

## ACCESSORIES

HS24DW	Heavy Duty Springs
HK24PRODWX	Handle kit - Professional series
HK24MASDWX	Handle kit - Master series
HK24HERDWX	Handle kit - Heritage series



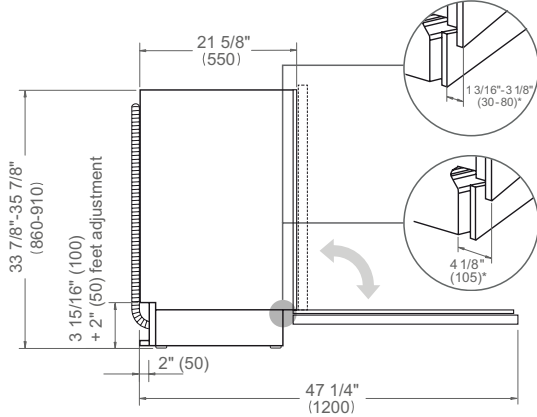
# DW24T3IPT

DISHWASHER 24" TALL TUB PANEL READY  
T TIER

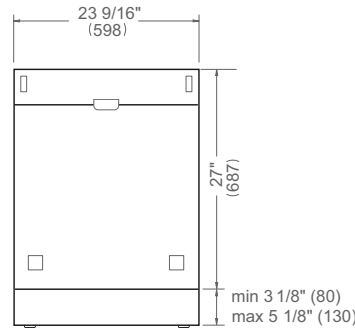


## PRODUCT DIMENSIONS

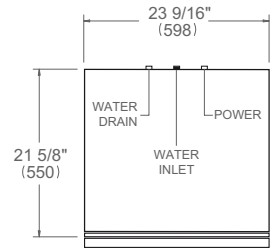
SIDE VIEW



FRONT VIEW



TOP VIEW

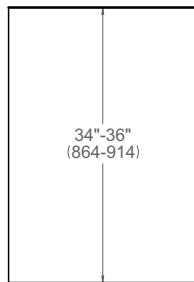


Drain hose and toe kick are provided with the unit

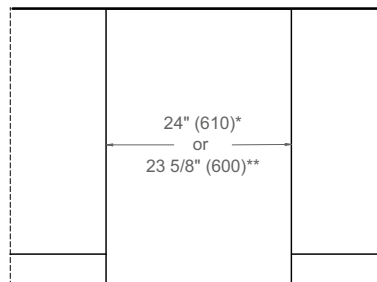
\* including a 3/4" (20) thick custom panel

## CUTOUT DIMENSIONS

SIDE VIEW

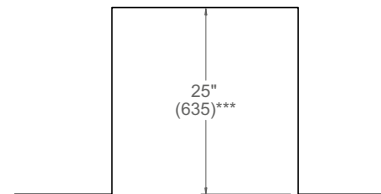


FRONT VIEW



\* with vertical side trims installed  
\*\* without vertical side trims

TOP VIEW

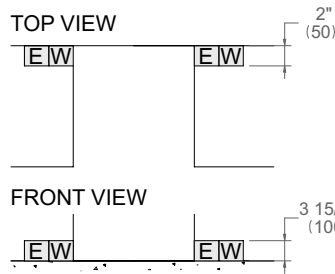


\*\*\* Cabinet depth shown includes kitchen cabinet front panel. For a flush installation, a minimum inset depth of 22 1/2" (570) is required with a custom door panel thickness of 3/4" (20).

## ELECTRICAL & WATER CONNECTION

**E** A properly-grounded, horizontally-mounted electrical receptacle should be installed according to this drawing.

**W** To connect the water mains to the water inlet valve thread, use a 3/8" water inlet hose and 3/4" metal adapter with a length of 60" (1524) (not supplied).



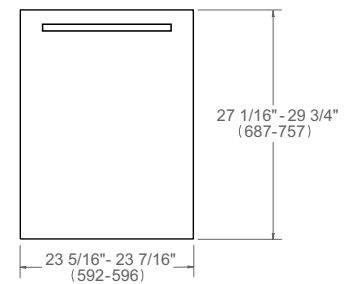
Connections placement must be located on either side of the cutout.

## INSTALLATION REQUIREMENTS

Follow local codes & ordinances for drain requirements. Install a waste line with an air gap (not supplied) or, alternatively, at least 30" (762) high drain loop to prevent backflow. Drain hose is 74" (1880) long. Drain hose must be connected at minimum 20" (508) from the floor.

Dimensions in parentheses are millimeters unless otherwise specified.

## CUSTOM PANEL



Door tension can be adjusted to accommodate custom panel weights from 7 lb (3 kg) to 18 lb (8 kg). For custom panels from 18 lbs (8 kg) to 22 lbs (10 kg), it is necessary to purchase the optional Heavy Duty Springs kit HS24DW. Suggested panel thickness is 3/4" (20).

For complete installation details refer to the installation manual at [us.bertazzoni.com](http://us.bertazzoni.com) or [ca.bertazzoni.com](http://ca.bertazzoni.com)