

Over The Range Microwave Oven

Installation Manual



MWOTR 30100 SS | MWOTR 30100 BL

01M-8851283200-2716-02

beko

Please read this manual first!

Dear Customer,

Thank you for preferring a Beko product. We hope that you get the best results from your product which has been manufactured with high quality and state-of-the-art technology. Therefore, please read this entire user manual and all other accompanying documents carefully before using the product and keep it as a reference for future use. If you handover the product to someone else, give the user manual as well. Follow all warnings and information in the user manual.

Remember that this user manual is also applicable for several other models. Differences between the models are explicitly described in the manual.

Meanings of the symbols

Following symbols are used in the various section of this user manual:



Important information and useful hints about usage.



Warnings for dangerous situations concerning the safety of life and property.



Warning for hot surfaces.

CONTENTS

1 Important instructions	4
1.1 General safety	4
1.1.1 Electrical safety	5
2 Your over the range convection microwave oven	6
2.1 Overview	6
2.2 Technical data	6
3 Mounting space	7
4 External exhaust	8
4.1 Installing hood exhaust.....	8
4.1.1 Outside top exhaust (example only)	8
4.1.2 Outside back exhaust (example only)	9
4.1.3 Exhaust connection	9
4.1.4 Maximum duct length	10
4.1.5 Elbows, transitions, wall and roof caps, etc.,.....	10
4.2 Damage - Shipment / Installation	11
4.3 Parts Included	11
4.3.1 Hardware packet	11
4.3.2 Additional parts	12
4.4 Tools and Materials Needed	13
5 Installation	14
5.1 Placement of the Mounting Plate	14
5.1.1 Removing the microwave oven from the carton/ removing the mounting plate	14
5.1.2 Finding the wall studs	14
5.1.3 Determining wall plate location under your cabinet	14
5.1.4 Aligning the wall plate.....	16
5.2 Installation Types (Choose A, B or C)	17
5.2.1 Outside Top Exhaust (Vertical Duct)	17
5.2.2 Outside Back Exhaust (Horizontal Duct).....	23
5.2.3 Recirculating (non-vented ductless)	28
6 How to use the product	32

1 Important instructions

1.1 General safety



Read and save these instructions

Doing so will:

- make installation easier.
- help you in the future if you have questions.
- help if you have an electrical inspection.

Call your dealer when you have questions or need service. When you call, you will need the microwave model and serial numbers.



WARNING: To reduce the risk of fire, electric shock, or injury to persons, always exercise basic safety precautions, including the following:

Read all instructions before using the appliance.

This product requires a three-prong grounded outlet. The installer must perform a ground continuity check on the power outlet box before beginning the installation to insure that the outlet box is properly grounded.

If not properly grounded, or if the outlet box does not meet electrical requirements noted (under ELECTRICAL REQUIREMENTS), a qualified electrician should be employed to correct any deficiencies.

For personal safety, remove house fuse or open circuit breaker before beginning installation to avoid severe or fatal shock injury.

For personal safety, the mounting surface must be capable of supporting the cabinet load, in addition to the added weight of this 63-85 pound (28.5-38.5 kg) product, plus additional oven loads of up to 50 pounds (22.7 kg) or a total weight of 113-135 pounds (51.3-61.2 kg).

For personal safety, this product cannot be installed in cabinet arrangements such as an island or a peninsula. It must be mounted to BOTH a top cabinet AND a wall.

For easier installation and personal safety, it is recommended that two people install this product.

For personal safety, this appliance must be properly grounded to avoid severe or fatal shock.

1 Important instructions

The power cord of this appliance is equipped with a three-prong (grounding) plug which mates with a standard three-prong (grounding) wall receptacle to minimize the possibility of electric shock hazard from this appliance.

Do not, under any circumstances, cut, deform or remove any of the prongs from the power cord. Do not use with an extension cord.

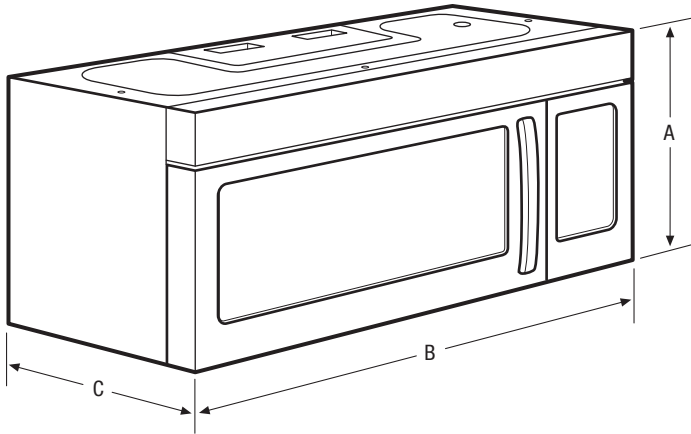
1.1.1 Electrical safety

Product rating is 120 volts AC, 60 Hertz, 15 amps and 1550 watts. This product must be connected to a supply circuit of the proper voltage and frequency.

Wire size must conform to the requirements of the National Electrical Code or the prevailing local code for this kilowatt rating. The power supply cord and plug should be brought to a separate 15- to 20- ampere branch circuit single grounded outlet. The outlet box should be located in the cabinet above the microwave oven. The outlet box and supply circuit should be installed by a qualified electrician and conform to the National Electrical Code or the prevailing local code.

2 Your over the range convection microwave oven

2.1 Overview

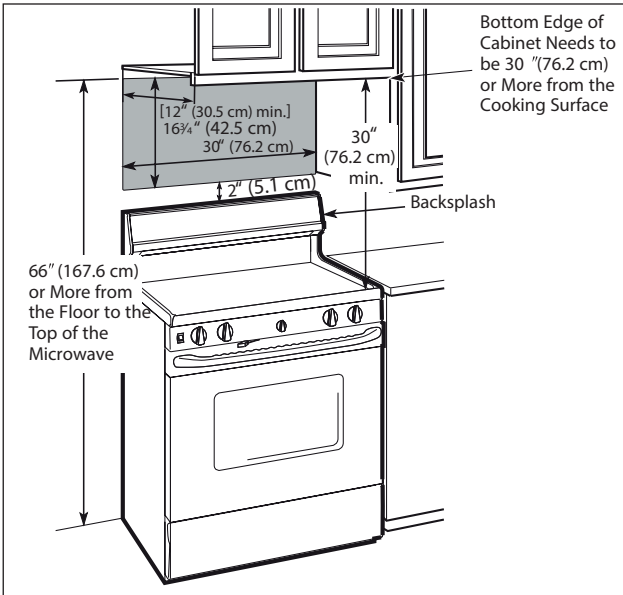


2.2 Technical data

Product Dimensions	
A-Height	16.4" (41.7 cm)
B-Width	29.9" (75.9 cm)
C-Depth	15.0" (38.2 cm)

Cutout Dimensions	
Height (Min.)	16.75" (42.5 cm)
Height (Max.)	17.0" (43.2 cm)
Width (Min.)	30.0" (76.2 cm)
Depth (Min.)	12.0" (30.5 cm)
Depth (Max.)	14.0" (35.7 cm)

3 Mounting space



The space between the cabinets must be 30" (76.2 cm) wide and free of obstructions.



If you are going to vent your microwave oven to the outside, see Hood Exhaust Section for exhaust duct preparation.



When installing the microwave oven beneath smooth, flat cabinets, be careful to follow the instructions on the top cabinet template for power cord clearance.

4 External exhaust

4.1 Installing hood exhaust

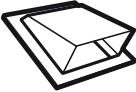




Read these instructions only if you plan to vent your exhaust to the outside. If you plan to recirculate the air back into the room, proceed to title 5

4.1.1 Outside top exhaust (example only)

The following chart describes an example of one possible ductwork installation.



Duct pieces		Equivalent Length	x	Number used	=	Equivalent Length
	Roof Cap	24 Ft. (7.3 m)	x	(1)	=	24 Ft. (7.3 m)
	12 Ft. (3.6 m) Straight Duct (6"/15.2 cm Round)	12 Ft. (3.6 m)	x	(1)	=	12 Ft. (3.6 m)
	Rectangular-to-Round Transition Adaptor*	5 Ft. (1.5 m)	x	(1)	=	5 Ft. (1.5 m)
				Total Length	=	41 Ft. (12.5 m)

Equivalent lengths of duct pieces are based on actual tests and reflect requirements for good venting performance with any vent hood.

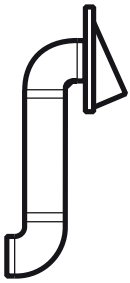


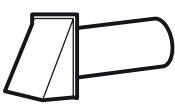


If a rectangular-to-round transition adaptor is used, the bottom corners of the damper will have to be cut to fit, using the tin snips, in order to allow free movement of the damper.

4 External exhaust

4.1.2 Outside back exhaust (example only)

The following chart describes an example of one possible ductwork installation.



Duct pieces		Equivalent Length	x	Number used	=	Equivalent Length
	Wall Cap	40 Ft. (12.2 m)	x	(1)	=	40 Ft. (12.2 m)
	3 Ft. Straight Duct (3 ¹ / ₄ " x 10" / 8.2 x 25.4 cm Rectangular)	3 Ft. (0.9 m)	x	(1)	=	3 Ft. (0.9 m)
	90° Elbow	10 Ft. (3 m)	x	(2)	=	20 Ft. (3 m)
Equivalent lengths of duct pieces are based on actual tests and reflect requirements for good venting performance with any vent hood.				Total Length	=	63 Ft. (19.2 m)



For back exhaust, care should be taken to align exhaust with space between studs, or wall should be prepared at the time it is constructed by leaving enough space between the wall studs to accommodate exhaust.



If you need to install ducts, note that the total duct length of 3¹/₄" x 10" (8.2 x 25.4 cm) rectangular or 6" (15.2 cm) diameter round duct should not exceed 120 equivalent feet (36.5 m).



Outside ventilation requires a HOOD EXHAUST DUCK. Read the following carefully. It is important that venting be installed using the most direct route and with as few elbows as possible. This ensures clear venting of exhaust and helps prevent blockages. Also, make sure dampers swing freely and nothing is blocking the ducts.

4.1.3 Exhaust connection

The exhaust adaptor has been designed to mate with a standard 3¹/₄" x 10" (8.2 x 25.4 cm) rectangular duct. If a round duct is required, a rectangular-to-round transition adaptor must be used. Do not use less than a 6" 6" (15.2 cm) diameter duct.





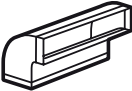
4 External exhaust

4.1.4 Maximum duct length

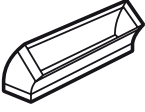


For satisfactory air movement, the total duct length of 3³/₄" x 10" (8.2 x 25.4 cm) rectangular or 6" (15.2 cm) diameter round duct should not exceed 120 equivalent feet (36.5 m).

4.1.5 Elbows, transitions, wall and roof caps, etc.,

Present additional resistance to airflow and are equivalent to a section of straight duct which is longer than their actual physical size. When calculating the total duct length, add the equivalent lengths of all transitions and adaptors plus the length of all straight duct sections. The chart below shows you how to calculate total equivalent ductwork length using the approximate feet of equivalent length of some typical ducts.

Duct pieces		Equivalent Length	x	Number used	=	Equivalent Length
	Rectangular-to-Round Transition Adaptor*	5 Ft. (1.5 m)	x	()	=	Ft. or m
	Wall Cap	40 Ft. (12.2 m)	x	()	=	Ft. or m
	90° Elbow	10 Ft. (3 m)	x	()	=	Ft. or m
	45° Elbow	45° Elbow	x	()	=	Ft. or m
	90° Elbow	25 Ft. (7.6 m)	x	()	=	Ft. or m

4 External exhaust

	45° Elbow	5 Ft. (1.5 m) x ()	=	Ft. or m
	Roof Cap	24 Ft. (7.3 m) x ()	=	Ft. or m
	Straight Duct 6" (15.2 cm) Round or 3 ¹ / ₄ " x 10" (8.2 x 25.4 cm) rectangular	1 Ft. (0.3 m) x ()	=	Ft. or m
Total Ductwork			=	Ft. or m



If a rectangular-to-round transition adaptor is used, the bottom corners of the damper will have to be cut to fit, using the tin snips, in order to allow free movement of the damper.




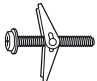


For back exhaust, care should be taken to align exhaust with space between studs, or wall should be prepared at the time it is constructed by leaving enough space between the wall studs to accommodate exhaust.

4.2 Damage - shipment / installation

- If the unit is damaged in shipment, return the unit to the store in which it was bought for repair or replacement.
- If the unit is damaged by the customer, repair or replacement is the responsibility of the customer.
- If the unit is damaged by the installer /if other than the customer), repair or replacement must be made by arrangement between customer and installer.




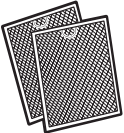
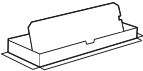


4.3 Parts included

4.3.1 Hardware packet

Part	Quantity
 Wood Screws (1/4" x 2")	2
 Toggle Bolts (and wing nuts) (3/16" x 3")	2
 Self-Aligning Machine Screws (1/4"-28 x 3 1/4")	3
 Nylon Grommet (for metal cabinets)	1
You will find the installation hardware contained in a packet with the unit. Check to make sure you have all these parts.	
NOTE: Some extra parts are included.	

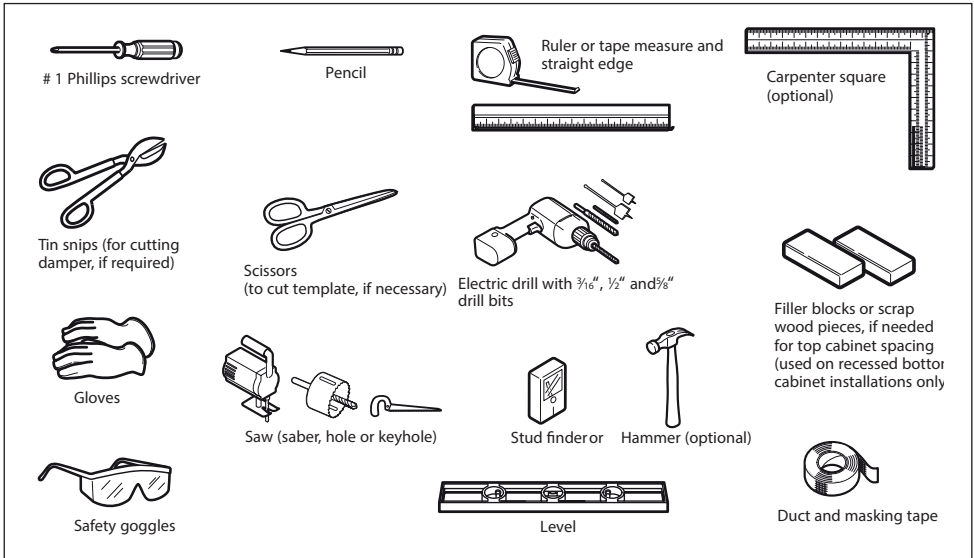
4 External exhaust

4.3.2 Additional parts

Part		Quantity
	Top Cabinet Template and Rear Wall Template	1
	Rear Wall Template	1
	Installation Instructions	1
	Separately Packed Grease Filters	2
	Exhaust adaptor	1
	Glass tray	1
	Turntable ring	1
<p>You will find the installation hardware contained in a packet with the unit. Check to make sure you have all these parts.</p> <p>NOTE: Some extra parts are included.</p>		

4 External exhaust

4.4 Tools and materials needed

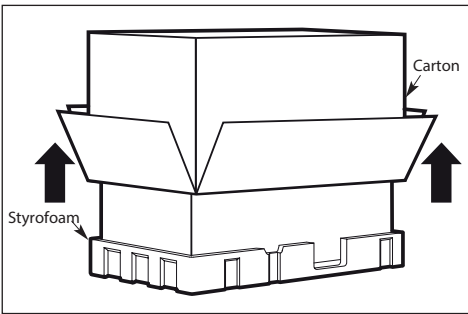


5 Installation

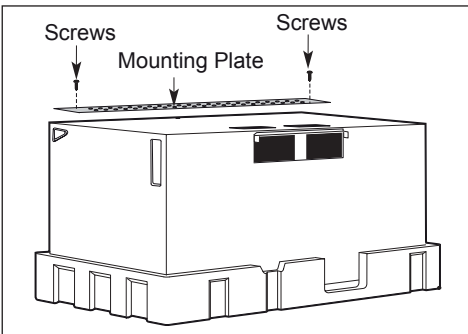
5.1 Placement of the mounting plate

5.1.1 Removing the microwave oven from the carton/ removing the mounting plate

1. Remove the installation instructions, filters, glass tray and the small hardware bag. Do not remove the Styrofoam protecting the front of the oven.
2. Fold back all 4 carton flaps fully against carton sides. Then carefully roll the oven and carton over onto the top side. The oven should be resting in the Styrofoam.



3. Pull the carton up and off the oven.
4. Cut the middle of the outer protective plastic bag to remove the mounting plate



5. Remove the screws from the mounting plate. This plate will be used as the rear wall template and for mounting. Reinstall the screws into the holes where they were removed.

5.1.2 Finding the wall studs

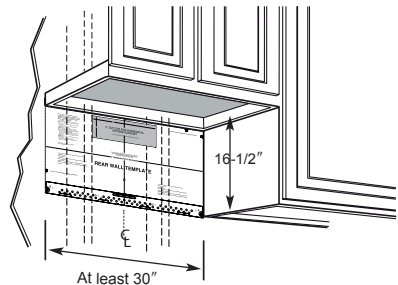
1. Find the studs, using one of the following methods:
 - Stud finder - a magnetic device which locates nails.
 - Use a hammer to tap lightly across the mounting surface to find a solid sound. This will indicate a stud location.
2. After locating the stud(s), find the center by probing the wall with a small nail to find the edges of the stud. Then place a mark halfway between the edges. The center of any adjacent studs should be 16" (40.6 cm) or 24" (61 cm) from this mark.
3. Draw a line down the center of the studs.



WARNING: The microwave must be connected to at least one wall stud.

5.1.3 Determining wall plate location under your cabinet

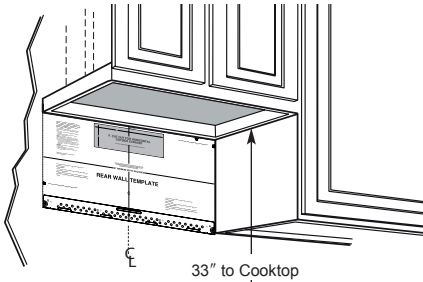
Plate position—beneath flat bottom cabinet



Draw a vertical line on the wall at the center of the 30" wide space. Tape the Rear Wall Template onto the wall matching the centerline and touching the bottom of the cabinet.

5 Installation

Plate position—beneath framed recessed cabinet bottom



Draw a vertical line on the wall at the center of the 30" space.

Tape the Rear Wall Template onto the wall matching the centerline and touching the bottom cabinet frame.

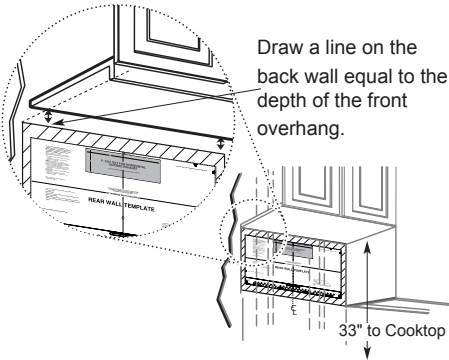
The microwave must be level.

Use a level to make sure the cabinet bottom is level.

If the cabinets have a front overhang only, with no back or side frame, install the mounting plate down the same distance as the front overhang depth. This will keep the microwave level.

1. Measure the inside depth of the front overhang.
2. Draw a horizontal line on the back wall an equal distance below the cabinet bottom as the inside depth of the front overhang.
3. For this type of installation with front overhang only, align the mounting tabs with this horizontal line, not touching the cabinet bottom as described in subtitle 5.1.4.

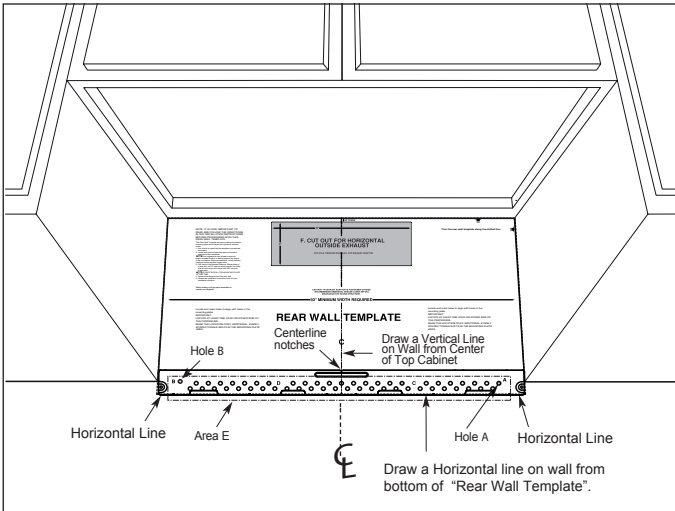
Plate position—beneath recessed bottom cabinet with front overhang



Draw a line on the back wall equal to the depth of the front overhang.

Your cabinets may have decorative trim that interferes with the microwave installation. Remove the decorative trim to install the microwave properly and to make it level

5 Installation



Wear gloves to avoid cutting fingers on sharp edges.

5.1.4 Aligning the wall plate

1. Draw a Vertical line on the wall at the center of the 30" wide space.
2. Draw a Horizontal line on the wall at the bottom of "Rear Wall Template".
3. Drill 5/8" holes for toggle bolts on 2 locations (Hole A, Hole B) but if the location of hole is same as that of stud, drill a 3/16" hole for wood screw. In other words, toggle bolt can not be used to the location of stud.



Holes A and B are inside area E. If both of A and B are not in a stud, find a stud somewhere in area E and draw a forth circle to line up with the stud. It is important to use at least one wood screw mounted firmly in a stud to support the weight of the microwave. Set the mounting plate aside.



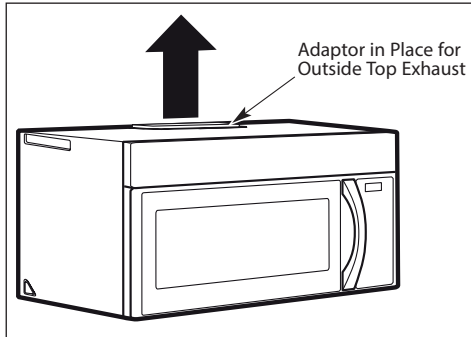
DO NOT MOUNT THE PLATE AT THIS TIME.

5 Installation

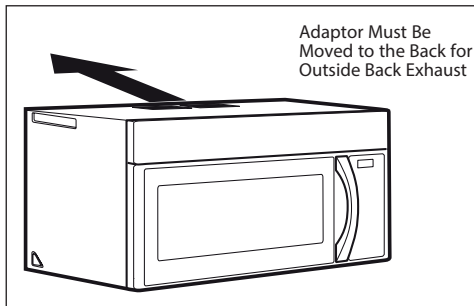
5.2 Installation types (choose A, B or C)

this microwave oven is designed for adaptation to the following three types of ventilation:

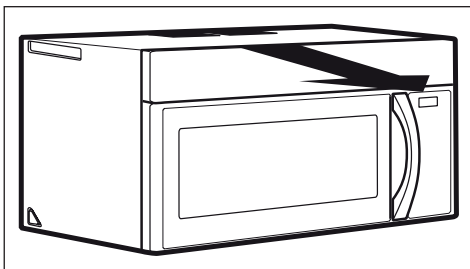
- Outside Top Exhaust (Vertical Duct Type A)



- Outside Back Exhaust (Horizontal Duct Type B)



- Recirculating (Non-Vented Ductless Type C)



This microwave is shipped assembled for Recirculating. Select the type of ventilation required for your installation and proceed to that section.

5.2.1 Outside top exhaust (vertical duct type A)

installation overview

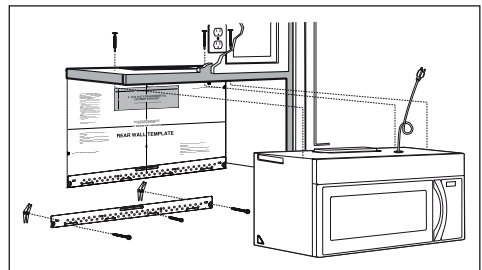
- A1. Attach Mounting Plate to Wall
- A2. Prepare Top Cabinet
- A3. Adapting Microwave Blower for
- A4. Check Damper Operation
- A5. Mount Microwave Oven
- A6. Adjust Exhaust Adaptor
- A7. Connect Ductwork



Make sure the screws for the blower motor and blower plate are securely tightened when they are reinstalled. This will help to prevent excessive vibration.



Make sure the motor wiring has been properly routed and secured, and that the wires are not pinched.

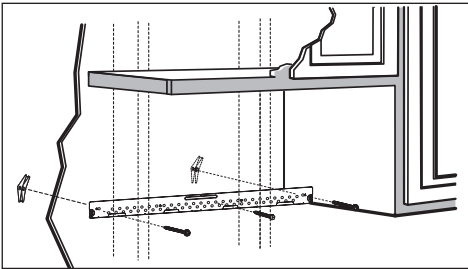


5 Installation

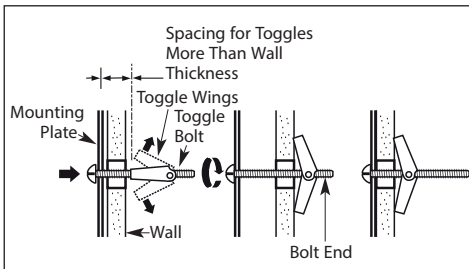
A1. Attach Mounting Plate to Wall

Attach the plate to the wall using toggle bolts. At least one wood screw must be used to attach the plate to a wall stud.

1. Remove the toggle wings from the bolts.
2. Insert the bolts into the mounting plate through the holes designated to go into drywall and reattach the toggle wings to 3/4" (19 mm) onto each bolt.



To use toggle bolts:



3. Place the mounting plate against the wall and insert the toggle wings into the holes in the wall to mount the plate.



Before tightening toggle bolts and wood screw, make sure the tabs on the mounting plate touch the bottom of the cabinet when pushed flush against the wall and that the plate is properly centered under the cabinet.

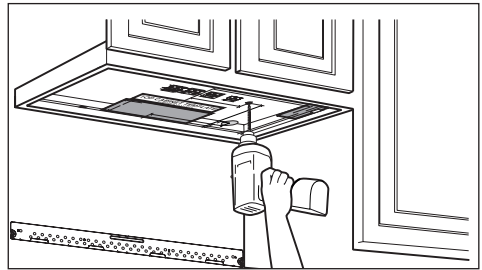


Be careful to avoid pinching fingers between the back of the mounting plate and the wall.

4. Tighten all bolts. Pull the plate away from the wall to help tighten the bolts.

A2. Use top cabinet template For preparation of top Cabinet

You need to drill holes for the top support screws, a hole large enough for the power cord to fit through, and a cutout large enough for the exhaust adaptor.



- Read the instructions on the TOP CABINET TEMPLATE.
- Tape it underneath the top cabinet.
- Drill the holes, following the instructions on the TOP CABINET TEMPLATE.

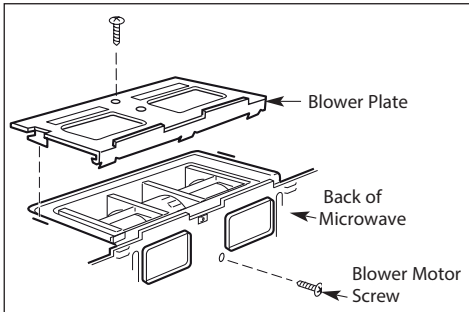


Wear safety goggles when drilling holes in the cabinet bottom.

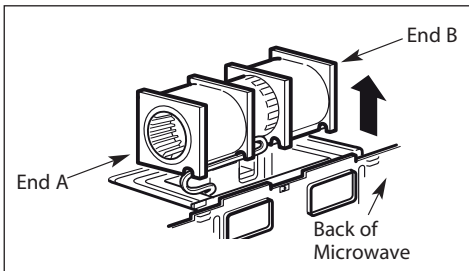
5 Installation

A3. Adapting microwave blower for outside top exhaust

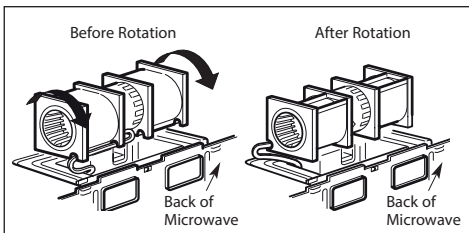
1. Place the microwave in its upright position, with the top of the unit facing up. Remove the screw that holds the blower plate to the microwave. Remove and save the screw holding the blower motor to the microwave.



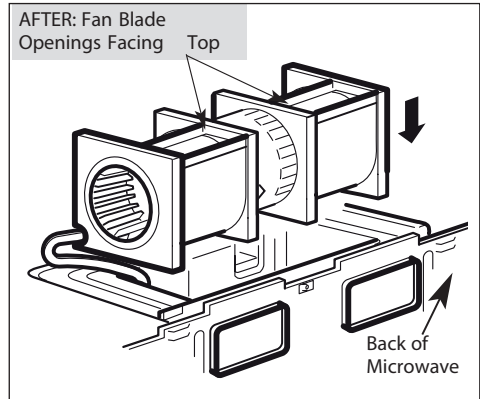
2. Carefully pull out the blower unit. The wires will extend far enough to allow you to adjust the blower unit.



3. Roll the blower unit 90° so that fan blade openings are facing out the top of the microwave.

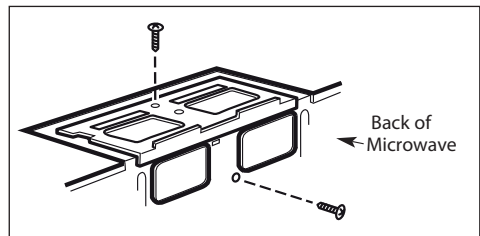


4. Place the blower unit back into the opening.

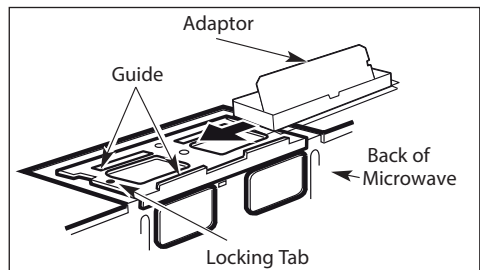


5. Secure blower unit to microwave with the screw removed in Step 1. Make sure the screw is tight.

6. Replace blower plate with the screw removed in Step 1. Make sure the screw is tight.

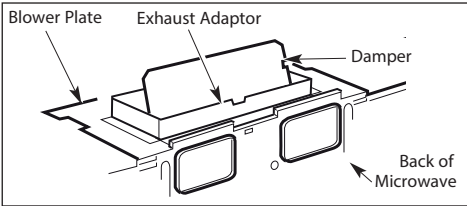


7. Attach the exhaust adaptor to the top of the blower plate by sliding it into the guides of the blower plate. Push in securely until it is in the locking tabs. Take care to assure that the damper hinge is installed so that the damper swings freely.



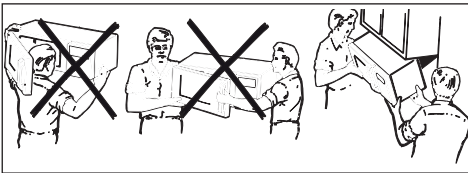
5 Installation

A4. Check for proper damper operation



- Make sure tape securing damper is removed and damper pivots easily before mounting microwave.
- You will need to make adjustments to assure proper alignment with your house exhaust duct after the microwave is installed.

A5. Mount the microwave oven



For easier installation and personal safety, we recommend that two people install this microwave oven.



Do not grip or use handle during installation.



If your cabinet is metal, use the nylon grommet around the power cord hole to prevent cutting of the cord.



We recommend using filler blocks if the cabinet front hangs below the cabinet bottom shelf.

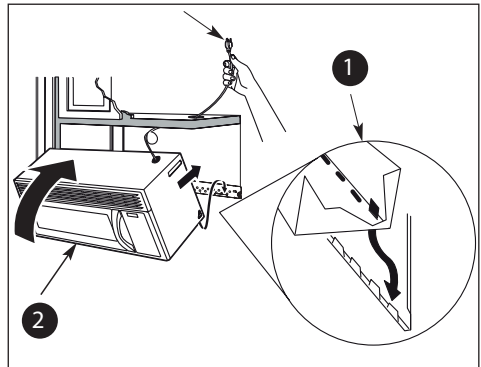


If filler blocks are not used, case damage may occur from overtightening screws.

1. Lift microwave, tilt it forward, and hook slots at back bottom edge onto four lower tabs of mounting plate.
2. Rotate front of oven up against cabinet bottom.



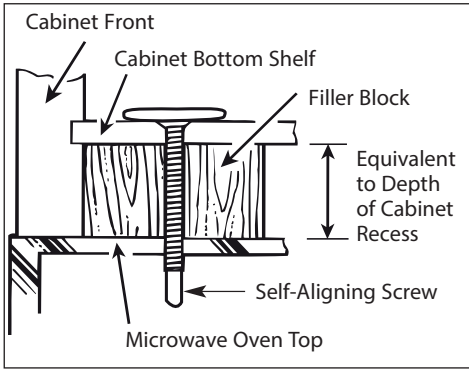
When mounting the microwave oven, thread power cord through hole in bottom of top cabinet. Keep it tight throughout Steps 1-3. Do not pinch cord or lift oven by pulling cord.



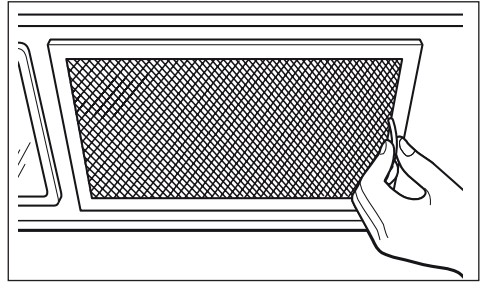
3. Insert a self-aligning screw through top center cabinet hole. Temporarily secure the oven by turning the screw at least two full turns after the threads have engaged. (It will be completely tightened later.) Be sure to keep power cord tight. Be careful not to pinch the cord, especially when mounting flush to bottom of cabinet.

5 Installation

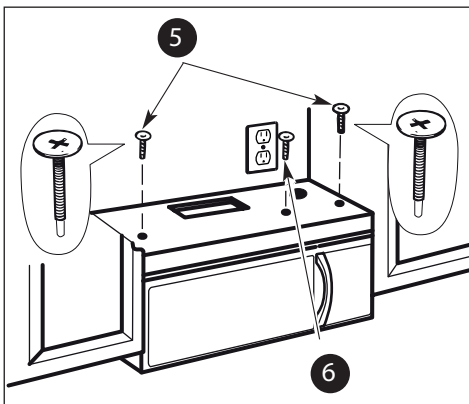
4. Attach the microwave oven to the top cabinet.



7. Tighten the outer two screws to the top of the microwave oven. (While tightening screws, hold the microwave oven in place against the wall and the top cabinet.)



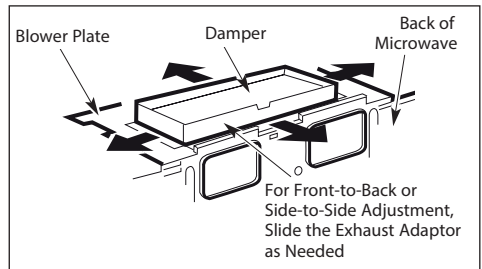
5. Insert 2 self-aligning screws through outer top cabinet holes. Turn two full turns on each screw.



8. Install grease filters. See the Owner's Manual packed with the microwave.

A6. Adjust the exhaust adaptor

Open the top cabinet and adjust the exhaust adaptor to connect to the house duct.

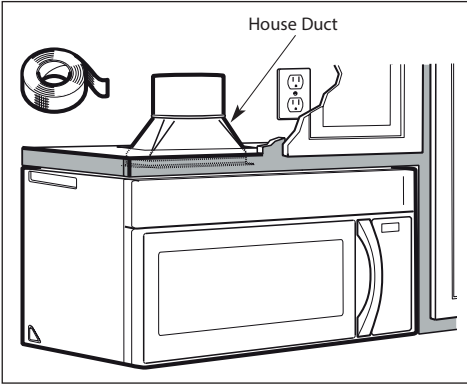


6. Tighten center screw completely.

5 Installation

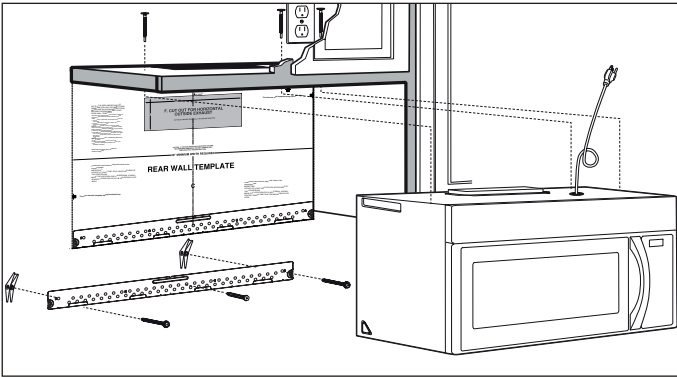
A7. Connecting ductwork

1. Extend the house duct down to connect to the exhaust adaptor.
2. Seal exhaust duct joints using furnace duct tape for high temperature applications.



5 Installation

5.2.2 Outside back exhaust (horizontal duct type B)



Installation overview

- B1. Prepare Rear Wall
- B2. Remove Blower Plate
- B3. Attach Mounting Plate to Wall
- B4. Prepare Top Cabinet
- B5. Adjust Blower
- B6. Mount the Microwave Oven



Make sure the screws for the blower motor and blower plate are securely tightened when they are reinstalled. This will help to prevent excessive vibration.



Make sure the motor wiring has been properly routed and secured, and that the wires are not pinched.

B1. Preparing the rear wall for outside back exhaust

You need to cut an opening in the rear wall for outside exhaust.

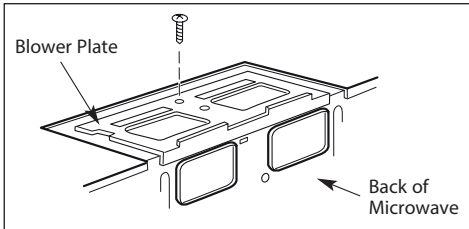


- Read the instructions on the REAR WALL TEMPLATE.
- Tape it to the rear wall, lining up with the holes previously drilled for holes A and B in the wall plate.
- Cut the opening, following the instructions of the REAR WALL TEMPLATE.

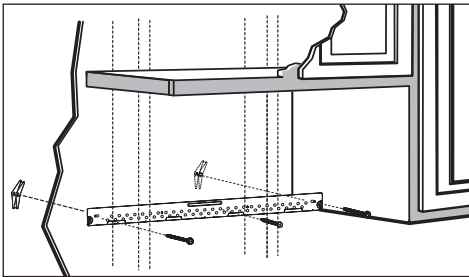
5 Installation

B2. Remove blower plate

Remove and save the screw that holds the blower plate to the microwave. Lift off the blower plate.



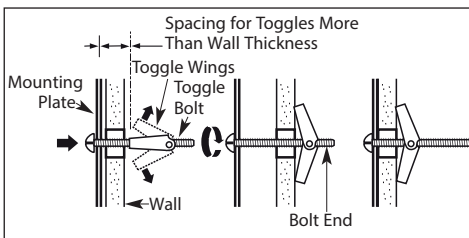
B3. Attach the mounting plate to the wall



Attach the plate to the wall using toggle bolts. At least one wood screw must be used to attach the plate to a wall stud.

1. Remove the toggle wings from the bolts.
2. Insert the bolts into the mounting plate through the holes designated to go into drywall and reattach the toggle wings to 3/4" (19 mm) onto each bolt.

To use toggle bolts



3. Place the mounting plate against the wall and insert the toggle wings into the holes in the wall to mount the plate.



Before tightening toggle bolts and wood screw, make sure the tabs on the mounting plate touch the bottom of the cabinet when pushed flush against the wall and that the plate is properly centered under the cabinet.

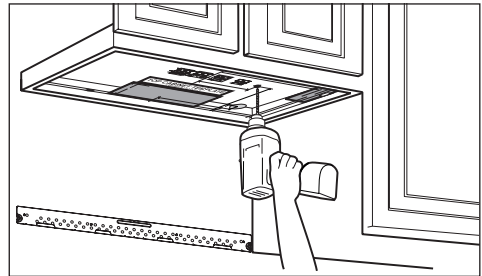


Be careful to avoid pinching fingers between the back of the mounting plate and the wall.

4. Tighten all bolts. Pull the plate away from the wall to help tighten the bolts.

B4. Use top cabinet template for preparation of top cabinet

You need to drill holes for the top support screws and a hole large enough for the power cord to fit through.



- Read the instructions on the TOP CABINET TEMPLATE.
- Tape it underneath the top cabinet.
- Drill the holes, following the instructions on the TOP CABINET TEMPLATE.

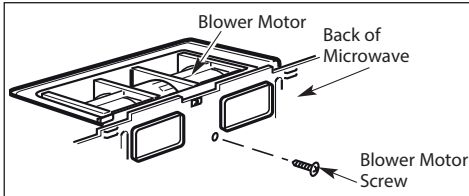


Wear safety goggles when drilling holes in the cabinet bottom.

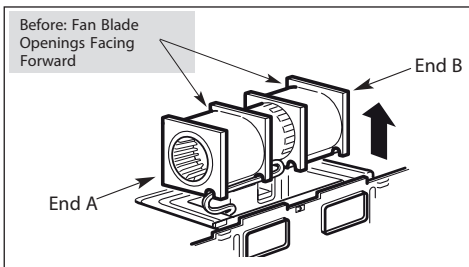
5 Installation

B5. Adapting microwave blower for outside back exhaust

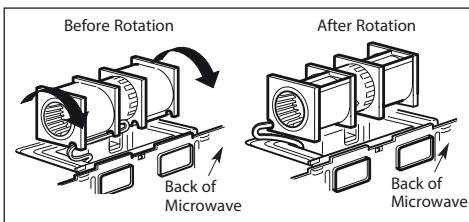
1. Remove and save screw that holds blower motor to microwave.



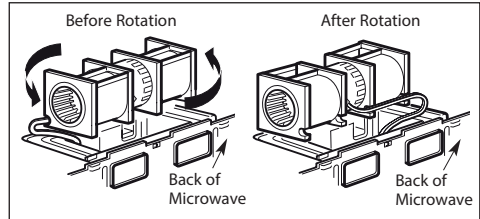
2. Carefully pull out the blower unit. The wires will extend far enough to allow you to adjust the blower unit.



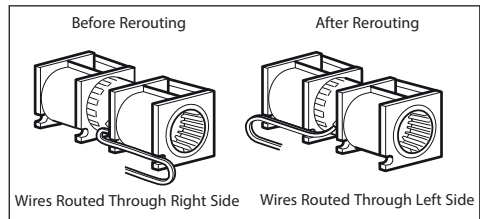
3. Roll the blower unit 90°



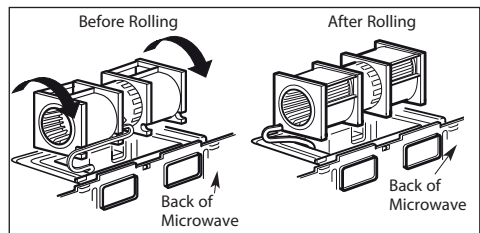
4. Rotate blower unit counterclockwise 180°.



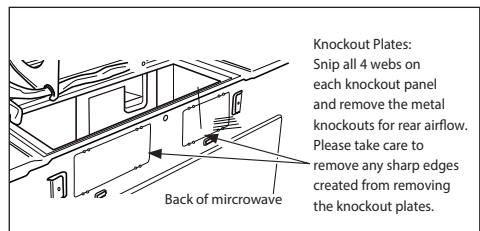
5. Gently remove the wires from the grooves. Reroute the wires through grooves on other side of the blower unit.



6. Roll the blower unit 90° so that fan blade openings are facing out the back of the microwave.

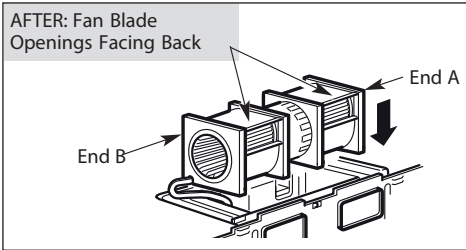


7. Remove the knockout plates in the back of the unit with snips.



5 Installation

8. Place the blower unit back into the opening.

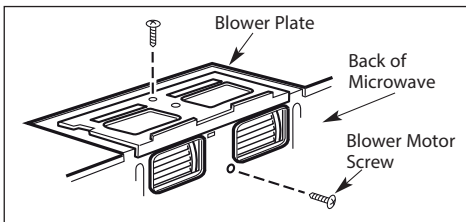


Do not pull or stretch the blower unit wiring. Make sure the wires are not pinched, and that they are properly secured.



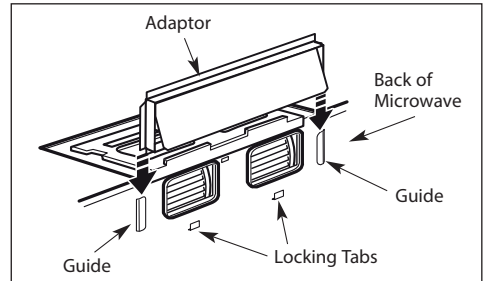
The blower unit exhaust openings should match exhaust openings on rear of microwave oven.

9. Secure the blower unit to the microwave with the original screw.



10. Replace the blower plate in the same position as before with the screw. Make sure the screw is tight

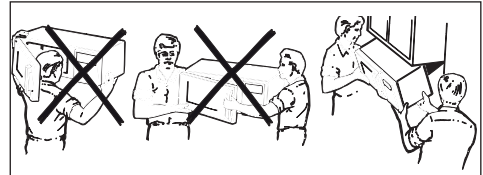
11. Attach the exhaust adaptor to the rear of the oven by sliding it into the guides at the top center of the back of the oven. Push in securely until it is in the lower locking tabs. Take care to assure that the damper hinge is installed so that it is at the top and that the damper swings freely.



B6. Mount the microwave oven



For easier installation and personal safety, we recommend that two people install this microwave oven.



Do not grip or use handle during installation.



If your cabinet is metal, use the nylon grommet around the power cord hole to prevent cutting of the cord.



We recommend using filler blocks if the cabinet front hangs below the cabinet bottom shelf.

5 Installation

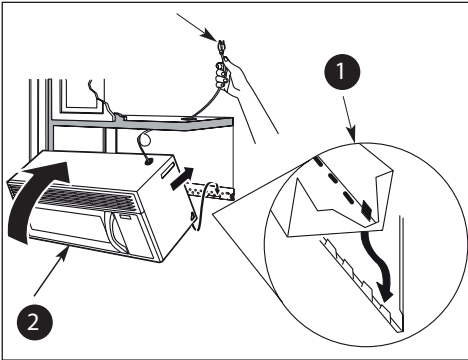


If filler blocks are not used, case damage may occur from overtightening screws.

1. Lift microwave, tilt it forward, and hook slots at back bottom edge onto four lower tabs of mounting plate.

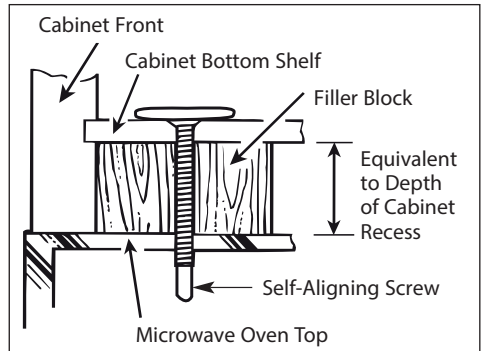


When mounting the microwave oven, thread power cord through hole in bottom of top cabinet. Keep it tight throughout Steps 1-3. Do not pinch cord or lift oven by pulling cord.

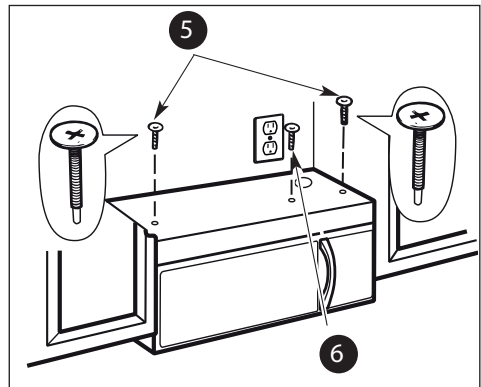


2. Rotate front of oven up against cabinet bottom.
3. Insert a self-aligning screw through top center cabinet hole. Temporarily secure the oven by turning the screw at least two full turns after the threads have engaged. (It will be completely tightened later.) Be sure to keep power cord tight. Be careful not to pinch the cord, especially when mounting flush to bottom of cabinet.

4. Attach the microwave oven to the top cabinet.



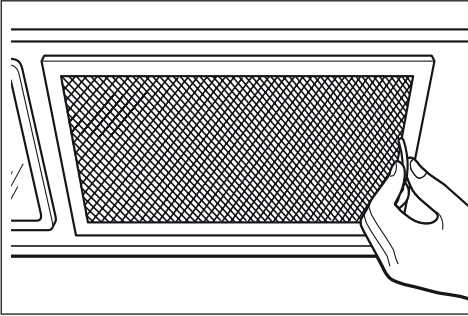
5. Insert 2 self-aligning screws through outer top cabinet holes. Turn two full turns on each screw.



6. Tighten center screw completely.

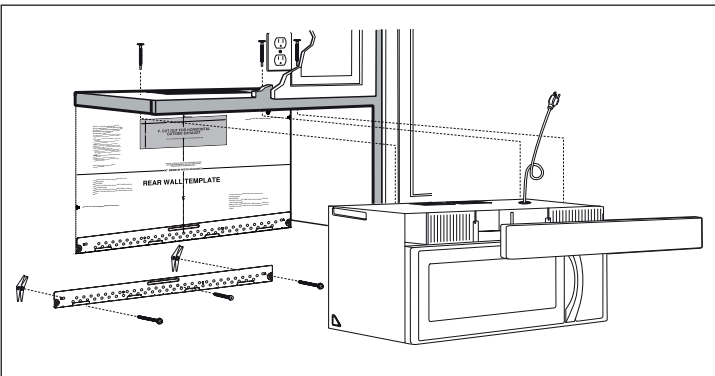
5 Installation

7. Tighten the outer two screws to the top of the microwave oven. (While tightening screws, hold the microwave oven in place against the wall and the top cabinet.)



8. Install grease filters. See the Owner's Manual packed with the microwave.

5.2.3 Recirculating (non-vented ductless type C)



Installation overview

- C1. Attach Mounting Plate to Wall
- C2. Prepare Top Cabinet
- C3. Check Blower Plate
- C4. Mount the Microwave Oven
- C5. Install or change Charcoal Filter



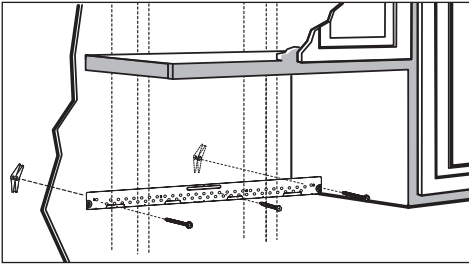
Make sure the screws for the blower motor and blower plate are securely tightened when they are reinstalled. This will help to prevent excessive vibration.

5 Installation



Make sure the motor wiring has been properly routed and secured, and that the wires are not pinched.

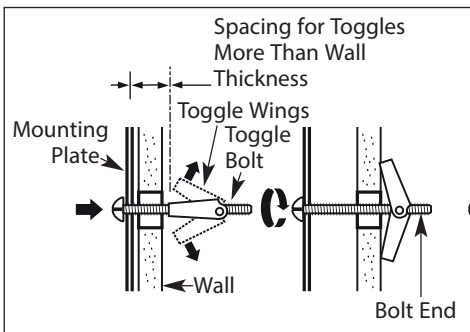
C1. Attach the mounting plate to the wall



Attach the plate to the wall using toggle bolts. At least one wood screw must be used to attach the plate to a wall stud.

1. Remove the toggle wings from the bolts.
2. Insert the bolts into the mounting plate through the holes designated to go into drywall and reattach the toggle wings to 3/4" (19 mm) onto each bolt.

To use toggle bolts



3. Place the mounting plate against the wall and insert the toggle wings into the holes in the wall to mount the plate.



Before tightening toggle bolts and wood screw, make sure the tabs on the mounting plate touch the bottom of the cabinet when pushed flush against the wall and that the plate is properly centered under the cabinet.

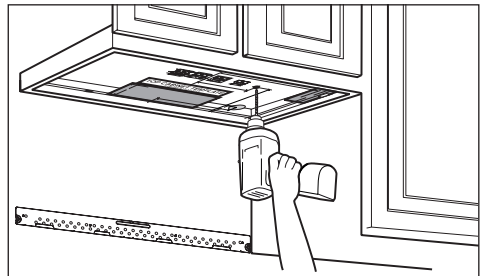


Be careful to avoid pinching fingers between the back of the mounting plate and the wall.

4. Tighten all bolts. Pull the plate away from the wall to help tighten the bolts.

C2. Use top cabinet template for preparation of top cabinet

You need to drill holes for the top support screws and a hole large enough for the power cord to fit through.



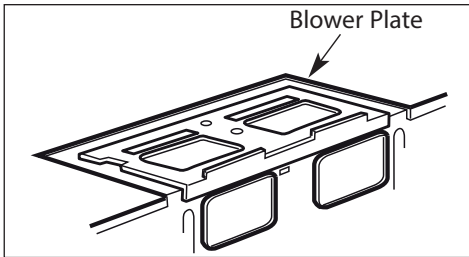
- Read the instructions on the TOP CABINET TEMPLATE.
- Tape it underneath the top cabinet.
- Drill the holes, following the instructions on the TOP CABINET TEMPLATE.



Wear safety goggles when drilling holes in the cabinet bottom.

5 Installation

C3. Check blower plate

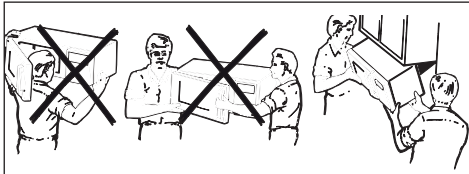


- Place the microwave in its upright position, with the top of the unit facing up.
- Check to see that the blower plate is correctly installed on the unit.

C4. Mount the microwave oven



For easier installation and personal safety, we recommend that two people install this microwave oven.



Do not grip or use handle during installation.



If your cabinet is metal, use the nylon grommet around the power cord hole to prevent cutting of the cord.



We recommend using filler blocks if the cabinet front hangs below the cabinet bottom shelf.

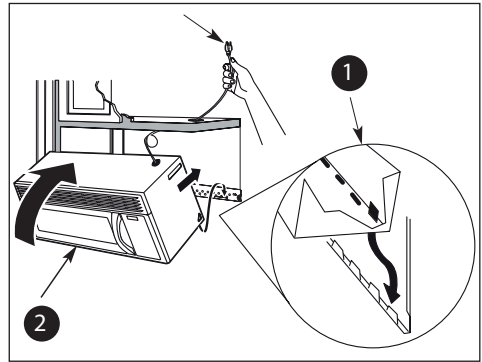


If filler blocks are not used, case damage may occur from overtightening screws.

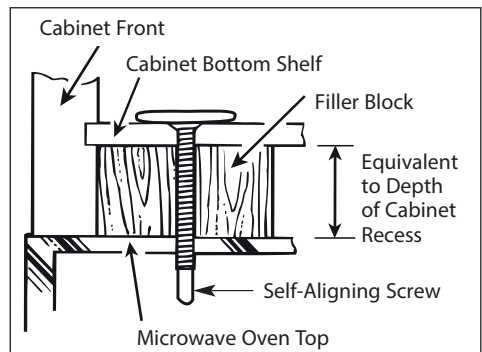
1. Lift microwave, tilt it forward, and hook slots at back bottom edge onto four lower tabs of mounting plate.



When mounting the microwave oven, thread power cord through hole in bottom of top cabinet. Keep it tight throughout Steps 1-3. Do not pinch cord or lift oven by pulling cord.

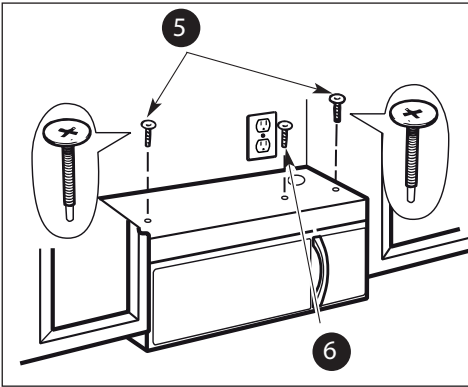


2. Rotate front of oven up against cabinet bottom.
3. Insert a self-aligning screw through top center cabinet hole. Temporarily secure the oven by turning the screw at least two full turns after the threads have engaged. (It will be completely tightened later.) Be sure to keep power cord tight. Be careful not to pinch the cord, especially when mounting flush to bottom of cabinet.
4. Attach the microwave oven to the top cabinet.



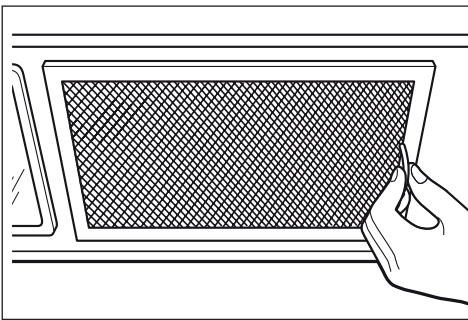
5 Installation

5. Insert 2 self-aligning screws through outer top cabinet holes. Turn two full turns on each screw.



6. Tighten center screw completely.

7. Tighten the outer two screws to the top of the microwave oven. (While tightening screws, hold the microwave oven in place against the wall and the top cabinet.)



8. Install grease filters. See the Owner's Manual packed with the microwave.

C5. Installing or change the charcoal filter

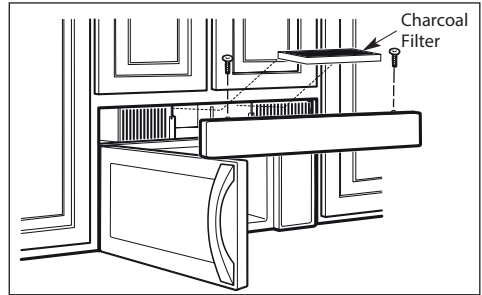


The charcoal filter is factory installed in recirculating models. Follow these steps to replace a filter or to install a filter after converting a vented model to recirculating operation.

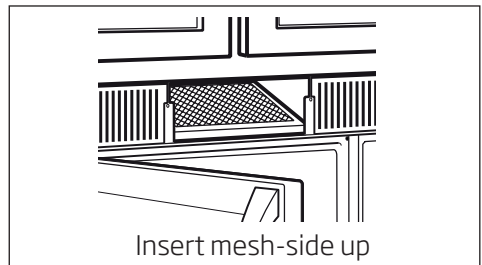
1. Remove screws on top of grille using a #1 Phillips screwdriver.

2. Open the door.

3. Remove the grille. Pull the grille straight off.



4. Install the charcoal filter: Insert filter upper in the unit and then pull down filter. When properly installed, the wire mesh of the filter should be visible from the front.



6 How to use the product



Before you use your over the range product;

1. Make sure the product has been installed according to instructions.
2. Remove all packing material from the product.
3. Install turntable ring and glass tray in cavity
4. Replace house fuse or turn breaker back on.
5. Plug power cord into a dedicated 15 amp to 20 amp electrical outlet.
6. Read the user manual.
7. Keep installation instructions for the local inspectors's use.

