

FRIGIDAIRE

GALLERY



20.0 Cu. Ft. Top Freezer Refrigerator

Top Freezer Refrigerator

Available Products: FGHT2055VD, FGHT2055VF

Available Colors: Black Stainless Steel, Stainless Steel

Version: 10/23

Product Specifications

Refrigerator

Air Filter	Yes
Crisper Color	Clear
Deli Drawer	Yes
Door Bin Color	Clear
Humidity Controls	Automatic
Interior Lighting	LED
Shelf Material	Glass
Number of Adjustable Gallon Door Bins	2
Number of Other Door Bins	1
Total Number of Door Bins	3
Number of Adjustable Shelves	2
Number of Fixed Shelves	1
Number of Crispers	2

Ice Maker

Ice Maker	No
Ice Maker Ready	Yes

Exterior

Door Finish	Smooth
Door Swing	Reversible
Rear Rollers	Yes

Electrical Specifications

Amps @ 120 Volts	2 Amps
Minimum Circuit Required	15 Amps

Certifications and Approvals

ADA Compliant	Yes
---------------	-----

Safety Certifications and Approvals

UL Listed	Yes
-----------	-----

Freezer

Automatic Defrost	Yes
Baskets / Bins Color	Clear
Door Bin Color	Clear
Interior Lighting	LED
Shelf Material	Glass
Number of Fixed Door Bins	2
Number of Adjustable Shelves	1

Controls

Air Filter Indicator	Yes
Control Location	Top Center of Fresh Food
Digital Display	No
Door Ajar Alarm	Yes
Sabbath Mode	Yes

Dimensions and Volume

Height With Hinge	66 3/8"
Height Without Hinge	65 7/8"
Width	30"
Width of Cabinet	30"
Depth of Cabinet	28 1/4"
Depth With Door	32"
Depth With Door 90° Open	58 5/8"
Depth With Door and Handle	32"
Freezer Capacity	5.4 Cu. Ft.
Fresh Food Capacity	14.7 Cu. Ft.
Total Capacity	20 Cu. Ft.

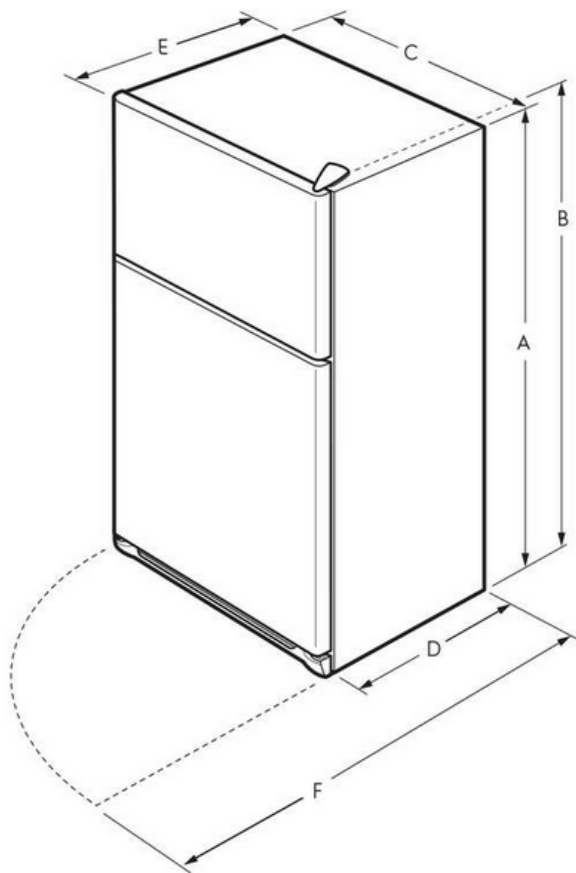
General Specifications

Annual Energy	385 kWh
Leveling Legs	Yes
Prop 65 Label	Yes
Refrigerant Type	R-600A
Warranty - Labor	1 Year
Warranty - Parts	1 Year

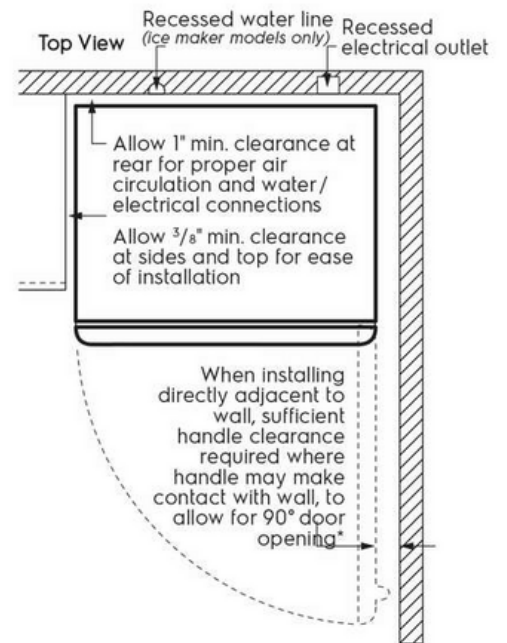
Performance Certifications and Approvals

ENERGY STAR Certified	Yes
-----------------------	-----

Installation Diagram



A	65 ⁷ / ₈ "
B	66 ³ / ₈ "
C	30"
D	28 ¹ / ₄ "
E	32"
F	58 ⁵ / ₈ "



* When installing refrigerator adjacent to wall, cabinet or other appliance that extends beyond front edge of unit, 20" minimum clearance recommended to allow for optimum 140° door swing, providing complete crisper access and removal. (Absolute 3" minimum clearance will ONLY allow for 90° door swing which will provide limited crisper access with restricted removal.)