
BERTAZZONI
INSTALLATION AND USER MANUAL
WALL-MOUNTED CHIMNEY HOOD

EN

BERTAZZONI
INSTRUCTIONS D'INSTALLATION ET D'UTILISATION
HOTTE DE CHEMINÉE MURALE

F

BERTAZZONI
INSTRUCCIONES DE INSTALACIÓN Y USO
CAMPANA DE CHIMENEA DE PARED

E



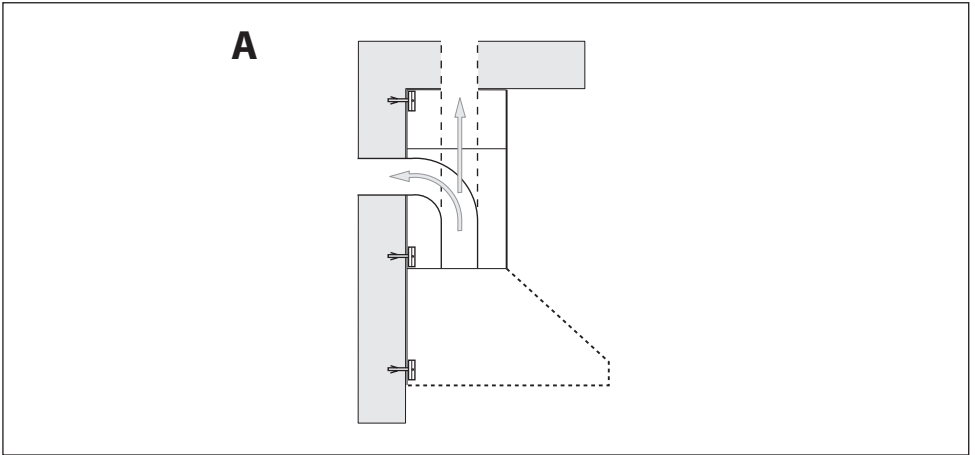


Fig.1

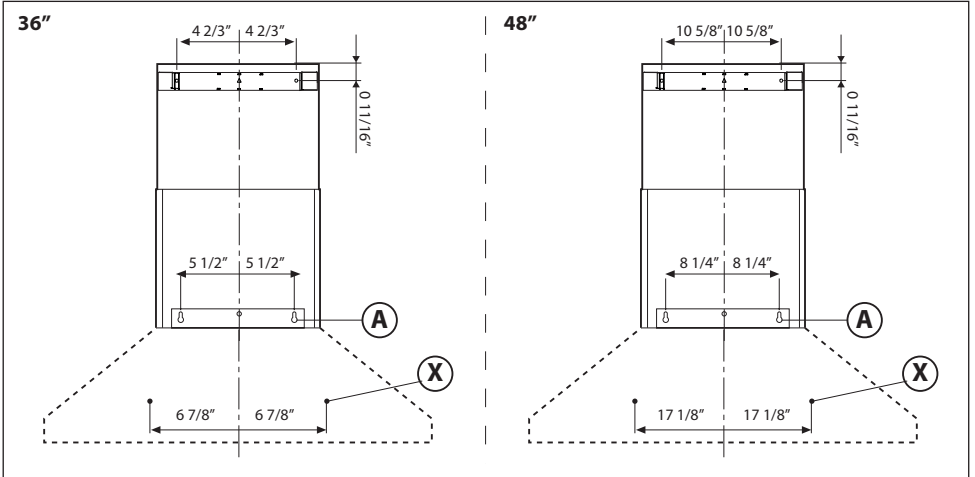


Fig.2

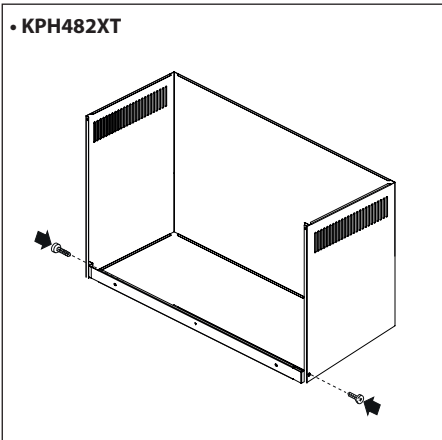


Fig.2A

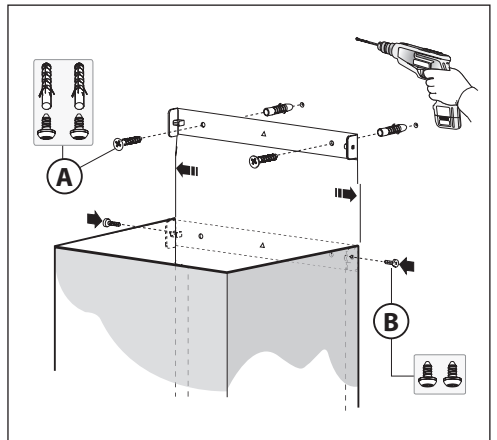
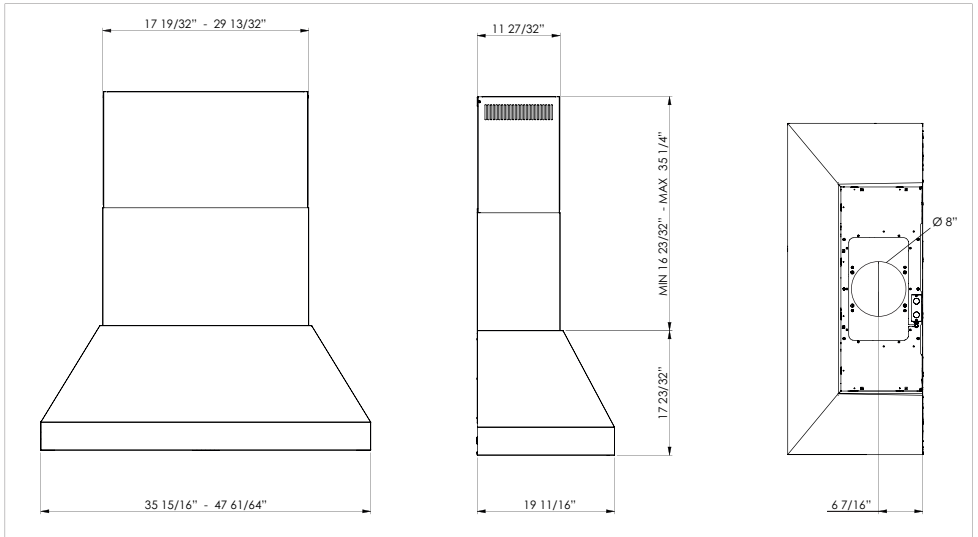
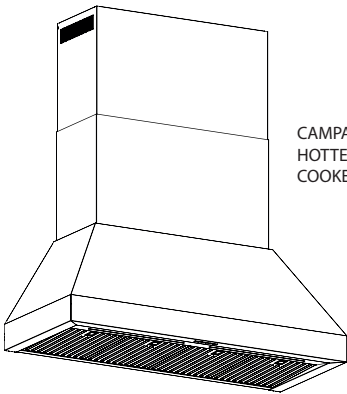


Fig.3



EN EL EMBALAJE /
DANS L'EMBALLAGE / INSIDE PACKAGING



CAMPANA EXTRACTORA
HOTTE DE CUISINE
COOKER HOOD



X8

FALDAS Ø8
TASSELS Ø8
WALL ANCHORS Ø8



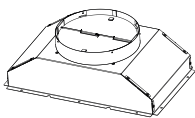
X8

TORNILLO AUT. 5x40 TB
VIS AUT. 5x40 TB
SCREWS AUT. 5x40 TB

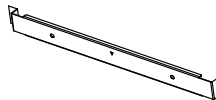


X4

TORNILLO AUT. 3,9x6 T.PLANO
VIS AUT. 3,9x6 T.PLATTE
SCREWS AUT. 3,9x6 T.FLAT



CRUCE
JONCTION
JUNCTION

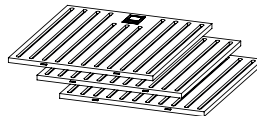


SOPORTE DE LA TUBERÍA
SUPPORT DE TUYAUTERIE
PIPE BRACKET



X10

TORNILLO AUT. 3,5x6 TPRB
VIS AUT. 3,5x6 TPRB
SCREWS AUT. 3,5x6 TPRB



FILTROS DE GRASA
FILTRES À GRAISSE
GREASE FILTERS

(Cantidad según el modelo comprado/
Qté selon le modèle acheté/
Qty according to the mod purchased

Fig.4

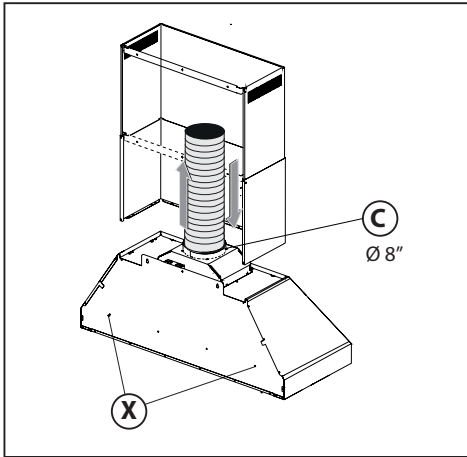


Fig.5

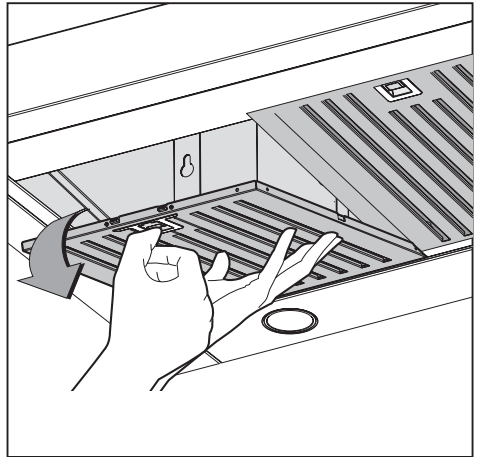


Fig.6

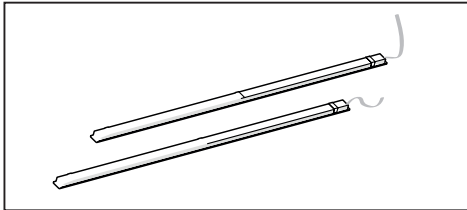


Fig.7

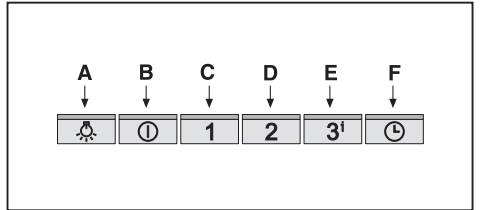


Fig.8

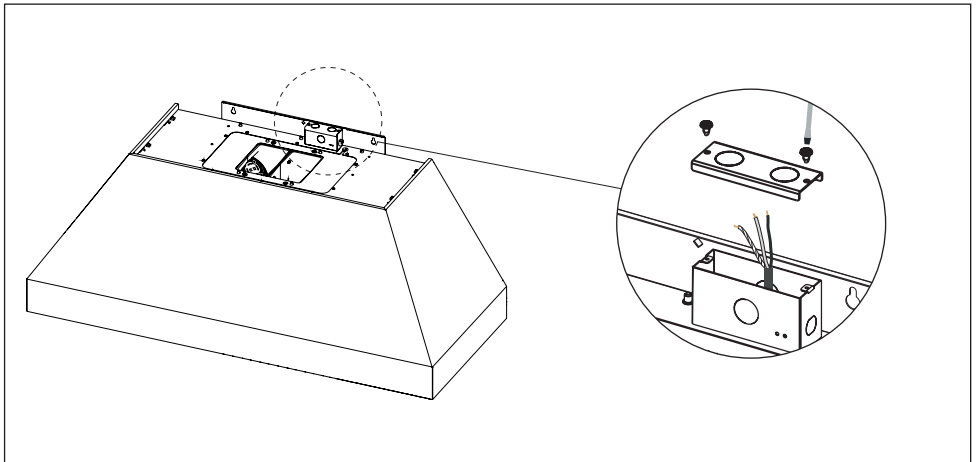


Fig.9



Fig.10

■ IMPORTANT SAFETY INSTRUCTIONS.**■ FOR RESIDENTIAL USE ONLY.****■ READ AND SAVE THESE INSTRUCTIONS.****■ PLEASE READ ENTIRE INSTRUCTIONS BEFORE PROCEEDING.****■ IMPORTANT:** Save these Instructions for the Local Electrical Inspectors use.**■ INSTALLER:** Please leave these Instructions with this unit for the owner.**■ OWNER:** Please retain these instructions for future reference.**■** Take care when using cleaning agents or detergents.**■** Suitable for use in household cooking area.**■ WARNING** - To reduce the risk of fire or electric shock, do not use this fan with any Solid-State Speed Control Device.**■ CAUTION** - To reduce risk of fire and to properly exhaust air, be sure to duct air outside – Do not vent exhaust air into spaces within walls or ceilings or into attics, crawl spaces, or garages.**■ CAUTION** - For general ventilating use only. Do not use to exhaust hazardous or explosive materials and vapors.**■ CAUTION** - To avoid motor bearing damage and noisy and/or unbalanced impellers, keep drywall spray, construction dust, etc. off power unit.**■ CAUTION** - Please read specification label on product for further information and requirements.**■ WARNING** – TO REDUCE THE RISK OF FIRE, ELECTRIC SHOCK, OR INJURY TO PERSONS, OBSERVE THE FOLLOWING:**A.** Use this unit only in the manner intended by the manufacturer. If you have questions, contact the manufacturer.**B.** Before servicing or cleaning unit, switch power off at service panel and lock the service disconnecting means to prevent power from being switched on accidentally. When the service disconnecting means cannot be locked, securely fasten a prominent warning device, such as a tag, to the service panel.**■ WARNING - TO REDUCE THE RISK OF A RANGE TOP GREASE FIRE:****A.** Never leave surface units unattended at high settings. Boilovers cause smoking and greasy spillovers that may ignite. Heat oils slowly on low or medium settings.**B.** Always turn hood ON when cooking at high heat or when flambeing foods (i.e. Crepes

Suzette, Cherries Jubilee, Peppercorn Beef Flambè).

- C. Clean ventilating fans frequently. Grease should not be allowed to accumulate on fan or filter.
- D. Use proper pan size. Always use cookware appropriate for the size of the surface element.
- E. Keep fan, filters and grease laden surface clean.
- F. Use high range setting on range only when necessary. Heat oil slowly on low to medium setting.
- G. Don't leave range unattended when cooking.
- H. Always use cookware and utensils appropriate for the type and amount of food being prepared.

■ **WARNING** – TO REDUCE THE RISK OF INJURY TO PERSONS IN THE EVENT OF A RANGE TOP GREASE FIRE, OBSERVE THE FOLLOWING^a:

- A. SMOTHER FLAMES with a close-fitting lid, cookie sheet, or metal tray, then turn off the burner. BE CAREFUL TO PREVENT BURNS. If the flames do not go out immediately, EVACUATE AND CALL THE FIRE DEPARTMENT.
 - B. NEVER PICK UP A FLAMING PAN – You may be burned.
 - C. DO NOT USE WATER, including wet dishcloths or towels – a violent steam explosion will result.
 - D. Use an extinguisher ONLY if:
 - 1. You know you have a Class ABC extinguisher, and you already know how to operate it.
 - 2. The fire is small and contained in the area where it started.
 - 3. The fire department is being called.
 - 4. You can fight the fire with your back to an exit.
- ^aBased on "kitchen firesafety tips" published by NFPA.

Proper maintenance of the Range Hood will assure proper performance of the unit.

■ **INSTALLATION INSTRUCTIONS**

WARNING – TO REDUCE THE RISK OF FIRE, ELECTRIC SHOCK, OR INJURY TO PERSONS, OBSERVE THE FOLLOWING:

- A. Installation work and electrical wiring must be done by qualified person(s) in accordance with all applicable codes and standards, including fire-rated construction.
- B. Sufficient air is needed for proper combustion and exhausting of gases through the flue (chimney) of fuel burning equipment to prevent back drafting. Follow the heating equipment manufacturer's guideline and safety standards such as those published by the National Fire Protection Association (NFPA), and the American Society for Heating, Refrigeration and Air Conditioning Engineers (ASHRAE), and the local code authorities.
- C. When cutting or drilling into wall or ceiling, do not damage electrical wiring and other hidden utilities.
- D. Ducted fans must always be vented to the outdoors.
- E. This unit must be grounded.

- **WARNING** - TO REDUCE THE RISK OF FIRE, USE ONLY METAL DUCTWORK.
- **WARNING** - UNDER CERTAIN CIRCUMSTANCES DOMESTIC APPLIANCES MAY BE DANGEROUS.
 - A. Do not check filters with hood working.
 - B. Do not touch the lamps after a prolonged use of the appliance.
 - C. No food must be cooked flambè underneath the hood.
 - D. The use of an unprotected flame is dangerous for the filters and could cause fires.
 - E. Watch constantly the fried food in order to avoid the cooking oil flares up.
 - F. Before performing any maintenance operation, disconnect the hood from the electrical service.
- The manufacturers will not to accept any responsibility for eventual damages, because of failure to observe the above instructions.

- **INSTALLATION INSTRUCTIONS.**
- **OPERATING INSTRUCTION.**
- **READ AND SAVE THESE INSTRUCTIONS.**

■ **GENERAL**

Carefully read the following important information regarding installation safety and maintenance. Keep this information booklet accessible for further consultations. The appliance has been designed for use in the ducting version (air exhaust to the outside - Fig.1B).

■ **INSTALLATION INSTRUCTIONS**

• **Electric Connection (Fig.9):**

For connection to the power supply refer to the follows:

BLACK = L line

WHITE = N neutral

GREEN/YELLOW = G ground

A double-pole switch properly rated must be installed to provide the range hood power supply disconnection. The appliance must be installed at a minimum height of 26 inches (66 cm) from an electric cooker stove, or 30 inches (76 cm) from gas or combined cooker stoves. If a connection ductwork composed of two parts is used, the upper part must be placed outside the lower part. Do not connect the range hood exhaust duct air to the same duct air used to exhaust hot air or fumes from other appliances other than electrical. Before proceeding with the assembly operations, remove the anti-grease filter(s) (Fig.6) so that the unit is easier to handle.

• We recommend the use of an air exhaust tube which has the same diameter as the air exhaust outlet hole (\varnothing 8"). If a pipe with a smaller diameter is used, the efficiency of the product may be reduced and its operation may become noisier.

• **Fixing to the wall:**

Drill the holes **A** respecting the distances indicated (Fig.2). Fix the appliance to the wall and align it in horizontal position to the wall units. When the appliance has been adjusted, definitely fix the hood using the screws **X** (Fig.5). For the various installations use screws and screw anchors suited to the type of wall (e.g. reinforced concrete, plasterboard, etc.). If the screws and screw anchors are provided with the product, check that they are suitable for the type of wall on which the hood is to be fixed.

• **Fixing the decorative telescopic flue:**

Arrange the electrical power supply within the dimensions of the decorative flue. If your appliance is to be installed in the ducting version, prepare the air exhaust opening. Install the upper decorative flue's support bracket and fix it on the wall using the screws **A** (Fig.3) so it is in axis with your hood and respecting the distance from the ceiling shown in Fig.2. Connect flange **C** to air extraction hole via an air extraction pipe (Fig.5).

ATTENTION:

only for models KPH482XT before installing the decorative chimneys, mount the bracket

on the upper chimney as shown in figure 2A.

Insert upper decorative flue inside the lower decorative flue and rest them on top of the frame. Extract the upper flue up to the bracket and fix it with the screws **B** (Fig.3).

■ USE AND MAINTENANCE

• We recommend that the cooker hood is switched on before any food is cooked. We also recommend that the appliance is left running for 15 minutes after the food is cooked, in order to thoroughly eliminate all contaminated air. The effective performance of the cooker hood depends on constant maintenance; the anti-grease filter require special attention.

• **The anti-grease Baffle filter:** This is a suction system which offers improved performance with respect to the classic aluminium filters. Its structure means it is able to retain grease particles, thereby reducing noise to a minimum. It should be washed regularly every 15 to 30 days in order to prevent the oil from leaking out; this may be done by hand or using the dishwasher.

- After a few washes, colour alterations may occur. This does not give the right to claim their replacement.

• **Clean the hood frequently, both internally and externally, using a cloth dampened with denatured alcohol or neutral liquid detergents that are non abrasive.**

• The lighting system is designed for use during cooking and not for the prolonged general lighting of the room. The prolonged use of the lighting system significantly decreases the average duration of the bulbs.

• **Attention:** the non compliance with the hood cleaning warnings and with the replacement and cleaning of the filters entails risk of fires. One therefore recommends keeping to the suggested instructions.

• Replacing LED lamps (Fig.7)

The intervention of a specialised technician is necessary to replace them.

• **Commands luminous (Fig.8)** the key symbols are explained below:

A= LIGHT

B= OFF

C= SPEED I

D= SPEED II

E= SPEED III

F= AUTOMATIC STOP TIMER - 15 minutes (*)

Your appliance has the **INTENSIVE** speed function, from speed THREE, press key **E** for 2 seconds and it will be activated for 10 minutes after which it will return to the previously set speed. When the function is active the LED flashes. To interrupt it before the 10 minutes have elapsed, press key **E** again.

• Function Clean air

By pressing key **F** for two seconds (with the hood switched off) the “clean air” function is activated. This function switches the appliance on for ten minutes every hour at the first speed. As soon as this function is activated the motor starts up at the first speed for ten

minutes. During this time key **F** and key **C** must flash at the same time. After ten minutes the motor switches off and the LED of key **F** remains switched on with a fixed light until the motor starts up again at the first speed after fifty minutes and keys **F** and **C** start to flash again for ten minutes and so on. By pressing any key for the exclusion of the hood light the hood will return immediately to its normal functioning (e.g. if key **D** is pressed the “**clean air**” function is deactivated and the motor moves to the 2nd speed straight away. By pressing key **B** the function is deactivated).

- **Function Timer**

(*) The “**AUTOMATIC STOP TIMER**” delays stopping of the hood, which will continue functioning for 15 minutes at the operating speed set at the time this function is activated.

- **Anti-grease:**

-When the **A** key flashes with a **2 second** frequency the anti-grease filters must be washed. Once the clean filter has been put back one must reset the electronic memory by pressing the **A** key for approximately **5 seconds** until it stops flashing.

■ ASSISTANCE

• Two year limited warranty statement.

WHAT THIS LIMITED WARRANTY COVERS

The warranties provided by Bertazzoni SpA herein apply exclusively to Bertazzoni appliances and accessories sold as new products to the original owner by an authorized Bertazzoni distributor, retailer, dealer or service center and installed in the United States or Canada. The warranties provided herein are not transferable and are valid from the date of installation.

The Warranty coverage provided by Bertazzoni SpA ("Bertazzoni") in this statement applies exclusively to the original Bertazzoni appliance ("Product") sold to the consumer ("Purchaser") by an authorized Bertazzoni dealer/distributor/retailer, purchased and installed in the United States, District of Columbia, or Canada which has always remained within the country of original purchase (United States, District of Columbia, or Canada). Warranty coverage is activated on the date of original retail purchase of the Product and has a duration of **two (2) years**.

Warranty coverage is non-transferrable. In the event of parts replacement or entire product replacement, the replacement Product (or parts) shall assume the remaining original Warranty activated with original retail purchase document. This Warranty shall not be extended with respect to such replacement.

Bertazzoni SpA will repair or replace any component/ part which fails or proves defective due to materials and/or workmanship within 2 years from the date of original retail purchase and under conditions of normal residential, non-commercial use.

Repair or replacement will be free of charge, including labor at standard rates and shipping expenses. Purchaser is responsible for making the Product reasonably accessible for service. Repair service must be performed by a Bertazzoni Authorized Service company during normal working hours. Labor performed at overtime or premium rates shall not be covered by Warranty.

• IMPORTANT - Retain proof of original purchase to establish warranty period.

Bertazzoni's liability on any claim of any kind, with respect to the goods and/or services provided, shall in no event exceed the value of the goods or service or part thereof which gives origin to the claim.

30 Day Cosmetic warranty

Inspection of the product must be made by Purchaser at time of delivery.

Bertazzoni warrants that the Product is free from manufacturing defects in materials and workmanship for a period of thirty (30) days from date of original retail purchase of the Product.

This coverage includes:

- > Paint blemishes
- > Chips
- > Macroscopic finish defects

Cosmetic warranty does NOT cover:

- > issues resulting from incorrect transport, handling and/or installation (i.e: dents, broken, bowed or deformed structures or components, shattered glass components)
- > slight color variations in painted/enamelled components
- > differences caused by natural or artificial lighting, location or other analogous factors
- > stains/corrosion/discoloration caused by external substances and/or environmental factors
- > **labor costs, display, floor, B-stock, out- of-box, "as is" appliances and demo units.**

HOW TO OBTAIN SERVICE

To receive warranty service, the Purchaser must contact Bertazzoni Service for problem determination and correct service procedures. Model number, serial number and date of original retail purchase will be requested.

• IMPORTANT - Retain proof of original purchase to establish warranty period.

If located in the USA

866 905 0010

<https://us.bertazzoni.com/more/support>

If located in CANADA

800 561 7265

<https://ca.bertazzoni.com/more/support>

• WARRANTY EXCLUSION - WHAT IS NOT COVERED

- > Use of the Product in any non-residential, commercial application
- > Use of the Product for anything other than its intended scope
- > Repair service provided by other than a Bertazzoni authorized service agency.
- > Damage or repair service to correct service provided by an unauthorized agency or the use of unauthorized parts.
- > Installation not in accordance with local/state/city/ county fire codes, electrical codes, gas codes, plumbing codes, building codes, regulations, or laws.
- > Defects or damage due to improper storage of the Product.
- > Defects or damage or missing parts on products sold out of the original factory packaging or from displays.
- > Service calls or repairs to correct the incorrect installation of the product and/or related accessories.
- > Replacement of parts/service calls to connect, convert or otherwise repair the electrical wiring and/or gas line to properly use the product.
- > Replacement of parts/service calls to provide instructions and education on the use the Product.
- > Replacement of parts/service calls to correct issues due to product usage in manner other than what is normal and customary for residential use.
- > Replacement of parts/service calls due to wear and tear such as gaskets, knobs, pan supports, shelving, cutlery baskets, buttons, touch displays, scratched or broken ceramic

glass tops

> Replacement of parts/service calls for lack of/improper maintenance such as but not limited to: residue build up, stains, scratches, discoloration, corrosion

> Replacement of glass components and light bulbs if claim arises after 30 days from original retail purchase date.

> Defects and damages arising from accidents, alteration, misuse, abuse, improper installation.

> Defects and damages arising from transport, logistics and handling of the Product. Inspection of the product must be made at time of delivery. Any issues from handling, transport and logistics must be notified to selling dealer/delivery company after receipt and inspection.

> Defects and damage arising from external forces beyond the control of Bertazzoni SpA including but not limited to wind, rain, sand, fires, floods, mud slides, freezing temperatures, excessive moisture or extended exposure to humidity, power surges, lightning, structural failures surrounding the appliance and other acts of God.

> Products with altered/damaged/tampered serial number.

In no case shall Bertazzoni be liable or responsible for damage to surrounding property, including furniture, cabinetry, flooring, panels and other structures surrounding the Product.

Bertazzoni is not liable nor responsible for the Product if located in a remote area or an area where certified trained technicians are not reasonably available. Purchaser must bear any transportation and delivery costs of the Product to the nearest authorized Service center or for the additional displacement rates of a certified trained technician.

THERE ARE NO EXPRESS WARRANTIES OTHER THAN THOSE LISTED AND DESCRIBED ABOVE, AND NO WARRANTIES WHETHER EXPRESS OR IMPLIED, INCLUDING, BUT NOT LIMITED TO, ANY IMPLIED WARRANTIES OF MERCHANTABILITY OR FITNESS FOR A PARTICULAR PURPOSE, SHALL APPLY AFTER THE EXPRESS WARRANTY PERIODS STATED ABOVE, AND NO OTHER EXPRESS WARRANTY OR GUARANTEE GIVEN BY ANY PERSON, FIRM OR CORPORATION WITH RESPECT TO THIS PRODUCT SHALL BE BINDING ON BERTAZZONI. BERTAZZONI SHALL NOT BE LIABLE FOR LOSS OF REVENUE OR PROFITS, FAILURE TO REALIZE SAVINGS OR OTHER BENEFITS, TIME AWAY FROM WORK, MEALS, LOSS OF FOOD OR BEVERAGES, TRAVELING OR HOTEL EXPENSES, EXPENSES TO RENT OR PURCHASE APPLIANCES, REMODELLING/ CONSTRUCTION EXPENSES IN EXCESS OF DIRECT DAMAGES WHICH ARE DEFINITELY CAUSED EXCLUSIVELY BY BERTAZZONI, OR ANY OTHER SPECIAL, INCIDENTAL OR CONSEQUENTIAL DAMAGES CAUSED BY THE USE, MISUSE OR INABILITY TO USE THIS PRODUCT, REGARDLESS OF THE LEGAL THEORY ON WHICH THE CLAIM IS BASED, AND EVEN IF BERTAZZONI HAS BEEN ADVISED OF THE POSSIBILITY OF SUCH DAMAGES. NOR SHALL RECOVERY OF ANY KIND AGAINST BERTAZZONI BE GREATER IN AMOUNT THAN THE PURCHASE PRICE OF THE PRODUCT SOLD BY BERTAZZONI AND CAUSING THE ALLEGED DAMAGE. WITHOUT LIMITING THE FOREGOING, PURCHASER ASSUMES ALL RISK AND LIABILITY FOR LOSS, DAMAGE OR INJURY TO PURCHASER AND PURCHASER'S PROPERTY AND TO OTHERS AND THEIR PROPERTY ARISING OUT OF THE USE, MISUSE OR INABILITY TO USE THIS PRODUCT SOLD BY BERTAZZONI NOT CAUSED DIRECTLY BY THE NEGLIGENCE OF BERTAZZONI. THIS LIMITED WARRANTY SHALL NOT EXTEND TO ANYONE OTHER THAN THE ORIGINAL PUR-

CHASER OF THIS PRODUCT, IS NON-TRANSFERABLE AND STATES YOUR EXCLUSIVE REMEDY.

Bertazzoni does not assume any responsibility for incidental or consequential damages. Some states do not allow the exclusion or limitation of incidental or consequential damages, so the above limitation or exclusion may not apply to you. This warranty gives you specific legal rights and you may also have other rights which may vary from state to state or province to province.

Any questions about this Limited Warranty may be directed to Bertazzoni Customer Care

If located in the USA:

866 905 0010

<https://us.bertazzoni.com/more/support>

If located in CANADA:

800 561 7265

<https://ca.bertazzoni.com/more/support>

- **INSTRUCTIONS DE SECURITE IMPORTANTES.**
- **POUR UN USAGE DOMESTIQUE EXCLUSIVEMENT.**
- **LIRE ET CONSERVER LES INSTRUCTIONS.**
- **COMMENCER PAR LIRE ENTIEREMENT LES INSTRUCTIONS.**
- **IMPORTANT:** Conserver les Instructions à usage des Inspecteurs Electriques Locaux.
- **A L'ATTENTION DE L'INSTALLATEUR:** Laisser les Instructions dans l'unité à usage du propriétaire.
- **A L'ATTENTION DU PROPRIETAIRE:** Conserver les Instructions pour des consultations ultérieures.

- N'utiliser des produits de nettoyage ou des détergents qu'avec la plus grande prudence.
- Cet appareil est propre à une utilisation domestique et culinaire.

- **AVERTISSEMENT** – Afin de réduire les risques d'incendie ou d'électrocution, ne pas utiliser le moteur avec un Dispositif de Contrôle de la Vitesse à Semi-conducteurs quel qu'il soit.

- **ATTENTION** – Afin de réduire les risques d'incendie et de permettre une aspiration correcte de l'air, s'assurer que celui-ci est bien transporté à l'extérieur à travers un conduit d'évacuation. – Ne pas évacuer l'air dans des interstices tels qu'entre des cloisons ou des plafonds, dans des greniers, des espaces confinés ou des garages.

- **ATTENTION** – N'utiliser que pour une ventilation générique. Cet appareil n'est pas propre à l'aspiration de matières ou de vapeurs dangereuses ou explosives.

- **ATTENTION** – Afin d'éviter des bruits et des dommages au niveau du moteur, et/ou un déséquilibre au niveau des hélices, veiller à ce que l'unité d'alimentation n'entre pas en contact avec du spray, de la poussière etc.

- **ATTENTION** – Pour obtenir des compléments d'informations, consulter l'étiquette de spécification sur le produit.

- **AVERTISSEMENT** – AFIN DE RÉDUIRE LES RISQUES D'INCENDIE, D'ÉLECTROCUTION OU DE DOMMAGES AUX PERSONNES, RESPECTER LES REGLES SUIVANTES:
 - A. N'utiliser l'unité que pour les opérations prévues par le fabricant. Pour toute question éventuelle, contacter le fabricant.
 - B. Avant d'effectuer des opérations de maintenance ou de nettoyage sur l'unité, débrancher le panneau de service et fermer à clef les commandes de déconnection afin d'éviter toute mise sous tension accidentelle.
Au cas où les commandes de déconnection ne pourraient être fermées à clef, fixer sur

lepanneau de service un message avertissant du danger, par exemple une plaque.

■ **AVERTISSEMENT – AFIN DE RÉDUIRE LES RISQUES D’INCENDIE PAR INFLAMMATION DES GRAISSES PRESENTES SUR LA GAZINIÈRE:**

- A.** Ne jamais laisser de casseroles sur feu vif sans surveillance. D'éventuels débordements dus à une forte ébullition peuvent provoquer de la fumée et des dépôts de graisses susceptibles de prendre feu. Réchauffer l'huile lentement, à petit feu ou moyen.
- B.** ALLUMER systématiquement la hotte pour cuisiner à des températures élevées ou pour flamber des aliments (ex.: Crêpes Suzette, Cherries Jubilee – cerises flambées au brandy et glace -, Boeuf flambé au poivre).
- C.** Nettoyer souvent le moteur. Eviter que les graisses ne s'accumulent sur le moteur ou sur le filtre.
- D.** Utiliser des plats aux dimensions adaptées. Toujours utiliser des ustensiles de cuisine adaptés à la taille de la casserole qui se trouve sur la cuisinière.
- E.** Veiller à ce que le moteur, les filtres et la surface où viennent s'accumuler les graisses restent propres.
- F.** N'utiliser une flamme élevée que lorsque cela est nécessaire. Réchauffer l'huile lentement, à faible ou moyenne température.
- G.** Ne jamais laisser la cuisinière sans surveillance pendant la cuisson.
- H.** Utiliser systématiquement des ustensiles de cuisine adaptés au type et à la quantité d'aliments que l'on prépare.

■ **AVERTISSEMENT – AFIN DE RÉDUIRE LES RISQUES DE DOMMAGES AUX PERSONNES EN CAS D’INCENDIE PAR INFLAMMATION DES GRAISSES PRESENTES SUR LA CUISINIÈRE, RESPECTER LES REGLES SUIVANTESa:**

- A.** ETOUFFER LA FLAMME à l'aide d'un couvercle hermétique, une plaque à four ou un plateau en métal et éteindre le brûleur. PROCEDER AVEC LA PLUS GRANDE PRUDENCE AFIN D'EVITER TOUTE BRULURE. Si les flammes ne s'éteignent pas immédiatement, EVACUER LA PIECE ET APPELER LES POMPIERS.
 - B.** NE JAMAIS TOUCHER UN PLAT EN FEU – on risque de se brûler.
 - C.** NE PAS UTILISER D'EAU, ni de chiffons ou de serviettes humides – cela pourrait provoquer une violente explosion de vapeur.
 - D.** Utiliser un extincteur **UNIQUEMENT** dans les cas suivants:
 - 1.** On dispose d'un extincteur de Classe ABC que l'on sait faire fonctionner.
 - 2.** L'incendie est peu important et il est confiné à la zone où il a éclaté.
 - 3.** On a déjà appelé les pompiers.
 - 4.** On peut affronter les flammes tout en ayant une issue de secours derrière soi.
- aBasé sur les « mesures de sécurité incendie dans la cuisine » publiées par l'organisme NFPA.

Une bonne maintenance de la hotte garantit le parfait fonctionnement de l'unité.

■ **INSTRUCTIONS D'INSTALLATION**

AVERTISSEMENT – AFIN DE RÉDUIRE LES RISQUES D’INCENDIE, D’ÉLECTROCUTION OU DE DOMMAGES AUX PERSONNES, RESPECTER LES REGLES SUIVANTES:

- A.** Les opérations d'installation et de branchement électrique doivent être effectuées par

du personnel qualifié, conformément aux lois et aux normes en vigueur, y compris celles relatives aux appareils à feu.

- B.** Il est nécessaire de disposer d'une quantité d'air suffisante pour une bonne combustion et aspiration des gaz à travers le conduit de fumée de l'installation de combustion du carburant, afin d'éviter un appel d'air de l'arrière. Suivre les indications du fabricant de l'installation de chauffage et les normes de sécurité correspondantes telles que celles émises par l'Association Nationale de Protection contre les Incendies (National Fire Protection Association - NFPA), la Société Américaine des Techniciens de Chauffage, Réfrigération et Climatisation de l'Air (American Society for Heating, Refrigeration and Air Conditioning Engineers - ASHRAE), et par les autorités locales préposées.
- C.** Au cours des opérations de découpage ou de perforation du mur ou du plafond, veiller à ne pas endommager les câbles électriques ou d'autres canalisations cachées.
- D.** L'appareil doit toujours être relié à un trou d'évacuation vers l'extérieur.
- E.** L'unité doit être reliée à la terre.

■ **AVERTISSEMENT** – AFIN DE RÉDUIRE LES RISQUES D'INCENDIE, N'UTILISER QUE DES CONDUITS METALLIQUES.

■ **AVERTISSEMENT** – LES APPAREILS ELECTROMENAGERS PEUVENT PARFOIS S'AVERER DANGEREUX.

- A.** Ne pas contrôler les filtres lorsque la hotte est en état de marche.
 - B.** Ne pas toucher les lampes après une utilisation prolongée de l'appareil.
 - C.** Ne jamais faire flamber d'aliments sous la hotte.
 - D.** L'usage de flammes libres est dangereux pour les filtres et peut générer des incendies.
 - E.** Contrôler constamment les fritures pour éviter que des éclaboussures d'huile ne prennent feu.
 - F.** Avant d'effectuer toute opération de maintenance, débrancher la hotte du réseau d'alimentation électrique.
- Le fabricant ne pourra être retenu responsable d'éventuels dommages causés par le non respect des instructions susmentionnées.

- **INSTRUCTIONS D'INSTALLATION.**
- **INSTRUCTIONS POUR LE FONCTIONNEMENT DE L'APPAREIL.**
- **LIRE ET CONSERVER LES INSTRUCTIONS.**

■ GENERALITES

Lire attentivement les informations suivantes, relatives à la sécurité dans les opérations d'installation et de manutention. Conserver ce fascicule d'informations pour des consultations ultérieures. Cet appareil a été conçu pour être utilisé en version aspirante (évacuation de l'air vers l'extérieur - Fig.1).

■ INSTRUCTIONS D'INSTALLATION

• Connexion électrique (Fig.9):

Pour brancher l'appareil au réseau d'alimentation électrique:

NOIR = L ligne

BLANC = N neutre

VERT/JAUNE = G terre

Un interrupteur bipolaire approprié doit être installé afin de permettre à la hotte de se débrancher du réseau électrique. L'appareil doit être installé à une hauteur minimum de 26 pouces (66 cm) par rapport à une cuisinière électrique, et de 30 pouces (76 cm) s'il s'agit d'une cuisinière à gaz ou combinée. Si l'on utilise un conduit composé de deux éléments, la partie supérieure doit alors être reliée à l'extérieur de la partie inférieure. Ne pas relier le conduit d'aspiration d'air de la hotte à celui utilisé pour aspirer l'air chaud ou les fumées provenant de d'autres appareils électroménagers non électriques. Avant de procéder aux opérations d'assemblage, retirer le(s) filtre(s) anti-graisses (Fig.6). L'unité sera ainsi plus facile à manoeuvrer.

- Nous conseillons d'utiliser un tuyau d'évacuation de l'air de même diamètre que l'orifice de sortie de l'air (Ø 8"). L'utilisation d'une réduction pourrait diminuer les performances du produit et augmenter le niveau sonore.

• Fixation murale:

Exécuter les trous **A** en respectant les cotes indiquées (Fig.2). Fixer l'appareil au mur et l'aligner dans la position horizontale avec les éléments suspendus. Cette opération terminée, fixer la hotte définitivement au moyen des 2 vis **X** (Fig.5). En cas de différents montages utiliser des vis et des goujons à expansion adéquats au type de mur (par exemple béton armé, placoplâtre, etc.). Au cas où les vis et les goujons seraient fournis avec l'appareil, s'assurer qu'ils sont adéquats au type de paroi, où sera fixée la hotte.

•Fixation des raccords télescopiques de décoration:

Installer au préalable l'alimentation électrique dans les limites de l'encombrement de la cheminée décorative. Si votre appareil doit être installé en version aspirante, prévoir l'orifice d'évacuation d'air. Installer l'étrier de support de la cheminée décorative supérieure, le fixer ensuite au mur avec les vis **A** (Fig.3) de manière qu'il soit dans l'axe de votre hotte; ceci en respectant la distance du plafond indiquée sur la Fig.2. Raccorder la bride **C** à l'orifice d'évacuation d'air (Fig.5) au moyen du tuyau d'évacuation d'air.

ATTENTION :

uniquement pour les modèles KPH482XT avant d'installer les cheminées décoratives, montez le support sur la cheminée supérieure comme indiqué sur la figure 2A.

Introduire la cheminée décorative supérieure dans la cheminée décorative inférieure et les poser au-dessus de la coque. Retirer le raccord supérieur jusqu'à la bride et le fixer au moyen des vis **B** (Fig.3).

■ UTILISATION ET ENTRETIEN

- Il est conseillé de mettre en service la hotte quelques minutes avant de commencer à cuisiner. De même il est conseillé de l'arrêter 15 minutes après avoir terminé la cuisson pour éliminer au maximum les odeurs et évacuer l'air vicié. Le bon fonctionnement de la hotte est lié à la fréquence des opérations d'entretien et, plus particulièrement, à l'entretien du filtre anti-graisse et du filtre à charbon actif.

- **Le filtre anti-graisse BAFFLE:** Ce système a des caractéristiques d'aspiration plus performantes par rapport aux filtres aluminium courants. Grâce à sa structure il arrive à emprisonner les particules de graisse et à réduire le niveau de bruit à son minimum. Il faut le laver à intervalles réguliers, tous les 15 ou 30 jours, pour éviter tout suintement de l'huile. Il est lavable au lave-vaisselle ou à la main.

- Après plusieurs lavages, la couleur peut changer. Cela ne donne pas le droit à une requête pour leur remplacement.

- **Nettoyer fréquemment la hotte, soit à l'intérieur que à l'extérieur en utilisant un chiffon humidifié avec de l'alcool dénaturé ou des détergents liquides neutres non abrasifs.**

- L'installation d'illumination est conçue pour l'utilisation pendant la cuisson et non pour l'utilisation prolongée pour illuminer la pièce. L'utilisation prolongée de l'illumination réduit considérablement la durée moyenne de la lampe.

- **Attention:** la non-observation de ces remarques de nettoyage de la hotte et du remplacement et nettoyage des filtres comporte des risques d'incendie. Il est donc recommandé de suivre les instructions suggérées.

• Remplacement des lampes à LED (Fig.7)

Elles doivent être obligatoirement remplacées par un technicien spécialisé.

- **Commandes Lumineux (Fig.8)** le symbole sont le suivant:

A = Touche ECLAIRAGE

B = Touche OFF

C = Touche PREMIERE VITESSE

D = Touche DEUXIEME VITESSE

E = Touche TROISIEME VITESSE

F = Touche MINUTEUR ARRET AUTOMATIQUE 15 minutes (*)

L'appareil est équipé de la fonction vitesse **INTENSIVE**, en partant de la TROISIEME vitesse et en maintenant appuyée la touche **E** pendant environ 2 secondes, cette vitesse sera activée pendant 10 minutes après lesquelles l'appareil se remettra à la vitesse précédemment configurée. Quand la fonction est activée, la LED clignote. Pour interrompre cette vitesse

avant les 10 minutes appuyer sur la touche **E**.

• **Fonction Clean air**

En appuyant sur le bouton **F** pendant 2 secondes (lorsque la hotte est allumée), la fonction «**clean air**» s'active. Cette fonction démarre le moteur pour 10 minutes par heure à la première vitesse. Dès que la fonction est activée, le moteur démarre en 1^{ère} vitesse pour 10 minutes pendant lesquelles les boutons **F** et **C** doivent clignoter en même temps. A la fin de ce temps, le moteur s'arrête et la diode électroluminescente du bouton **F** reste allumée sans clignoter jusqu'à ce que le moteur reparte en 1^{ère} vitesse 50 minutes plus tard. Les diodes électroluminescentes **F** et **C** recommencent à clignoter pendant 10 minutes et ainsi de suite. En appuyant sur n'importe quelle touche à l'exception des touches de lumière, la hotte retourne immédiatement à son fonctionnement normal (ex. en appuyant sur le bouton **D** la fonction «**clean air**» se désactive et le moteur passe directement à la 2^{ème} vitesse ; en appuyant sur le bouton **B** la fonction se désactive).

• **Fonction Timer**

(*) La fonction "**MINUTER ARRÊT AUTOMATIQUE**" retarde l'arrêt de la hotte, qui continuera de fonctionner à la vitesse de service en cours au moment de l'activation de cette fonction, pendant 15 minutes.

• **Saturation filtres Anti-graisse:**

-Lorsque la touche **A** clignote avec une fréquence de **2 secondes**, les filtres anti-graisse doivent être lavés.

Lorsque les filtres nettoyés sont remis en place, réinitialisation la mémoire électronique en appuyant sur la touche **A** pendant environ **5 secondes** jusqu'à ce qu'elle arrête de clignoter.

■ ASSISTANCE

• Déclaration de garantie limitée de deux ans

COUVERTURE DE LA PRÉSENTE GARANTIE LIMITÉE

La garantie fournie par Bertazzoni Spa à travers le présent document s'applique exclusivement aux appareils et accessoires Bertazzoni vendus neufs au propriétaire d'origine par un distributeur, revendeur ou centre d'assistance autorisé par Bertazzoni, installé aux États-Unis ou au Canada. La garantie fournie dans ce document n'est pas cessible et entre en vigueur à la date d'installation.

La garantie fournie par Bertazzoni Spa (« Bertazzoni ») à travers le présent document s'applique exclusivement à l'appareil Bertazzoni d'origine (« Produit ») vendu au client (« Acheteur ») par un distributeur, revendeur ou détaillant autorisé par Bertazzoni, acheté et installé aux États-Unis, dans le District de Columbia, ou au Canada, qui est toujours resté dans le pays d'achat d'origine (États-Unis, District de Columbia, ou Canada).

La couverture de la garantie prend effet à compter de la date d'achat au détail d'origine du Produit et a une durée de **deux (2) ans**.

La couverture de la garantie n'est pas cessible. En cas de remplacement de pièces ou de l'ensemble du produit, le Produit ou les pièces de remplacement sont protégés pendant le reste de la période de garantie d'origine sur présentation du document prouvant l'achat au détail du produit d'origine. La période de garantie n'est pas prolongée en cas de remplacement.

Bertazzoni S.p.A. réparera ou remplacera tout composant en panne ou défectueux du fait des matériaux et/ou de la fabrication pendant 2 ans à compter de la date d'achat au détail d'origine et uniquement dans le cadre d'un usage domestique normal et non commercial. Les réparations ou remplacements ne seront pas facturés et comprennent la main-d'oeuvre au taux standard et les frais de transport. L'acheteur a la responsabilité de rendre le Produit raisonnablement accessible en cas d'assistance. Les réparations doivent être réalisées par un prestataire de services de maintenance autorisé par Bertazzoni, aux heures de travail normales. Les heures de main-d'oeuvre supplémentaires ou majorées ne sont pas couvertes par la Garantie.

• IMPORTANT - Conserver les documents attestant l'achat original afin de déterminer la période de garantie.

La responsabilité de Bertazzoni relative à toute demande ou réclamation, de quelque nature que ce soit, concernant les biens ou services fournis ne pourra en aucun cas dépasser la valeur des biens ou services, ou partie de ceux-ci, à l'origine de la réclamation.

Garantie esthétique de 30 jours

Au moment de la livraison, l'Acheteur doit inspecter le Produit.

Bertazzoni garantit que le Produit est dépourvu de tout défaut de fabrication du fait des matériaux et/ ou de la main-d'oeuvre pendant une période de trente (30) jours à compter de la date d'achat au détail d'origine du Produit.

Cette couverture inclut :

> Imperfections de la peinture.

- > Éclats.
- > Défauts superficiels macroscopiques.

La garantie esthétique NE COUVRE PAS :

- > Les problèmes qui résultent d'un transport, d'une manipulation ou d'une installation incorrect(e) (par exemple les structures ou composants présentant des bosses, cassés, enfoncés ou déformés, ou les parties en verre brisées).
- > Les légères différences de couleurs des éléments peints / émaillés.
- > Les différences liées à l'éclairage naturel ou artificiel, l'emplacement ou d'autres facteurs similaires.
- > Les taches, la corrosion et la décoloration causées par des substances externes ou des facteurs environnementaux.
- > Les frais liés à la main-d'oeuvre, l'écran, le sol, les articles d'occasion, les appareils déballés, les appareils vendus « en l'état » et les articles de démonstration.

COMMENT FAIRE INTERVENIR L'ASSISTANCE

Pour faire appliquer la garantie, l'Acheteur doit contacter l'Assistance Bertazzoni afin d'identifier les problèmes et de connaître les procédures à suivre. Le numéro du modèle, le numéro de série et la date d'achat au détail d'origine lui seront demandés.

• IMPORTANT - Conserver les documents attestant l'achat original afin de déterminer la période de garantie.

En cas d'installation aux États-Unis :

866 905 0010

<https://us.bertazzoni.com/more/support>

En cas d'installation au Canada :

800 561 7265

<https://ca.bertazzoni.com/more/support>

• EXCLUSIONS DE GARANTIE - CE QUE LA GARANTIE NE COUVRE PAS

- > Utilisation du Produit dans le cadre d'un usage non domestique, commercial.
- > Utilisation du Produit différente de l'usage prévu.
- > Réparations effectuées par un opérateur autre qu'un prestataire de services autorisé par Bertazzoni.
- > Dommages ou réparations réalisés afin de corriger une réparation effectuée par une société non autorisée ou par l'utilisation de composants non autorisés.
- > Installation non conforme à la réglementation en vigueur en matière de prévention des incendies, d'électricité, de gaz, de plomberie et de construction.
- > Défauts ou dommages dus à un entreposage inapproprié du Produit.
- > Défauts, dommages ou pièces manquantes concernant des produits vendus sans leur emballage d'origine ou des produits de démonstration.
- > Interventions ou réparations visant à rectifier la mauvaise installation du produit et/ou de ses accessoires.

> Remplacements de composants / interventions visant à raccorder, convertir ou réparer le câblage électrique et/ou la conduite d'alimentation en gaz afin d'utiliser correctement le produit.

> Remplacements de composants / interventions visant à fournir des instructions sur l'utilisation du Produit.

> Remplacements de composants / interventions visant à corriger des problèmes résultant d'une utilisation du produit autre qu'une utilisation normale et habituelle dans le cadre domestique.

> Remplacements de composants / interventions liés à l'usure comme les joints, les molettes, les supports de casserole, les clayettes, les paniers à couverts, les boutons, les touches de l'écran, les surfaces vitrocéramiques rayées ou cassées.

> Remplacements de composants / interventions liés à l'absence d'entretien ou à un entretien inapproprié, par exemple : accumulation de résidus, taches, rayures, décoloration, corrosion.

> Remplacements de composants en verre et d'ampoules plus de 30 jours après la date d'achat au détail d'origine.

> Défauts et dommages résultant d'un accident, d'une modification, d'une mauvaise utilisation, d'un abus, d'une installation inappropriée.

> Défauts et dommages résultant du transport, de la logistique et de la manipulation du Produit. Le Produit doit être contrôlé au moment de la livraison. Tout problème lié à la manipulation, au transport ou à la logistique doit être signalé au vendeur / à la société de livraison après réception et inspection.

> Défauts et dommages résultant de facteurs externes échappant au contrôle de Bertazzoni SpA, incluant, sans s'y limiter, le vent, la pluie, le sable, les incendies, les inondations, les coulées de boue, le gel, une humidité excessive ou une exposition prolongée à l'humidité, les surtensions, la foudre, les défaillances structurales à proximité de l'appareil et toute autre catastrophe naturelle.

> Produits dont le numéro de série a été modifié, endommagé, altéré.

Bertazzoni ne pourra en aucun cas être tenue responsable de dommages aux biens environnants comme le mobilier, les meubles, le sol, les panneaux et autres structures à proximité du Produit.

Bertazzoni décline toute responsabilité relative au Produit si celui-ci est situé dans une région isolée ou dans une zone où des techniciens formés ne pourraient raisonnablement se rendre. L'Acheteur prendra à sa charge les frais d'expédition et de transport du Produit jusqu'au centre de maintenance autorisé le plus proche ou les frais de déplacement additionnels d'un technicien formé et certifié.

IL N'EXISTE AUCUNE AUTRE GARANTIE EXPLICITE QUE CELLES PRÉCITÉES, NI AUCUNE AUTRE GARANTIE EXPLICITE OU IMPLICITE, INCLUANT, MAIS SANS S'Y LIMITER, TOUTE GARANTIE IMPLICITE DE QUALITÉ MARCHANDE OU DE CONVENANCE À UNE FIN PARTICULIÈRE, APPLICABLE APRÈS LA PÉRIODE DE GARANTIE EXPLICITE SUSMENTIONNÉE, ET AUCUNE AUTRE GARANTIE EXPLICITE DONNÉE PAR UNE PERSONNE, UNE ENTREPRISE OU UNE SOCIÉTÉ CONCERNANT CE PRODUIT N'ENGAGE LA RESPONSABILITÉ DE BERTAZZONI.

BERTAZZONI DÉCLINE TOUTE RESPONSABILITÉ EN CAS DE PERTE DE CHIFFRE D'AFFAIRES OU DE PROFITS, D'IMPOSSIBILITÉ DE RÉALISER DES ÉCONOMIES OU D'AUTRES BÉNÉFICES, ABSENCE DU TRAVAIL, REPAS, PERTE D'ALIMENTS OU DE BOISSONS, FRAIS DE DÉPLACEMENT OU D'HÉBERGEMENT, FRAIS DE LOCATION OU D'ACHAT D'ÉQUIPEMENTS, FRAIS DE RÉNOVATION / CONSTRUCTION DÉPASSANT LES DOMMAGES DIRECTS RÉSULTANT DE FAUTES EXCLUSIVEMENT IMPUTABLES À BERTAZZONI, OU TOUT AUTRE DOMMAGE SPÉCIAL, ACCIDENTEL OU INDIRECT CAUSÉ PAR L'UTILISATION, LA MAUVAISE UTILISATION OU L'INCAPACITÉ À UTILISER LE PRODUIT, SANS ÉGARD POUR LA NATURE JURIDIQUE DU DROIT REVENDIQUÉ, ET CELA MÊME SI BERTAZZONI A ÉTÉ INFORMÉE DE LA POSSIBILITÉ DE TELS DOMMAGES. AUCUN REMBOURSEMENT DEMANDÉ À BERTAZZONI NE POURRA ÊTRE SUPÉRIEUR AU PRIX D'ACHAT DU PRODUIT VENDU PAR BERTAZZONI AYANT CAUSÉ LES DOMMAGES EN QUESTION. SANS LIMITER LA PORTÉE DE CE QUI PRÉCÈDE, L'ACHETEUR ASSUME TOUS LES RISQUES ET LA RESPONSABILITÉ EN CAS DE PERTES, DE DOMMAGES OU DE BLESSURES À L'ACHETEUR OU À SES BIENS, AINSI QU'AUX TIERCES PERSONNES OU À LEURS BIENS, CAUSÉS PAR L'UTILISATION, LA MAUVAISE UTILISATION OU L'INCAPACITÉ À UTILISER LE PRODUIT VENDU PAR BERTAZZONI, NON DIRECTEMENT CAUSÉS PAR LA NÉGLIGENCE DE BERTAZZONI. LA PRÉSENTE GARANTIE LIMITÉE NE S'ÉTEND À PERSONNE D'AUTRE QUE L'ACHETEUR ORIGINAL DE CE PRODUIT, ELLE N'EST PAS CESSIBLE ET REPRÉSENTE VOTRE UNIQUE RECOURS.

Bertazzoni décline toute responsabilité en cas de dommages indirects ou consécutifs à l'utilisation du produit. Certains états n'autorisent pas l'exclusion ou la limitation de responsabilité en cas de dommages indirects ou consécutifs ; par conséquent, la limitation ou l'exclusion susmentionnée pourrait ne pas s'appliquer à votre cas. La présente garantie vous confère des droits juridiques spécifiques. Vous pourriez également bénéficier d'autres droits, susceptibles de varier d'un état ou d'une province à l'autre.

Pour toute question concernant la présente Garantie limitée, veuillez contacter le Service clients Bertazzoni :

En cas d'installation aux États-Unis:

866 905 0010

<https://us.bertazzoni.com/more/support>

En cas d'installation au Canada:

800 561 7265

<https://ca.bertazzoni.com/more/support>

- **INSTRUCCIONES IMPORTANTES DE SEGURIDAD.**
- **RELATIVAS SOLO AL USO DOMESTICO.**
- **LEA LAS INSTRUCCIONES COMPLETAMENTE ANTES DE PROCEDER.**
- **IMPORTANTE:** Guarde las Instrucciones de uso de los Inspectores Eléctricos Locales.
- **PARA EL INSTALADOR:** Deje las Instrucciones en la unidad de uso del propietario.
- **PARA EL PROPIETARIO:** Guarde las instrucciones para consultas futuras. Preste máxima atención durante el uso de productos de limpieza o detergentes. Aparato adaptado para uso doméstico y culinario.
- **ADVERTENCIA** – Para reducir el riesgo de incendio o de sacudida eléctrica, no use el motor junto con ningún Dispositivo de Control de Velocidad con Semiconductores.
- **ATENCION** – Para reducir el riesgo de incendio y aspirar correctamente el aire, asegúrese que esta última sea transportada al externo a través de un conducto de evacuación. – No descargue el aire en paredes dobles entre paredes o techos o en desvanes, espacios angostos o garajes.
- **ATENCION** – Usar sólo para una ventilación general. No es adaptado para aspirar materiales o vapores peligrosos o explosivos.
- **ATENCION** – Para evitar daños al motor y ruidos, y/o hélices desbalanceadas, evite que la unidad de alimentación llegue a contacto con esprays, polvo, etc.
- **ATENCION** – Para ulterior información y pedidos, lea la etiqueta de especificación del producto.
- **ADVERTENCIA** – PARA REDUCIR EL RIESGO DE INCENDIO, SACUDIDA ELECTRICA O SDAÑOS A PERSONAS, SIGA LAS SIGUIENTES PAUTAS:
 - A. Use la unidad sólo para finalidades previstas por el fabricante. Para eventuales preguntas, contacte el fabricante.
 - B. Antes de efectuar operaciones de mantención o limpieza a la unidad, desconecte la corriente del panel de servicio y cierre con llave los comandos de desconexión para evitar que se encienda accidentalmente la corriente de alimentación.
Si los comandos de desconexión no pueden ser cerrados con llave, fije firmemente un aviso de peligro que sea evidente al panel de servicio, como una placa por ejemplo.
- **ADVERTENCIA** – **PARA REDUCIR EL RIESGO QUE LA GRASA DE LA SUPERFICIE DEL HORNO SE INCENDIE:**
 - A. Nunca deje ollas en la superficie del horno en posición alta sin supervisión. Eventuales desbordamientos por el hervor pueden causar humo y rebalses de grasa que pueden

- encenderse. Caliente el aceite lentamente en posición baja o media.
- B.** ENCENDER siempre la campana cuando cocine a temperaturas elevadas o cuando flamee los alimentos (ej. Crêpes Suzette, Cherries Jubilee, cerezas flameadas con brandy y helado -, Carne de buey flameada a la pimienta).
 - C.** Limpiar frecuentemente el motor. Evite que la grasa se acumule en el motor o en el filtro.
 - D.** Use cazuelas de dimensiones adaptas. Siempre utilice utensilios de cocina idóneos a la dimensión de la olla que se encuentra sobre la superficie del horno.
 - E.** Mantenga limpio el motor, los filtros y la superficie donde se acumula la grasa.
 - F.** Use el horno en posición alta sólo cuando sea necesario. Caliente el aceite lentamente en posición baja o media.
 - G.** No deje nunca el horno sin supervisión durante la cocción.
 - H.** Use siempre utensilios y herramientas de cocina adaptos al tipo y a la cantidad de comida que esté preparando.

■ **ADVERTENCIA** – PARA REDUCIR EL RIESGO DE DAÑOS A PERSONAS EN CASO QUE SE ENCIENDA LA GRASA DE LA SUPERFICIE DEL HORNO, SIGA LAS SIGUIENTES PAUTASa:

- A.** SOFOQUE LAS LLAMAS con una tapa hermética, una losa de horno o una bandeja metálica y luego apague el quemador. PRESTE MUCHA ATENCION DURANTE ESTA OPERACION PARA EVITAR QUEMADURAS. Si las llamas no se extinguen inmediatamente, EVACUE EL LUGAR Y LLAME A LOS BOMBEROS.
 - B.** NO TOQUE NUNCA UNA CAZUELA HIRVIENTE – se puede quemar.
 - C.** NO USE AGUA, inclusive estropajos o toallas húmedas – se produciría una violenta explosión de vapor.
 - D.** Use un extinguidor SOLO en caso que:
 - 1.** Se tenga un extinguidor de Clase ABC y sepa utilizarlo.
 - 2.** Sea un incendio de dimensiones pequeñas y contenido en el área en la cual ha estallado.
 - 3.** Ya hayan sido llamados los bomberos.
 - 4.** Se puedan afrontar las llamas con la espalda dirigida hacia una salida.
- aBasado en las “medidas sobre seguridad antiincendio en la cocina” publicadas por el NFPA.

Una correcta mantención de la campana garantiza un funcionamiento perfecto de la unidad.

■ INSTRUCCIONES PARA LA INSTALACION.

- ADVERTENCIA** – PARA REDUCIR EL RIESGO DE INCENDIO, SACUDIDA ELECTRICA O DAÑOS A PERSONAS, SIGA LAS SIGUIENTES PAUTAS:
- A.** Las operaciones de instalación y conexión eléctrica deben ser efectuadas por personal calificado, conforme con las leyes y normativas en vigor, incluyendo las de aparatos de fuego.
 - B.** Es necesario tener una cantidad de aire suficiente para obtener una combustión y aspiración del gas correcta a través del humero de la planta de combustión del carburante, para evitar un tiro del del aire en la parte posterior. Segua las indicaciones del fabricante de la planta de calefacción y las relativas normas de seguridad, como las emitidas por la Asociación Nacional de Protección contra Incendios (National Fire

Protection Association - NFPA), por la Sociedad Americana de Técnicos de Calefacción, Refrigeración y Aire Acondicionado (American Society for Heating, Refrigeration and Air Conditioning Engineers - ASHRAE) y por las autoridades de códigos locales.

- C. Cuando corte o taladre en la pared o el techo, no dañe el cableado eléctrico ni otras utilidades escondidas.
- D. El aparato debe estar siempre conectado a un agujero de evacuación hacia el exterior.
- E. La unidad deber ser conectada al suelo.

■ **ADVERTENCIA** – PARA REDUCIR EL RIESGO DE INCENDIO, USE SOLO TUBERIAS METALICAS.

■ **ADVERTENCIA** – EN CIERTOS CASOS LOS ELECTRODOMESTICOS PUEDEN REVELARSE PELIGROSOS.

- A. No controle los filtros mientras la campana se encuentre en función.
 - B. No toque las luces después de un uso prolongado del aparato.
 - C. Nunca flamee un alimento bajo la campana.
 - D. El uso de llamas libres es peligroso para los filtros y puede generar incendios.
 - E. Controle constantemente los alimentos fritos para evitar que los chorros del aceite de la fritura puedan incendiarse.
 - F. Antes de efectuar cualquier operación de mantención, desconecte la campana de la red eléctrica.
- El fabricante no será responsable por eventuales daños causados por la falta de observación de las instrucciones citadas arriba.

- INSTRUCCIONES PARA LA INSTALACION.
- INSTRUCCIONES PARA EL FUNCIONAMIENTO.
- **LEA Y GUARDE ESTAS INSTRUCCIONES.**

■ GENERALIDADES

Lea atentamente la siguiente información relativa a la seguridad durante las operaciones de instalación y mantención. Guarde este opúsculo informativo para ulteriores consultas futuras. El electrodoméstico ha sido proyectado para ser utilizado con la versión aspirante (evacuación del aire hacia el externo - Fig.1).

■ INSTRUCCIONES PARA LA INSTALACION

• Instalación eléctrica (Fig.9):

Para conectar el electrodoméstico a la alimentación eléctrica:

NEGRO = L línea

BLANCO = N neutro

VERDE/AMARILLO = G tierra

Se debe instalar un interruptor bipolar de una medida apropiada que permita que la campana se conecte a la alimentación eléctrica. El electrodoméstico debe ser instalado a una altura mínima de 26 pulgadas (66 cm) sobre los hornos eléctricos, y de 30 pulgadas (76 cm) en caso se usen hornos a gas o combinados. Si se utiliza una tubería compuesta de 2 partes, la parte superior debe ser colocada al externo de la inferior. No conecte la tubería de aspiración del aire de la campana a aquel usado para aspirar el aire caliente o humo de otros electrodomésticos que no sean eléctricos. Antes de proceder con las operaciones de ensamblaje, quite el/los filtro(s) antigrasa (Fig.6). De este modo será más fácil maniobrar la unidad.

- Se aconseja el uso de un tubo de evacuación de aire con el mismo diámetro que la boca de salida de aire (\varnothing 8"). El uso de una reducción podría disminuir las prestaciones del producto y aumentar el ruido.

• Fijar a la pared:

Efectúe los agujeros **A** respetando las cuotas indicadas (Fig.2). Fije el aparato a la pared y póngalo en línea en posición horizontal con los armarios de pared. Una vez efectuada la regulación, fije la campana definitivamente mediante los dos tornillos **X** (Fig.5). Para los montajes en general, utilice los tornillos y los tacos que expanden adecuados al tipo de pared (por ejemplo cemento armado, cartón piedra, etc.). En el caso de que los tornillos y los tacos estén en dotación con el producto, asegúrese de que sean adecuados al tipo de pared en que se debe fijar la campana.

• Fijar los racores telescópicos decorativos:

Predisponga la alimentación eléctrica dentro del espacio ocupado por el racor decorativo. Si su aparato se debe instalar en versión aspiradora, predisponer el agujero para la evacuación de aire. Instale la brida de soporte de la chimenea decorativa superior y fijela a la pared para que esté en eje con la campana mediante los tornillos **A** (Fig.3) y respetando la

distancia desde el cielo raso indicada en la Fig.2. Conecte, mediante un tubo de evacuación del aire, la abrazadera **C** al agujero de evacuación del aire (Fig.5).

ATENCIÓN:

sólo para los modelos KPH482XT antes de instalar las chimeneas decorativas, monte el soporte en la chimenea superior como se muestra en la figura 2A.

Introduzca la chimenea decorativa superior en el interior de la chimenea decorativa inferior y apóyelas sobre el bastidor. Extraiga el racor superior hasta el estribo y fíjelo mediante los tornillos **B** (Fig.3).

■ USO Y MANTENCIÓN

- Se recomienda poner en funcionamiento el aparato antes de proceder a la cocción de un alimento cualquiera. Se recomienda también, dejar funcionar el aparato durante 15 minutos después de haber finalizado la cocción para lograr una evacuación completa del aire viciado. El buen funcionamiento de la campana depende de la realización de un correcto y constante mantenimiento; se debe prestar una atención particular al filtro antigraza y al filtro de carbón activo.

- **El filtro antigraza Baffle:** Es un sistema de aspiración de mayor rendimiento que los filtros de aluminio clásicos. Debido al tipo de estructura consigue retener partículas de grasa reduciendo el ruido al mínimo. Se debe lavar con una frecuencia de 15 a 30 días para evitar que el aceite escape, se puede lavar a mano o directamente en lavavajillas.

- Después de algunos lavados puede cambiar de color. Esto no da derecho a reclamar su sustitución.

- **Limpie frecuentemente la campana, tanto interna como externamente, usando un paño humedecido con alcohol desnaturalizado o detergentes líquidos neutros no abrasivos.**

- La instalación de luz se diseñó para el uso durante la cocción y no para usos prolongados de iluminación general del ambiente. Emplearla de esta forma disminuye notablemente la duración media de las lámparas.

- **Atención:** no respetar las advertencias de limpieza de la campana y de sustitución y limpieza de los filtros comporta riesgos de incendio. Por tanto, es recomendable atenerse a las instrucciones sugeridas.

• Sustitución de las lámparas LED (Fig.7)

Para sustituirlas es necesaria la intervención de un técnico especializado.

- **Mandos luminosos (Fig.8)** la simbología es la siguiente:

A= Botón ILUMINACION.

B= Botón OFF

C= Botón PRIMERA VELOCIDAD

D= Botón SEGUENDA VELOCIDAD

E= Botón TERCERA VELOCIDAD

F= Botón TIMER PARADA AUTOMÁTICA 15 MINUTOS (*)

El aparato está equipado con la función de velocidad **INTENSIVA**, partiendo de la TERCERA velocidad y manteniendo presionado durante 2 segundos aproximadamente el botón

E, esta se activará por 10 minutos, luego de lo cual, regresará a la velocidad configurada anteriormente. Cuando la función se encuentra activada el LED parpadea. Para interrumpirla antes de los 10 minutos, presione nuevamente el botón **E**.

- **Función Clean air**

Presionando el botón **F** por dos segundos (con la campana apagada) se activa la función “**clean air**”. Esta función enciende el motor por 10 minutos cada hora en la primera velocidad. Apenas sea activada la función, el motor parte con la 1° velocidad por un período de 10 minutos, durante los cuales deben relampaguear los botones **F** y **C** contemporaneamente. Terminado este período el motor se apaga y el led del botón **F** se mantiene encendido con una luz fija por 50 minutos. En ese momento el motor reparte en la primera velocidad, los leds **F** y **C** recomienzan a relampaguear por 10 minutos y se repite el ciclo. Presionando cualquier botón, a excepción de las luces, la campana inmediatamente regresa a su funcionamiento normal (ej. presionando el botón **D** se desactiva la función “**clean air**” y el motor cambia a la 2° velocidad; presionando el botón **B** la función se desactiva).

- **Función de temporizador**

(*) La función “**TIMER PARADA AUTOMATICA**” retarda la parada de la campana, que continuará a funcionar a la velocidad seleccionada en el momento del encendido de esta función, 15 minutos.

- **Saturación de los filtros antigraza:**

- Cuando el botón **A** centellea con una frecuencia de **2 seg.**, los filtros antigraza deben ser lavados.

Después que se vuelve a colocar el filtro limpio, es necesario reiniciar la memoria electrónica presionando el botón **A** durante **5 seg.** hasta que deje de centellear.

■ ASISTENCIA

• DECLARACIÓN DE GARANTÍA LIMITADA DE DOS AÑOS

COBERTURA DE ESTA GARANTÍA LIMITADA

Las garantías ofrecidas por Bertazzoni SpA en esta declaración valen exclusivamente para los aparatos y accesorios de Bertazzoni vendidos como productos nuevos al primer propietario por un distribuidor Bertazzoni autorizado, minorista, revendedor o centro de asistencia autorizado de Bertazzoni e instalado en los Estados Unidos o Canadá. Las garantías que se ofrecen en esta declaración no son transferibles y tienen validez a partir de la fecha de instalación.

La cobertura de la Garantía otorgada por Bertazzoni SpA («Bertazzoni») en esta declaración se aplica exclusivamente el aparato Bertazzoni original (el «Producto») vendido al consumidor (el «Comprador») por un vendedor/distribuidor/minorista Bertazzoni autorizado, comprado e instalado en Estados Unidos, Distrito de Columbia, o Canadá, que siempre haya permanecido dentro del país de compra original (Estados Unidos, Distrito de Columbia, o Canadá).

La cobertura de la garantía se activa en la fecha de la compra minorista original del Producto y tiene una duración de **dos (2)** años.

La cobertura de la garantía no es transmisible. En caso de sustitución de piezas o del producto completo, el Producto (o las piezas) de sustitución asumirán la Garantía original restante activada con el documento de la compra minorista original. Esta Garantía no se ampliará con respecto a dicha sustitución.

Bertazzoni SpA reparará o sustituirá cualquier componente que falle o que se demuestre defectuoso debido a los materiales y/o la mano de obra dentro de un plazo de 2 años a partir de la fecha de la compra minorista original y en condiciones de uso residencial, no comercial. La reparación o la sustitución serán gratuitos, incluida la mano de obra a tarifas estándar y los gastos de envío. El Comprador es responsable de proporcionar un acceso razonable al Producto para su mantenimiento. El servicio de reparación debe ser realizado por una Empresa de Mantenimiento Autorizada por Bertazzoni durante el horario laboral normal. El precio de las horas extra o a tarifas prémium de la mano de obra no está cubierto por esta Garantía.

• **IMPORTANTE - Conserve el justificante de la compra original para demostrar el período de garantía.**

La responsabilidad de Bertazzoni por cualquier reclamación de toda índole, con respecto a los bienes y/o servicios proporcionados, no superará en ningún caso el valor de los bienes o del servicio o de parte de los mismos que diera lugar a la reclamación.

Garantía estética de 30 días

El Comprador es quien debe inspeccionar el producto en el momento de la entrega. Bertazzoni garantiza que el Producto no presenta defectos de fabricación en materiales y mano de obra durante un período de treinta (30) días desde la fecha de compra minorista original del Producto.

Esta cobertura incluye:

- > Defectos en la pintura
- > Desconchados
- > Defectos macroscópicos en el acabado

La garantía estética NO cubre:

- > problemas derivados del transporte, manipulación y/o instalación incorrectos (abolladuras, estructuras o componentes rotos, doblados o deformados, componentes de vidrio destrozados)
- > ligeras variaciones de color en componentes pintados/esmaltados
- > diferencias provocadas por la iluminación natural o artificial, la ubicación u otros factores análogos
- > manchas/corrosión/decoración provocadas por sustancias externas y/o factores ambientales
- > **costes de mano de obra, pantalla, suelo, artículos B-stock, aparatos sacados de la caja, aparatos vendidos en las condiciones en que se encuentren y unidades de demostración.**

CÓMO RECIBIR ASISTENCIA

Para recibir asistencia en garantía, el Comprador debe contactar con el Servicio de Asistencia de Bertazzoni para identificar el problema y los procedimientos de mantenimiento correctos. Le pedirán el número del modelo, número de serie y la fecha de compra minorista original.

• IMPORTANTE - Conserve el justificante de la compra original para demostrar el período de garantía.

Si se encuentra en EE.UU.

866 905 0010

<https://us.bertazzoni.com/more/support>

Si se encuentra en CANADÁ

800 561 7265

<https://ca.bertazzoni.com/more/support>

• EXCLUSIONES DE LA GARANTÍA – QUÉ NO CUBRE

- > Uso del Producto para aplicaciones no residenciales y/o comerciales
- > Uso del Producto para cualquier otro fin distinto de su uso previsto
- > Servicio de reparación efectuado por una empresa que no sea una agencia de asistencia autorizada de Bertazzoni.
- > Los daños o servicios de reparación para corregir el servicio proporcionado por una agencia no autorizada o debido al uso de repuestos no autorizados.
- > Instalación no conforme con los códigos, normativas o leyes locales/estatales/municipales/del condado en materia de incendios, electricidad, gas, fontanería y construcción.
- > Los defectos o daños debidos al almacenamiento inadecuado del Producto.

- > Los defectos o daños o piezas ausentes en los productos vendidos fuera del embalaje original de fábrica o procedente de exposiciones.
 - > Las llamadas de asistencia o reparaciones para corregir la instalación incorrecta del producto y/o accesorios relacionados.
 - > Sustitución de piezas/llamadas de asistencia para conectar, convertir o de otra manera reparar el cableado eléctrico y/o la línea de gas necesarios para usar correctamente el Producto.
 - > Sustitución de piezas/llamadas de asistencia para dar indicaciones y enseñar a usar el Producto.
 - > Sustitución de piezas/llamadas de asistencia para corregir problemas por utilizar el producto de manera diferente de lo que es normal y habitual para el uso residencial.
 - > Sustitución de piezas/llamadas de asistencia por desgaste normal y habitual, como el que se produce en las juntas, perillas, soportes de las bandejas, repisas, cestas para cubertería, botones, pantallas táctiles, superficies de vidrio cerámico rayadas o rotas
 - > Sustitución de piezas/llamadas de asistencia por ausencia/mantenimiento incorrecto, a título enunciativo: acumulación de suciedad, manchas, arañazos, decoloración, corrosión
 - > Sustitución de los componentes de vidrio y las bombillas si la reclamación se hace en los siguientes 30 días de la fecha de compra minorista original.
 - > Los defectos y daños derivados de accidentes, alteración, mal uso, abuso, instalación incorrecta.
 - > Los defectos y los daños derivados del transporte, la logística y la manipulación del Producto. El Producto debe inspeccionarse en el momento de la entrega. Cualquier problema derivado de la manipulación, el transporte y la logística se debe notificar al distribuidor responsable de la venta/la empresa de transporte tras la recepción e inspección del Producto.
 - > Los defectos y daños derivados de factores externos ajenos al control de Bertazzoni SpA, a título enunciativo, viento, lluvia, arena, incendios, inundaciones, corrimientos de tierra, temperaturas bajo cero, exceso de humedad o exposición prolongada a la humedad, subidas de tensión, fallos en la iluminación o estructurales alrededor del aparato y otros casos fortuitos.
 - > Los productos con el número de serie alterado/ dañado/manipulado.
- Bertazzoni no será en ningún caso responsable de los daños a la propiedad circundante, incluido el mobiliario, los armarios, el pavimentos, los paneles y otras estructuras alrededor del Producto.

Bertazzoni no es responsable del Producto si este se encuentra instalado en una zona remota o en un lugar donde no se disponga de técnicos formados y certificados dentro de lo razonable. El Comprador asumirá los costes de transporte y entrega del Producto al Centro de Asistencia Autorizado más cercano o de las tarifas adicionales por desplazamiento de un técnico formado y certificado.

NO SE OTORGA NINGUNA OTRA GARANTÍA EXPLÍCITA MÁS ALLÁ DE LAS ENUNCIADAS Y DESCRITAS ARRIBA, TAMPOCO SE APLICARÁ NINGUNA OTRA GARANTÍA, YA FUERA EXPLÍCITA O IMPLÍCITA, A TÍTULO ENUNCIATIVO, CUALQUIER GARANTÍA IMPLÍCITA DE COMERCIABILIDAD O IDONEIDAD PARA UN FIN CONCRETO TRANSCURRIDOS LOS PLAZOS DE

GARANTÍA EXPLÍCITOS ENUNCIADOS MÁS ARRIBA. NINGUNA OTRA GARANTÍA EXPLÍCITA OTORGADA POR NINGUNA PERSONA, EMPRESA O CORPORACIÓN CON RESPECTO A ESTE PRODUCTO SERÁ VINCULANTE PARA BERTAZZONI. BERTAZZONI NO SERÁ RESPONSABLE DE LA PÉRDIDA O LUCRO CESANTE, IMPOSIBILIDAD DE REALIZAR AHORROS U OTROS BENEFICIOS, TIEMPO FUERA DEL TRABAJO, COMIDAS, PÉRDIDA DE ALIMENTOS O BEBIDAS, GASTOS DE DESPLAZAMIENTO O ALOJAMIENTO, GASTOS DE ALQUILER O COMPRA DE ELECTRODOMÉSTICOS, GASTOS DE REFORMA/CONSTRUCCIÓN QUE EXCEDAN LOS DAÑOS DIRECTOS QUE SEAN IMPUTABLES DEFINITIVAMENTE Y CON CARÁCTER EXCLUSIVO A BERTAZZONI, NI DE NINGÚN OTRO DAÑO ESPECIAL, FORTUITO O CONSECUENCIAL PROVOCADO POR EL USO, USO INDEBIDO O INCAPACIDAD DE USAR ESTE PRODUCTO, CON INDEPENDENCIA DE LA DOCTRINA JURÍDICA EN LA QUE SE SUSTENTE LA RECLAMACIÓN E INCLUSO AUNQUE BERTAZZONI HUBIERA SIDO ADVERTIDA DE LA POSIBILIDAD DE QUE SE PRODUJERAN DICHOS DAÑOS. LA CUANTÍA DE CUALQUIER INDEMNIZACIÓN RECLAMADA A BERTAZZONI NO PODRÁ SUPERAR EN IMPORTE EL PRECIO DE COMPRA DEL PRODUCTO VENDIDO POR BERTAZZONI Y CAUSANTE DEL SUPUESTO DAÑO. SIN PERJUICIO DE LO EXPUESTO, EL COMPRADOR ASUME TODO EL RIESGO Y LA RESPONSABILIDAD POR LA PÉRDIDA, PERJUICIO O DAÑO PERSONAL AL COMPRADOR Y A LA PROPIEDAD DEL COMPRADOR Y A TERCEROS Y SUS BIENES A CONSECUENCIA DEL USO, USO INDEBIDO O INCAPACIDAD DE USAR ESTE PRODUCTO VENDIDO POR BERTAZZONI Y QUE NO SEAN IMPUTABLES DE MANERA DIRECTA A LA NEGLIGENCIA DE BERTAZZONI. ESTA GARANTÍA LIMITADA NO SE AMPLIA A NINGUNA OTRA PERSONA DISTINTA DEL COMPRADOR ORIGINAL DE ESTE PRODUCTO, NO ES TRANSMISIBLE Y ESTIPULA SU ÚNICO RECURSO.

Bertazzoni no asume ninguna responsabilidad frente a daños fortuitos o consecuenciales. Algunos Estados no permiten la exclusión o la limitación de la responsabilidad por daños incidentales o consecuentes, por lo que en tal caso particular no valdrán las limitaciones o exclusiones anteriores. Esta garantía le otorga derechos legales específicos y usted también podría tener otros derechos que varían de un Estado a otro y de una provincia a otra.

Si tiene cualquier pregunta sobre esta Garantía Limitada puede dirigir sus consultas a Atención al Cliente de Bertazzoni.

Si se encuentra en EE.UU.:

866 905 0010

<https://us.bertazzoni.com/more/support>

Si se encuentra en CANADÁ:

800 561 7265

<https://ca.bertazzoni.com/more/support>

