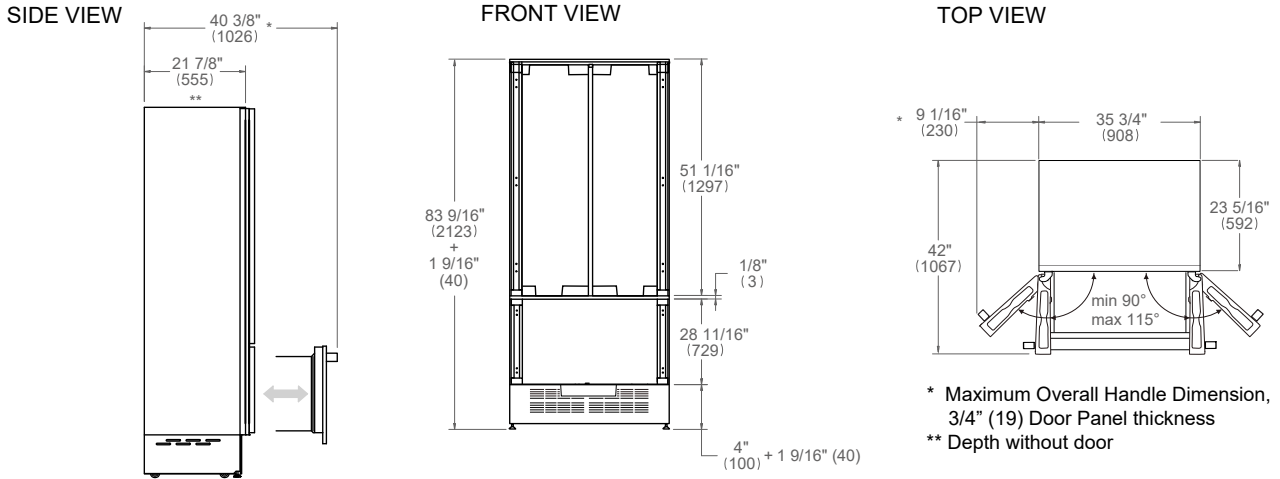


# REF36FDBZPNV/24

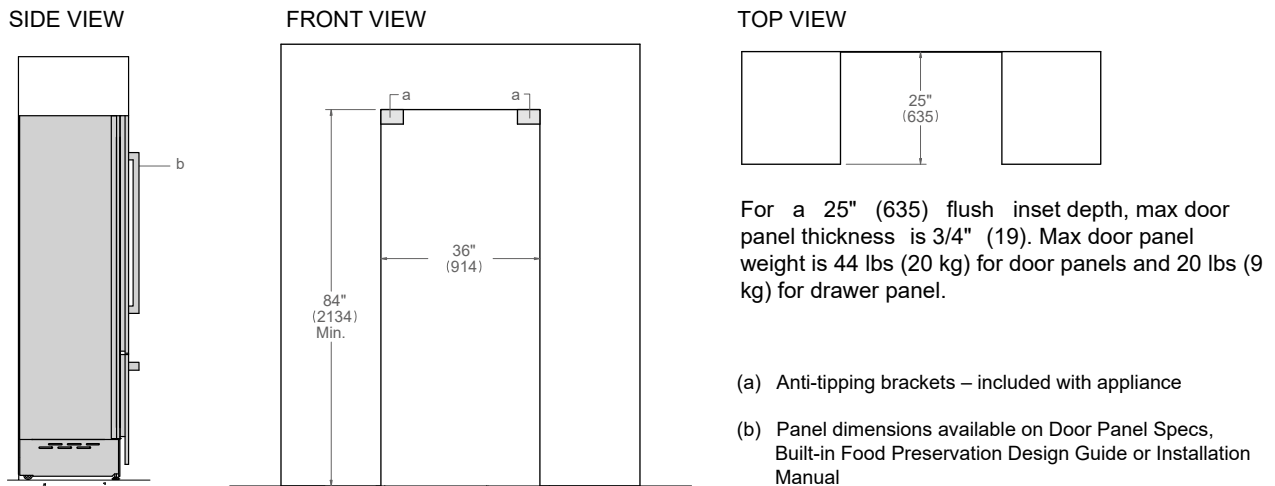
REFRIGERATOR 36" BUILT-IN FRENCH DOOR WITH ICE MAKER AND INTERNAL WATER DISPENSER  
 PANEL READY (STAINLESS STEEL PANEL KIT AVAILABLE)



## PRODUCT DIMENSIONS



## CUTOUT DIMENSIONS

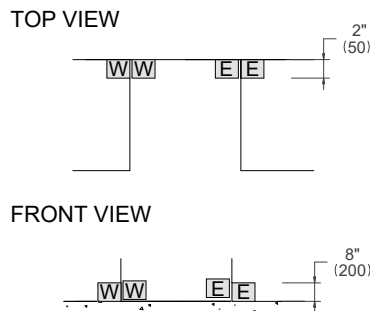


## ELECTRICAL & WATER CONNECTION

**E** A properly-grounded, horizontally-mounted electrical receptacle should be installed according to this drawing.

**W** To connect to the water supply system, use a 1/4" waterline with a minimum length of 60" (1500).

Connection(s) placement within the opening may require additional cabinet depth.



## INSTALLATION REQUIREMENTS

If the appliance(s) is not connected through the side profile trims to secured cabinetry anti-tip brackets must be installed.

Dimensions in parentheses are millimeters unless otherwise specified.