



## 30" Touch Control Electric Cooktop

CTE30410

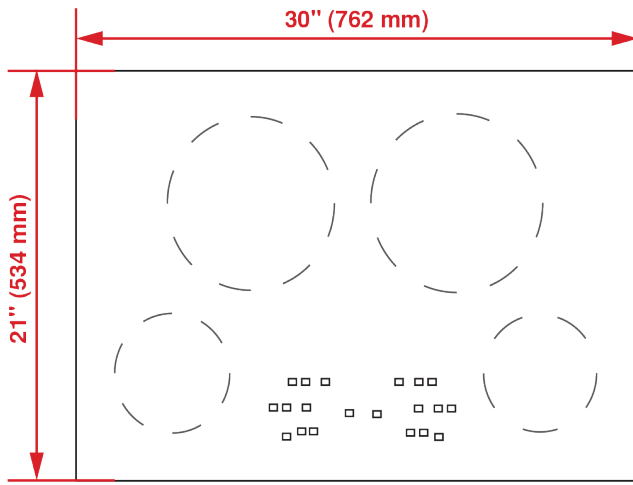


### FEATURES

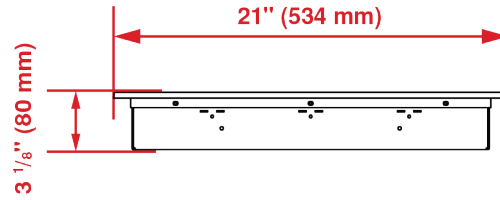
- Electric with Front Touch Control
- Four Vitroceramic Cooking Zones
- Double Duo Zones
- Smooth Top for Easy Cleaning
- Programmable Touch Control System
- Slide Touch Control with Timer
- Residual Heat Indicator

GENERAL	
Size	30"
Finish	Frameless Black Glass
Control Type	Electronic Touch Controls
Control Lock	Yes
Fuel Type	Electric
FEATURES & PERFORMANCE	
Cooking Levels	19
Zone Configuration	4 Vitroceramic
Front Left (Standard / Boost)	5 <sup>3</sup> / <sub>4</sub> " - 1,200 W Hi-Light
Rear Left (Standard / Max. Boost)	4 <sup>3</sup> / <sub>4</sub> " / 8 <sup>1</sup> / <sub>4</sub> " - 750 / 2,200 W Duo
Center (Standard / Max. Boost)	DO NOT SHOW ROW
Front Right (Standard / Max. Boost)	5 <sup>3</sup> / <sub>4</sub> " - 1,200 W Hi-Light
Rear Right (Standard / Max. Boost)	4 <sup>3</sup> / <sub>4</sub> " / 8 <sup>1</sup> / <sub>4</sub> " - 750 / 2,200 W Duo
Fast Boil Key (Boost)	Yes
Residual Heat Indicators	Yes
POWER / RATINGS	
Total Power Consumption	6,800 W
Volts / Frequency	240/208 V, 60 Hz
Min. Circuit Breaker Size	40 A
Electrical Connection	Flexible Conduit, 3-Wire or 4-Wire
DIMENSIONS & WEIGHT	
Product (H x W x D) (in)	3 <sup>1</sup> / <sub>8</sub> " x 30" x 21"
Required Cutout Size (W x D) (in)	28 <sup>11</sup> / <sub>16</sub> " - <sup>15</sup> / <sub>16</sub> " x 19 <sup>1</sup> / <sub>4</sub> " - <sup>5</sup> / <sub>8</sub> "
Product Weight (lbs)	25.8 lbs

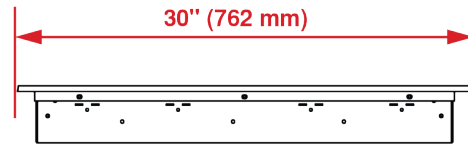
Top



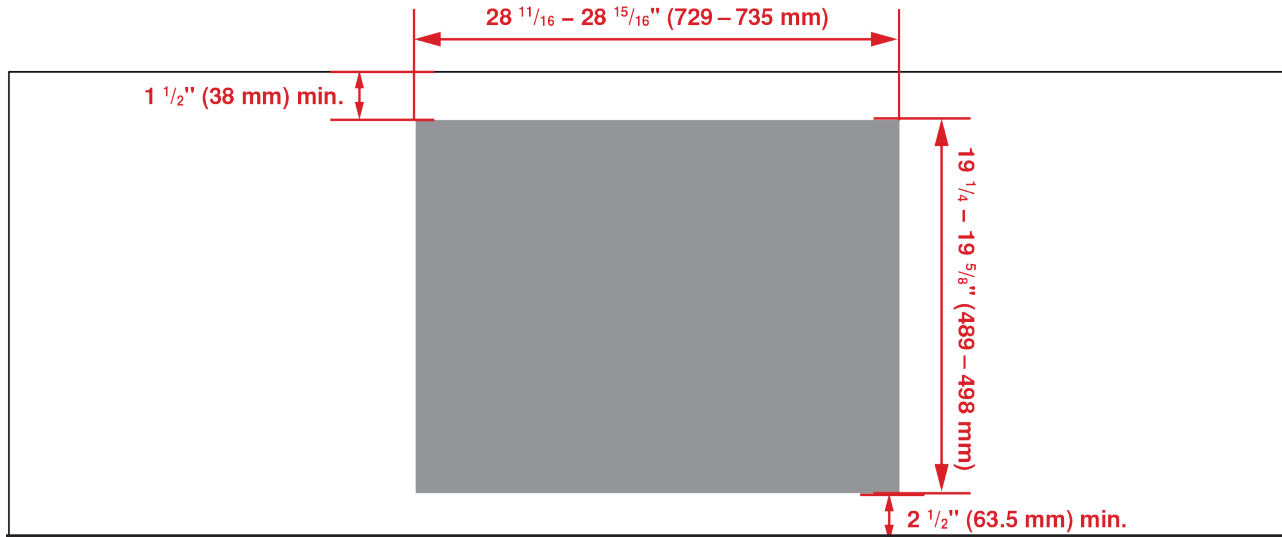
Side — Side View



Front — Side View



Countertop Cutout



NOTE TO THE INSTALLER: All height, width and depth dimensions are shown in inches (as well as metric). Beko US Inc. reserves the absolute and unrestricted right to change product materials and specifications, at any time, without notice. Please visit our website [www.beko.us](http://www.beko.us) or call 888 352 2356 to verify the latest specifications with final dimensional data and other details prior to installation and making a cutout. Applicable product limited warranty information may be found in accompanying product materials or you may contact your account manager for further details. Proper installation is the responsibility of the installer. Product failure due to improper installation is not covered under the Limited Warranty.