



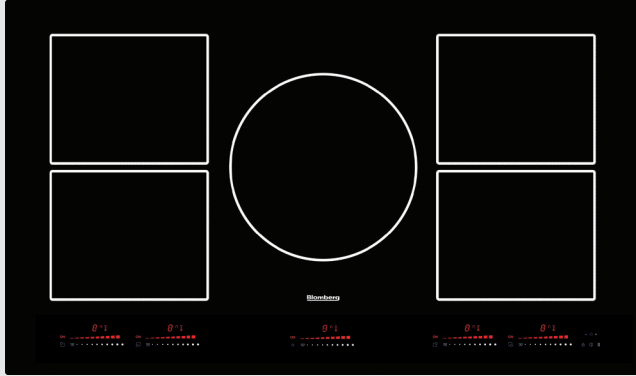
IN HARMONY WITH NATURE,
YOUR LIFE, AND YOU.

Blomberg[®]

seit 1883

36" Induction Cooktop

CTI36510

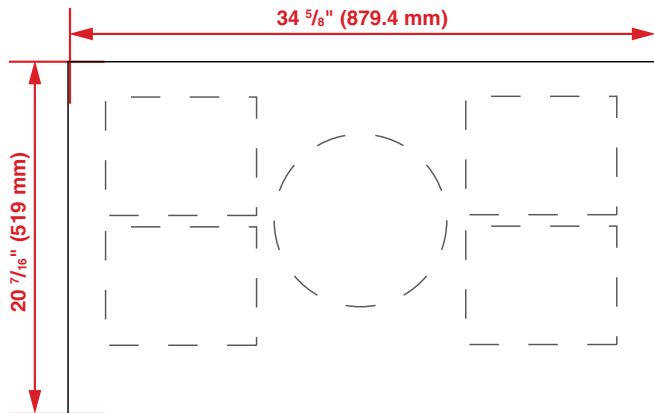


FEATURES

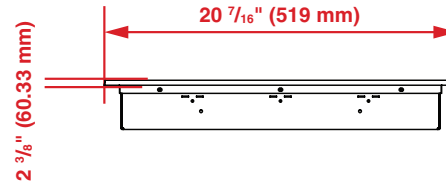
- 5 Induction Zones
- 9 Cooking Levels
- Automatic Pan Recognition
- On/Off Light
- Fully Automatic Cooling System
- Warming Function

| GENERAL | |
|-----------------------------------|---|
| Size | 36" |
| Finish | Frameless Black Glass |
| Heating Technology | Induction |
| Control Type | Front Touch Control |
| BURNER FEATURES | |
| Number of Burners | 5 |
| Digital Display Type | LED, Slide Control |
| Timer | Yes |
| Cooking Levels | 9 |
| Booster | Yes |
| Residual Heat Indicators | Yes |
| Display Lock | Yes |
| BURNER POWER LEVELS | |
| Front Left | 7" x 7 ⁷ / ₈ " — 2,100/3,700 W |
| Front Right | 7" x 7 ⁷ / ₈ " — 2,100/3,700 W |
| Rear Left | 7" x 7 ⁷ / ₈ " — 2,100/3,700 W |
| Rear Right | 7" x 7 ⁷ / ₈ " — 2,100/3,700 W |
| Center | 11" — 2,500/3,700 W |
| Total Power | 11,100 W |
| POWER / RATINGS | |
| Voltage / Frequency | 220–240 V, 50–60 Hz |
| DIMENSIONS | |
| Required Cutout Dimension (H x W) | 31 ⁷ / ₈ x 19 ⁵ / ₁₆ in. |
| H x W x D | 2 ³ / ₈ x 34 ⁵ / ₈ x 20 ⁷ / ₁₆ in. (.4 x 88 x 52 cm) |
| Product Weight | 28.66 lbs. (13 kg) |
| Packed H x W x D | 4 ³ / ₄ x 37 ¹³ / ₃₂ x 23 ⁵ / ₈ in. (12 x 95 x 60 cm) |
| Packed Weight | 33 lbs. (15 kg) |

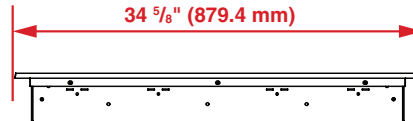
Top



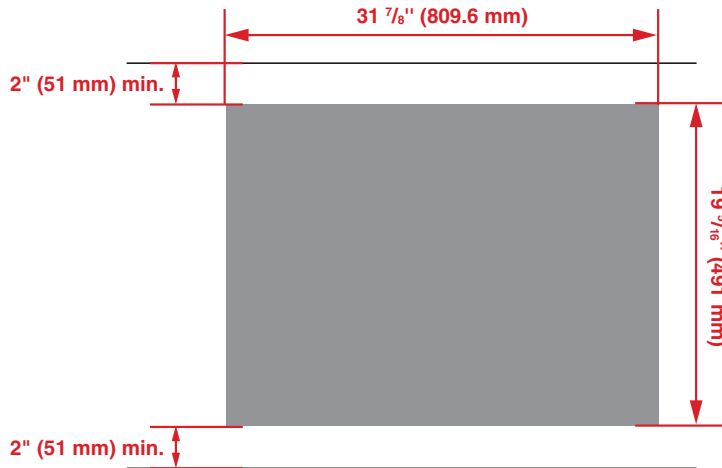
Side – Side View



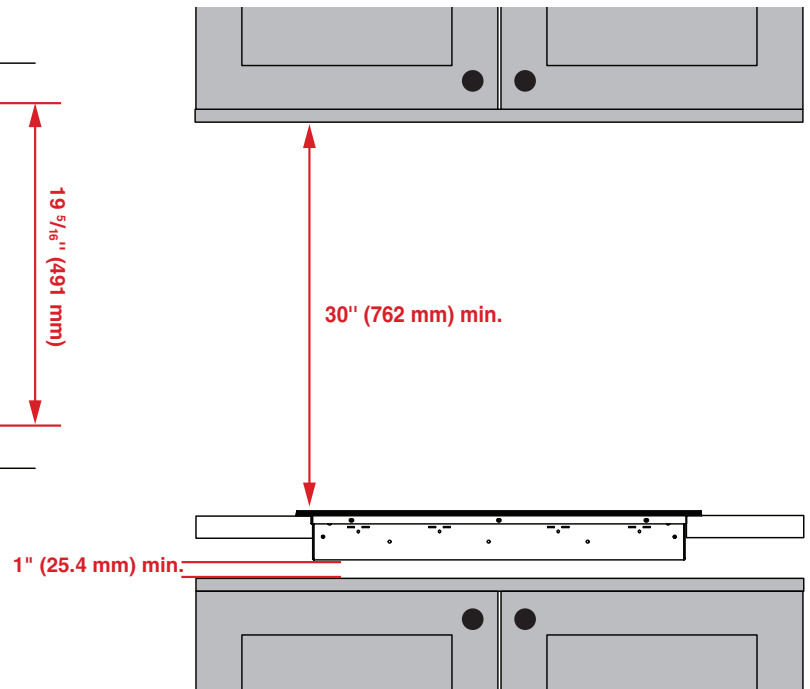
Front – Side View



Countertop Cutout



Cabinet Space



NOTE TO THE INSTALLER: All height, width, and depth dimensions are shown in inches (as well as metric). Beko U.S., Inc. reserves the absolute and unrestricted right to change product materials and specifications, at any time, without notice. Please visit our website at www.BloombergAppliances.com or call 888.352.2356 to verify the latest specifications with final dimensional data and other details prior to installation and making a cutout. Applicable product limited warranty information may be found in accompanying product materials, or you may contact your account manager for further details. Proper installation is the responsibility of the installer. Product failure due to improper installation is not covered under the Limited Warranty.

IN HARMONY WITH NATURE, YOUR LIFE, AND YOU.