



XOC_SC
GLIDE-OUT VISOR

HOW BEAUTIFUL KITCHENS BREATHE



XOC_SC

- Electronic 3 Speed + Power Boost
- CCC Code Compliance Control
- Dishwasher Safe Aluminum Mesh Filters
- 5 Minute delay function

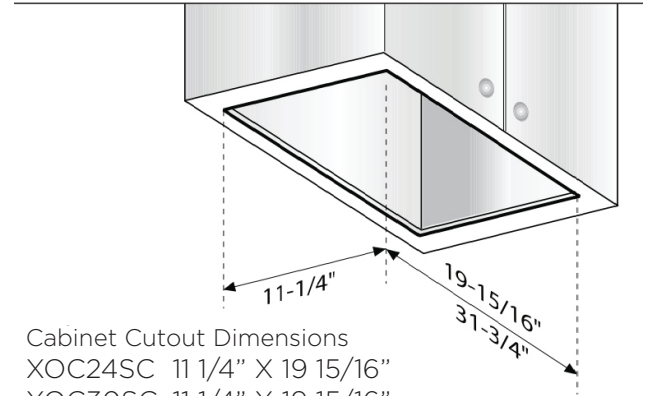
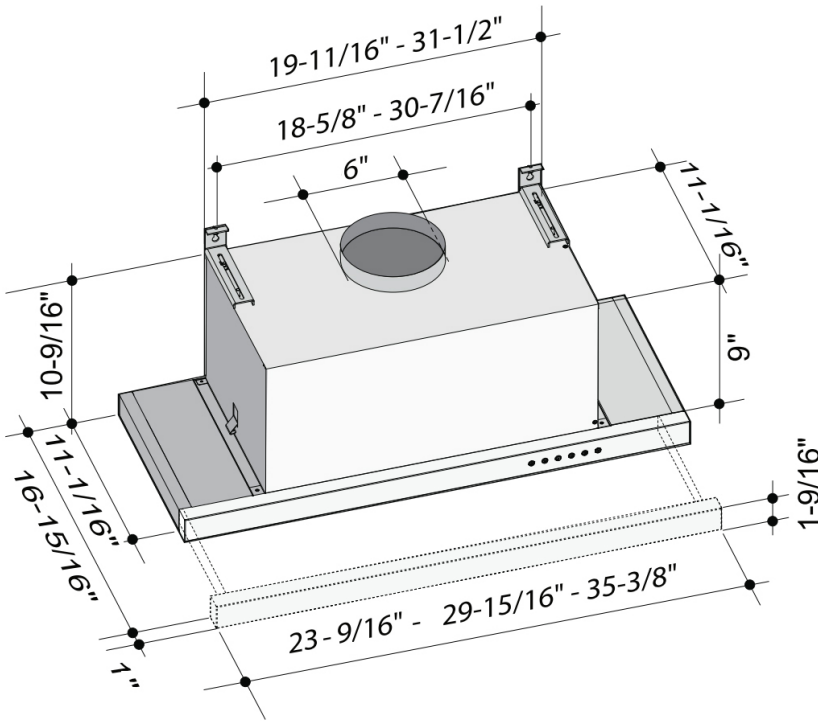
DESIGNED AND CRAFTED IN ITALY

The XOC may look like other minimal profile range hoods but that is where the similarity ends. This powerful, versatile unit glides flush with your cabinets to reveal only a thin stainless steel band when closed but unlike other systems, the blower and lighting are fully functional with the filter visor open or shut. One more practical and beautiful innovation from XO.

WORLD CLASS SERVICE | COMPREHENSIVE WARRANTIES

OUR LASTING COMMITMENT TO YOU





Cabinet Cutout Dimensions
 XOC24SC 11 1/4" X 19 15/16"
 XOC30SC 11 1/4" X 19 15/16"
 XOC36SC 11 1/4" X 31 3/4"



FEATURES

FINISH

Stainless Steel

FEATURES

- Electronic 3 Speed Control + Power Boost
- CCC Code Compliance Control - 395 or 600 CFM
- Incomparable handcrafted Italian finish
- High Efficiency 3000K LED Lights (x2)
- High Velocity Blower optimally removes Smoke, Grease and Odors
- Blower & Lights operate with visor open or closed
- Dishwasher Safe Aluminum Mesh Filter
- 5 Minute Delay Shutoff Timer
- Made In Italy

PERFORMANCE

SPEED	1	2	3	BOOST
CFM	160	250	395	600
SONES	1.0	2.5	4.0	6.5

SPECIFICATIONS

ELECTRICAL 115VAC 60HZ 3.6 AMP

DIMENSIONS

H 10 9/16"
 W 23-9/16" - 29-15/16" - 35-3/8"
 D 12 1/16"

MOUNTING HEIGHT

ABOVE COOKING 27" - 32"

DEPTH VISOR EXTENDED 17-15/16"

OPTIONS

- Recirculation kit available
30", 36" **MODEL: XORFK12**
- Recirculation Filters **MODEL: XORFRND**
- Make Up Air Kit (6") **MODEL: XOMA06**

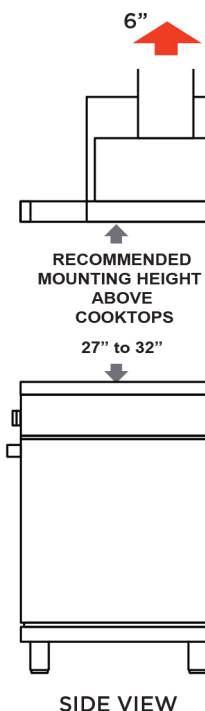
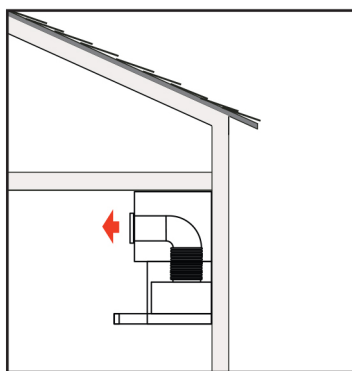
RECOMMENDED MOUNTING HEIGHT

All range hoods have a recommended range of installation height over the cooking surface. However cooking styles, types of cooking equipment and installation limitation can vary greatly. For installations outside the recommended range - consult XO.

THESE MODELS HAVE A 6" DIAMETER VERTICAL EXHAUST DUCT

RECIRCULATION

These XOC models may be installed with an optional recirculation kit when venting outside is not practical. When used in recirculation mode the filtered exhaust must be ducted back into the living space. Never discharge the exhaust into a confined space such as a soffit, attic, garage, crawl space or the voids between walls.



HOW DOES CODE COMPLIANCE CONTROL HELP -



CODE COMPLIANCE CONTROL (CCC) enables the installer to re-program the hood as it is being installed. **Your XO Hood is set to operate at 600 CFM maximum at the factory.**

Re-programming is accomplished quickly and requires no special tools or additional parts but once done, the air flow rate is limited to a maximum of 395 CFM below the 400 CFM cap that most local codes impose eliminating the need for additional controls.

Re-programming also disables the Power Boost function. After conversion, the installer affixes a label stating the unit has been converted to 395 CFM max. Once done, the unit cannot be changed back.

If your application calls for a make-up air solution, XO gives you more choices.