



**XOGV\_S**  
1200 CFM EXHAUST HOOD

PUT SOME AWESOME IN YOUR BACKYARD



**XOGV\_S**

- 304 Stainless steel exterior
- Two powerful blowers
- 33" depth - a must for proper capture
- Perfect for any grilling arrangement

## POWERFUL PERFORMANCE

- Exhaust either vertically or horizontally through a 10-inch round duct
- Two powerful blowers capable of exhausting up to 1,200 CFM
- Four LED lamps brilliantly illuminate the cooking area
- Perfect for any grilling arrangement with top or rear discharge capabilities
- 33" depth ( Most grill installs are 6" from non combustible wall)
- Seamless, hand-crafted welded edges ensure strength and durability
- 304 Stainless steel exterior is easy to keep clean and eliminates grease traps
- Commercial-grade, high luster baffle filters are attractive and long-lasting

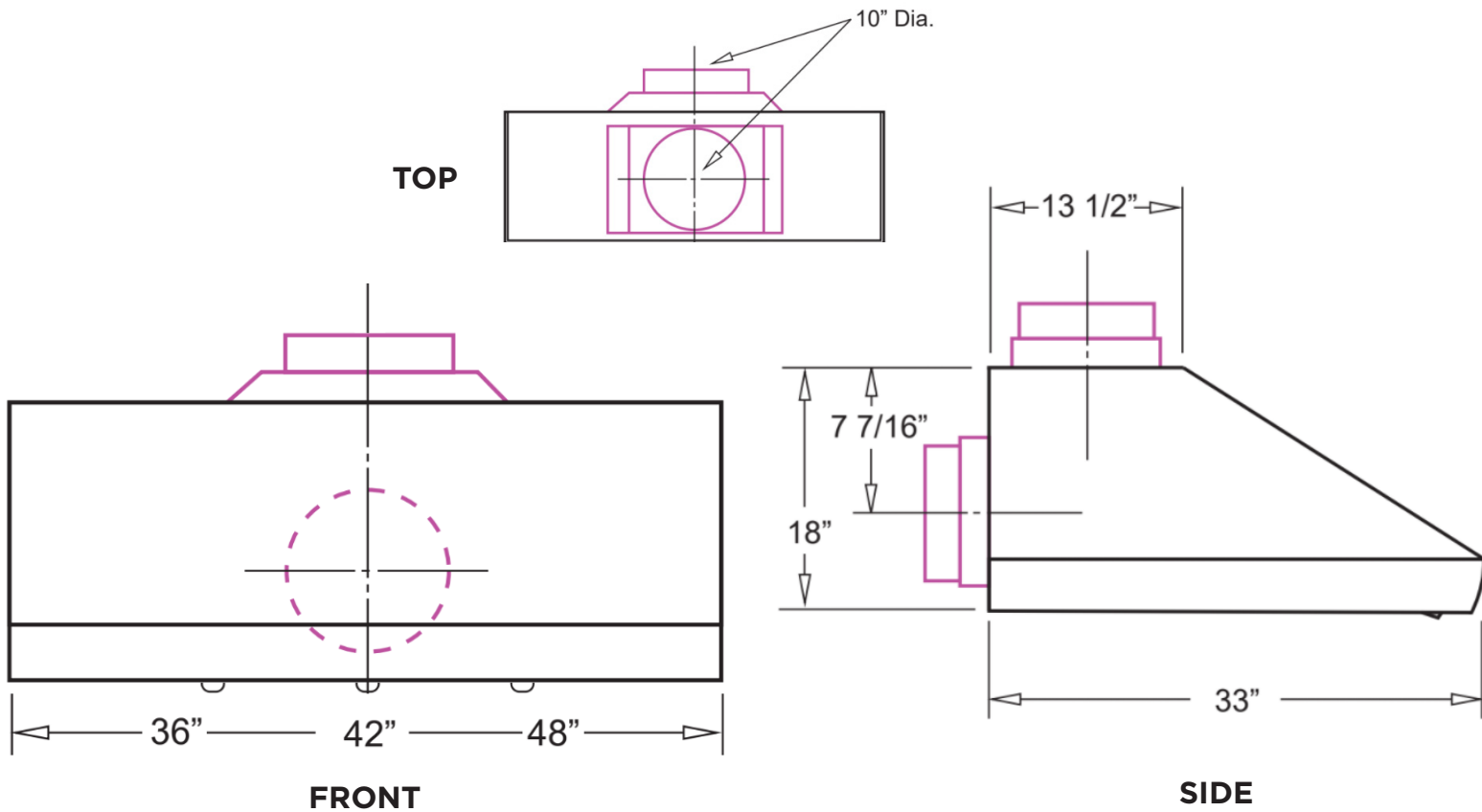
At XO, we believe that a good design is something everyone can afford

WORLD CLASS SERVICE | COMPREHENSIVE WARRANTIES

OUR LASTING COMMITMENT TO YOU



For 90 days, all our products are backed by our unique Love It or Leave It Guarantee\*



## FEATURES

**FINISH**

Stainless Steel

**FEATURES**

- Exhaust either vertically or horizontally through a 10-inch round duct
- Two powerful blowers capable of up to 1,200 CFM
- Four LED lamps brilliantly illuminate cooking area
- 33" depth - a must for proper capture ( Most grill installs are 6" from non combustible wall)
- Seamless, hand-crafted welded edges ensure strength and durability
- 304 Stainless steel exterior
- Commercial-grade, high luster baffle filters

## SPECIFICATIONS

**ELECTRICAL** 115VAC 60HZ 8.5 AMP

### DIMENSIONS

H 18"

W 36", 42", 48"

D 33"

### RECOMMENDED MOUNTING HEIGHT

ABOVE COOKING 30" - 42"

### OPTIONS

36"Wx6"H Duct Cover	<b>XOGV36X6DC</b>
42"Wx6"H Duct Cover	<b>XOGV42X6DC</b>
48"Wx6"H Duct Cover	<b>XOGV48X6DC</b>
36"Wx12"H Duct Cover	<b>XOGV36X12DC</b>
42"Wx12"H Duct Cover	<b>XOGV42X12DC</b>
48"Wx12"H Duct Cover	<b>XOGV48X12DC</b>
Telescoping 28"Wx55"H	<b>XOGV18TELDC</b>

(2 Sections for ceiling height up to 11.5 ft)

## CLEARANCE TO COMBUSTIBLE CONSTRUCTION:

- If installed under any combustible construction the area above the cooking surface of the grill must be covered with an approved exhaust hood.
- It is highly recommended the hood be sized with a 3" overhang on all exposed sides.
- The exhaust hood shall provide no less than 1,200 CFM of proper exhaust ventilation.
- The exhaust hood must be approved for outdoor installation and used with a dedicated GFCI branch circuit.

