



XOGVIL_S
1200 CFM EXHAUST HOOD INSERT

PUT SOME AWESOME IN YOUR BACKYARD



XOGVIL_S

- 304 Stainless steel exterior
- Two powerful blowers 1200CFM
- 22" depth - a must for proper capture
- Perfect for any grilling arrangement

POWERFUL PERFORMANCE

- Exhaust vertically through a 10-inch round duct
- Two powerful blowers capable of exhausting up to 1,200 CFM
- Four LED lamps brilliantly illuminate the cooking area
- 304 Stainless steel exterior is easy to keep clean
- 22" Depth for improved capture
- Stainless steel pro baffle filters are dishwasher safe for easy clean ups
- Designed and crafted in Italy

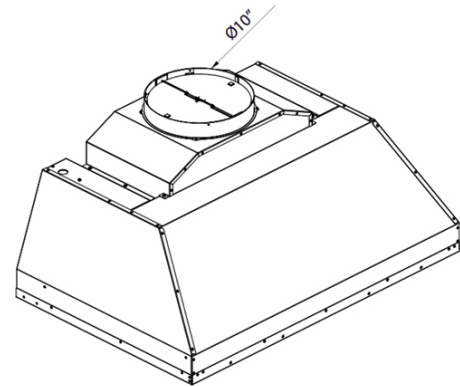
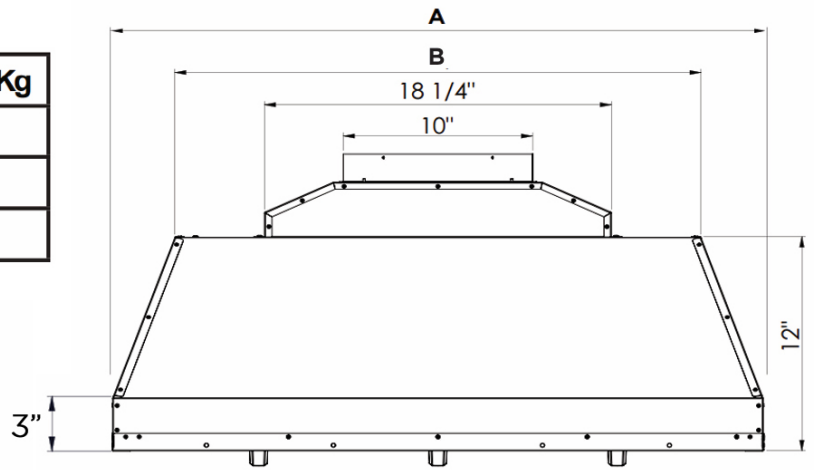
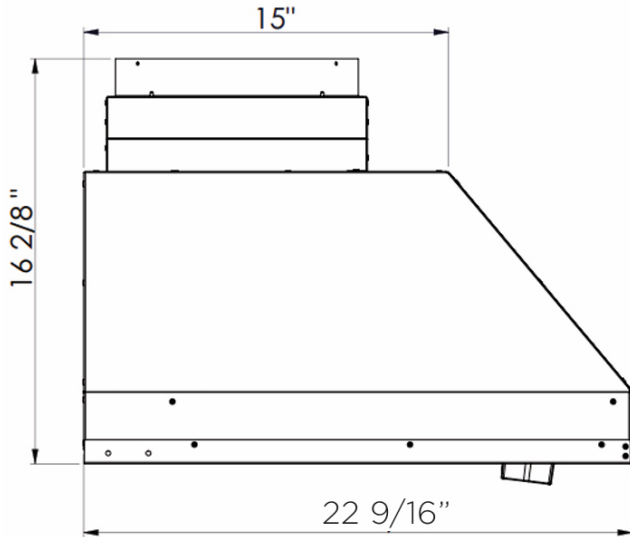
At XO, we believe that a good design is something everyone can afford

WORLD CLASS SERVICE | COMPREHENSIVE WARRANTIES

OUR LASTING COMMITMENT TO YOU



MODEL	A	B	Gross weight Kg
XOGVIL36S	34 1/2"	27 3/4"	36
XOGVIL42S	40 1/2"	33 3/4"	38
XOGVIL48S	46 1/2"	39 3/4"	42



FEATURES

FINISH

Stainless Steel

FEATURES

- Exhaust vertically through a 10-inch round duct
- Two powerful blowers capable of exhausting up to 1,200 CFM
- Four LED lamps brilliantly illuminate cooking area
- 304 Stainless steel exterior is easy to keep clean
- 22" Depth for improved capture
- Stainless steel pro baffle filters are dishwasher safe for easy clean ups
- Designed and crafted in Italy

SPECIFICATIONS

ELECTRICAL 115VAC 60HZ 8.5 AMP

DIMENSIONS

H 12"
 W 34 1/2", 40 1/2", 46 1/2"
 D 22-9/16"

RECOMMENDED MOUNTING HEIGHT

ABOVE COOKING 30" - 42"

CUTOUT DIMENSIONS

XOGVIL36S - 34 5/8" W x 22 5/8" D
XOGVIL42S - 40 5/8" W x 22 5/8" D
XOGVIL48S - 46 5/8" W x 22 5/8" D

CLEARANCE TO COMBUSTIBLE CONSTRUCTION:

- If installed under any combustible construction the area above the cooking surface of the grill must be covered with an approved exhaust hood.
- It is highly recommended the hood be sized with a 3" overhang on all exposed sides.
- The exhaust hood shall provide no less than 1,200 CFM of proper exhaust ventilation.
- The exhaust hood must be approved for outdoor installation and used with a dedicated GFCI branch circuit.

