

**EVERY
THING
YOU NEED
TO KNOW
ABOUT YOUR**

XO

LIFESTYLE REFRIGERATION
MODEL: XOU2470WTZGO

I worked really hard
on this manual -
so please read it...

XO

 **WARNING**

State of California Proposition 65 Warning:
This product contains one or more chemicals known to the State of California to cause cancer, birth defects or other reproductive harm.



When buying any XO appliance, you can be confident you have chosen a high quality, innovative and stylish product from a company that cares about you!

If you require service or have questions, there are 2 ways to contact our appliance experts;

Online @ <https://xoappliance.com/priority-service-for-your-xo-product/>

Or by phone 973-403-8900



CONGRATULATIONS

on purchasing your XO.
Before you proceed, take just a moment to register your XO at:

www.xoappliance.com/register-your-product/

Or simply scan here to be taken to the registration page...



REGISTRATION HELPS YOU BY -

Ensuring warranty coverage should you need service
Providing ownership verification for insurance purposes
XO can notify you in the event of product changes or recalls.

WHERE THINGS ARE

Before You Get Started

5 - 8

Installer Checklist
Find Your Model
Safety Instructions
Electrical and Grounding Instructions

Installation Instructions

9 - 14

Sizes and Installation Dimensions
Reversing the Door
Leveling Your XO
Overlay Panel Installation
Anti-Tip Bracket

Operating Instructions

15 - 20

Control System Overview
Setting the Temperature
Functions
Wine and Beverage Storage
Rack Removal

Care and Cleaning

21 - 22

Helpful Hints
Cleaning the Interior / Exterior
Changing the Carbon Air Purification Filter

FAQ's

23 - 24

Before You Call For Service
Warranty

**PLEASE READ AND FOLLOW
ALL SAFETY INSTRUCTIONS**

It's for your
own good...
Honest.

XO

DEAR INSTALLER THE JOB ISN'T DONE UNTIL

To ensure that the installation process is successfully completed, here are few things to review...

- Is the unit plugged in?
- Are the controls on? (Panel will illuminate.)
- Are the controls operating correctly?
- Has the unit been properly leveled - both side to side and front to back - with all 4 leveling feet securely making contact with the floor?
- Has the panel been securely attached and properly aligned?
- After installation, does the door open sufficiently to fully extend the shelves?
- Is the door sealing properly?
- Is the handle secure?
- Have you thoroughly inspected the surfaces for any imperfections?
- Have you reviewed this manual with the customer and explained the unit's operation and care?
- Has the customer received copies of the literature?
- Have you properly disposed of all packing materials properly (recycle, please)?
- Is the customer satisfied?

DANGER

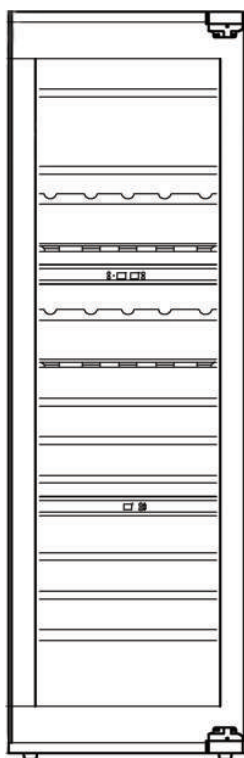
RISK OF CHILD ENTRAPMENT!

An empty refrigerator is a very dangerous attraction to children.

Remove door gaskets, latches, lids, lock and/or doors from unused or discarded appliances, or take other actions to guarantee them harmless.

Always dispose of old appliances in accordance with local laws and regulations.

THE MODEL COVERED IN THIS **BOOK**



XOU2470WTZGO

RECORD YOUR SERIAL NUMBER
HERE IN CASE YOU NEED IT LATER



YOUR SAFETY MATTERS

Please read through completely before using your XO Unit

To prevent damage to the door gasket, the door must be opened all the way before pulling shelves out.

The appliance must be positioned so that the plug is accessible.

Empty your XO unit before attempting to move the appliance. Moving while loaded may damage or distort the frame.

The compressor will get HOT during operation / touching it may cause injury.

During installation follow all safety tips provided in this manual / appropriate safety equipment such as safety glasses and work gloves should be worn.

Two people should move or lift your XO unit to prevent injury or damage.

Remove all interior and exterior packing materials prior to installation and dispose of properly.

Never cover the bottle racks with foil or other material which will impede internal air circulation.

For maximum efficiency, keep the door tightly shut unless loading or unloading and never overload your XO unit.

Before installing, allow your XO unit to sit upright for 2 hours at the install site. This will allow the cooling system to stabilize after transportation. Failure to follow this step may cause problems.

Never store perishable food products such as meat or cheese in your wine cooler or beverage center.

Location

Your XO unit should be located away from direct sunlight and heat sources (stove, heaters, etc.) which may increase electrical consumption. High or low ambient temperature may cause units to work improperly.

The floor must be strong enough to support your XO unit fully loaded.

Your XO unit must not be installed in areas of where water or excessive moisture are present.

Your XO unit must not be installed near where flammable, corrosive or hazardous materials are present.

Your XO unit's final installation must observe the correct minimum air clearances around and behind the unit to ensure adequate ventilation. In addition, all ventilation openings must be kept clear and free of obstructions, failure to do so will result in damage to the unit.

WARNING

NEVER use external heat sources to accelerate defrosting

NEVER permit unauthorized service or modifications to your XO unit

NEVER tamper with the sealed refrigerant system - this unit uses R600A Refrigerant which is flammable.

It should never be used in the vicinity of any flammable or explosive ignition sources.

ALWAYS FOLLOW THE ELECTRICAL SAFETY INSTRUCTIONS OUTLINED IN THIS MANUAL.

ELECTRICITY - THIS IS SERIOUS

Failure To Follow All Electrical Safety Measures May Result in Serious Injury, Fire Or Death

All electrical work should only be performed by an experienced, licensed electrician.

All XO units **MUST** be grounded for safe operation and come equipped with a 3 Prong molded cord/plug for that purpose.

NEVER remove or disable the 3rd prong with an adapter.



NEVER use an extension cord to operate your XO unit.



Your XO unit is built to operate on 115V 60Hz and should be plugged directly into a dedicated 15 amp 3 prong outlet. If you are uncertain as to the voltage, amperage capacity or if the 3rd prong is properly grounded - consult a licensed electrician.

To maximize the depth of the installation recess - your outlet should be mounted flush with the wall.

Your XO unit should not share the circuit with any other electrical devices as this may cause overloading, overheating, blown fuses or tripping circuit breakers. In a worst case this can pose a fire hazard.

NEVER handle your XO unit in wet conditions as this can pose a severe danger of electric shock.

Exercise care when moving your XO unit to avoid damage to the electrical cord. If the electrical cord of your XO unit becomes worn or damaged it must be replaced immediately by a qualified technician.

NEVER unplug your unit by pulling on the cord. Unplug by gripping the plug firmly and pull out straight from the outlet.

INDOOR USE ONLY:

XO Refrigerators, wine cellars and beverage centers described in this manual are rated for indoor use only.

Your XO Unit was designed to operate in a room temperature ambient condition between 60°F and 90°F.

Use in any area which is not temperature controlled within that range, such as a garage or porch may cause your XO unit to fail to function properly. Use in any uncontrolled area or otherwise exposed to the elements is hazardous and voids the warranty.

For outdoor installations - consult XO or your local XO dealer regarding an outdoor rated model.

In regions where high humidity exists condensation may appear on the glass and/or gasket seals. For best operation, keeping the unit fully stocked with product will reduce this.

SERVICE	115V - 60 Hz - 1 phase
AMPS	15 Amp Circuit Breaker

Requires a Dedicated Outlet

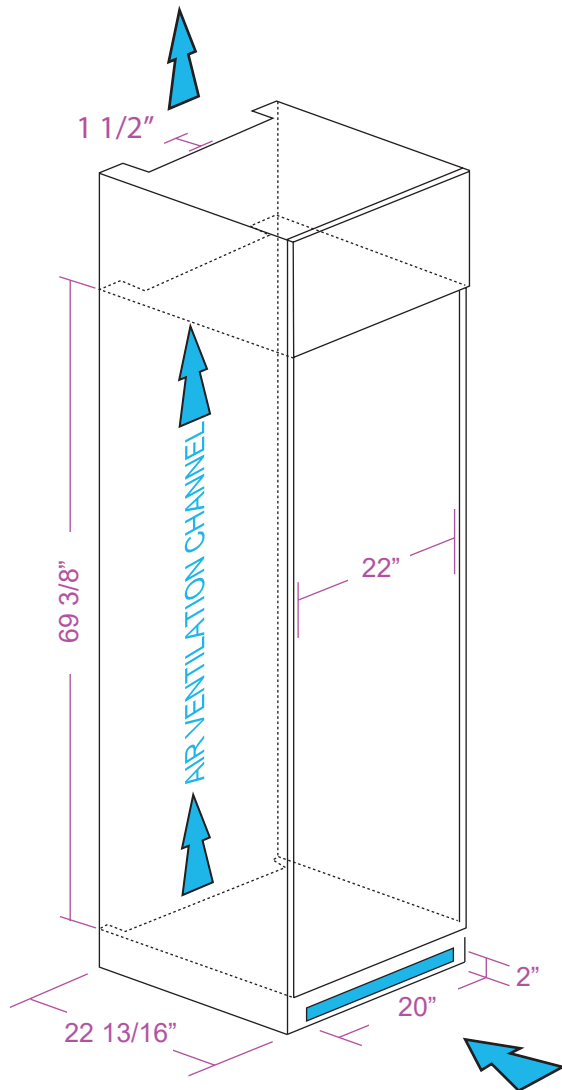
All electrical work must be performed by a licensed electrician

Serious injury, fire or death...
Okay -
You've got my attention!

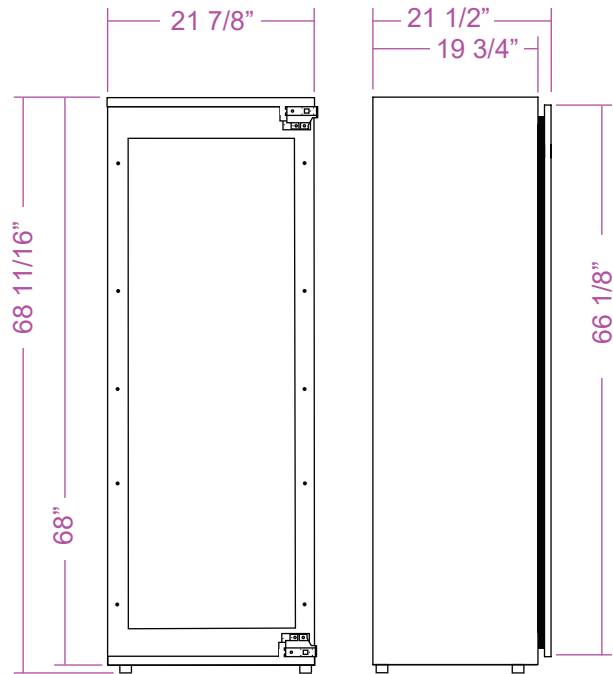
XO

A PERFECT FIT

BUILT TO BE BUILT-IN



OVERALL UNIT DIMENSIONS



PROPER VENTILATION

Your XO Wine Cabinet must be vented to operate properly. Air enters below the cabinet in the front, passes up behind the unit and exits at the top. The rear of the cabinet should remain completely open to maximize cooling air flow. It is imperative the 1 1/2" deep channel openings remain free of obstruction.

If a decorative grill is used to cover the toe kick vent, the open area of the grill must be larger than 31 sq in.

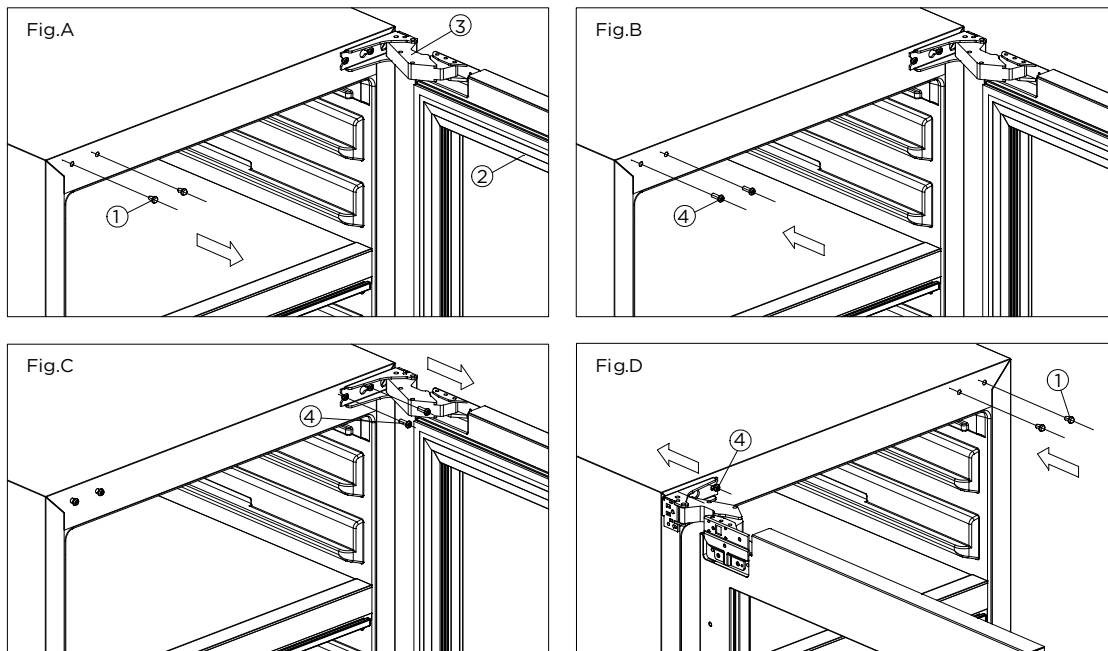
PLUMB, LEVEL AND SQUARE

The cabinet base for your XO Wine Refrigerator must be level and the cabinet sides and front must be properly squared for the unit to fit properly. Failure to square and level the cabinet and refrigerator cause problems with the unit's operation, prevent the door from sealing properly, result in a misalignment of the cabinetry and other issues. After the refrigerator is installed the leveling feet may be used to make minor adjustments.

REVERSING THE DOOR

WARNING: Do not attempt to reverse the door alone. This operation requires at least two people to be performed safely. The door is large, heavy and fragile. READ THESE INSTRUCTIONS COMPLETELY BEFORE BEGINNING - IF YOU ARE UNSURE ABOUT PROCEEDING, STOP AND CALL FOR SERVICE.

Your XO arrives with a right hand hinged door - but it is easily to reverse if you choose. To reverse the hinge on your unit, follow the directions below:



1. Screw hole covers 2. Door 3.Hinge 4.Screws

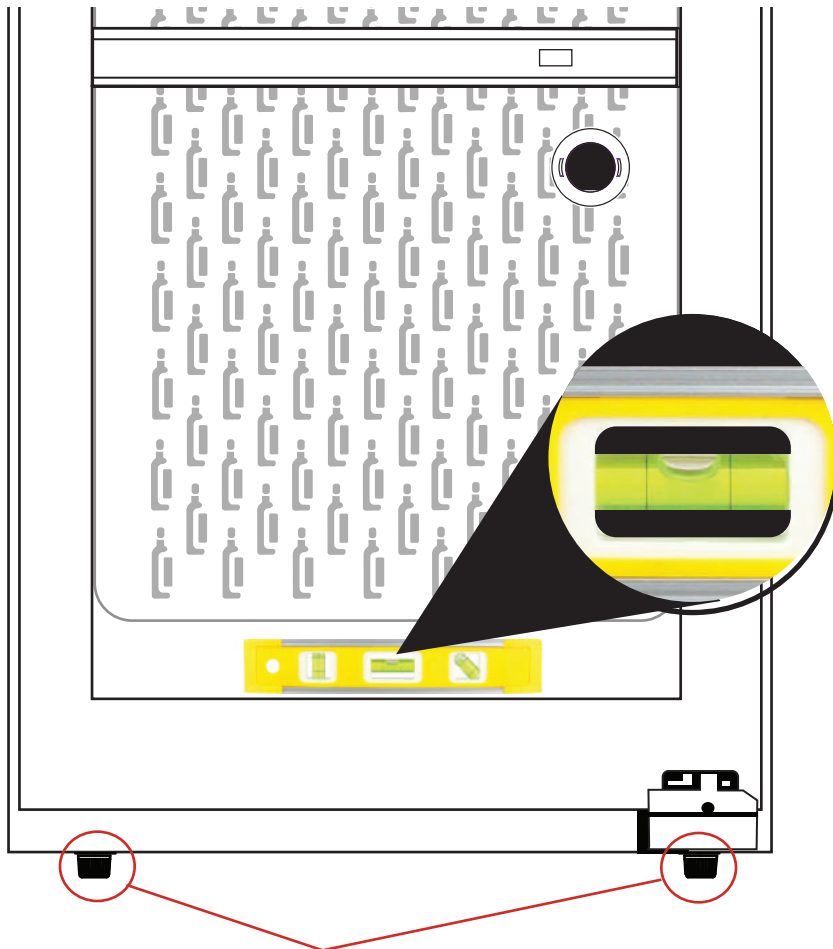
**BEFORE BEGINNING, REMOVE THE RACKS & LAY THE UNIT FLAT ON ITS BACK.
TEAM LIFT - THIS REQUIRES TWO OR MORE PEOPLE.**

1. Open the door and remove the screw hole covers (1) on the left hand side as shown in Fig A.
2. Start screws into these positions as per Fig B, but do not tighten the screws.
3. Remove all screws from both the upper and lower hinge, and then remove the door.
4. Rotate the door 180 degrees, (top to bottom) and place the hinges onto the screws (4) in Fig B. Slide the slots of the hinge until fully seated against the screws, then tighten the screws to secure the hinges (Fig D).
5. Place the screw hole covers in the right hand side screw holes as shown in Fig D.

IT'S LIKE ZEN - BUT COOLER

GET YOUR LEVEL OUT

DO NOT NEGLECT THIS IMPORTANT STEP

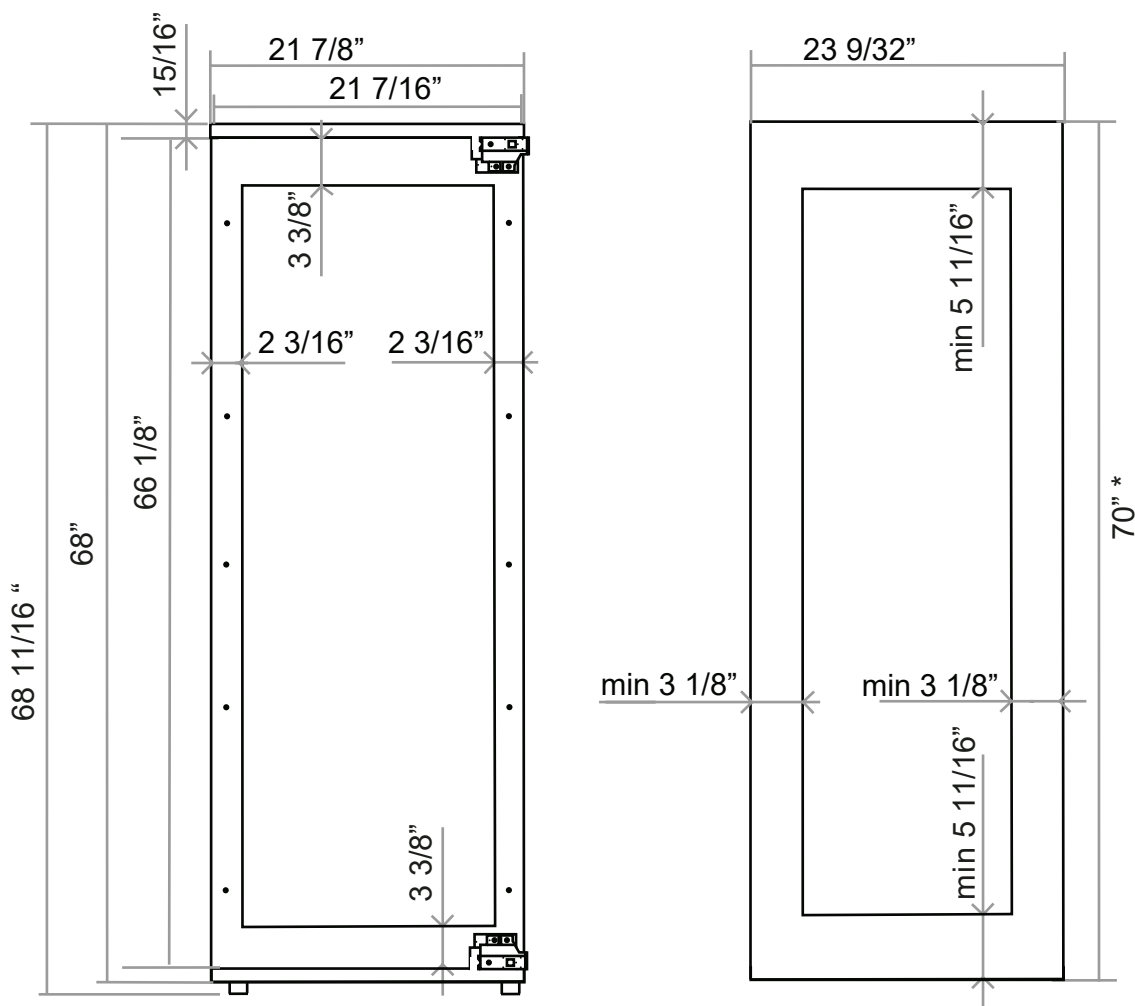


Rotate to raise or lower the **LEVELING LEGS** located at each of the four corners until all four legs are seated firmly on the floor and the interior floor of the unit is level **both front to back and side to side**.

Failure to follow this important step may cause problems with proper door operation, excessive condensation, vibration and noise.

LET'S FACE IT

WARNING: Do not attempt to reverse the door alone. This operation requires at least two people to be performed safely. The unit is large, heavy and fragile.



Once the door (hinge) orientation is correct and the refrigerator is leveled and secured in the cabinet - it is time to mount the overlay panel.

Prepare your overlay panel using the guidelines shown here. Dimensions may be adjusted to accommodate your cabinetry but the panel cannot exceed 40lbs in weight and cannot be more than $13/16$ " thick.

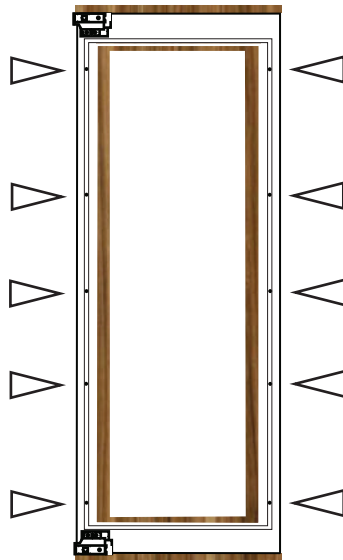
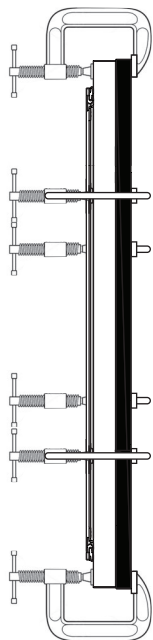
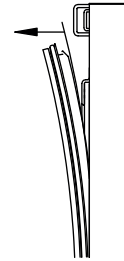
To minimize warping the panel must be finished on both sides.

*The height dimension will vary to match up with other cabinet doors.

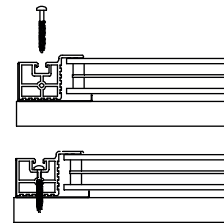
LET'S FACE IT

BEFORE BEGINNING: Attach any handle hardware before mounting the panel to the door frame.

1. Fully open the door and starting at one corner pull the gasket out of the gasket channel.
2. After removing the gasket lay it out on a flat surface to retain its shape.
3. Using clamps to hold it securely in place, position the overlay panel against the door.
4. Using the frame as a guide, drill ten (10) pilot holes $1/8"$ (3mm) in dia. into the finish panel taking care not to drill through the panel.
5. Using ST4-30 self-tapping screws, fasten the panel to the door frame.
6. Beginning at one corner, re-install the rubber door gasket into the gasket channel.



Mounting screw holes are located in the gasket channel behind the gasket.

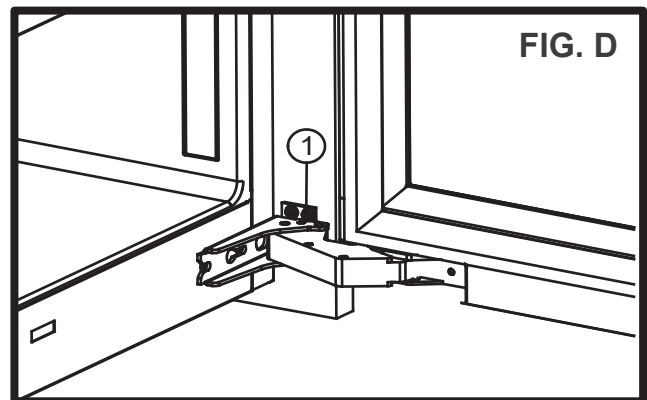
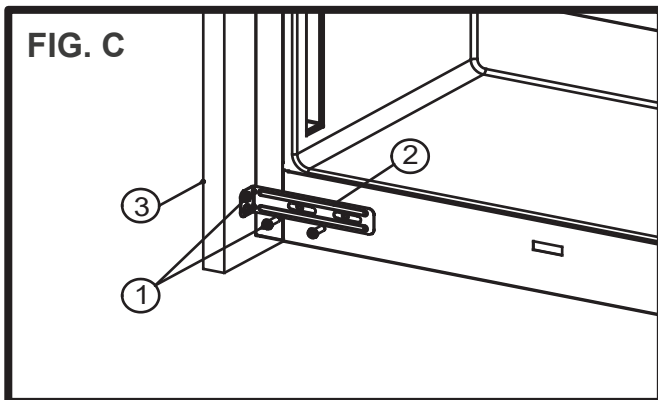
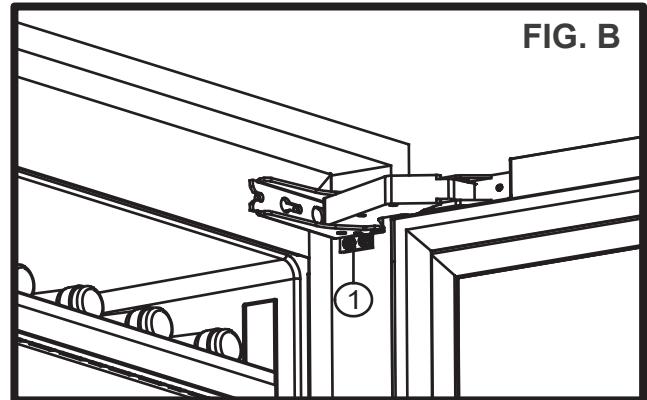
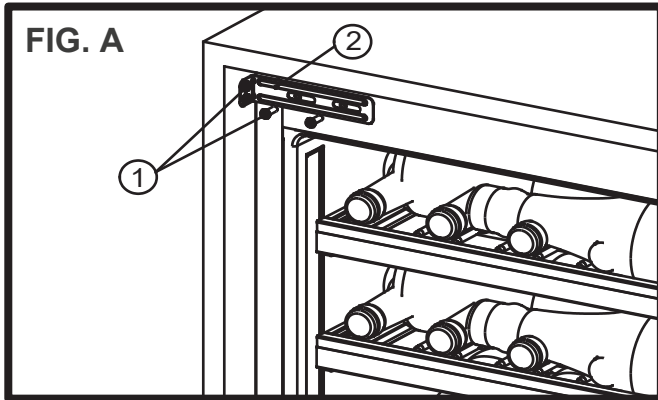


Do Not Over-Tighten

IMPORTANT NOTE: The back of the panel must be finished to prevent warping and cracking.

NO TIPPING

INSTALLING ANTI-TIPPING MEASURES

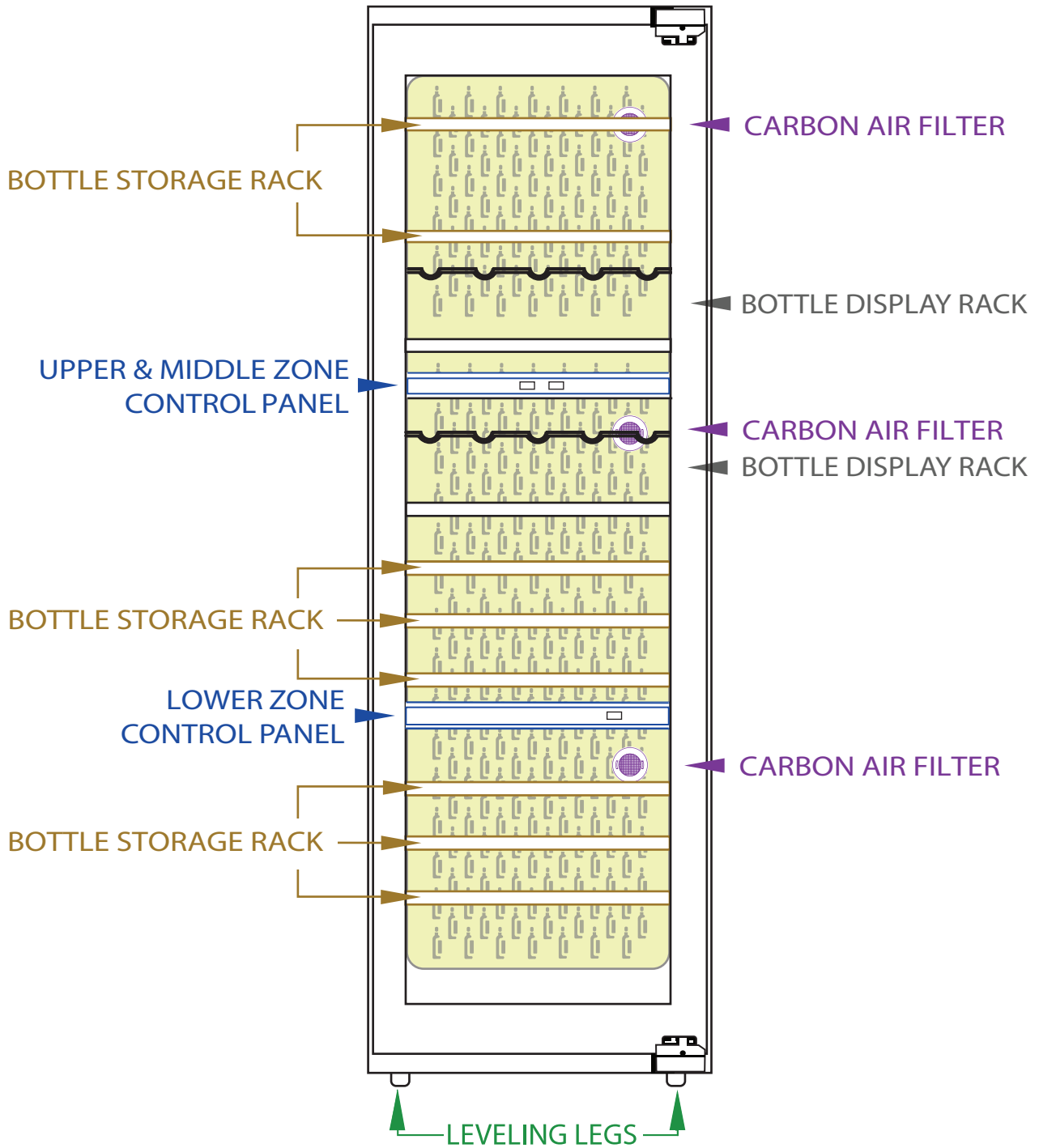


To prevent the wine refrigerator from accidental tipping, it fastens to the cabinetry in four (4) locations.

The articulating hinges each have screw down tabs to enable them to be screwed to the side walls of the cabinetry. See Figures B & D.

Included with the unit are also two (2) Anti-Tip brackets which install in the upper & lower corners on the handle side. See Figures A & C. Each bracket attaches to the face of the refrigerator with two (2) screws. Don not tighten the screws completely allowing each bracket to slide sideways. Push each bracket outward and fasten to the cabinet wall. Then tighten the screws holding each bracket to the front of the refrigerator cabinet.

MEET YOUR XO



TRIPLE ZONE CONTROL

REQUIRES TWO CONTROL PANELS

UPPER PANEL: Controls all functions and temperature in the upper and middle zones



Each zone has its own temperature control and is designated by the icon above the display.



Press the \pm to raise the zone temperature 1° at a time. When the upper limit is reached, it reverts to the lowest setting.

 **UPPER**
41° - 64°

 **MIDDLE**
41° - 50°

 **LOWER**
50° - 64°



ON/OFF
Press & hold 1 Sec to turn on.
Press and hold 3 Sec to turn off



ALARM INDICATOR
Illuminates when the unit is in an alarm state



PANEL LOCK
Press & hold 3 Sec to activate or deactivate



COOLING INDICATOR
Illuminates when the unit is currently cooling



LIGHTING FUNCTIONS BUTTON
Toggles between lighting options



OPERATING MODE BUTTON
Toggles between operating modes



L1
Door open light on
Door closed light off



STANDARD MODE
All standard cooling, alarm & lighting functions active



L2
Light on continuously
Dims after 3 Min



ECO MODE
LED display, control & interior lights are off, 5 Min compressor delay



L3
Light remains on for 10 Min
Then shuts off



INTELLIGENT MODE
Fans modulate speed to reduce noise & save energy



BRIGHTNESS FUNCTION
Hold for 3 Sec - Begins flashing
Use \pm keys to adjust lighting

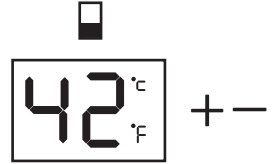


DEMO MODE
Compressor, PTC heater & HI/LO alarm disabled, fan reduced to 9V

TRIPLE ZONE CONTROL

REQUIRES TWO CONTROL PANELS

LOWER PANEL: Controls temperature in the lower zone



Each zone has its own temperature control and is designated by the icon above the display.



Press the \pm to raise the zone temperature 1° at a time. When the upper limit is reached, it reverts to the lowest setting.

 UPPER
41° - 64°

 MIDDLE
41° - 50°

 LOWER
50° - 64°

CAPACITIES

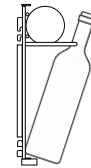
HOW MUCH CAN MY UNIT HOLD

Wine bottles come in a host of different sizes and shapes. The following is provided as a general guideline, wine bottles are assumed to 750ml / Bordeaux style unless otherwise noted.

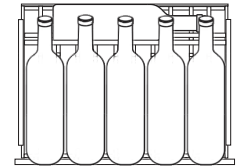
WINE DISPLAY RACKS

These racks prominently display (5) 750ml Bordeaux style bottles with the ability to hold one more behind.

Your XOU2470WTZGO has (2) display racks - one each in the upper and middle zone.



SIDE

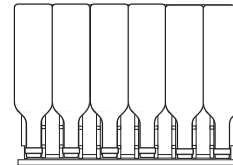


TOP

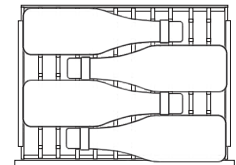
WINE STORAGE RACKS

Wine storage racks can hold up to (6) 750ml Bordeaux style bottle, aligned front to back, or larger champagne bottles aligned side to side.

Your XOU2470WTZGO has a total of (8) wine storage racks.



TOP

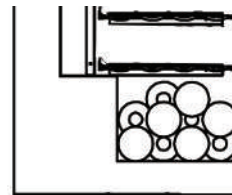


TOP

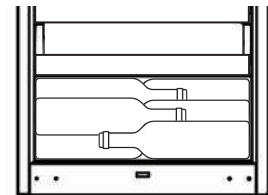
BOTTOM STORAGE

Your XOU2470WTZGO has the ability to store additional bottles in the base, below the bottom wine rack.

Shown right, (10) 750ml Bordeaux bottles stacked side to side.



SIDE

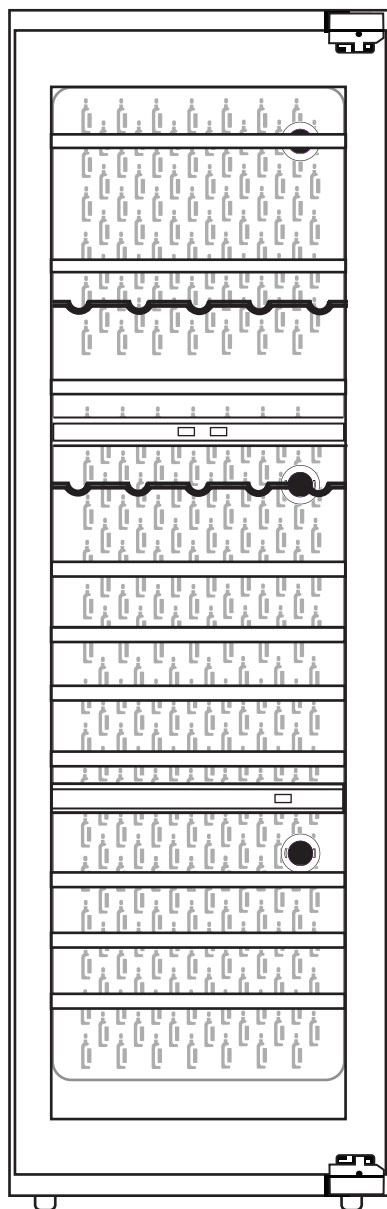


FRONT

Store wine in sealed bottles only
Avoid overloading
Storing little or no product can cause excessive condensation

CAPACITIES

HOW MUCH CAN MY UNIT HOLD



	BORDEAUX	or	CHAMPAGNE
Shelf 1	6		4
Shelf 2	6		4
Shelf 3	6		
Shelf 4	6		
Shelf 5	6		4
Shelf 6	6		4
Shelf 7	6		4
Shelf 8	6		4
Shelf 9	6		4
Shelf 10	6		4
Shelf 11	6		4
Shelf 12	6		4
Shelf 13	6		4
Shelf 14	6		4
Shelf 15	10		

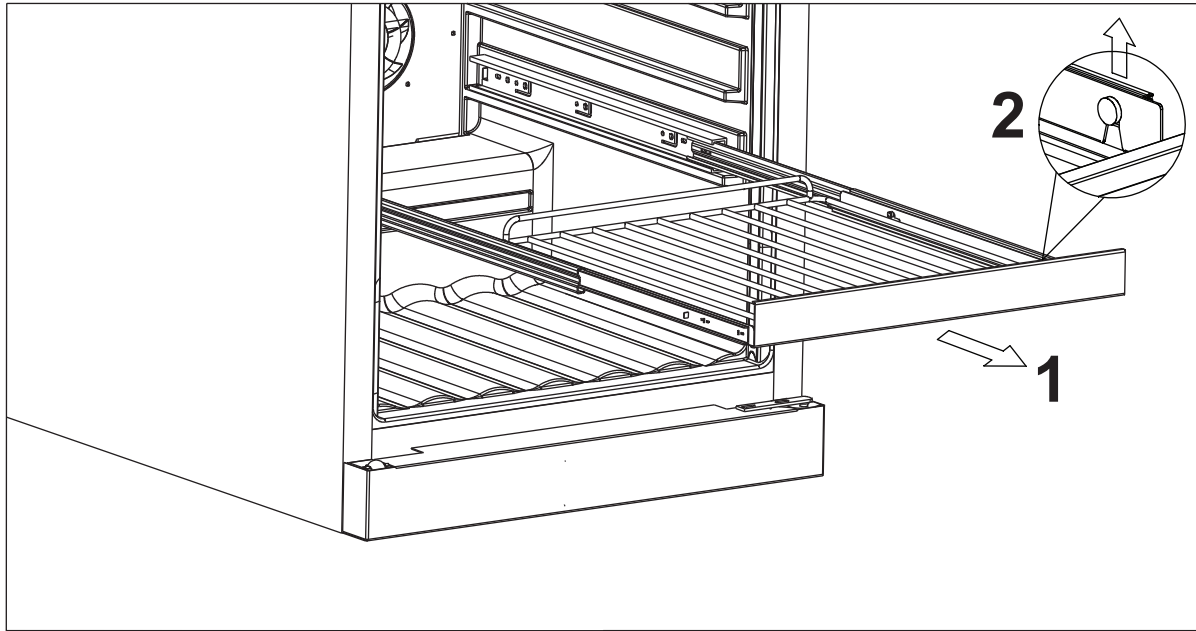
3 ZONE WINE

HOLDS UP TO (70) 750ml BORDEAUX STYLE BOTTLES

Assumptions are taken regarding bottle / can size and shape.
Values are max loading estimates.

JUGGLING SPACE

IS EASY WITH XO



1. Fully extend the rack you wish to remove,
2. Lift the front of the rack up to remove from the front clips,
3. While holding one of the telescoping glides, push the rack in and pull up at the back to release it from the rear clip.
Repeat with the other side to complete disconnecting the rack.

**ALL RACKS MUST BE PUSHED ALL THE WAY IN BEFORE CLOSING THE DOOR
DOOR MUST BE FULLY OPENED BEFORE PULLING RACKS OUT**

A LITTLE TLC GOES A LONG WAY

Cleaning the Inside:

Walls, floor, inside window, and shelves - Some water deposits and dust can be removed with a dry paper towel, others may require a damp cloth.

Cleaning the Outside:

Outer case - It is important to keep the area clean where the door seals against the cabinet. Clean this area with a soapy cloth. Rinse with a damp cloth and let dry.

Control Panel and Door - Wipe with a damp cloth and dry thoroughly. Do not use cleaning sprays, large amounts of soap and water, abrasive, or sharp objects on the panel, they can damage it.

CAUTION: Some paper towels may also scratch the control panel and glass on the door.

Door Surface - Use only mild, non-abrasive detergents applied with a clean sponge or soft cloth. Rinse well with damp cloth.

NOTE: Do not use cleaners containing ammonia or alcohol on your XO unit. Ammonia or alcohol can damage the appearance of the appliance.

NOTE: Never use any commercial/abrasive cleaners or sharp objects on any part of the wine cooler.

POWER FAILURE

Most power failures are corrected within a few hours and should not affect the temperature of your appliance if you minimize the number of times the door is opened.

If the power is off for a longer period of time, you need to take the proper steps to protect your contents.

VACATION

Short vacations: Leave the XO unit operating during vacations of less than three (3) weeks.

Long vacations: If the appliance will not be used for an extended period, remove all items and turn off the appliance.

Clean and dry the interior thoroughly. To prevent odor and mold growth, leave the door open slightly, blocking it open if necessary.

ENERGY SAVING TIP

The unit should be located in the coolest area of the room, away from heat producing appliances, and out of direct sunlight.

MOVING

Remove all items and securely tape down all loose items (shelves) inside your appliance

Turn the adjustable leveling legs all the way into the base to avoid damage

Tape the door shut and transport the XO unit securely in the upright position

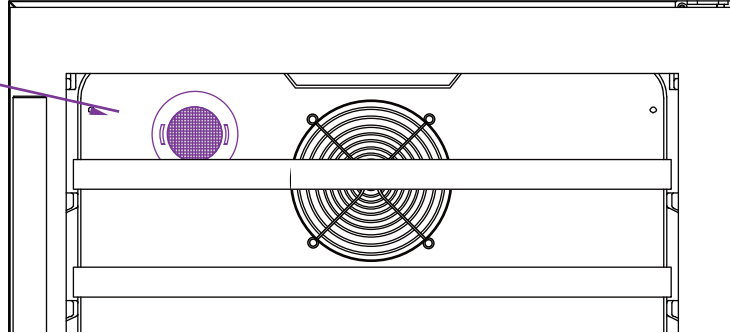
Blanket wrap the exterior to help protect against scratches and other damage

A BREATHE OF FRESH AIR

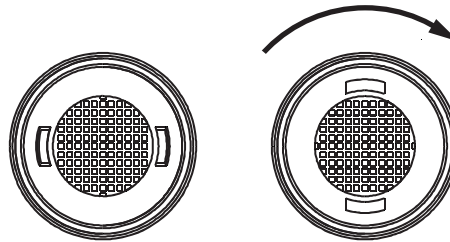
NOTE: Not all models are equipped with XOUAIRFILTER

The location of the Air Filter will vary according to model

P/N: XOUAIRFILTER

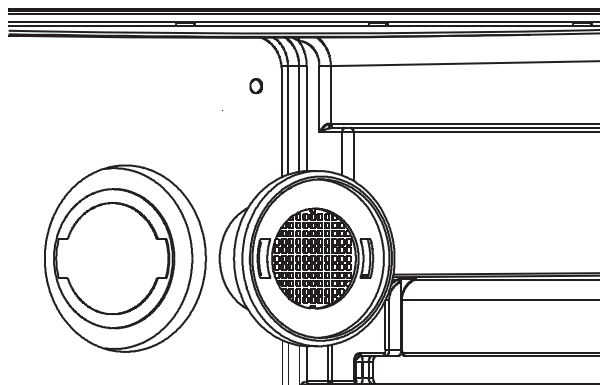


Rotate the filter 1/4 turn to unlock

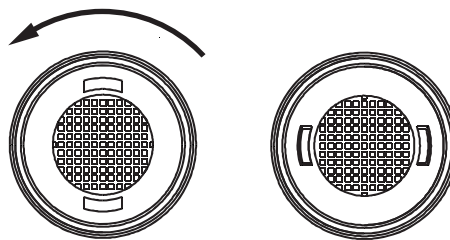


Pull straight out to remove

Align the tabs and insert the new filter



Rotate filter 1/4 turn to lock in place



FAQ'S

Q. There doesn't appear to be any power to the unit.

A. There are 3 easy to check common causes:

- (1) Check to see if a fuse has blown or circuit breaker has tripped & replace or reset.
- (2) Check to ensure the plug is fully inserted into the outlet.
- (3) A power surge may have caused the unit to shut down to protect itself - Unplug the unit, wait 5 seconds and plug it back in.

Q. The cabinet temperature is too high.

A. Check these 5 things:

- (1) Check the temperature setting and adjust as needed.
- (2) Make certain the door is completely closed and the door gasket is sealing properly.
- (3) Avoid opening the door frequently and/or leaving the door open for extended periods.
- (4) Did you load a large quantity of warm bottles at once? It is better to add smaller quantities in several loads.
- (5) Make certain nothing is blocking the toe kick vents (including dust behind the vents).

Q. The alarm is beeping and "HI" is displayed on the control panel.

A. See the question and answers above - if the door has been tightly closed and you have not recently added a large quantity of warm bottles, it may be a mechanical issue. Unplug the unit and call for service.

Q. The alarm is beeping and "LO" is displayed on the control panel.

A. This may be a sensor malfunction. Unplug the unit and call for service.

MORE "Q & A"

Q. Why does condensation form on the inside or outside of my XO unit?

A. It may be that the door is either opened repeatedly or not closed completely. It may also be due to an excessive ambient humidity, in which case it will clear when the humidity drops.

Q. There is warm air coming from the bottom of my unit.

A. This is normal. Cooling systems must vent the heat they remove from inside the cabinet.

Q. Why does the evaporator fan run all the time?

A. It continually recirculates air to ensure cabinet temperatures are consistent.

Q. How do I adjust temperature?

A. Refer to Page 16.

Q. How do I remove the wine racks?

A. Refer to Page 20.

Q. When does the high temperature alarm sound?

A. If internal temperature exceeds 73°F for more than 60 minutes.

Q. If the door hinge is next to a wall, how much clearance do I need to open the door?

A. The unit should be at least 2" from the wall to allow the door to open at least 90°.

WE'VE GOT YOUR BACK

90 DAY LOVE IT or LEAVE IT. For 90 Days all our products are backed by our unique Love it or Leave it Guarantee.

TWO-YEAR PARTS & LABOR LIMITED WARRANTY. XO warrants to the original purchaser of every new XO refrigerated unit, the cabinet and all parts thereof, to be free from defects in material or workmanship under normal and proper use and maintenance as specified by XO and upon proper installation and start-up in accordance with the instruction packet supplied with each XO unit. XO's obligation under this warranty is limited to a period of two (2) years from the date of original purchase.

FIVE-YEAR COMPRESSOR LIMITED WARRANTY. XO warrants its compressor to be free from defects in both material and workmanship under normal and proper use and maintenance service for a period of five (5) years from the date of original purchase. If the compressor fails during that time period due to a defect in material or workmanship, XO will supply a replacement compressor free of charge. The consumer will be responsible for all related transportation and labor costs. Product must be registered with XO to qualify for this warranty.

TERMS APPLICABLE TO EACH WARRANTY. Any part covered under the above warranties that is determined by XO to have been defective within the time frame is limited to the repair or replacement, including labor charges, of defective parts or assemblies. The labor warranty shall include standard straight time labor charges only and reasonable travel time, as determined by XO.

WARRANTY CLAIMS. All claims for labor or parts must be made directly through XO. All claims should include: model number and serial number of cabinet, proof of purchase, and date of installation. In case of warranted compressor, the compressor model tag must be returned to XO along with the above listed information.

WHAT IS NOT COVERED BY THIS WARRANTY. XO's sole obligation under this warranty is limited to either repair or replacement of parts, subject to the additional limitations below. This warranty neither assumes nor authorizes any person to assume obligations other than those expressly covered by this warranty. Open box, factory seconds, scratch and dent, floor models and commercial applications are excluded from these warranties. Consumer shall be responsible for labor and transportation costs where noted above.

NO CONSEQUENTIAL DAMAGES. XO is not responsible for economic loss, profit loss; or special, indirect or consequential damages, including without limitation, losses or damages arising from food or product spoilage claims whether or not on account or refrigeration failure.

WARRANTY IS NOT TRANSFERABLE. This warranty is not assignable and applies only in favor of the original purchaser/user at the original installation location. Any such assignment or transfer shall void the warranties herein made and shall void all warranties, express or implied, including any warranty or merchantability or fitness for a particular purpose.

IMPROPER USAGE. XO assumes no liability for parts or labor coverage for component failure or other damages resulting from improper usage or installation or failure to clean and/or maintain product as set forth in the warranty packet provided with the unit.

ALTERATION OR NEGLECT. XO is not responsible for the repair or replacement of any parts that XO determines have been subjected after the date of manufacture to alteration, neglect, abuse, misuse, accident, damage during transit or installation, fire, flood, or act of God.

IMPROPER ELECTRICAL CONNECTIONS. XO is not responsible for the repair or replacement of failed or damaged components resulting from electrical power failure, high or low voltage, use of extension cords, or improper grounding of the unit.

YOUR RIGHTS UNDER STATE LAW. This warranty gives you specific legal rights and you may have other rights that vary from state to state. Some states do not allow the exclusion or limitation of consequential damages or a limitation on how long an implied warranty lasts, so the above exclusion or limitation may not apply to you.

OUTSIDE U.S. This warranty does not apply to, and XO is not responsible for, any warranty claims made on products sold or used outside the 48 continental United States.

To obtain service:

Call 973-403-8900 | email service@xoappliance.com | or submit a request on our website
www.xoappliance.com



2023.04.18

