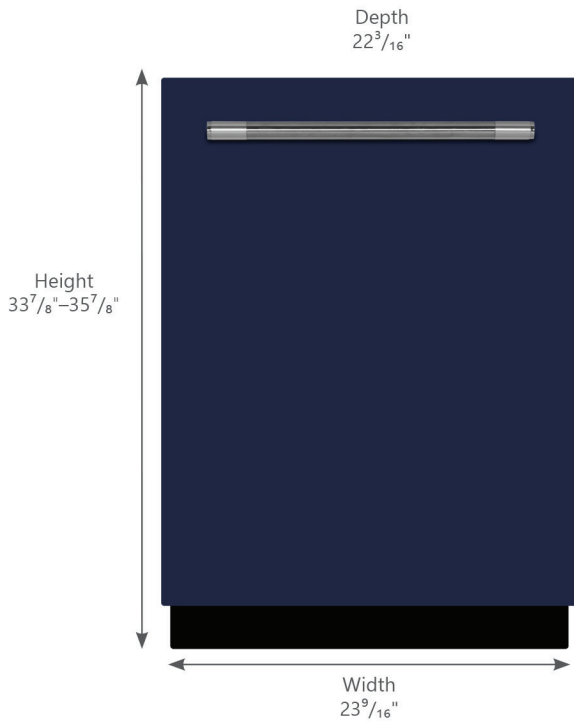




AGArangeusa.com

24" MERCURY BUILT-IN TALL TUB DISHWASHER

MODEL: **AMCTTDW**



MULTI-LEVEL WASHING

- Variable pressure wash adjusts water volume, pressure, and temperature according to load size and soil levels
- Multi-level washing with stainless steel bottom spray arm, upper spray arm and top nozzle ensures clean dishes
- Turbidity sensor monitors the soil level of the dishes for superior quality
- Triple filtration system removes the smallest particles for clean water circulation
- Flow-through water heater is concealed to provide a safer alternative to exposed heaters

CONDENSATE QUICK DRY

- Moisture condensates on the cooler stainless steel tank and door and drains to the sump area
- Quick and efficient drying

QUIET CLEAN™ PERFORMANCE PACKAGE

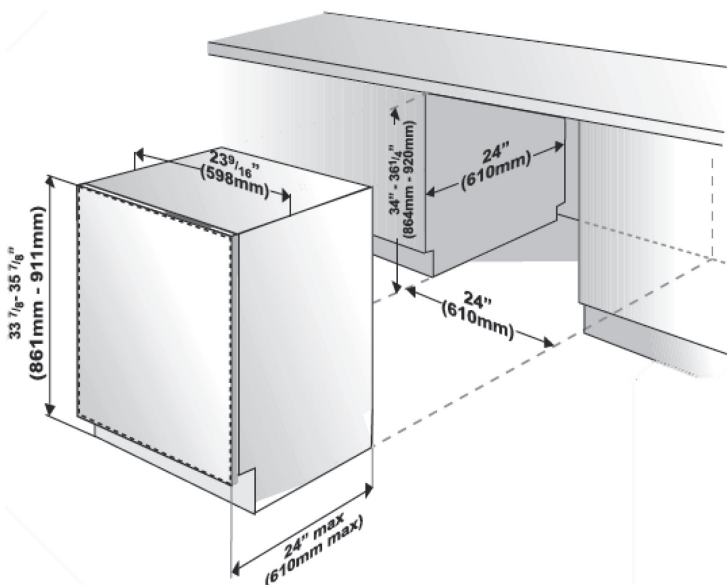
- Three layers of insulation – bitumen, cotton, and full side walls create one of the quietest dishwashers on the market

LOADING

- Accommodates 14 international place settings
- Industry-leading heavy gauge top and bottom dish baskets hold even the heaviest dishes
- Adjustable stemware shelves can be used for holding ladles or other small utensils
- Foldable tines provide versatility for the loading of pots, pans, and uniquely sized items in top and bottom racks
- Bottom rack has four and top rack has three split foldable tines with variable setting from flat to vertical
- Sliding cutlery basket can be moved horizontally to any position

FEATURES

- LCD screen with remaining time indicator
- Touch button direct access control
- Cycle indicator light on floor
- Energy Star Qualified
- Multiple Cycle Function Options: Express, Sanitize, High Gloss, Half Load & Delay Start



AMCTTDW includes AGA Mercury Door Panel Kit and Dishwasher FDWU324 (some assembly required)



AGArangeusa.com

24" MERCURY BUILT-IN TALL TUB DISHWASHER

TECHNICAL DETAILS

Overall Width	23-9/16" (59.8 cm)
Overall Height from Floor	33-7/8" (86.0 cm) minimum to 35 7/8" (91.1 cm) maximum
Overall Depth	To front of door panel: 22 3/16" (56.4 cm)
Cutout Width	24" (61.0 cm)
Cutout Height	34" (86.4 cm) minimum to 36 1/4" (92.0 cm) maximum
Cutout Depth	24" (61.0 cm)
Electrical Requirements	12.0 amps, 120V/60Hz; 4" (120cm) electrical cord with supplied with unit
Water-Heating Element Rating	1100 watts
Inlet Water Temperature	120°F (49°C) required
Drain Hose	6.4' (1.9m) drain hose provided
Drain Hose High Loop Required	Height from floor – 28" (71.0 cm)
Approximate Shipping Weight	94 lb. (42 kg)

Please do not prepare installation from brochure data only. See installation instructions for important clearance/installation information.

WARRANTY

· 1 Year limited warranty on all parts and labor

FINISHES

NOTE: Colors not in stock could have a 4-12 week lead time (check for availability)



BLUEBERRY



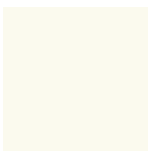
GLOSS BLACK



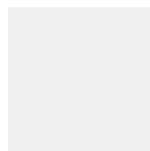
MATTE BLACK



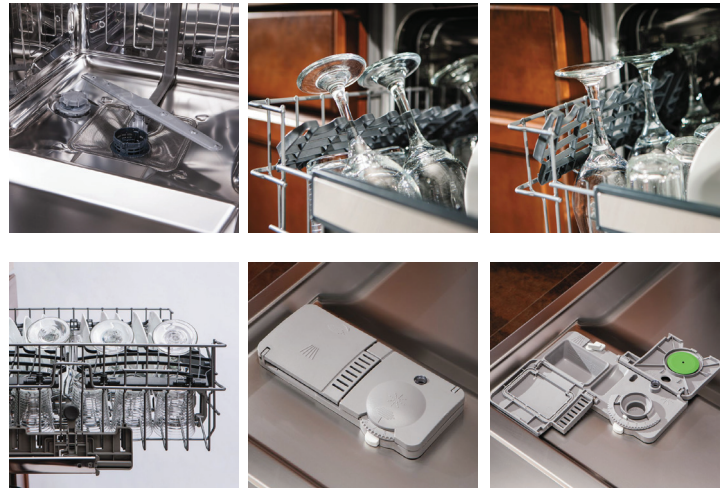
STAINLESS STEEL



OYSTER



SNOWDROP



AMCTTDW includes AGA Mercury Door Panel Kit and Dishwasher FDWU324 (some assembly required)