



XOU24BCSF

24" UNDERCOUNTER BEVERAGE CENTER

24" UNDERCOUNTER BEVERAGE CENTER



XOU24BCSF

- Glass Shelves Fully Extend While Loaded
- Holds Up To 145 (12oz) Cans
- Shelves Adjust To 15 Different Positions
- Tri-Color LED Interior Lighting

24" UNDERCOUNTER BEVERAGE CENTER

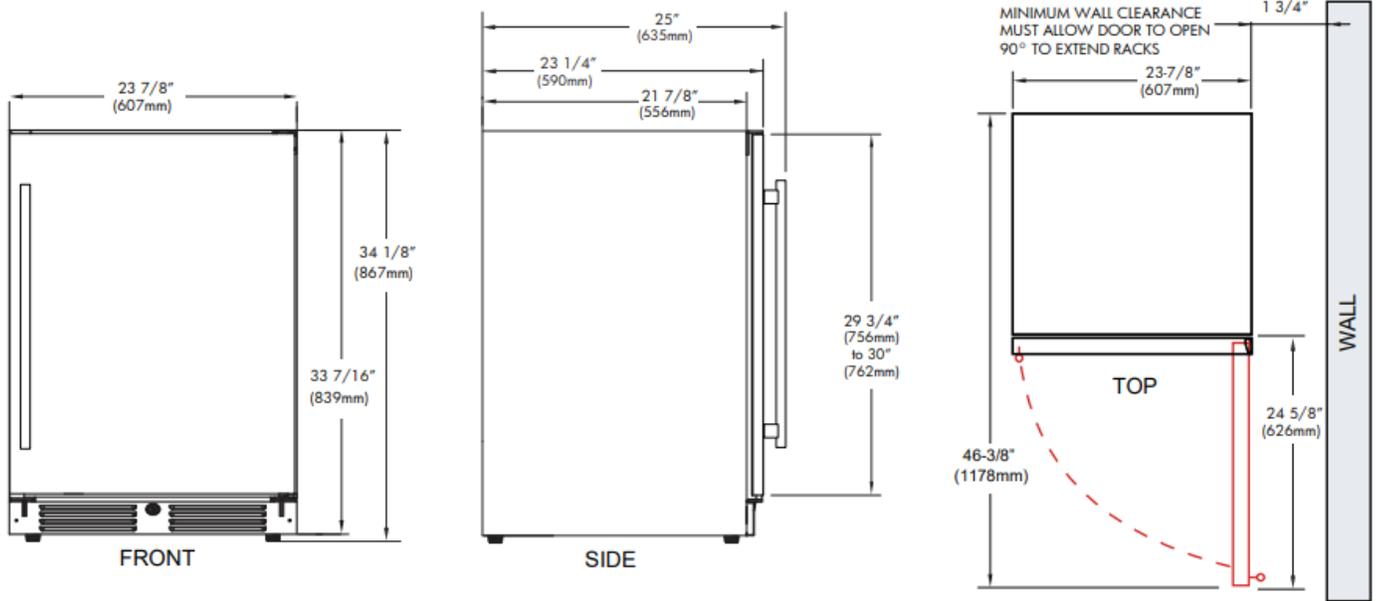
Store up to 145 (12oz) cans at a frosty 34° to 50° F and still find just what you are looking for. The clear glass shelves fully extend while fully loaded enabling you to see the entire contents at a glance. No more fumbling around or emptying the unit to find what you want.

And because beverages come in all shapes and sizes, the shelves of your XO beverage center can quickly adjust to 15 different positions.

WORLD CLASS SERVICE | COMPREHENSIVE WARRANTIES

OUR LASTING COMMITMENT TO YOU

*Specify **R** for right hand hinge - or - **L** for left hand hinge



FEATURES

SPECIFICATIONS

CAPACITY

Full extension clear glass shelves hold 145 (12oz) cans at 34° to 50°F

FEATURES

- Zero clearance hinges for flush integration*
- Secure door lock
- Non- reversible door - specify right or left hinge
- Library quiet 39 dBA operation
- Elegant tri-color interior illumination
- Removable 6 bottle wine rack
- Intuitive digital touch controls
- 6-1/2' Power Cord with low profile 90° flat plug
- Low E Glass blocks harmful UV light
- Alarm Functions
- Energy Saver and Sabbath Mode

* Note: zero clearance hinges are visible just above and below the door panel

ELECTRICAL 120V 60HZ 4.35 AMP*

DIMENSIONS
 H 34 1/8"
 W 23 7/8"
 D 23 1/4"

ROUGH IN
 H 34 1/4" min
 W 24"
 D 24"

REFRIGERANT R600A



Two Different Style Handles Included



Includes Removable 6 Bottle Wine Rack

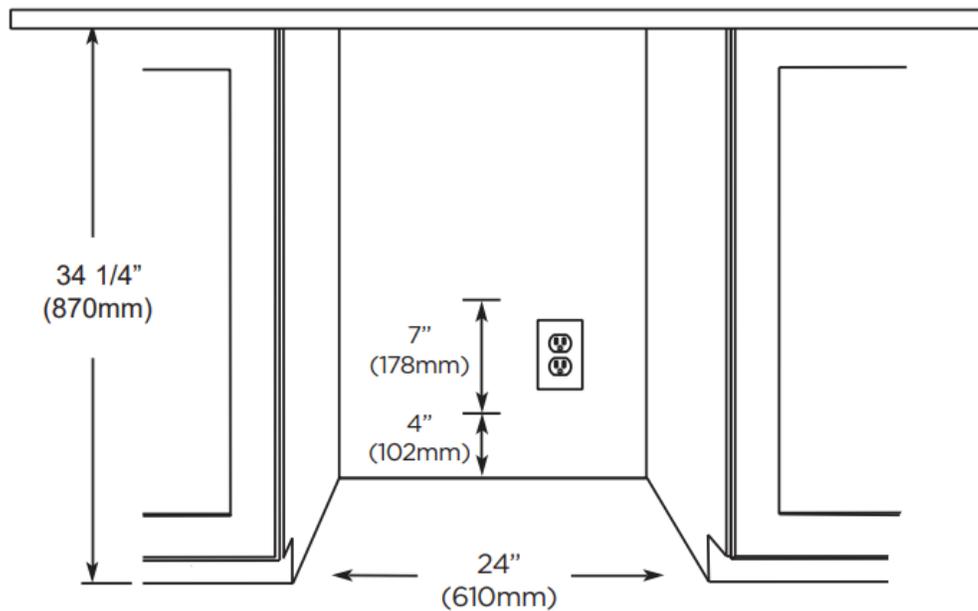
NEW



Optional Modern Design Flat Handle



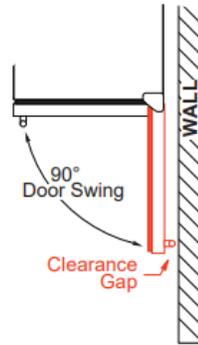
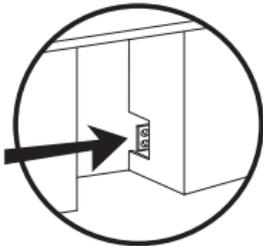
ROUGH IN DIMENSIONS



ALL XO UNDERCOUNTER
UNITS ARRIVE PRE-WIRED
WITH LOW PROFILE PLUGS
FOR EASY INSTALLATION



NEED MORE SPACE -
CUT INTO AN ADJOINING
CABINET TO REACH AN
OUTLET THERE



WHEN INSTALLING WITH
THE HINGE SIDE NEXT TO A WALL -
LEAVE 1-3/4" CLEARANCE GAP FOR
CABINET HANDLES

DOOR MUST BE ABLE TO OPEN
A MINIMUM OF 90°.

IF THE DOOR CANNOT OPEN FULLY
YOU CANNOT EXTEND THE SHELVES.

CONSULT THE MANUAL FOR
INSTRUCTIONS ON CHANGING
THE DOOR STOP SETTING.