



**XOU24WDZGOA**

24" UNIVERSAL DUAL-ZONE WINE COOLER

ADA COMPLIANT UNDERCOUNTER REFRIGERATION



**XOU24WDZGOA**

- Fits US / European / ADA
- Articulating Hinge
- Handleless
- Adapts for European Toe Kicks/ Plinth

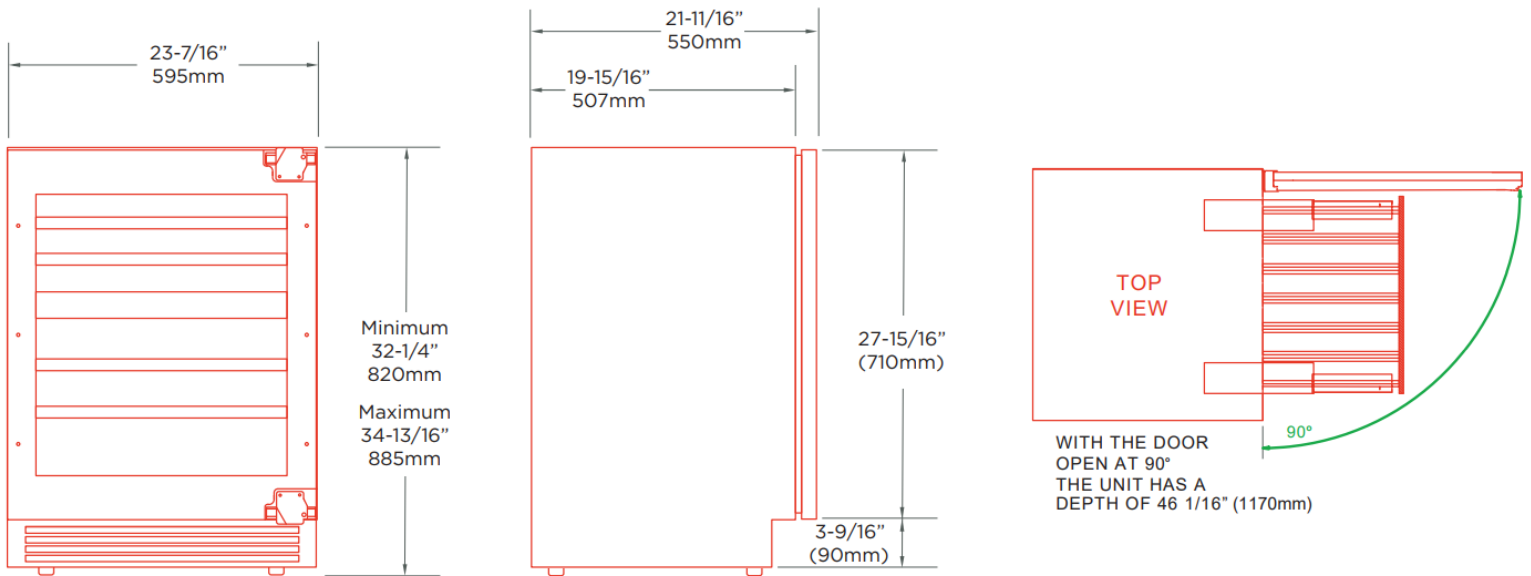
Keep 12 Bottles In The Upper Zone Ready To Serve At 41° To 50°F While Up To 21 Bottles Are Stored In The Lower Zone At 50° To 64°F

This elegant and efficient dual zone wine storage and serving center is the perfect choice for convenient entertaining. Keep both red and white wine close at hand with easy undercounter installation. Your XO dual zone wine cooler gives you the best of both worlds. When it's all about the wine - it's all about XO.

WORLD CLASS SERVICE | COMPREHENSIVE WARRANTIES

OUR LASTING COMMITMENT TO YOU

Unit Has Field Reversible Door

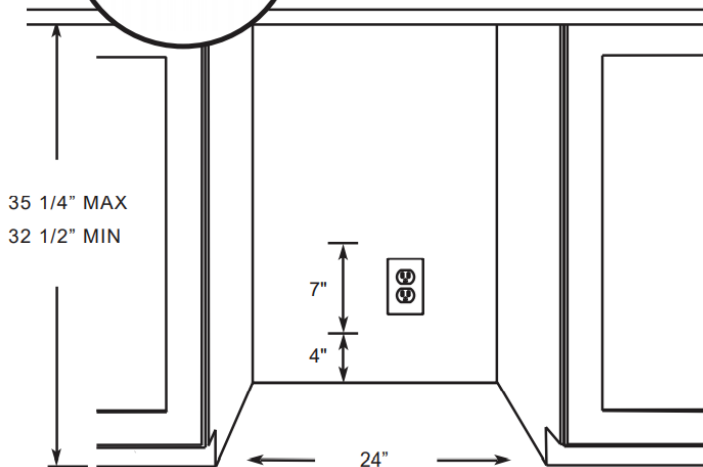


## ROUGH IN

## SPECIFICATIONS



THE 6' FLAT PLUG POWER CORD SUPPLIED ON YOUR XO WINE COOLER ENSURES AN EASY FLUSH INSTALLATION



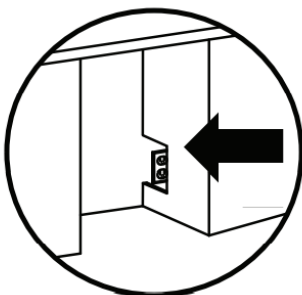
|                          |  |
|--------------------------|--|
| <b>Size</b>              | 24"  |
| <b>Dimensions</b>        | 23 7/16"W x 32 1/4"H x 21 11/16"D  |
| <b>Installation Type</b> | Built-in / Panel Ready   |
| <b>Refrigerant Type</b>  | R600a  |
| <b>Electrical</b>        | 115V 60Hz 1.5A<br>USE DEDICATED 15A CIRCUIT  |
| <b>Temperature Range</b> | <b>Lower Zone:</b> 50° - 64° F<br>HOLDS UP TO (35) 750ml BOTTLES<br><b>Upper Zone:</b> 41° - 50° F<br>HOLDS UP TO (16) 750ml BOTTLES |

### OPTIONAL ACCESSORIES

SS Door Panel P/N: XOU24ADASG

### Low-E Glass

\* The void between the twin layers of coated glass is filled with Argon, a harmless, natural, inert gas further improving their insulation value. In addition to reducing energy use - this limits the transmission of damaging sound, vibration and light, particularly UV light which can harm wine.



TIP: IN TIGHT INSTALLATIONS CUT THROUGH AN ADJACENT CABINET WALL TO REACH AN OUTLET INSTALLED THERE



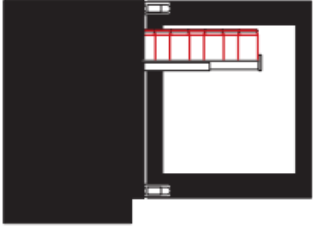
### NOW THAT'S COLD

ICY COLD BEVERAGES - NO PROBLEM. EASILY ADJUST TEMPERATURE TO SUIT YOUR PREFERENCES WITH THE DIGITAL CONTROL PANEL.



### ONE SIZE FITS ALL

ADA COMPLIANT | US STANDARD HEIGHT | EUROPEAN CABINETS



### SEE EVERYTHING AT A GLANCE

CLEAR GLASS SHELVES EXTEND FULLY WHILE FULLY LOADED MAKING EASY TO STORE AND FIND YOUR FAVORITE BEVERAGES.



### FAN CLUB

FILTERED, CONDITIONED AIR IS CIRCULATED TO HELP ENSURE A STABLE, UNIFORM TEMPERATURE.



**SELECTABLE INTERIOR LED LIGHTING IN:**  
THEATER WHITE  
MIDNIGHT BLUE  
HONEY AMBER

### LEDS ARE COOL

COOL RUNNING INTERIOR LEDES DRAMATICALLY ILLUMINATE YOUR BOTTLES WHILE SAVING ENERGY.

XO HAS THE BEST WARRANTIES AND SERVICE...



For 90 days, all our products are backed by our unique Love It or Leave It Guarantee

